



US00D904013S

(12) **United States Design Patent** (10) **Patent No.:** **US D904,013 S**
Nair (45) **Date of Patent:** **** Dec. 8, 2020**

(54) **HANDBAG** D834,811 S * 12/2018 Nair D3/232
D834,812 S * 12/2018 Nair D3/232
(71) Applicant: **MOYNAT PARIS SAS**, Paris (FR) D835,904 S * 12/2018 Nair D3/242
D882,249 S * 4/2020 Nair D3/232
(72) Inventor: **Ramesh Nair**, Paris (FR) 10,653,219 B2 * 5/2020 Camburn A45C 7/00
2008/0230157 A1 * 9/2008 Whiting A45C 13/02
150/104

(**) Term: **15 Years**

(21) Appl. No.: **35/507,934**

(22) Filed: **Jul. 23, 2019**

(80) **Hague Agreement Data**

Int. Filing Date: **Jul. 23, 2019**
Int. Reg. No.: **DM/204247**
Int. Reg. Date: **Jul. 23, 2019**
Int. Reg. Pub. Date: **Nov. 29, 2019**

(30) **Foreign Application Priority Data**

Feb. 27, 2019 (EM) 006269775-0004

(51) **LOC (12) Cl.** **03-01**

(52) **U.S. Cl.**
USPC **D3/242**

(58) **Field of Classification Search**
USPC D3/217, 232, 233, 239, 240, 241, 242,
D3/243, 245, 246, 276, 294, 324, 325
CPC A45C 3/06; A45C 13/10; A45C 13/26;
A45C 1/024; A45C 1/04; A45C
2001/108; A45C 13/1069; A45C 13/1076;
A44D 2203/00

See application file for complete search history.

(56) **References Cited**

U.S. PATENT DOCUMENTS

D522,746 S * 6/2006 Perella D3/276
D797,444 S * 9/2017 Nair D3/242
D798,048 S * 9/2017 Nair D3/242

OTHER PUBLICATIONS

This limited edition Moynat Paris bag takes six months to Make</u>, published in Lifestyle Nov. 11, 2019. viewed Sep. 14, 2020. Available online at URL: <https://www.thenational.ae/lifestyle/luxury/this-limited-edition-nnoynat-paris-bag-takes-six-months-to-make-1.936098>.*

* cited by examiner

Primary Examiner — Jennifer L Watkins

(57) **CLAIM**

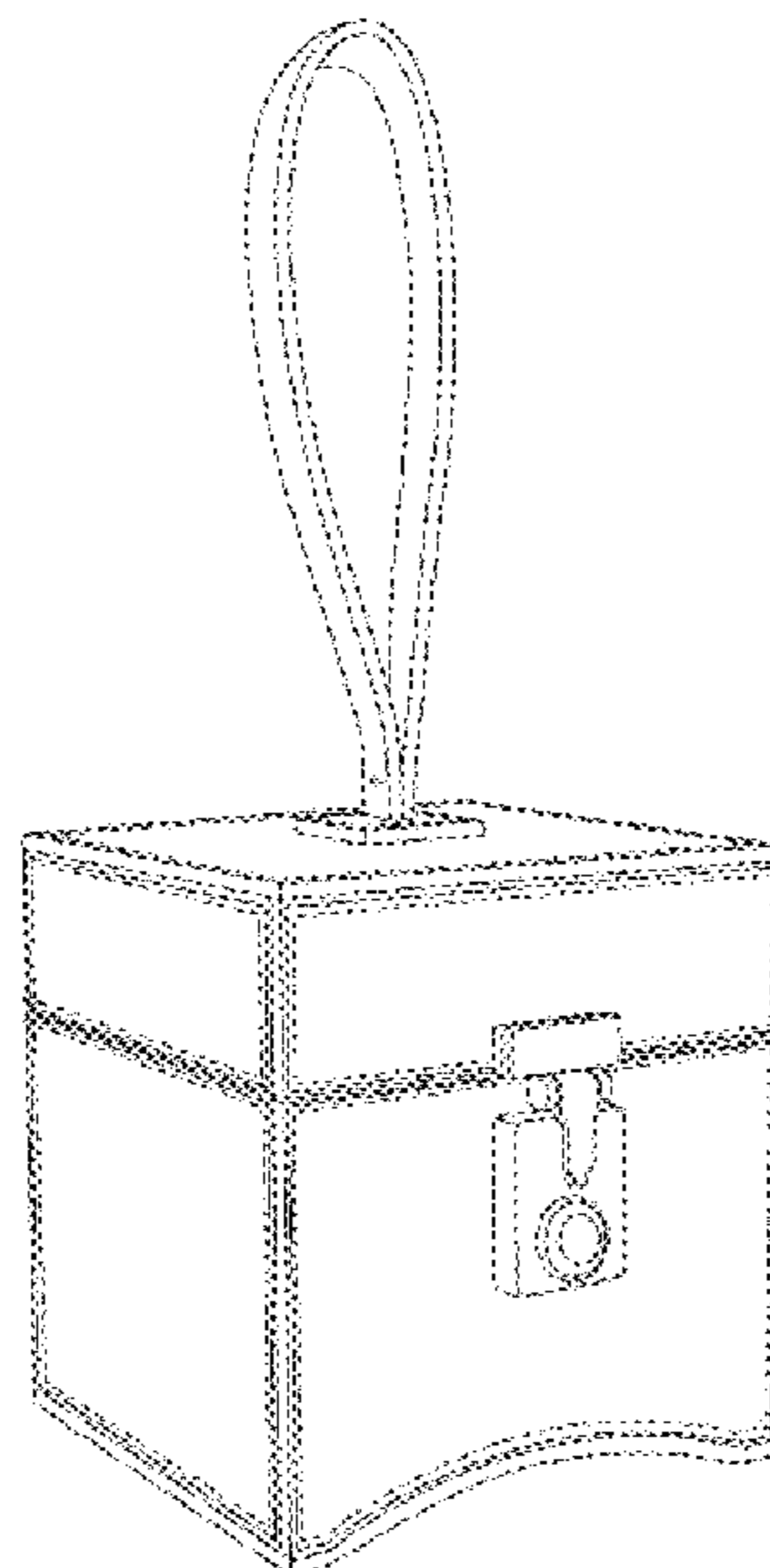
The ornamental design for a handbag, as shown and described.

DESCRIPTION

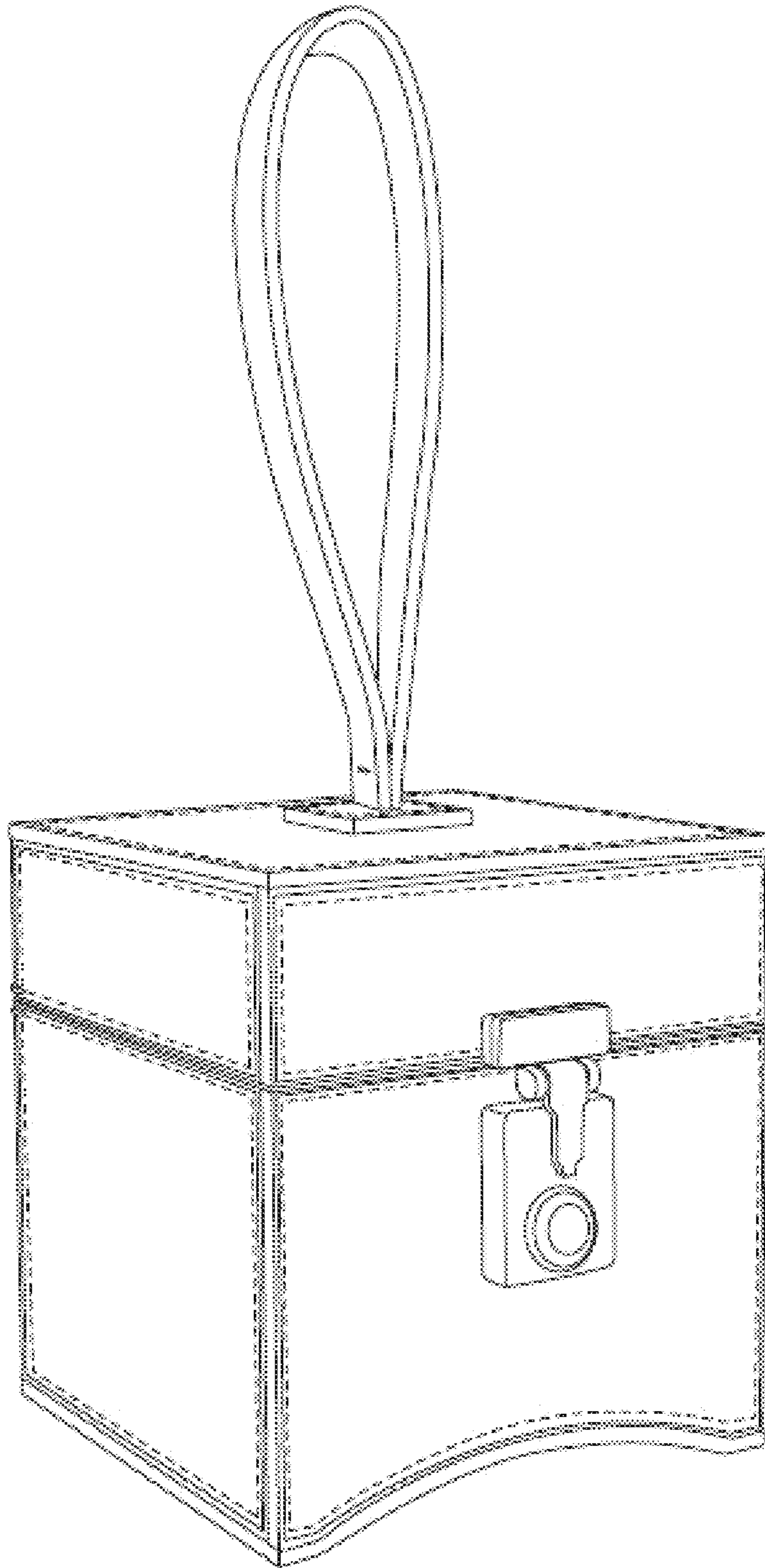
- 1. Handbag
- 1.1 : Perspective
- 1.2 : Front
- 1.3 : Back
- 1.4 : Left
- 1.5 : Right
- 1.6 : Top
- 1.7 : Bottom

The broken lines in the figures are for the purpose of illustrating claimed stitching; 1.1 is a perspective view of a handbag; 1.2 is a front view thereof; 1.3 is a back view thereof; 1.4 is a left side view thereof; 1.5 is a right side view thereof; 1.6 is a top view thereof; 1.7 is a bottom view thereof.

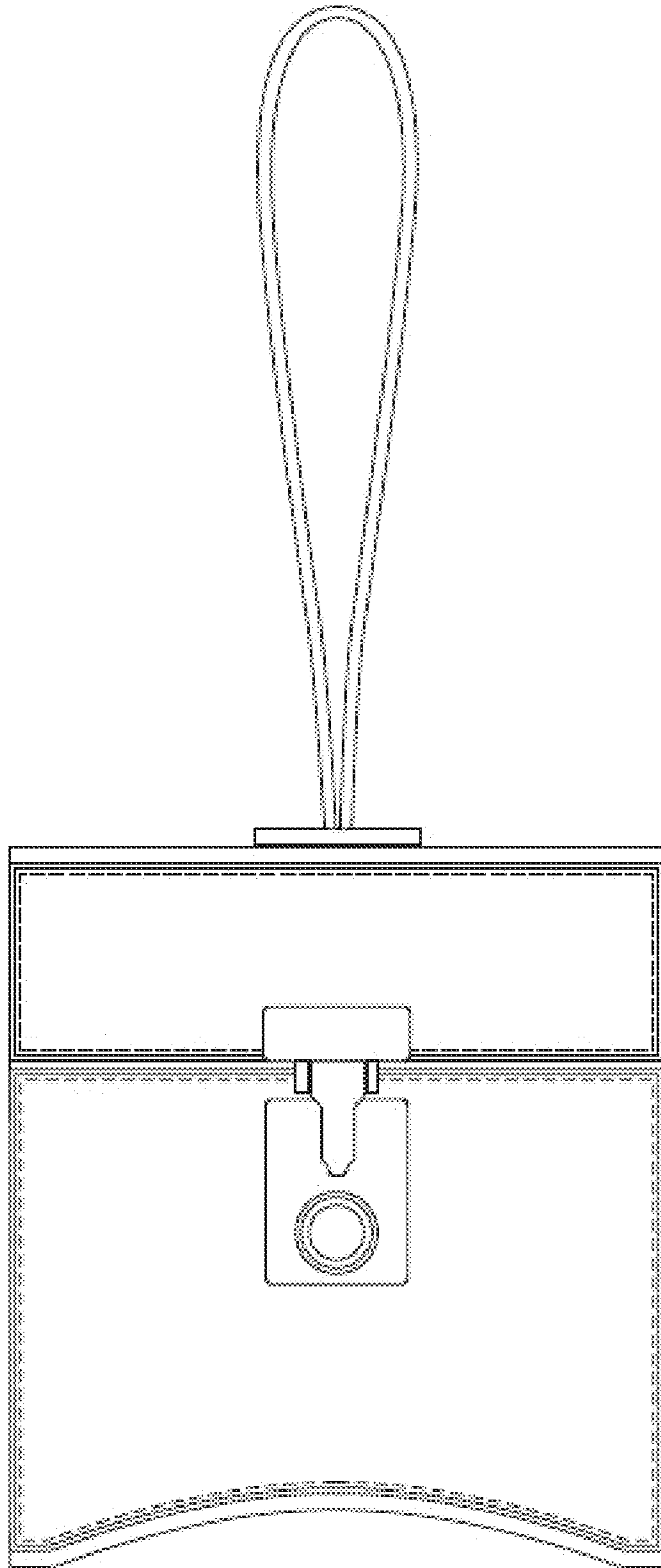
1 Claim, 7 Drawing Sheets



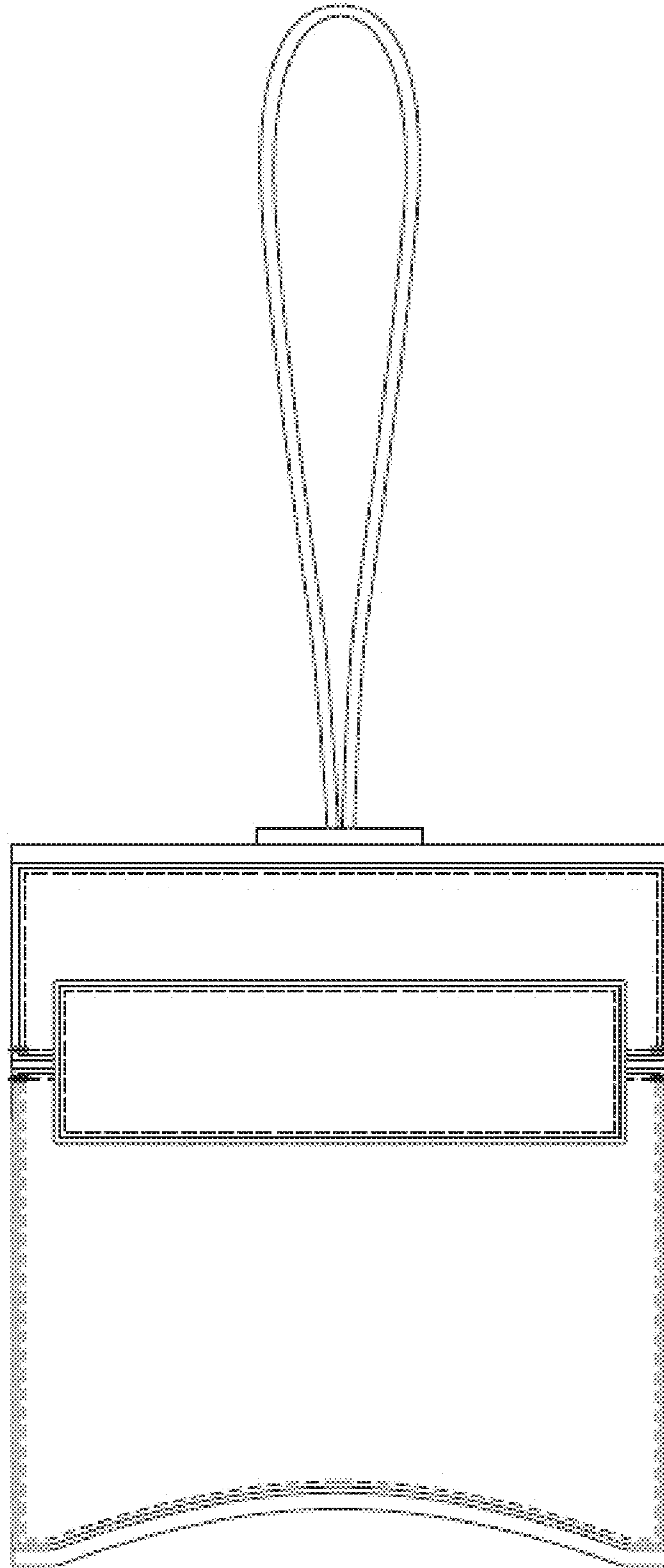
1.1



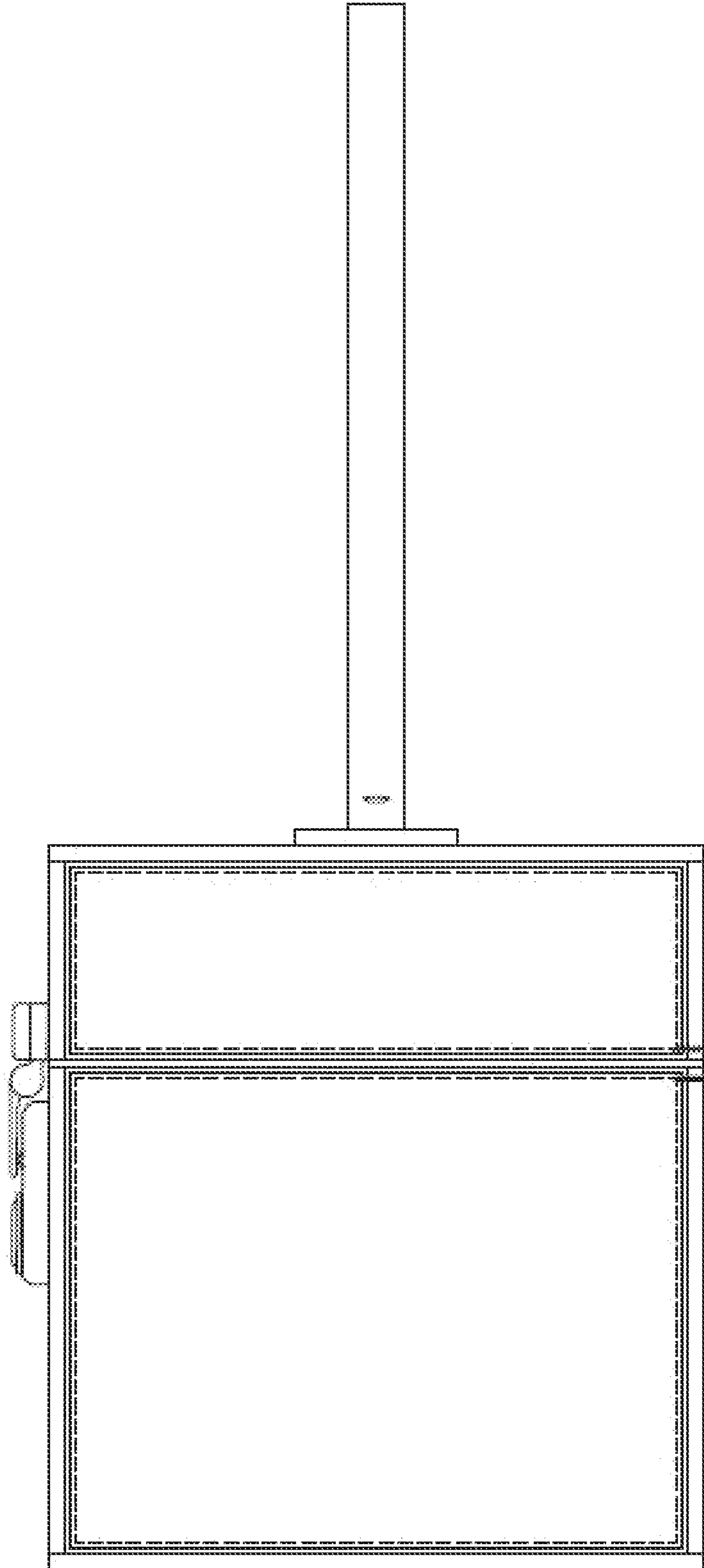
1.2



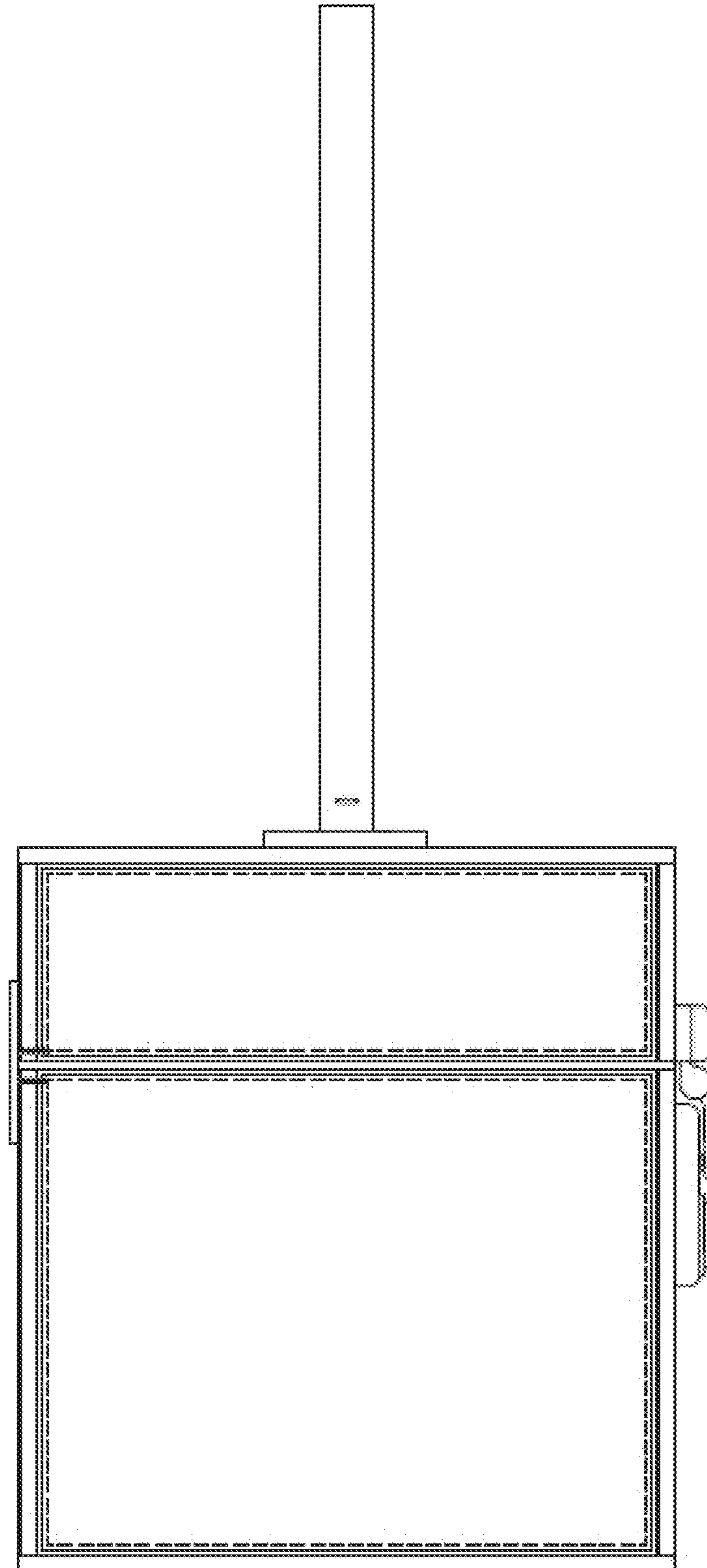
1.3



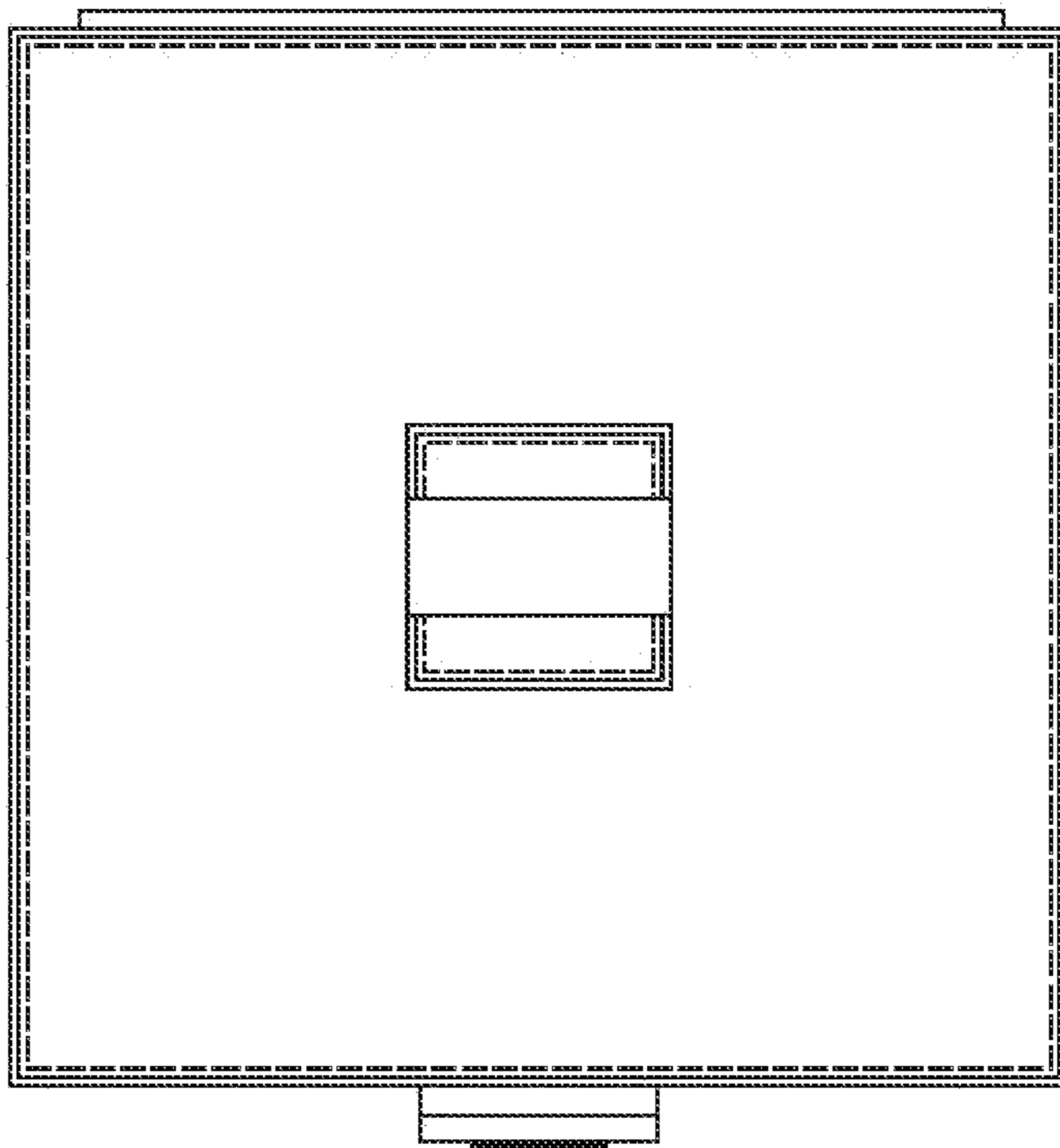
1.4



1.5



1.6



1.7

