



US00D904010S

(12) **United States Design Patent** (10) **Patent No.:** **US D904,010 S**  
**Wright et al.** (45) **Date of Patent:** **\*\* Dec. 8, 2020**

(54) **BACKPACK**

(71) Applicant: **CATALYST LIFESTYLE LIMITED,**  
North Point (HK)

(72) Inventors: **Joshua Wright,** Hong Kong (CN);  
**June Lai,** Hong Kong (CN)

(73) Assignee: **Catalyst Lifestyle Limited,** North Point  
(HK)

(\*\*) Term: **15 Years**

(21) Appl. No.: **29/667,746**

(22) Filed: **Oct. 24, 2018**

(30) **Foreign Application Priority Data**

Aug. 31, 2018 (CN) ..... 2018 3 0488888

(51) **LOC (12) Cl.** ..... **03-01**

(52) **U.S. Cl.**  
USPC ..... **D3/217**

(58) **Field of Classification Search**  
USPC ..... D3/216, 217, 274, 276, 279, 283, 289,  
D3/290, 321, 900, 902, 243, 226  
CPC . A45F 3/04; A45F 3/047; A45C 15/00; A45C  
3/00  
See application file for complete search history.

(56) **References Cited**

**U.S. PATENT DOCUMENTS**

4,074,839 A 2/1978 Wood et al.  
6,210,037 B1 4/2001 Brandon  
9,060,590 B2 6/2015 Valesko  
D764,873 S \* 8/2016 Collie ..... D7/607  
D819,328 S \* 6/2018 Muhlenkamp, IV ..... D3/217  
D842,603 S \* 3/2019 Johnson ..... D3/217  
D857,377 S \* 8/2019 Hong ..... D3/217  
D860,639 S \* 9/2019 Thibadeau ..... D3/217

D876,082 S \* 2/2020 Jais ..... D3/217  
D876,826 S \* 3/2020 Watson ..... D3/217  
D878,742 S \* 3/2020 Xu ..... D3/217  
2014/0339277 A1 \* 11/2014 Law ..... A45F 3/04  
224/259  
2015/0342325 A1 12/2015 Wright  
2018/0352939 A1 12/2018 Buffinton

**FOREIGN PATENT DOCUMENTS**

DE 102017112759 A1 12/2018

**OTHER PUBLICATIONS**

Amazon, "Catalyst Ultra Lightweight Weatherproof Waterproof Collapsible Backpack . . .", First reviewed Dec. 9, 2018. (<https://www.amazon.com/Catalyst-Lightweight-Weatherproof-Waterproof-Collapsible/dp/B07CTF1339/>) (Year: 2018).\*

(Continued)

*Primary Examiner* — April Rivas

(74) *Attorney, Agent, or Firm* — Dinsmore & Shohl LLP

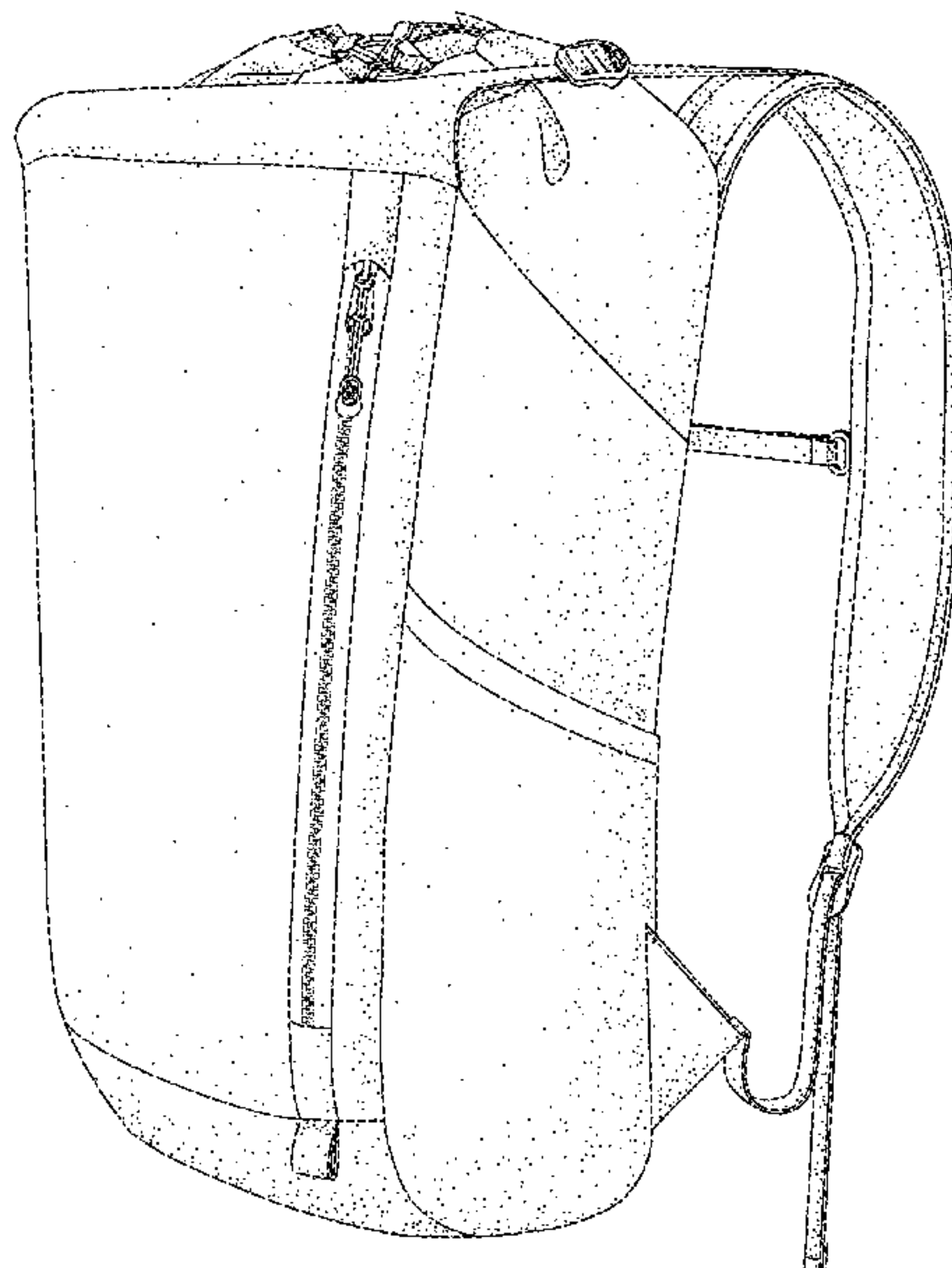
(57) **CLAIM**

The ornamental design for a backpack, as shown and described.

**DESCRIPTION**

FIG. 1 is a perspective view including a front, top and one side of the backpack;  
FIG. 2 is a front elevation view of the backpack of FIG. 1;  
FIG. 3 is a rear elevation view of the backpack of FIG. 1;  
FIG. 4 is an opposite side elevation view of the backpack of FIG. 1;  
FIG. 5 is a side elevation view of the backpack of FIG. 1;  
FIG. 6 is top plan view of the backpack of FIG. 1;  
FIG. 7 is a bottom plan view of the backpack of FIG. 1; and,  
FIG. 8 is a front elevation view of the backpack of FIG. 1 shown in an open and flat condition.

**1 Claim, 8 Drawing Sheets**



(56)

**References Cited**

## OTHER PUBLICATIONS

Stormtech, “Cascade Waterproof Backpack (35L)—WXP-1”, First review “two years ago” Apr. 1, 2018. (<https://www.stormtechusa.com/products/cascade-waterproof-backpack-35-l-wxp-1>) (Year: 2018).\*

Overboard, “Waterproof Backpack Dry Tube”, First reviewed Jan. 7, 2015. (<https://www.over-board.com/products/waterproof-backpack-dry-tube-60l-tr-black>) (Year: 2015).\*

Urban Backpacks “Fjallraven Kanken” Sukelluskoulu Aalto English, Web. Accessed Oct. 18, 2019, [https://sukelluskoulu.aalto.fi/en/Fjallraven+Kanken?\\_tu=217](https://sukelluskoulu.aalto.fi/en/Fjallraven+Kanken?_tu=217).

Zhang Yixin “Marmot 18L Kompressor Backpack” YouTube, May 30, 2019, <https://www.youtube.com/watch?v=GRRvPHCqmmw>.

Wandr. “VEER 18 Packable Bag And Inflatable Camera Protection” Kickstarter Web. Accessed Oct. 18, 2019 [https://www.kickstarter.com/projects/wandr/veer-18-packable-bag-and-inflatable-camera-protect?ref=discovery&term=travel backpack](https://www.kickstarter.com/projects/wandr/veer-18-packable-bag-and-inflatable-camera-protect?ref=discovery&term=travel%20backpack).

Osprey Packs, Inc., “Hikelite 26” Web. Accessed Oct. 18, 2019 [https://www.osprey.com/hk/en/productihikelite-26-HIKELITE26\\_809.html](https://www.osprey.com/hk/en/productihikelite-26-HIKELITE26_809.html).

Zpacks, “Arc Blast 55L Backpack” Web. Accessed Oct. 18, 2019 <https://zpacks.com/products/arc-blast-backpack>.

Reddit, “Improving comfort of packable backpack” Posted by U/FrantaB, Apr. 15, 2019, Web. [https://www.reddit.com/r/onebag/comments/bde2ih/improving\\_comfort\\_of\\_packable\\_backpack/](https://www.reddit.com/r/onebag/comments/bde2ih/improving_comfort_of_packable_backpack/).

\* cited by examiner



FIG. 1



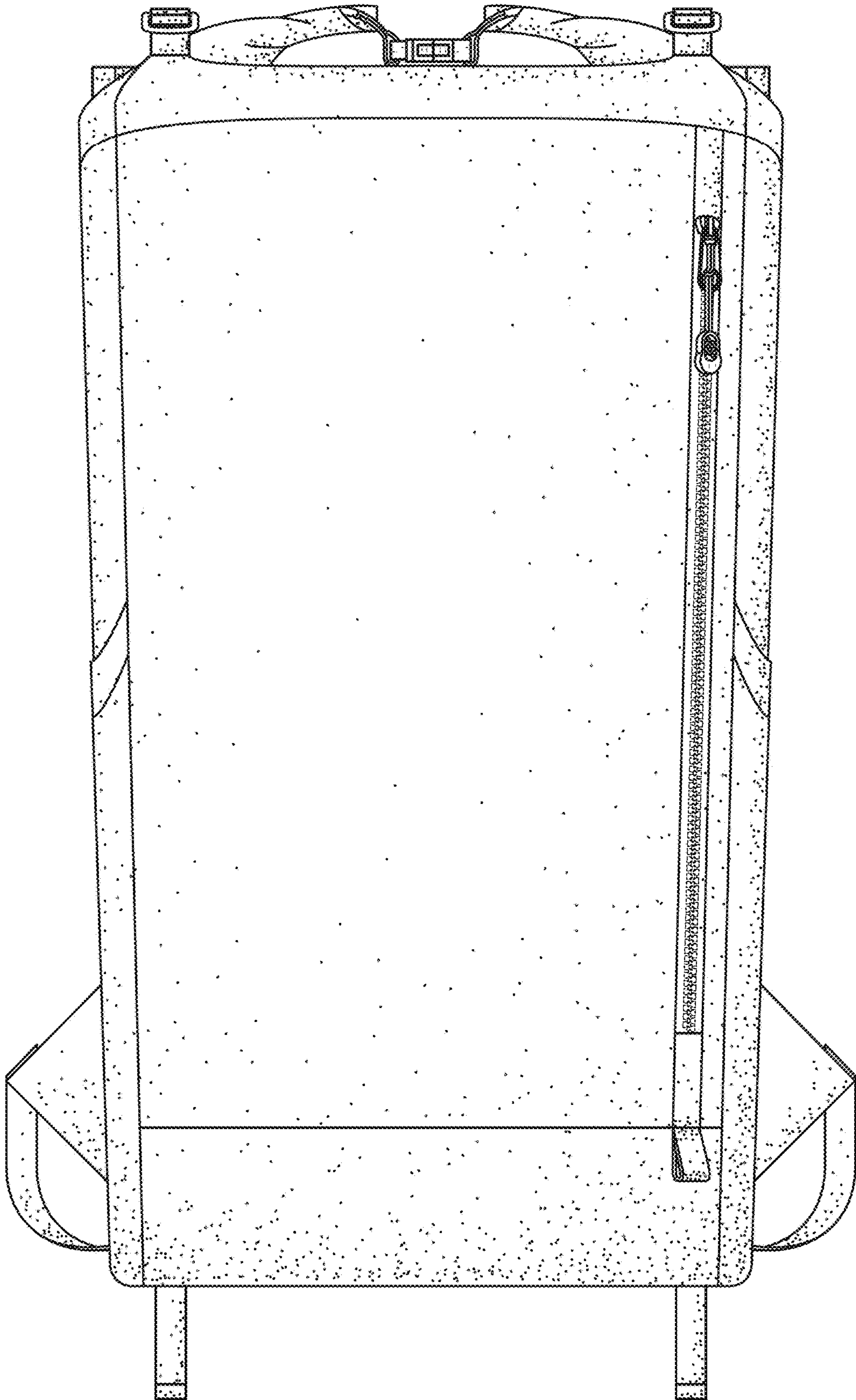


FIG. 2

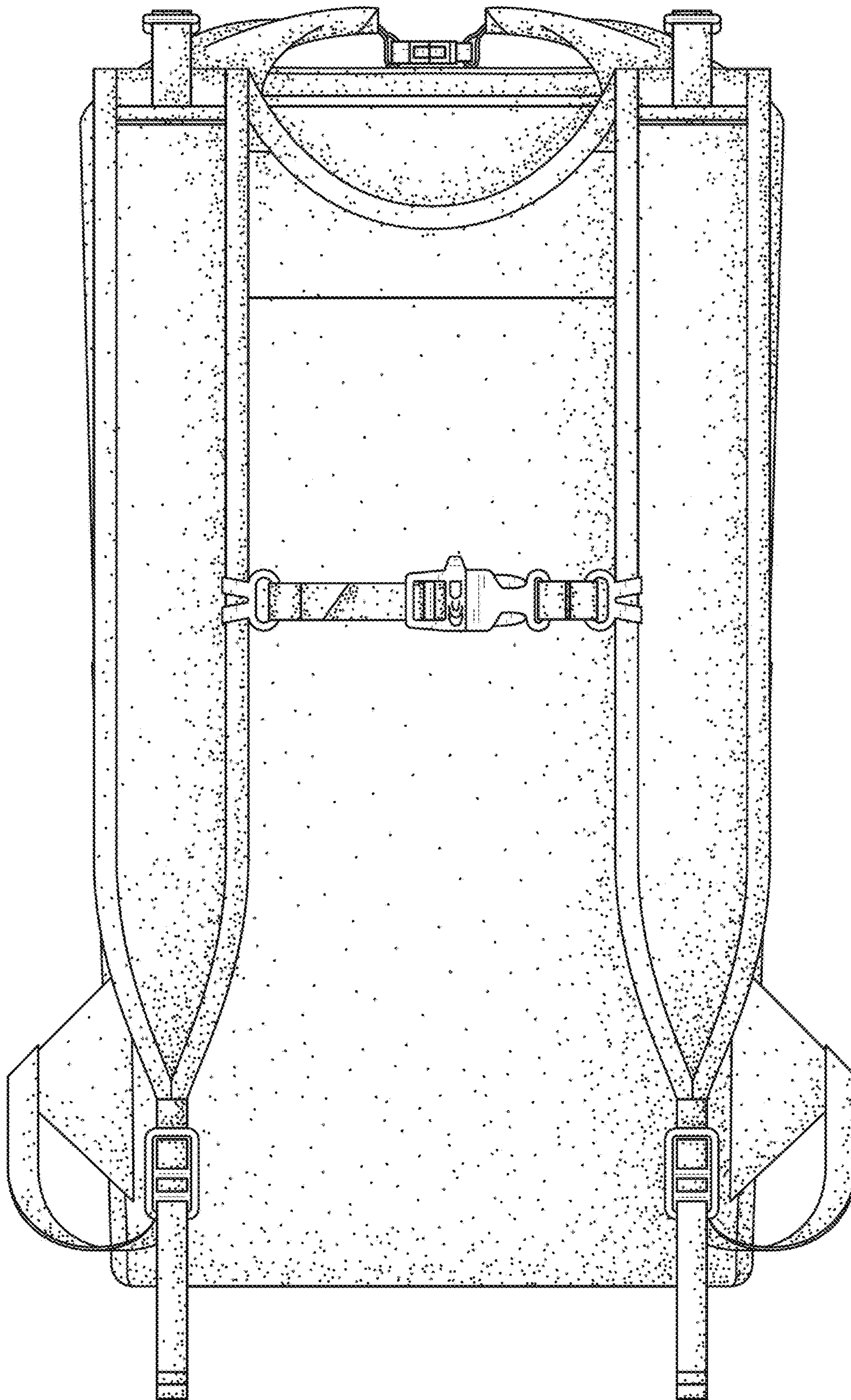


FIG. 3

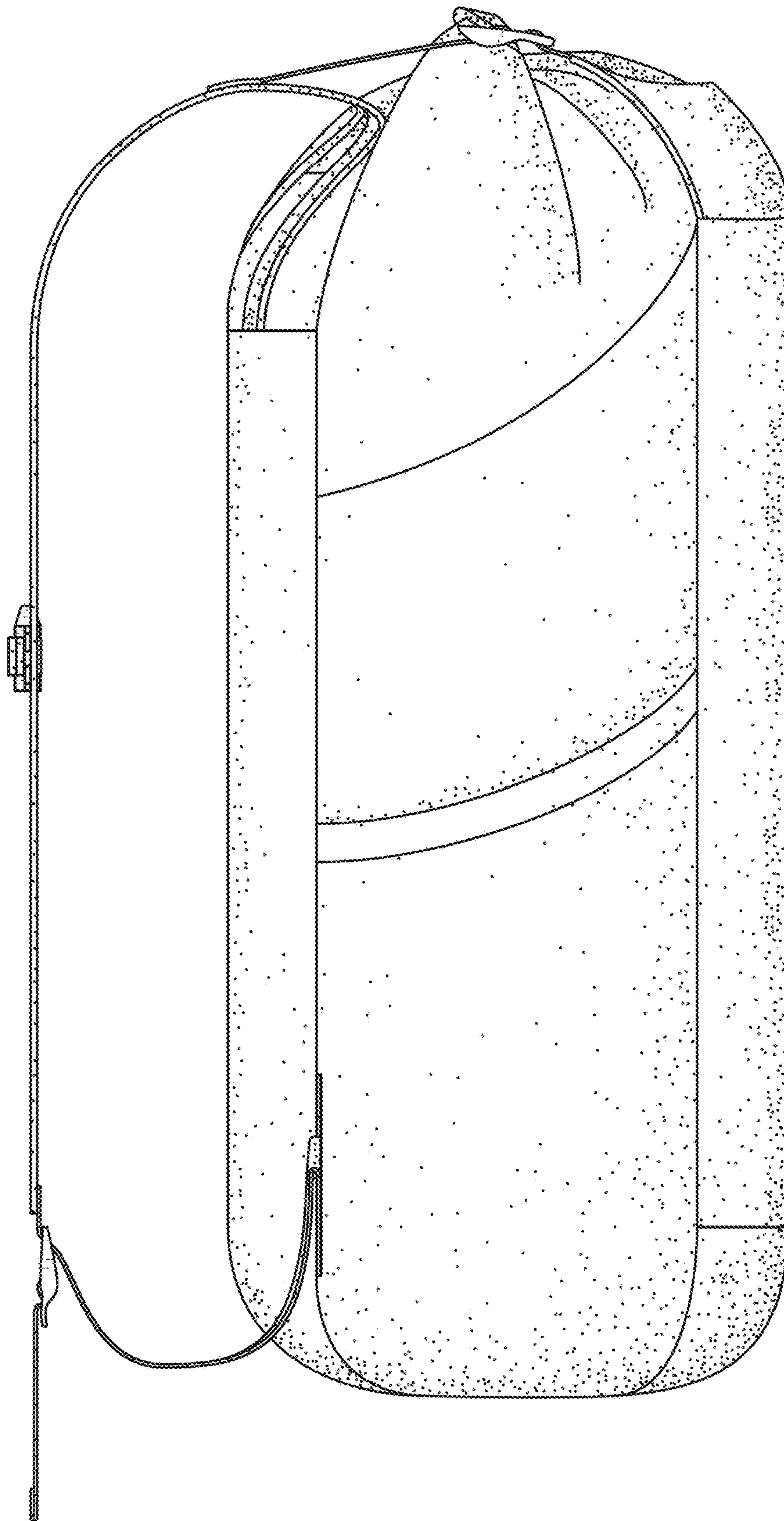


FIG. 4



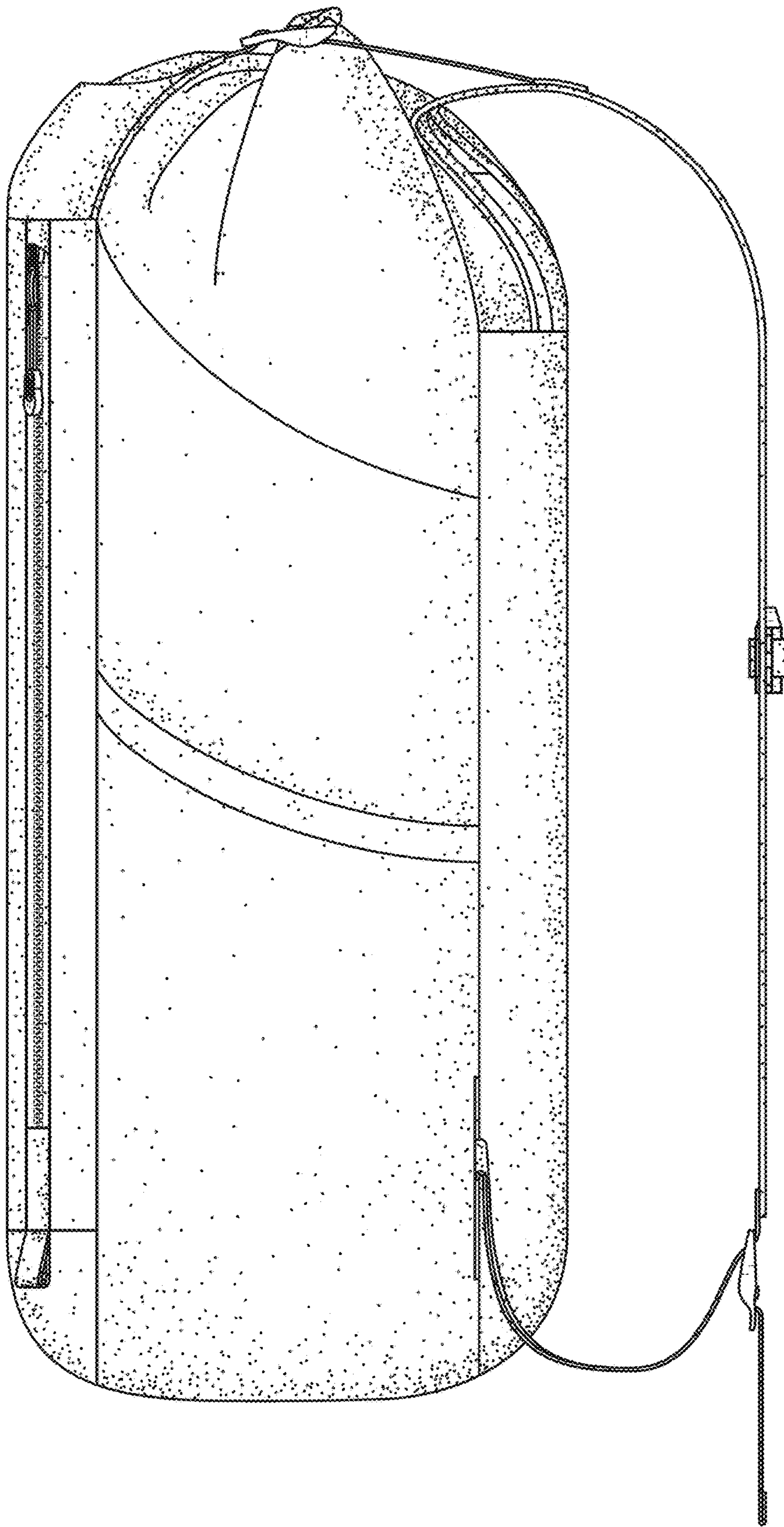


FIG. 5

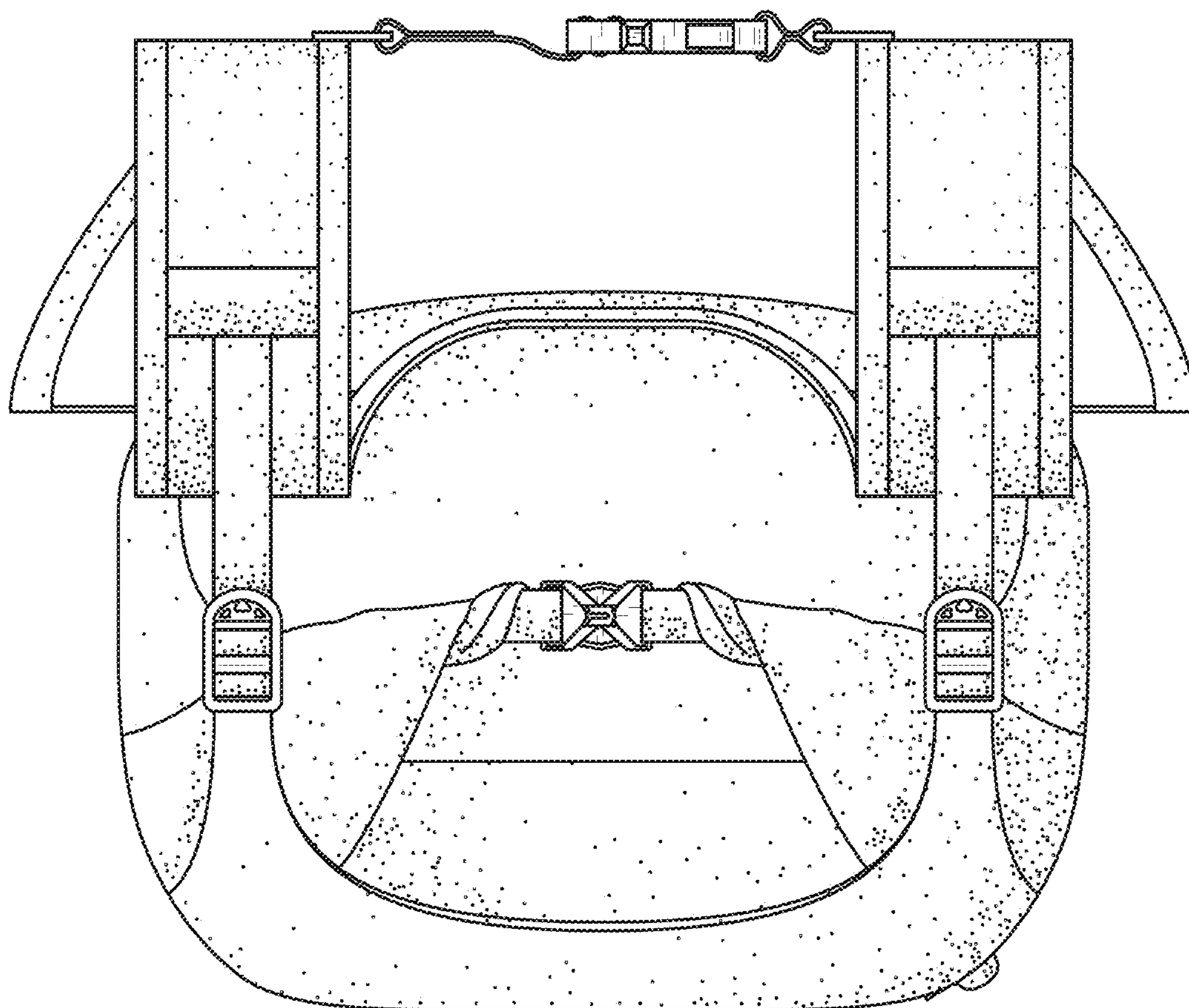


FIG. 6



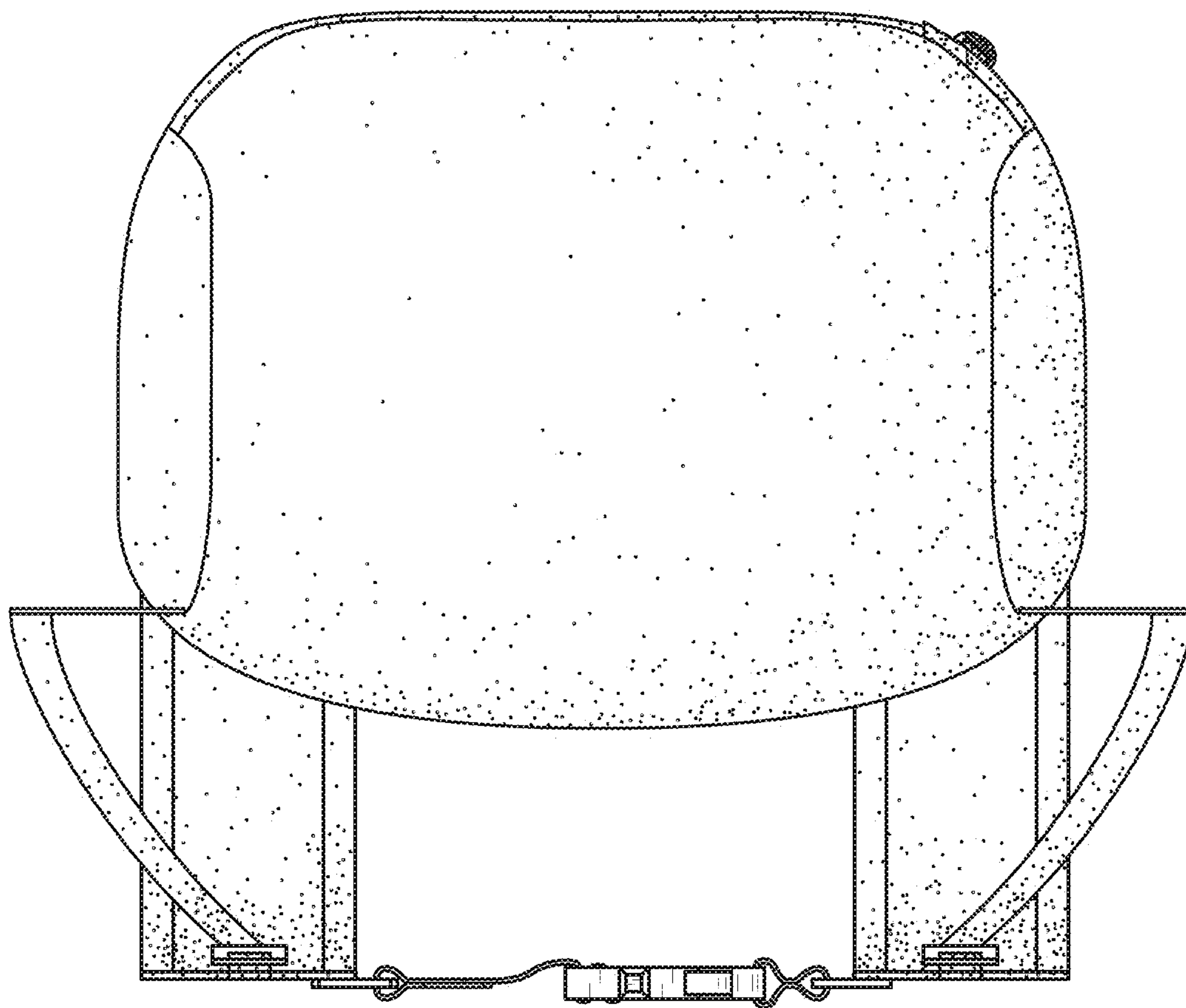


FIG. 7

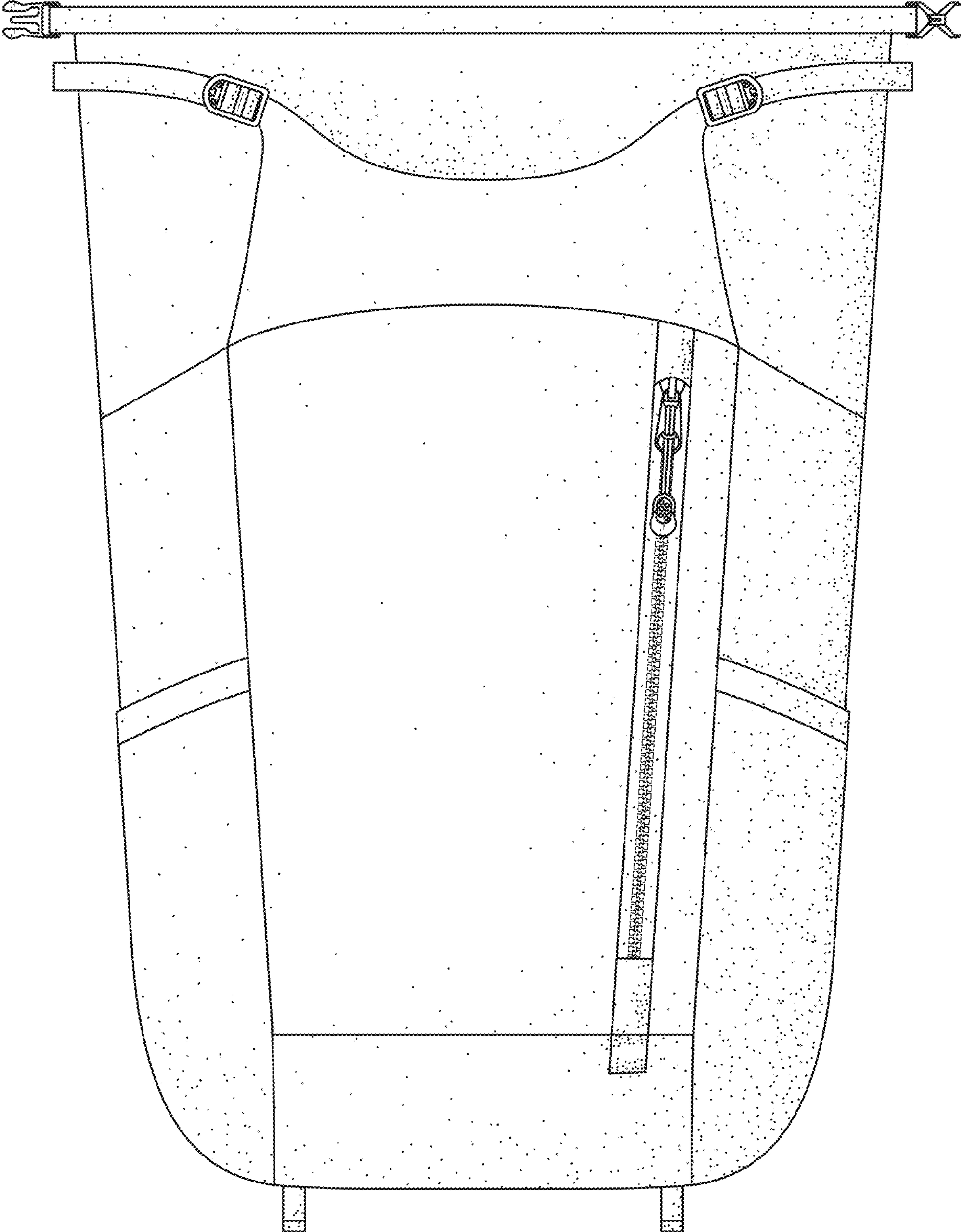


FIG. 8