



US00D904008S

(12) **United States Design Patent** (10) **Patent No.:** **US D904,008 S**
Al-Bayati et al. (45) **Date of Patent:** **** Dec. 8, 2020**

(54) **DOSAGE CONTAINER** 6,561,391 B1 * 5/2003 Baker B65D 43/169
220/200
(71) Applicant: **Reckitt Benckiser Finish B.V.**, D503,037 S * 3/2005 Terronez D3/215
Hoofddorp (NL) D519,038 S * 4/2006 Stoddard A47F 1/12
D9/733
(72) Inventors: **Alias Younis Al-Bayati**, Heidelberg D546,056 S * 7/2007 Oas D3/203.2
(DE); **Claudia Schmaelzle**, Heidelberg D606,307 S * 12/2009 Gauss D3/215
(DE); **Daniel Godfrey**, Cambridge D618,905 S * 7/2010 Watson D3/203.5
(GB); **Scott Virgo**, Cambridge (GB) 10,426,193 B2 * 10/2019 Schennum A24F 15/12
D886,453 S * 6/2020 Wright D3/294
2009/0050495 A1 * 2/2009 Marcus A61J 1/03
206/217

(73) Assignee: **RECKITT BENCKISER FINISH B.V.**, Hoofddorp (NL)

(**) Term: **15 Years**

(21) Appl. No.: **29/707,320**

(22) Filed: **Sep. 27, 2019**

(30) **Foreign Application Priority Data**

Mar. 28, 2019 (EM) 006351656-0006

(51) **LOC (12) Cl.** **03-01**

(52) **U.S. Cl.**
USPC **D3/203.2**

(58) **Field of Classification Search**
USPC D9/414, 420-423, 430, 431, 730, 731,
D9/733; D3/201, 203.1, 203.2, 203.3,
D3/203.4
CPC A61J 1/03; A61J 7/04; A61J 7/0076; A61J
7/0436; A61J 7/0454; A61J 1/1412
See application file for complete search history.

(56) **References Cited**

U.S. PATENT DOCUMENTS

D307,388 S * 4/1990 Newell D3/203.2
D347,732 S * 6/1994 Wentz D3/294
D349,644 S * 8/1994 Miyairi D3/203.2
D436,725 S * 1/2001 Rogers D3/265
D458,016 S * 6/2002 Christianson D3/203.4
6,446,793 B1 * 9/2002 Layshock A24F 15/18
206/85

(Continued)

Primary Examiner — Lauren R Calve

(74) *Attorney, Agent, or Firm* — Troutman Pepper
Hamilton Sanders LLP; Ryan Schneider; Chris N. Davis

(57) **CLAIM**

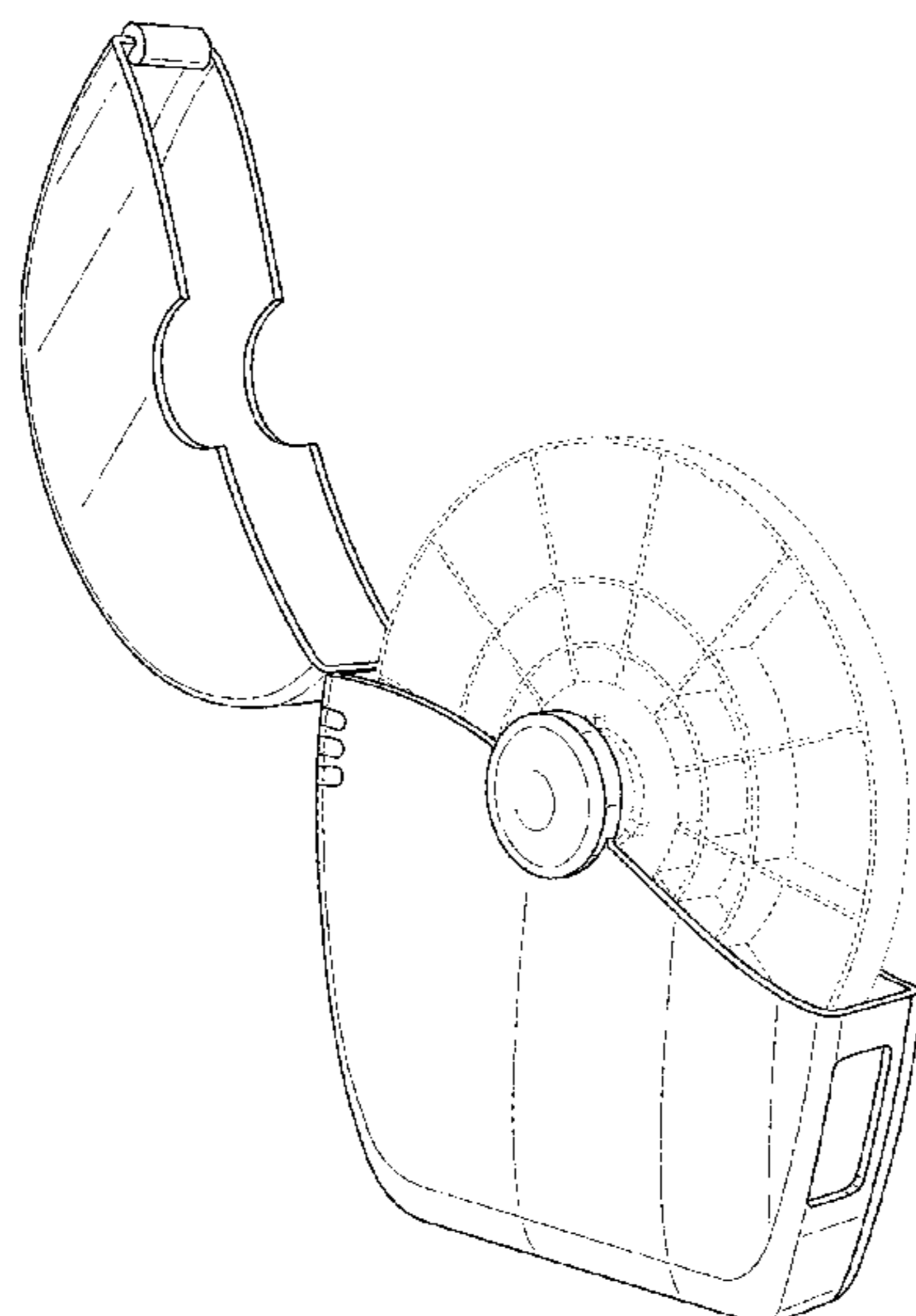
The ornamental design for a dosage container, as shown and described.

DESCRIPTION

FIG. 1 is a perspective view of our new design for a dosage container, shown in an open configuration;
FIG. 2 is a right elevation view thereof, shown in an open configuration;
FIG. 3 is a left side elevation view thereof, shown in an open configuration;
FIG. 4 is a rear elevation view thereof, shown in an open configuration;
FIG. 5 is a front side elevation view thereof, shown in an open configuration;
FIG. 6 is a top plan view thereof, shown in an open configuration; and,
FIG. 7 is a bottom plan view thereof, shown in an open configuration.

The broken lines are included for the purpose of illustrating a portion of the dosage container that forms no part of the claimed design.

1 Claim, 5 Drawing Sheets



(56)

References Cited

U.S. PATENT DOCUMENTS

2011/0186587 A1* 8/2011 Edwards B65D 83/04
221/1
2013/0021878 A1* 1/2013 Harris G04F 1/005
368/10

* cited by examiner

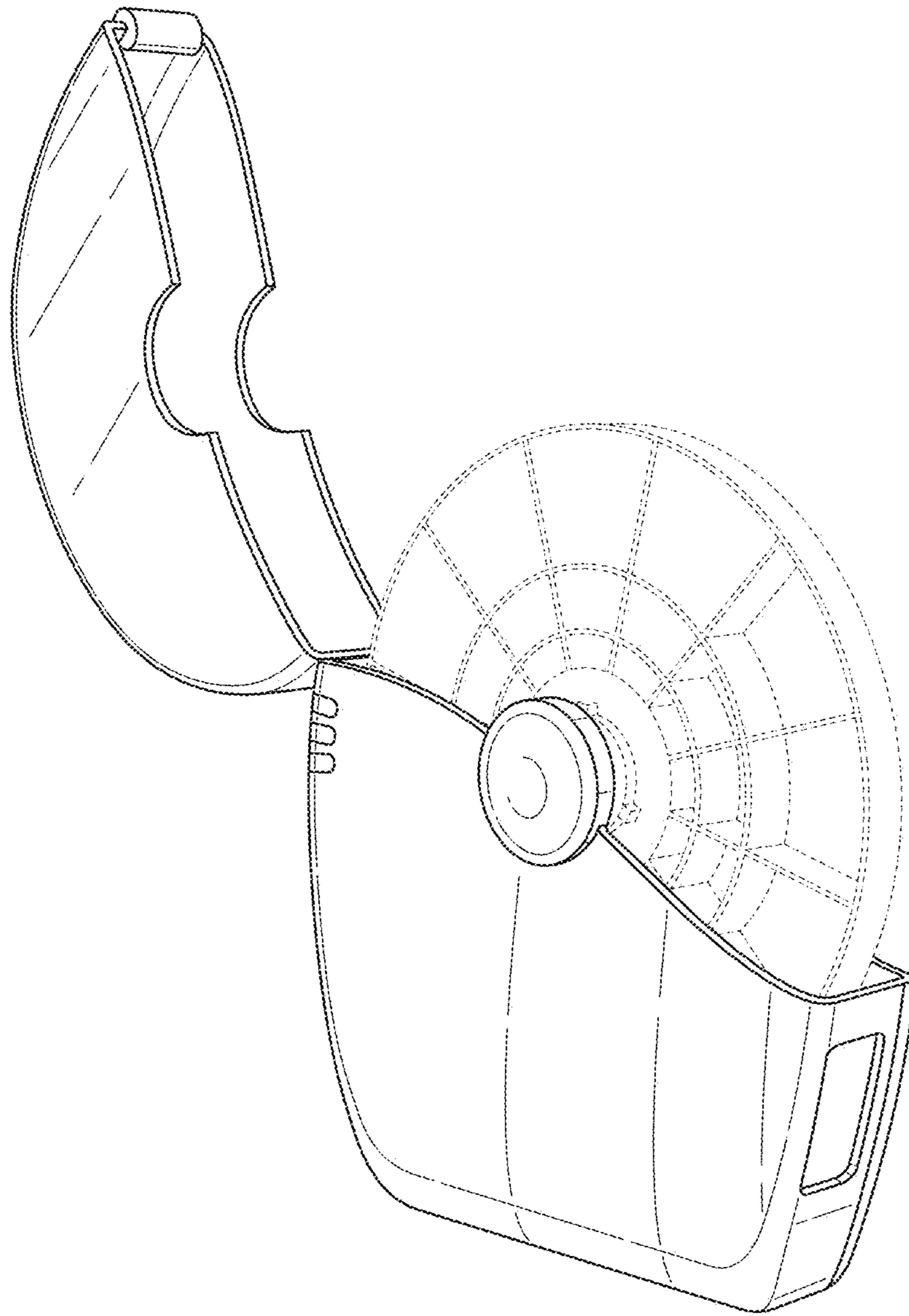


Fig. 1

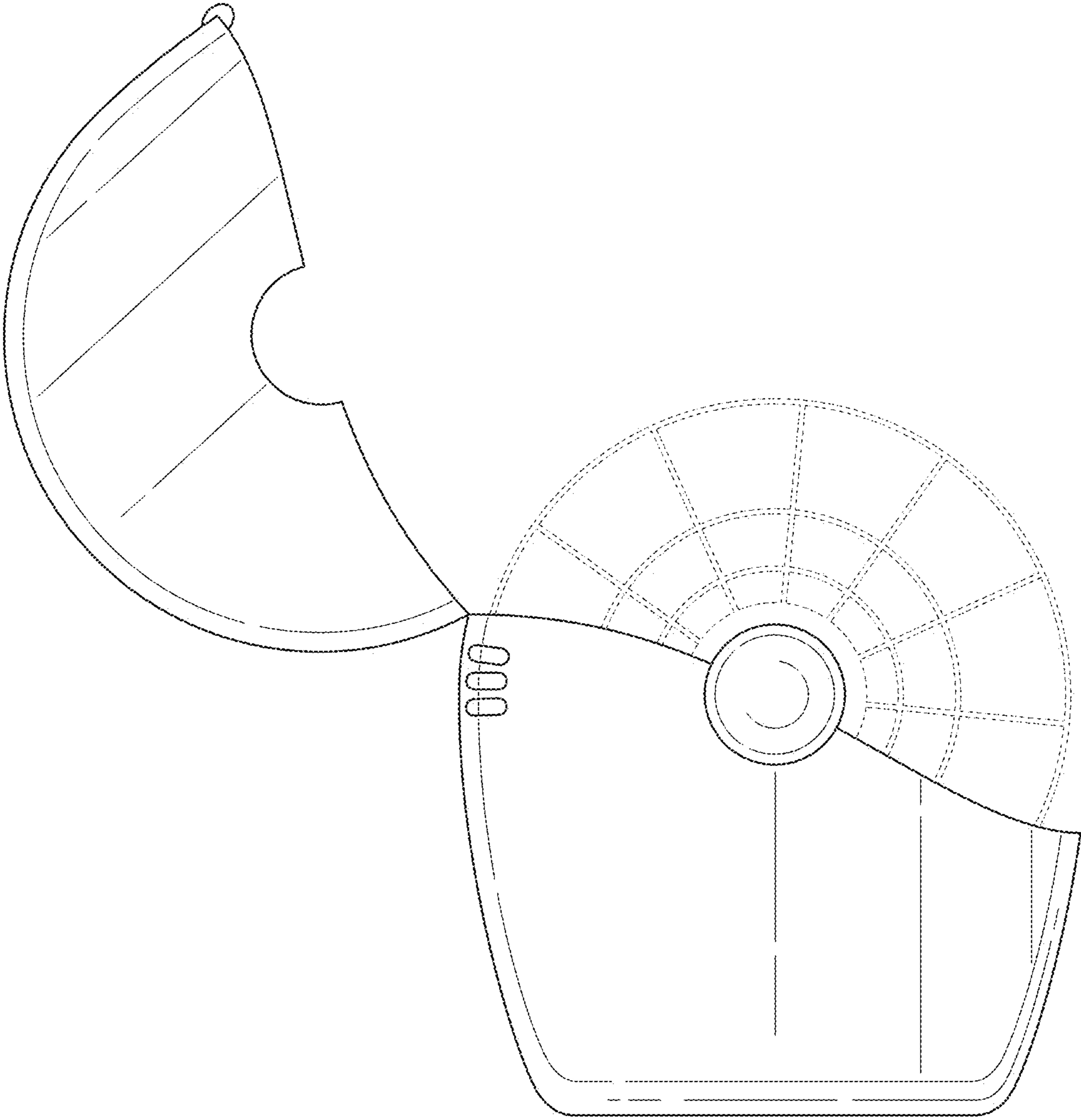


Fig. 2

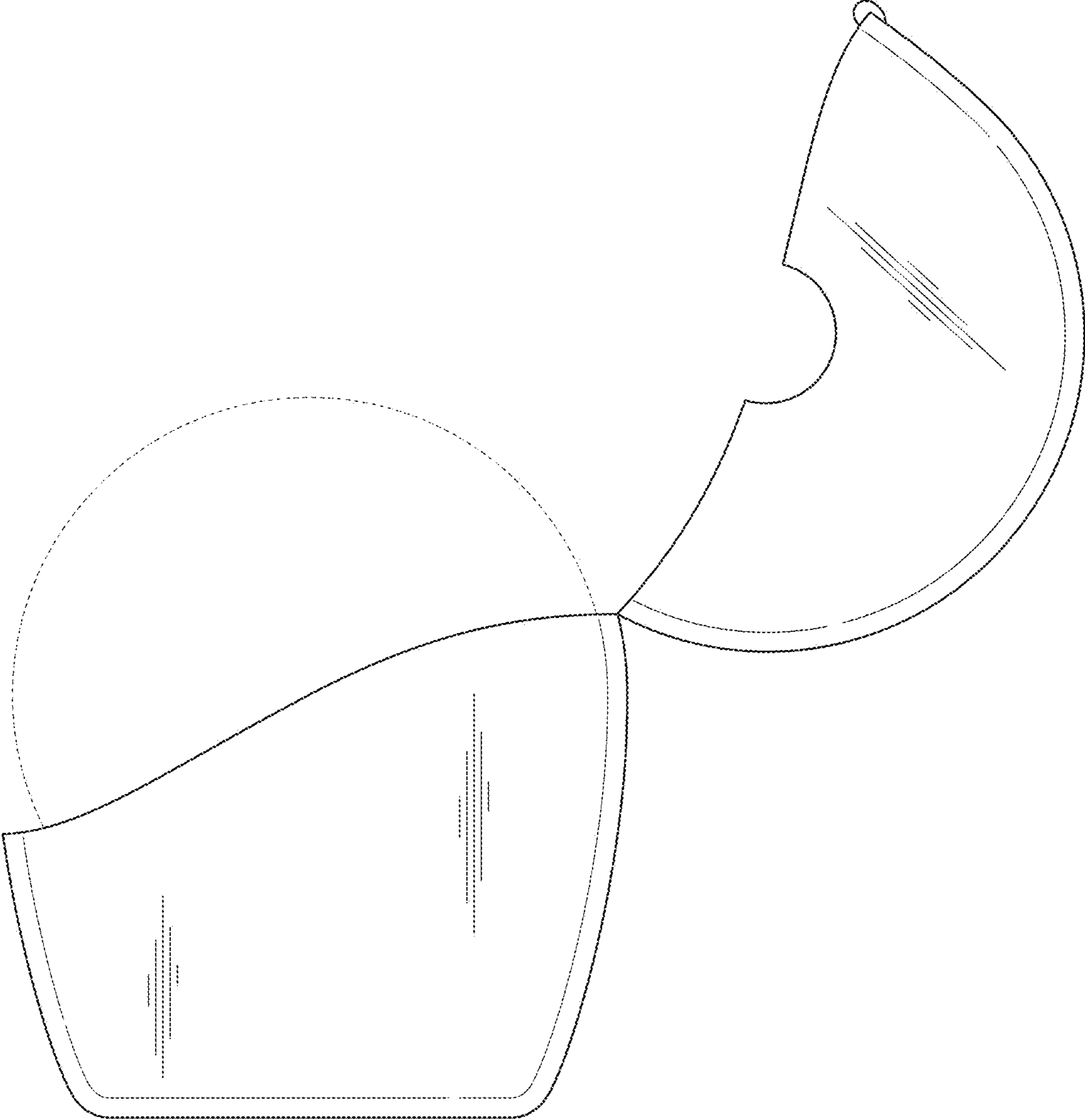


Fig. 3

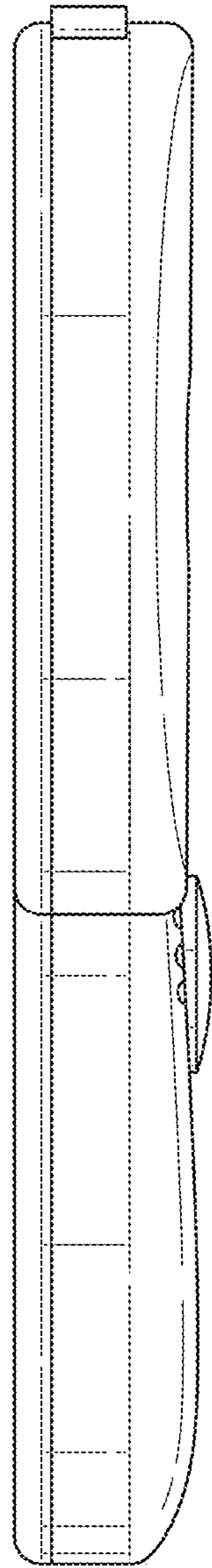


Fig. 4

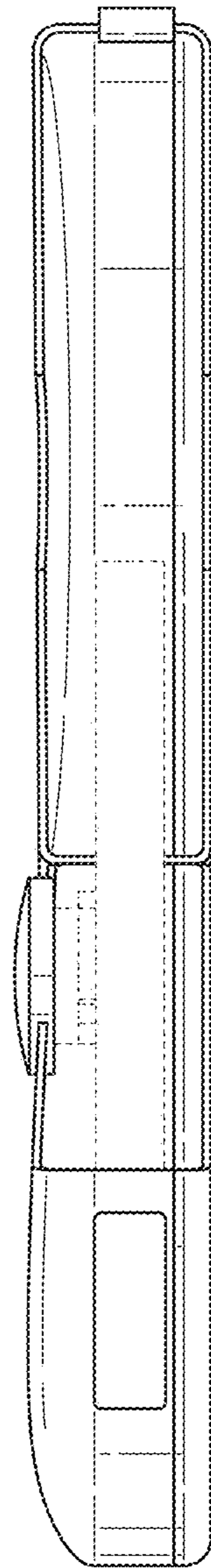


Fig. 5

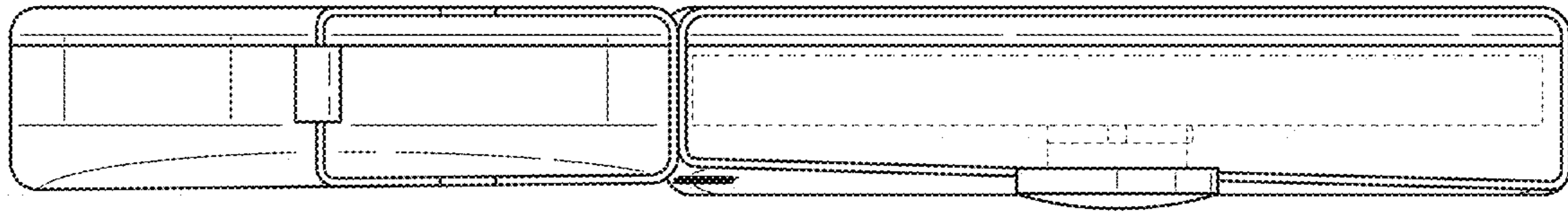


Fig. 6

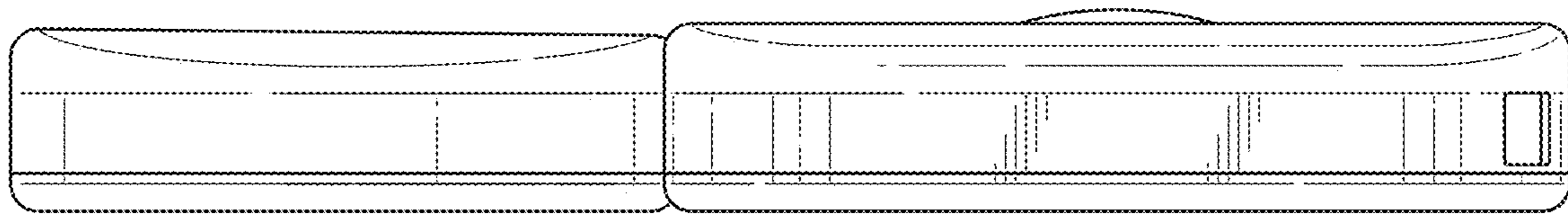


Fig. 7