

US00D904005S

(12) **United States Design Patent** (10) **Patent No.:** **US D904,005 S**
Jung (45) **Date of Patent:** **** Dec. 8, 2020**

(54) **CASE FOR EARPHONES**
(71) Applicant: **SPIGEN KOREA CO., LTD.**, Seoul (KR)
(72) Inventor: **Soo Ha Jung**, Seoul (KR)
(73) Assignee: **Spigen Korea CO., LTD.**, Seoul (KR)
(**) Term: **15 Years**

D676,654 S 2/2013 Weremchuk et al.
D721,694 S 1/2015 Lee et al.
D738,110 S 9/2015 Jiang et al.
D740,018 S 10/2015 Zhang et al.
D752,569 S 3/2016 Lee et al.
D753,099 S 4/2016 Kim
D756,626 S 5/2016 Tollefsbol et al.
D757,703 S 5/2016 Kanazawa
D763,241 S 8/2016 Kim
D763,841 S 8/2016 Kim

(Continued)

(21) Appl. No.: **29/718,626**
(22) Filed: **Dec. 26, 2019**
(51) **LOC (12) Cl.** **03-01**
(52) **U.S. Cl.**
USPC **D3/201**
(58) **Field of Classification Search**
USPC D3/201, 215, 218-219, 205, 207-212,
D3/269, 272-273, 294-295, 301, 303;
206/37-38, 305, 320, 536, 565, 702;
224/219, 222, 267, 269, 182, 666, 664;
455/575.1, 575.8; D9/420, 426, 428
CPC A45F 5/00; A45F 5/02; A45F 5/021; A45F
2200/0516; A45F 2005/008; A45F
2005/006; A45F 2003/142; B65D 25/10;
B65D 43/16; B65D 65/04; B65D
2313/04; B65D 2585/6835; B65D 85/00
See application file for complete search history.

OTHER PUBLICATIONS

“Spigen Ultra Hybrid iPhone 5S / 5 Case with Air Cushion Technology and Hybrid Drop Protection for iPhone 5S I iPhone 5—Crystal Clear”, <https://www.amazon.com/dp/B00G3JCFNC>, Earliest review date of Sep. 10, 2013, Downloaded on Jan. 4, 2019.

(Continued)

Primary Examiner — Catherine R Oliver-Garcia
(74) *Attorney, Agent, or Firm* — Heedong Chae; Lucem, PC

(57) **CLAIM**

The ornamental design for a case for earphones, as shown and described.

DESCRIPTION

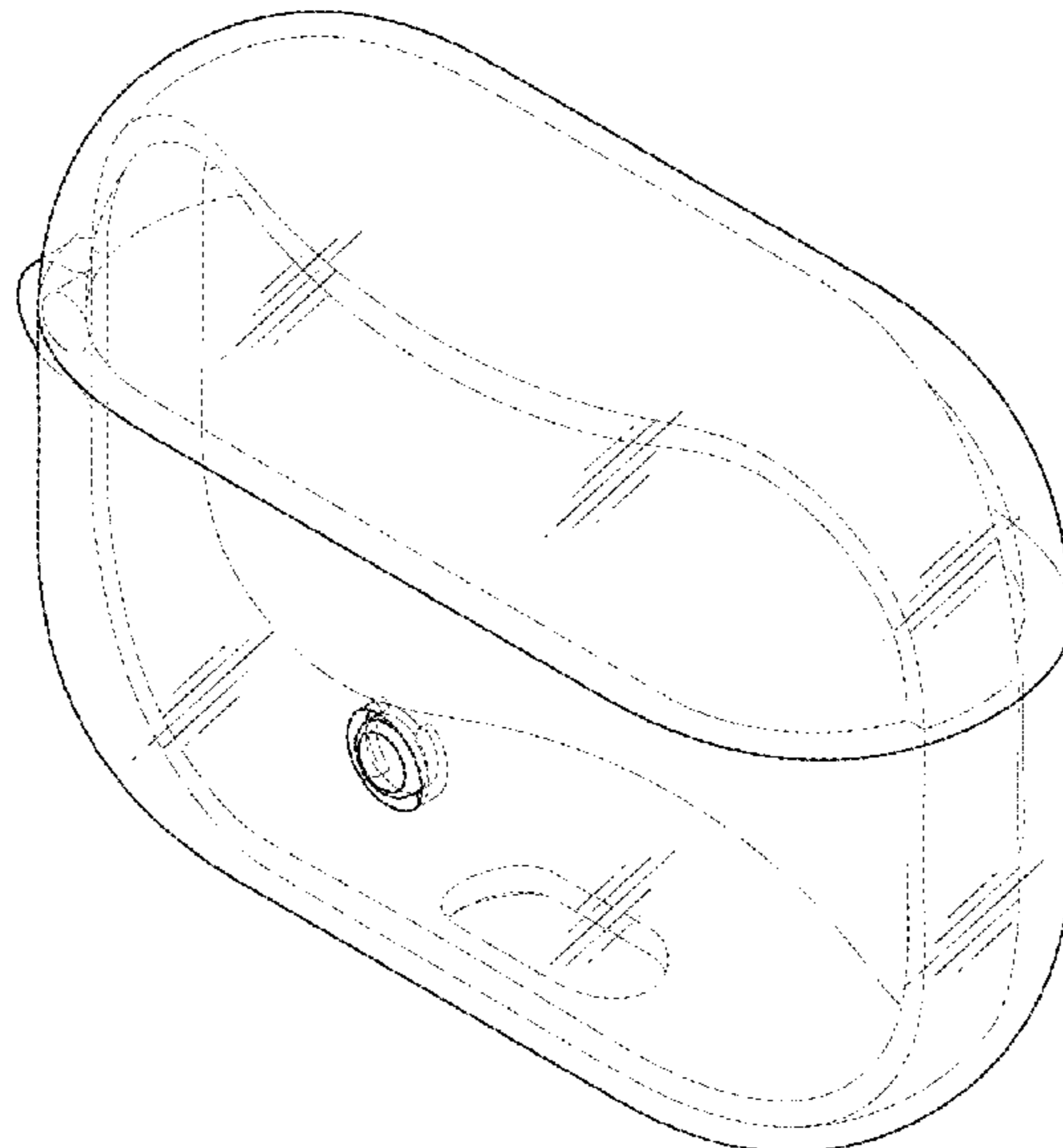
FIG. 1 is a front perspective view of a case for earphones showing my new design;
FIG. 2 is a rear perspective view thereof;
FIG. 3 is a front elevational view thereof;
FIG. 4 is a rear elevational view thereof;
FIG. 5 is a left side elevational view thereof;
FIG. 6 is a right side elevational view thereof;
FIG. 7 is a top plan view thereof;
FIG. 8 is a bottom plan view thereof; and,
FIG. 9 is an exploded front perspective view of the case showing the components separated for clarity of disclosure.

1 Claim, 9 Drawing Sheets

(56) **References Cited**

U.S. PATENT DOCUMENTS

D259,596 S 6/1981 Gray
5,009,222 A * 4/1991 Her A45C 11/22
206/811
D452,611 S 1/2002 Redgrave
D475,696 S 6/2003 Hussaini et al.
D586,557 S 2/2009 Jalet
D604,501 S 11/2009 Lee
D614,048 S 4/2010 Smith
D636,598 S 4/2011 Tseng et al.



(56)

References Cited

U.S. PATENT DOCUMENTS

D770,434 S	11/2016	Choe et al.	
D786,879 S	5/2017	Kim	
D791,754 S	7/2017	Armstrong et al.	
D794,617 S	8/2017	Wright et al.	
D794,618 S	8/2017	Wright et al.	
D795,881 S	8/2017	Akana et al.	
D797,715 S	9/2017	Kim	
D806,060 S	12/2017	Kim et al.	
D806,388 S	1/2018	Akana et al.	
D807,337 S	1/2018	Kim et al.	
D808,375 S	1/2018	Kim et al.	
D808,376 S	1/2018	Kim	
D813,909 S	3/2018	Lacy-Nichols	
D815,082 S	4/2018	Kim	
D816,651 S	5/2018	Chiang et al.	
D817,640 S	5/2018	Dang et al.	
D822,374 S *	7/2018	Hung	D3/201
D823,246 S	7/2018	Lin	
D823,293 S	7/2018	Kim et al.	
D823,296 S	7/2018	Kim et al.	
D830,353 S	10/2018	Kim et al.	
D834,301 S	11/2018	Poissant	
D835,081 S	12/2018	Luo	
D838,480 S	1/2019	Son et al.	
D839,583 S *	2/2019	Cao	D3/201
D841,580 S	2/2019	Bao	
D841,581 S	2/2019	Bonahoom et al.	
D846,264 S *	4/2019	Wu	D3/201
D849,401 S	5/2019	Akana et al.	
D851,913 S *	6/2019	Yu	D3/201
D853,108 S	7/2019	Zaihui	
D862,425 S	10/2019	Yan	
D864,110 S	10/2019	Yoshimura	
D864,565 S *	10/2019	Lee	D3/271.1
D864,971 S	10/2019	Lee et al.	
D868,453 S	12/2019	Lee et al.	
D868,465 S	12/2019	Lee et al.	
D869,147 S	12/2019	Lian	
D869,163 S	12/2019	Maguire	
D870,037 S	12/2019	Lee	
D870,451 S	12/2019	Birger	
D872,094 S	1/2020	Wright et al.	
D872,468 S	1/2020	Lee et al.	
D872,469 S	1/2020	Lee et al.	
D872,723 S	1/2020	Lee et al.	
D872,724 S	1/2020	Lee et al.	
D873,217 S	1/2020	Zhang	
D878,048 S *	3/2020	Wang	D3/294
2020/0100573 A1 *	4/2020	Ekelund	A45C 11/00

OTHER PUBLICATIONS

“Spigen Ultra Hybrid Nexus 5 Case with Air Cushion Technology and Hybrid Drop Protection for Nexus 5—Black”, <https://www.amazon.com/dp/B00FJJ38HY>, Earliest review date of Nov. 1, 2013, Downloaded on Jan. 8, 2019.

“Spigen Ultra Hybrid iPhone 6 Case with Air Cushion Technology and Hybrid Drop Protection for iPhone 6S / iPhone 6—Crystal Clear”, <https://www.amazon.com/dp/B00JH88D10>, Earliest review date of Jul. 10, 2014, Downloaded on Dec. 28, 2018.

“Spigen Ultra Hybrid Galaxy Note 4 Case with Air Cushion Technology and Hybrid Drop Protection for Samsung Galaxy Note 4 2014—Gunmetal”, <https://www.amazon.com/dp/B00MAWPXVW>, Earliest review date of Oct. 15, 2014, Downloaded on Aug. 8, 2018.

“Spigen Ultra Hybrid Galaxy Note 4 Case with Air Cushion Technology and Hybrid Drop Protection for Samsung Galaxy Note 4 2014—Crystal Clear”, <https://www.amazon.com/dp/B00MAWPVXM>, Earliest review date of Oct. 17, 2014, Downloaded on Aug. 8, 2018.

“Spigen Ultra Hybrid Galaxy S6 Case with Air Cushion Technology and Hybrid Drop Protection for Galaxy S6 2015 Crystal Clear”, <https://www.amazon.com/dp/B00GIU4PN84>, Earliest review date of Feb. 6, 2015, Downloaded on Aug. 8, 2018.

“Spigen Ultra Hybrid Galaxy S6 Edge Case with Air Cushion Technology and Hybrid Drop Protection for Galaxy S6 Edge 2015—Metal Slate”, <https://www.amazon.com/dp/B00SV63NNG>, Earliest review date of Mar. 30, 2015, Downloaded on Aug. 8, 2018.

“Spigen Ultra Hybrid Galaxy S6 Edge Plus Case with Air Cushion Technology and Hybrid Drop Protection for Galaxy S6 Edge Plus 2015—Mint”, <https://www.amazon.com/dp/B010MWFRFI>, Earliest review date of Aug. 18, 2015, Downloaded on Aug. 8, 2018.

“Spigen Ultra Hybrid iPhone 6S Case with Air Cushion Technology and Hybrid Drop Protection for iPhone 6S / iPhone 5—Crystal Clear”, <https://www.amazon.com/dp/B010MVJNTK>, Earliest review date of Aug. 31, 2015, Downloaded on Dec. 28, 2018.

“iPhone 6s Plus Case, Spigen [Ultra Hybrid] Air Cushion [Crystal Clear] Clear back panel + TPU bumper for iPhone 5 Plus (2014) / 6s Plus (2015)—Crystal Clear (SGP11644)”, <https://www.amazon.com/dp/B010MVRC20>, Earliest review date of Sep. 15, 2015, Downloaded on Jan. 4, 2019.

“Spigen Ultra Hybrid Nexus 5X Case with Air Cushion Technology and Hybrid Drop Protection for Nexus 5X—Crystal Clear”, <https://www.amazon.com/dp/B0147JXWG8>, Earliest review date of Sep. 24, 2015, Downloaded on Jan. 8, 2019.

“Spigen Ultra Hybrid Tech iPhone 6S Plus Case with Bumper Protection for iPhone 6S Plus 2015—Crystal White”, <https://www.amazon.com/dp/B013TKNIOC>, Earliest review date of Oct. 26, 2015, Downloaded on Jan. 4, 2019.

“Spigen Ultra Hybrid Galaxy S7 Edge Case with Air Cushion Technology and Hybrid Drop Protection for Samsung Galaxy S7 Edge 2016—Rose Crystal”, <https://www.amazon.com/dp/B01AUROZ1G>, Earliest review date of Feb. 24, 2016, Downloaded on Aug. 8, 2018.

“Spigen Ultra Hybrid Galaxy S7 Case with Air Cushion Technology and Hybrid Drop Protection for Samsung Galaxy S7 2016—Crystal Clear”, <https://www.amazon.com/dp/B01A7IDOAG>, Earliest review date of Feb. 29, 2016, Downloaded on Aug. 8, 2018.

“Spigen Ultra Hybrid iPhone SE Case with Air Cushion Technology and Hybrid Drop Protection for iPhone SE 2016 crystal Clear”, <https://www.amazon.com/dp/B01BEDOOS>, Earliest review date of Apr. 15, 2016, Downloaded on Jan. 4, 2019.

“Spigen Ultra Hybrid Galaxy A5 Case with Air Cushion Technology and Hybrid Drop Protection for Galaxy A5—Crystal clear”, <https://www.amazon.com/dp/B018J07D01>, Earliest review date of May 23, 2016, Downloaded on Aug. 8, 2018.

“Spigen Ultra Hybrid iPhone 7 Case with Air Cushion Technology and Hybrid Drop Protection for iPhone 7 2016 Black”, <https://www.amazon.com/dp/B01GIVXBVY>, Earliest review date of Sep. 1, 2016, Downloaded on Jan. 8, 2019.

“Spigen Ultra Hybrid iPhone 7 Plus Case with Air Cushion Technology and Hybrid Drop Protection for Apple iPhone 7 Plus 2016—Crystal Clear”, <https://www.amazon.com/dp/B01GIWGFMU>, Earliest review date of Sep. 6, 2016, Downloaded on Jan. 8, 2019.

“Spigen Ultra Hybrid S iPhone Seven Plus Case with Air Cushion Technology and Magnetic Metal Kickstand for Apple iPhone Seven Plus Two Thousand and Sixteen Clear Black”, <https://www.amazon.com/dp/B01LRSF986>, Earliest review date of Sep. 7, 2016, Downloaded on Jan. 8, 2019.

“Spigen Ultra Hybrid S iPhone 7 Case with Air Cushion Technology and Magnetic Metal Kickstand for iPhone 7 2016 crystal Clear”, <https://www.amazon.com/dp/B01J9DVBWE>, Earliest review date of Sep. 13, 2016, Downloaded 3ri Jan. 8, 2019.

“Spigen Ultra Hybrid Google Pixel Xl Case with Air Cushion Technology and Hybrid Drop Protection for Google Pixel Xl 2016 - Crystal Clear”, <https://www.amazon.com/dp/B01M12Z4VQ>, Earliest review date of Oct. 21, 2016, Downloaded on Jan. 8, 2019.

“Spigen Ultra Hybrid [2nd Generation] iPhone 8 Plus Case/iPhone 7 Plus Case with Clear Protection and Air Cushion Technology for iPhone 8 Plus (2017) / iPhone 7 Plus (2016)—Crystal Clear”, <https://www.amazon.com/dp/B01MXKNP05>, Earliest review date of Jan. 9, 2017, Downloaded on Jan. 8, 2019.

“Spigen Ultra Hybrid [2nd Generation] iPhone 7 Case/iPhone 8 Case with Air Cushion Technology for Apple iPhone 7 2016/iPhone 8 (2017)—Crystal Clear”, <https://www.amazon.com/dp/B01MOUSRWG>, Earliest review date of Jan. 17, 2017, Downloaded on Jan. 8, 2019.

(56)

References Cited

OTHER PUBLICATIONS

Spigen Ultra Hybrid Galaxy A5 2017 Case with Air Cushion Technology and Hybrid Drop Protection for Samsung Galaxy A5 (2017)—Crystal Clear”, <https://www.amazon.com/dp/B01NCJOZ1C>, Earliest review date of Mar. 2, 2017, Downloaded on Jan. 8, 2019.

“Spigen Ultra Hybrid Galaxy S8 Plus Case with Air Cushion Technology and Hybrid Drop Protection for Galaxy S8 Plus (2017)—Crystal Clear”, <https://www.amazon.com/dp/B06XP7S564> Earliest review date of Apr. 4, 2017, Downloaded on Aug. 8, 2018.

“Spigen Ultra Hybrid Galaxy S8 Case with Air Cushion Technology and Hybrid Drop Protection for Samsung Galaxy 38 (2017)—Crystal Clear”, <https://www.amazon.com/dp/B06XP5YQNO>, Earliest review date of Apr. 7, 2017, Downloaded on Jul. 30, 2018.

“Spigen Ultra Hybrid S Galaxy S8 Plus Case with Air Cushion Technology and Magnetic Metal Kickstand for Galaxy 38 Plus (2017)—Crystal Clear”, <https://www.amazon.com/dp/B06XNSZJ31>, Earliest review date of Apr. 9, 2017, Downloaded on Aug. 8, 2018.

“Spigen Ultra Hybrid Galaxy A7 2017 Case with Air Cushion Technology and Hybrid Drop Protection for Samsung Galaxy A7 (2017)—Crystal Clear”, <https://www.amazon.com/dp/B01N9JDOMH>, Earliest review date of May 6, 2017, Downloaded on Aug. 8, 2018.

“Spigen Ultra Hybrid Sony Xperia Xz Premium Case with Air Cushion Technology and Hybrid Drop Protection for Sony Kperia XZ Premium (2017)—Crystal Clear”, <https://www.amazon.com/dp/B071VZ1176>, Earliest review date of Jul. 15, 2017, Downloaded on Jan. 8, 2019.

“Spigen Ultra Hybrid OnePlus 5 Case with Air Cushion Technology and Hybrid Drop Protection for OnePlus 5 (2017) Crystal Clear”, <https://www.amazon.com/dp/B06XFSQFMW>, Earliest review date of 20170820, Downloaded on Jan. 8, 2019.

“Spigen Ultra Hybrid Galaxy Note 8 Case with Air Cushion Technology and Hybrid Drop Protection for Galaxy Note 8 (2017)—Midnight Black”, <https://www.amazon.com/dp/B073RWN5QP>, Earliest review date of 20170903, Downloaded 3ri Aug. 8, 2018.

“Spigen Ultra Hybrid S Galaxy Note 8 Case with Air Cushion Technology and Magnetic Metal Kickstand for Galaxy Note 8 (2017)—Crystal Clear”, <https://www.amazon.com/dp/B073RWFZQH>, Earliest review date of 20170908, Downloaded on Jul. 30, 2018.

“Spigen Ultra Hybrid Designed for Apple iPhone Xs Case (2018) / Designed for Apple iPhone X Case (2017)—Crystal Clear”, <https://www.amazon.com/dp/B074CMMCZM>, Earliest review date of 20170913, Downloaded on Jan. 8, 2019.

“Spigen Ultra Hybrid S [2nd Generation] iPhone 8 Case/iPhone 7 Case with Air Cushion Technology and Magnetic Metal Kickstand for Apple iPhone 8 (2017) / iPhone 7 (2016)—Crystal Clear”, <https://www.amazon.com/dp/307482GSK2>, Earliest review date of Sep. 13, 2017, Downloaded on Jan. 8, 2019.

“Spigen Ultra Hybrid S [2nd Generation] iPhone 8 Plus Case/iPhone 7 Plus Case with Air Cushion Technology and Kickstand for Apple iPhone 8 Plus (2017) / iPhone 7 Plus (2016)—Crystal Clear”, <https://www.amazon.com/dp/3074833H3M>, Earliest review date of Sep. 30, 2017, Downloaded on Jan. 8, 2019.

“Spigen Ultra Hybrid S Designed for Apple iPhone Xs Case (2018) / Designed for Apple iPhone X Case (2017) crystal Clear”, <https://www.amazon.com/dp/B074CMHVKY>, Earliest review date of Oct. 19, 2017, Downloaded on Jan. 8, 2019.

“Spigen Ultra Hybrid Sony Xperia XZ1 Case with Air Cushion Technology and Hybrid Drop Protection for Sony Xperia XZ1 (2017)—Crystal Clear”, <https://www.amazon.com/dp/B075DWY35G>, Earliest review date of Dec. 11, 2017, Downloaded on Jan. 8, 2019.

“Review: Griffin Reveal Case for iPhone 5”, <http://www.ilounge.com/index.php/reviews/entry/griffin-reveal-case-for-phone-5/>, Earliest review date of Oct. 16, 2012, Downloaded on Feb. 6, 2019.

“Review: Griffin Reveal for iPhone 5”, <http://www.ilounge.com/index.php/reviews/entry/griffin-reveal-for-iphone-5c/>, Earliest review date of Oct. 10, 2013, Downloaded on Feb. 5, 2019.

“Spigen Ultra Hybrid Galaxy S8 Case with Air Cushion Technology and Hybrid Drop Protection for Galaxy S8 2015 Midnight Black”, <https://www.amazon.com/Dp/B06XP7JTRC>, Earliest review date of Apr. 10, 2017, Downloaded on Jul. 30, 2018.

“Spigen Ultra Hybrid Galaxy S9 Plus Case with Air Cushion Technology and Hybrid Drop Protection for Galaxy S9 Plus (2018)—Matte Black”, <https://www.amazon.com/Dp/B078B8PM95>, Earliest review date of Mar. 4, 2018, Downloaded on Jul. 30, 2018.

“Spigen Ultra Hybrid Galaxy S9 Case with Air Cushion Technology and Clear Hybrid Drop Protection for Samsung Galaxy S9 (2018)—Coral Blue”, <https://www.amazon.com/Dp/B078FGB7TT>, Earliest review date of Mar. 9, 2018, Downloaded on Jan. 8, 2019.

“Spigen Ultra Hybrid Galaxy S9 Plus Case with Air Cushion Technology and Clear Hybrid Drop Protection for Samsung Galaxy S9 Plus (2018)—Crystal Clear”, <https://www.amazon.com/Dp/B078B1HB7Z/>, Earliest review date of Mar. 15, 2018, Downloaded on Jan. 8, 2019.

“Spigen Ultra Hybrid S Galaxy S9 Case with Slim Clear Protection Air Cushion Technology and Magnetic Metal Kickstand for Samsung Galaxy S9 (2018)—Midnight Black”, <https://www.amazon.com/Spigen-Protection-Technology-Magnetic-Kickstand/dp/B078KPFMCC>, Earliest review date of Mar. 16, 2018, Downloaded on Jan. 8, 2019.

“Spigen Ultra Hybrid Huawei P20 Pro Case with Air Cushion Technology and Clear Hybrid Drop Protection for Huawei J20 Pro (2018)—Crystal Clear”, <https://www.amazon.com/Spigen-Hybrid-Cushion-Technology-Protection/dp/B07BS765MR>, Earliest review date of May 16, 2018, Downloaded on Jan. 8, 2019.

“Spigen Ultra Hybrid Designed for Apple iPhone X Case (2017)—Crystal Clear (Certified Refurbished)”, <https://www.amazon.com/Spigen-Ultra-Hybrid-Designed-iPhone/dp/B07FR1TQML>, Earliest review date of May 31, 2018, Downloaded on Jan. 8, 2019.

“Spigen Ultra Hybrid Huawei P20 lite Case with Air Cushion Technology and Clear Hybrid Drop Protection for Huawei J20 lite (2018)—Black”, <https://www.amazon.com/Spigen-Hybrid-Cushion-Technology-Protection/dp/B078YJ2FNG>, Earliest review date of Jun. 7, 2018, Downloaded on Jan. 8, 2019.

“Spigen Ultra Hybrid Galaxy A8 Case with Air Cushion Technology and Hybrid Drop Protection for Galaxy A8 (2018) Vlatte Black”, <https://www.amazon.com/Spigen-Hybrid-Cushion-Technology-Protection/dp/B077MW2MS9>, Earliest review date of Jun. 19, 2018, Downloaded on Jan. 8, 2019.

“Spigen Ultra Hybrid Galaxy Note 9 Case with Air Cushion Technology and Hybrid Drop Protection for Galaxy Note 9 2018)—Ocean Blue”, <https://www.amazon.com/Spigen-Hybrid-Cushion-Technology-Protection/dp/B07GDTMKP7>, Earliest review date of Aug. 17, 2018, Downloaded on Jan. 8, 2019.

* cited by examiner

FIG. 1

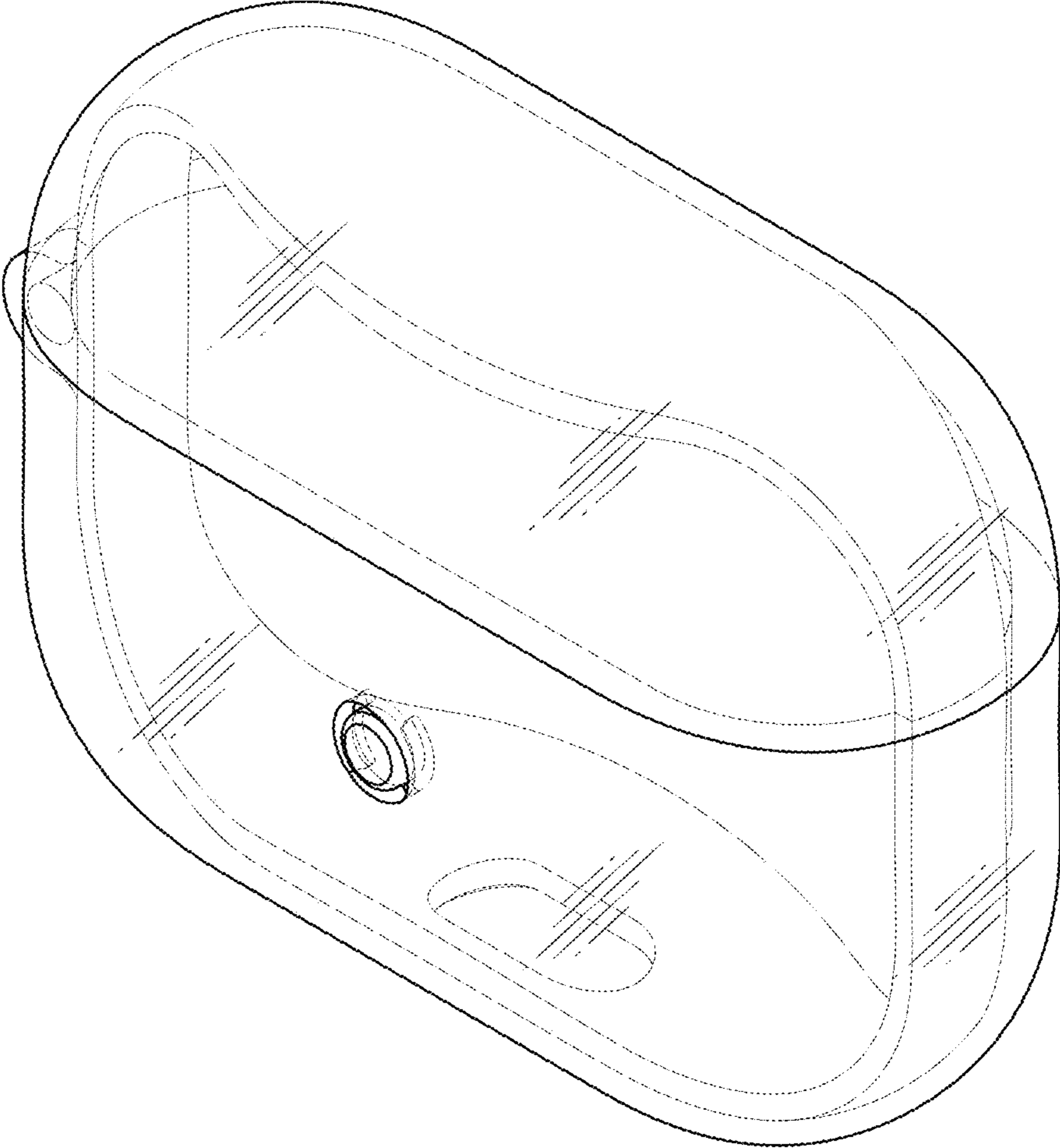


FIG. 2

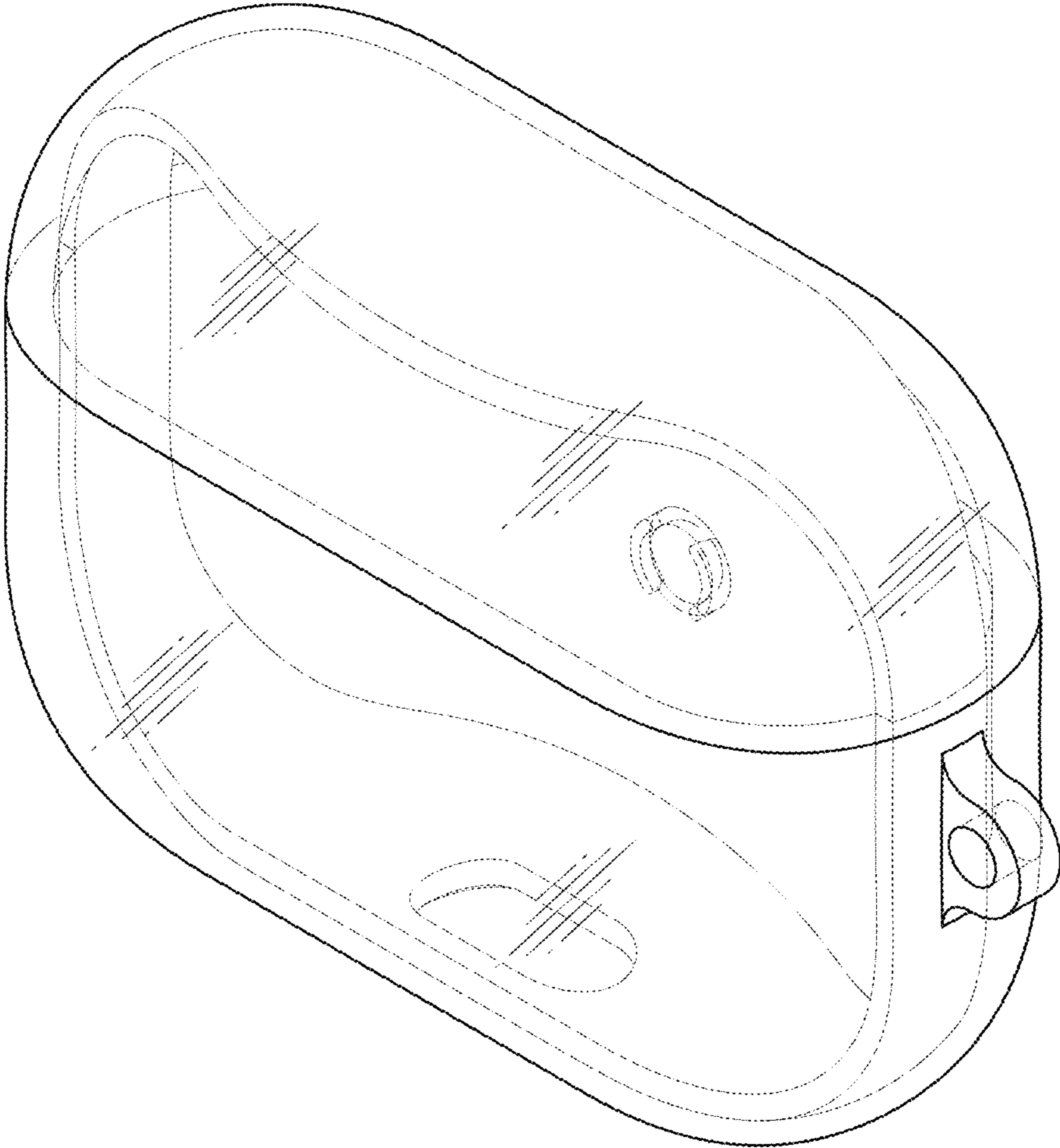


FIG. 3

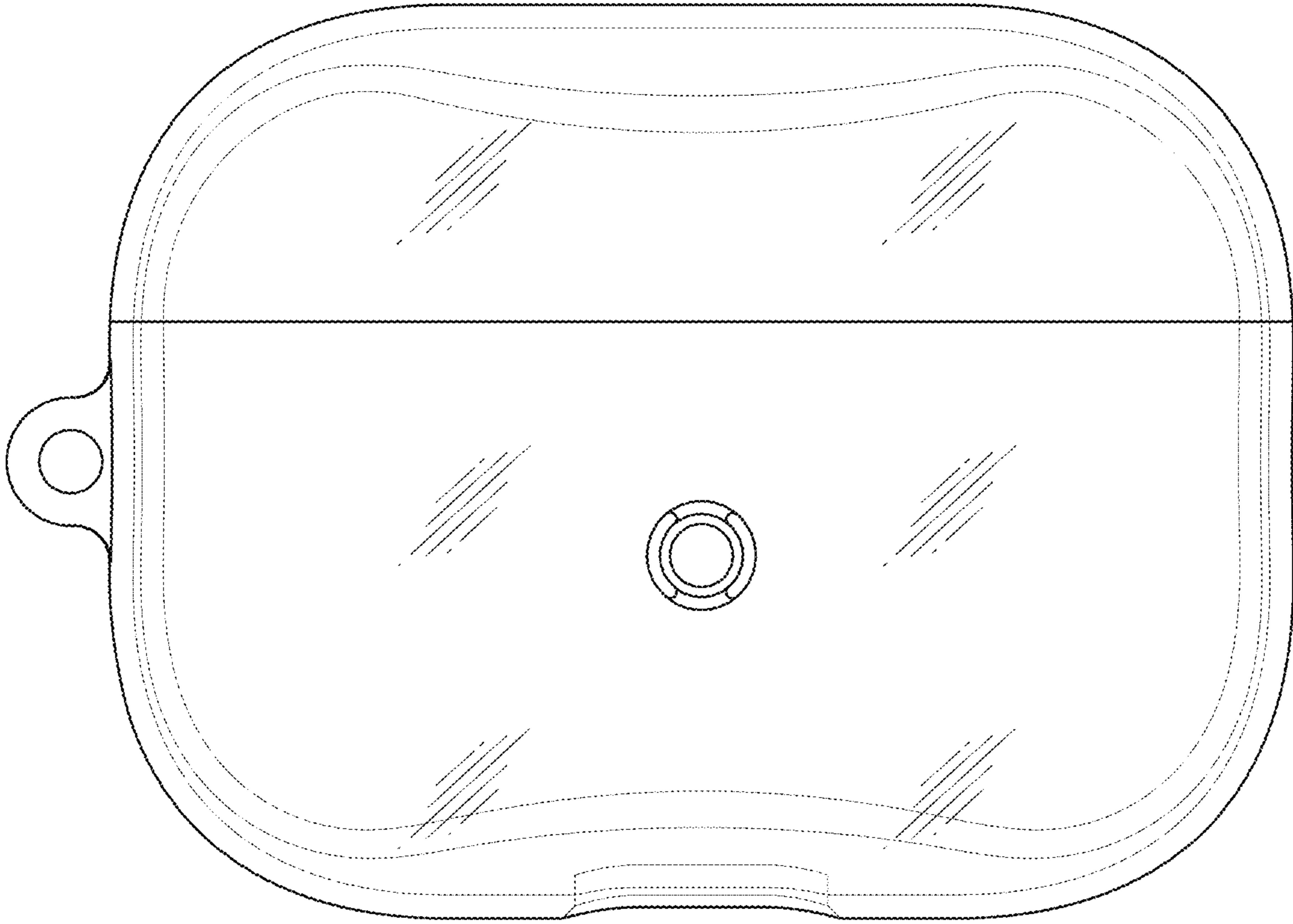


FIG. 4

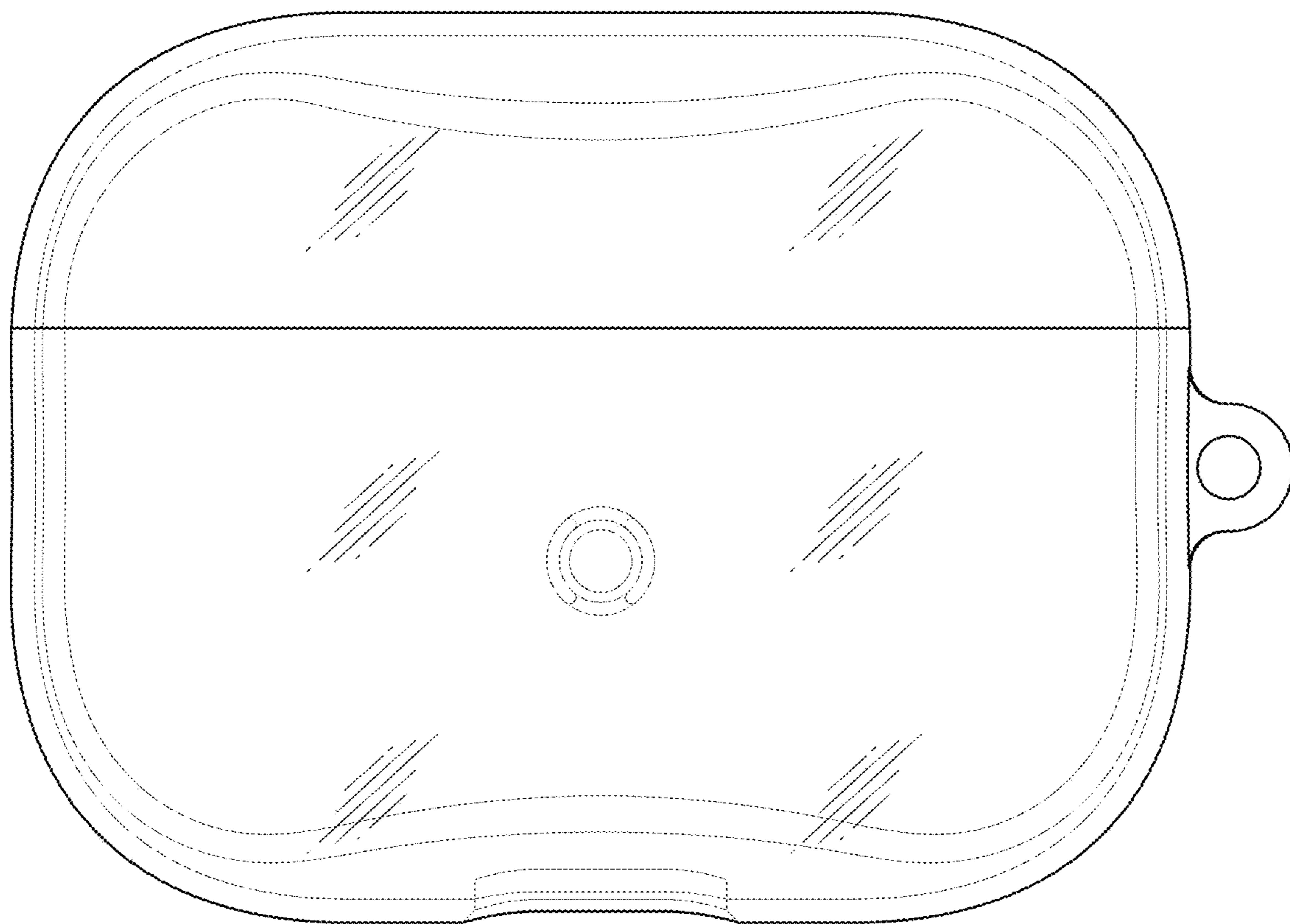


FIG. 5

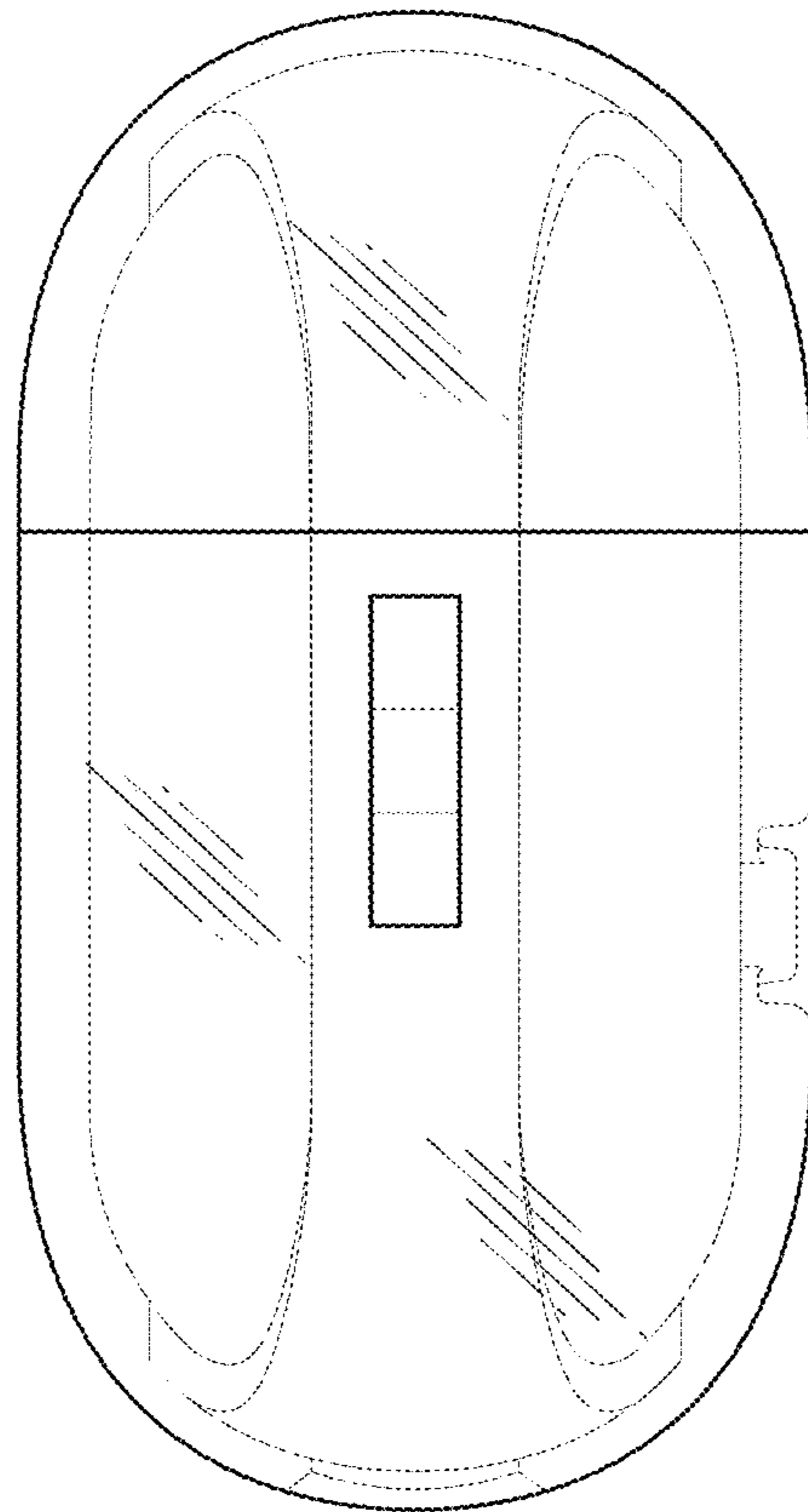


FIG. 6

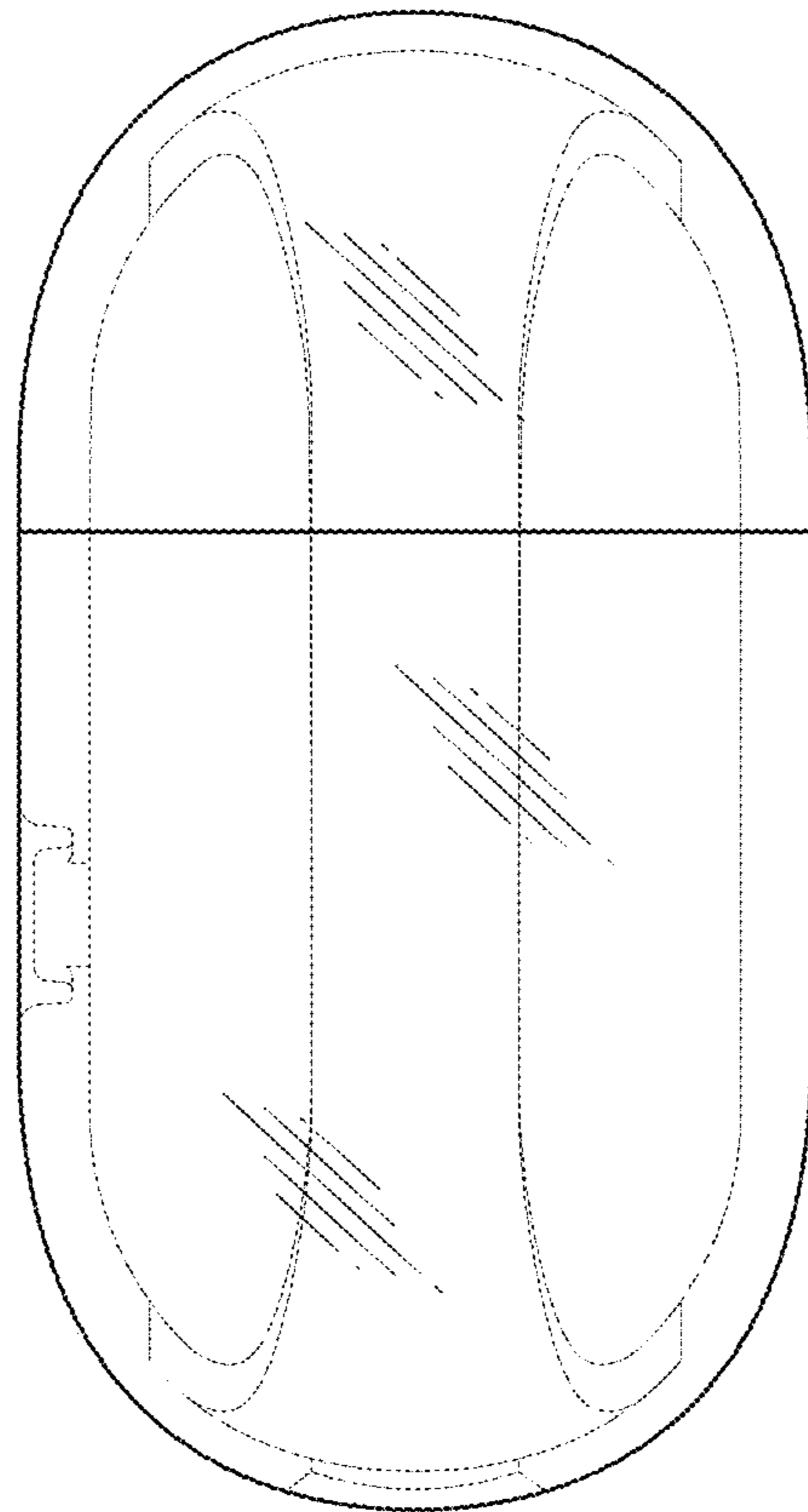


FIG. 7

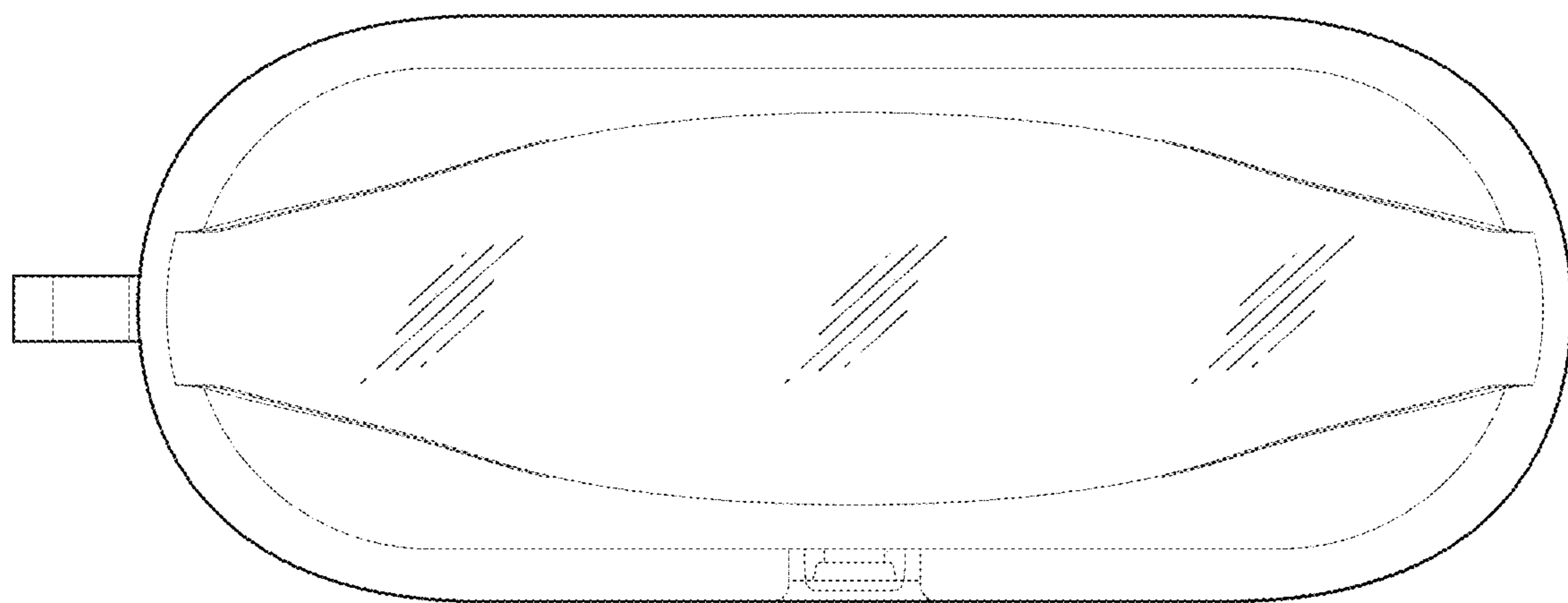


FIG. 8

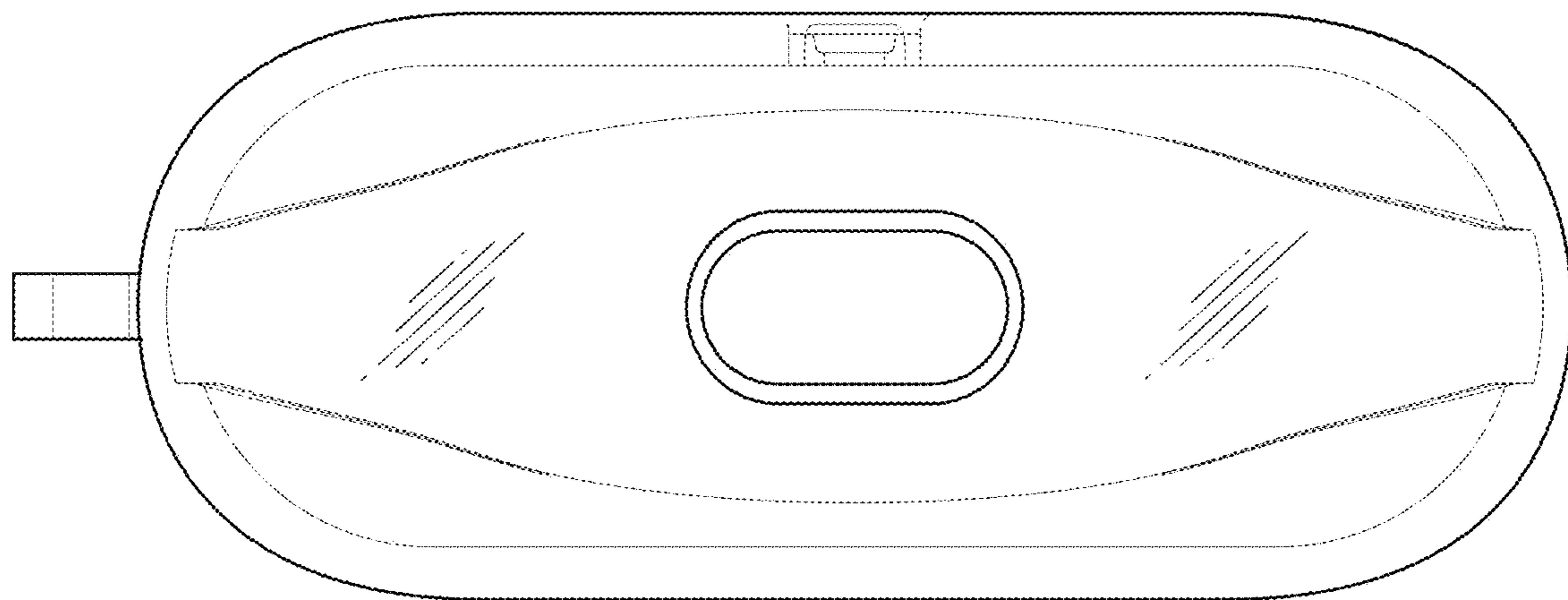


FIG. 9

