



US00D903987S

(12) **United States Design Patent**
Shahid et al.

(10) **Patent No.:** **US D903,987 S**
(45) **Date of Patent:** **** Dec. 8, 2020**

(54) **BOOT**

D872,979 S * 1/2020 Francis D2/910
D872,986 S * 1/2020 Ledbetter D2/970
D881,533 S * 4/2020 Post D2/910

(71) Applicant: **Honeywell International Inc.**, Morris Plains, NJ (US)

(72) Inventors: **Naveed Shahid**, Hyderabad (IN);
Ataur Rahman, Hyderabad (IN);
Rishabh Chaturvedi, Bangalore (IN);
Ramesh M, Hyderabad (IN); **Syed Habib Hussain**, Hyderabad (IN)

(73) Assignee: **HONEYWELL INTERNATIONAL INC.**, Morris Plains, NJ (US)

(**) Term: **15 Years**

(21) Appl. No.: **29/699,569**

(22) Filed: **Jul. 26, 2019**

(51) **LOC (12) Cl.** **02-04**

(52) **U.S. Cl.**
USPC **D2/910; D2/970**

(58) **Field of Classification Search**
USPC D2/896-900, 909-915, 946, 969-974
CPC .. A43B 3/02; A43B 5/145; A43B 7/06; A43B 3/08; A43B 23/00; A43B 23/02
See application file for complete search history.

(56) **References Cited**

U.S. PATENT DOCUMENTS

D519,271 S * 4/2006 Hoeft D2/972
D520,723 S * 5/2006 Hoeft D2/972
D606,289 S * 12/2009 Hubner D2/910
D645,653 S * 9/2011 Cook D2/970
8,307,568 B2 * 11/2012 Bell A43B 7/32
36/4
D691,352 S * 10/2013 Scherf D2/910
D722,761 S * 2/2015 Monroy D2/970
D747,078 S * 1/2016 Feller D2/910

OTHER PUBLICATIONS

Fire Dex Leather Structure Boot, [online] [retrieved Jul. 25, 2019], retrieved from the Internet <URL: www.fire-etc.com/FireDexLeatherStructureBoot/?gclid=EALalQobChM16v-f8_13Q4w1VIJ-fCh3Q8gdGEAQYASABEgljxPD_BwE> 1 page.
FireDex FDXL 100 Red Leather Boot, [online] [retrieved Jul. 25, 2019], retrieved from the Internet <URL: https://s3-us-east-2.amazonaws.com/s3.firedex.com/wp-content/uploads/2016/05/14125921/FireDex_FDXL_100RedLeatherBoot_Singlejpg> 1 page.
FW055 Boot, [online] [retrieved Jul. 25, 2019], retrieved from the Internet <URL: https://static1.galls.com/photos/styles/FW055_500_1.JPG> 1 page.

(Continued)

Primary Examiner — Rashida C. Walshon

(74) *Attorney, Agent, or Firm* — Alston & Bird LLP

(57) **CLAIM**

We claim the ornamental design for a boot, as shown and described.

DESCRIPTION

FIG. 1 is a perspective view of a boot showing the new design;
FIG. 2 is a left side elevation view thereof;
FIG. 3 is a right side elevation view thereof;
FIG. 4 is a front elevation view thereof;
FIG. 5 is a rear elevation view thereof;
FIG. 6 is a top plan view thereof; and,
FIG. 7 is a bottom plan view thereof.

The broken lines adjacent to the shaded areas depict boundaries of the claim and form no part of the claimed design. All other broken lines are directed to unclaimed portions of the boot and form no part of the claimed design.

1 Claim, 7 Drawing Sheets



(56)

References Cited

OTHER PUBLICATIONS

FW654 Boot, [online] [retrieved Jul. 25, 2019], retrieved from the Internet <URL: https://static3.galls.com/photos/styles/FW654_1500_3.jpg> 1 page.

Honeywell 14 Pro Warrington Leather Boots, [online] [retrieved Jul. 25, 2019], retrieved from the Internet <URL: https://cdn.shopify.com/s/files/1/0066/4289/2861/products/honeywell-14-pro-warrington-leather-boots-boots-honeywell-4730168639549_1800x1800Jpg> 1 page.

Honeywell 14 Pro Warrington Leather Boots, [online] [retrieved Jul. 25, 2019], retrieved from the Internet <URL: <https://tiresafetyusa.com/products/honeywell-14-pro-leather-boots>> 1 page.

Men's Structural Firefigting Boots, Size 10 1/2, Footwear Width: M, Footwear Closure Type: Pull on, [online] [retrieved Jul. 25, 2019], retrieved from the Internet <URL: https://www.grainger.com/product/9XW41?gclid=EAla1QobChM16_TN5uPQ4w1Vh56zCh3WowuQEAQYBSABEgI3X_D_BwE&cm_mmc=PPC:+Google> 1 page.

Pro Warrington 3009 14" Structural Firefigting Boots, [online] [retrieved Jul. 25, 2019], retrieved from the Internet <URL: <https://www.thefirestore.com/store/product.aspx/productId/13570>> 1 page.

Pro Warrington 5006 14 Inch Black Power Toe Boot Power Heel Leather Advanced Rip Stop With Sloped Back Structure Boot, [online] [retrieved Jul. 25, 2019], retrieved from the Internet <URL: www.fire-etc.com/pro-warrington-5006-14-inch-black-power-toe-power-heel-leather-advance-rip-stop-with-sloped-back-structure-boott> 1 page.

Pro-5006 Boot, [online] [retrieved Jul. 25, 2019], retrieved from the Internet <URL: https://cdn.shopify.com/s/files/1/2640/4122/products/PRO-5006_600x.jpg?v=1530209703> 1 page.

Thorogood Boots: Men's Steel Toe 804-6369 Puncture Cut Resistant FR Boots, [online] [retrieved Jul. 25, 2019], retrieved from the Internet <URL: <https://workingperson.com/thorogood-steel-toe-puncture-resistant-fr-804-6369-boots.html>> 1 page.

X2 Boot 14" Leather Fusion Structural Boots, [online] [retrieved Jul. 25, 2019], retrieved from the Internet <URL: <https://www.thefirestore.com/store/product.aspx/productId/10700>> 1 page.

Office Action for India Design Application No. 325756-001, dated Feb. 19, 2020, 2 pages.

* cited by examiner



FIG. 1



FIG. 2



FIG. 3

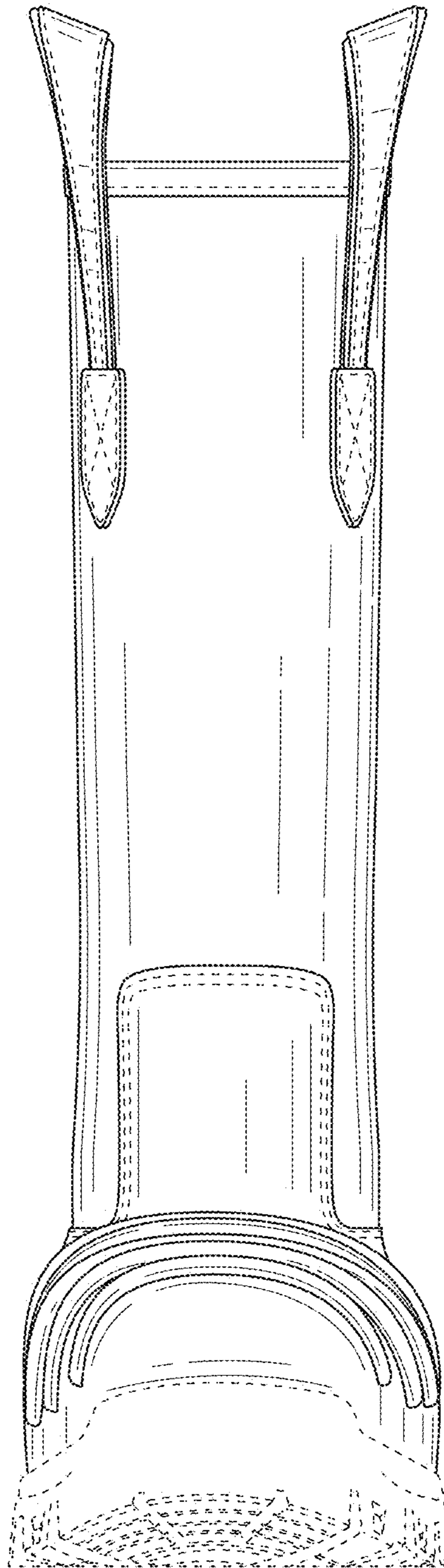


FIG. 4

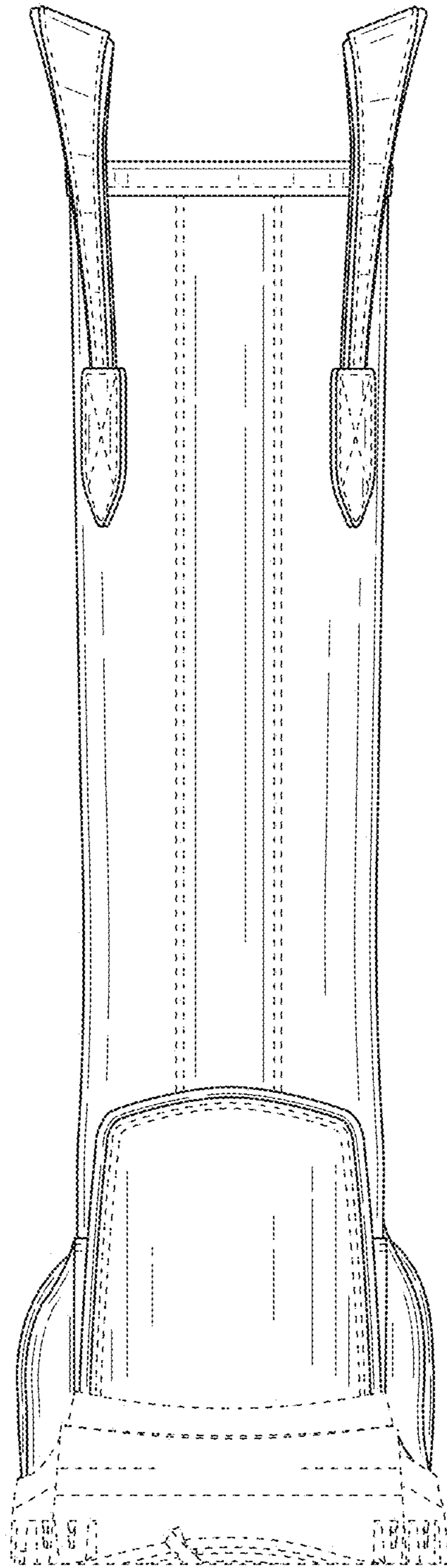


FIG. 5

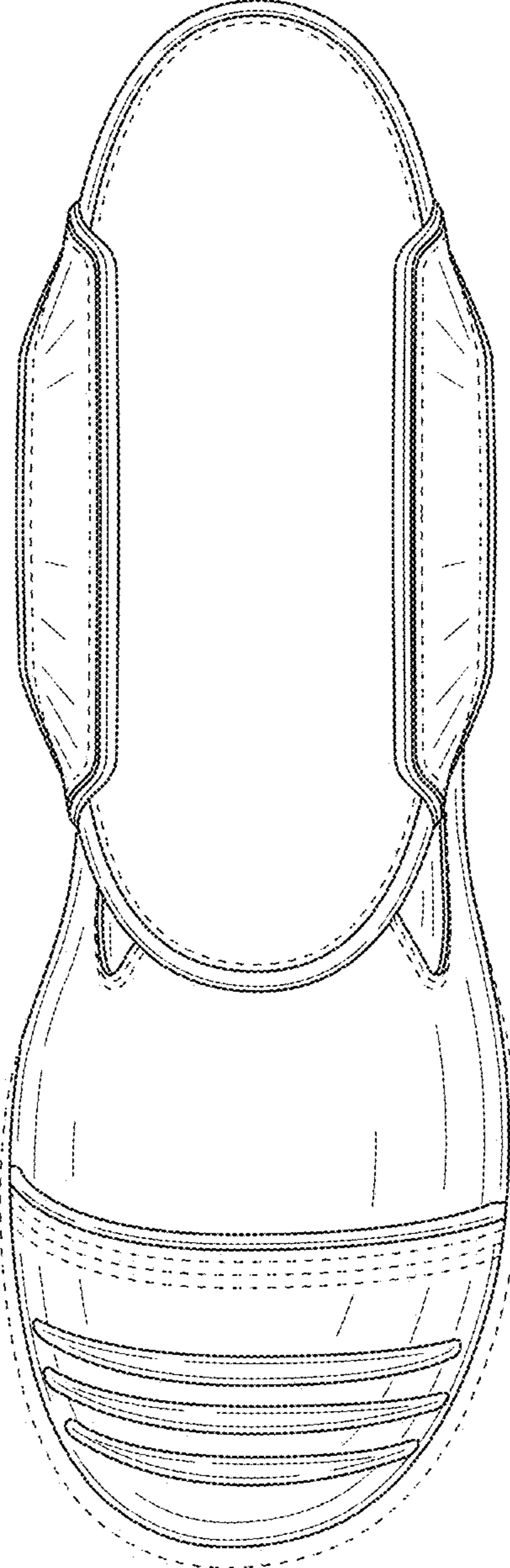


FIG. 6

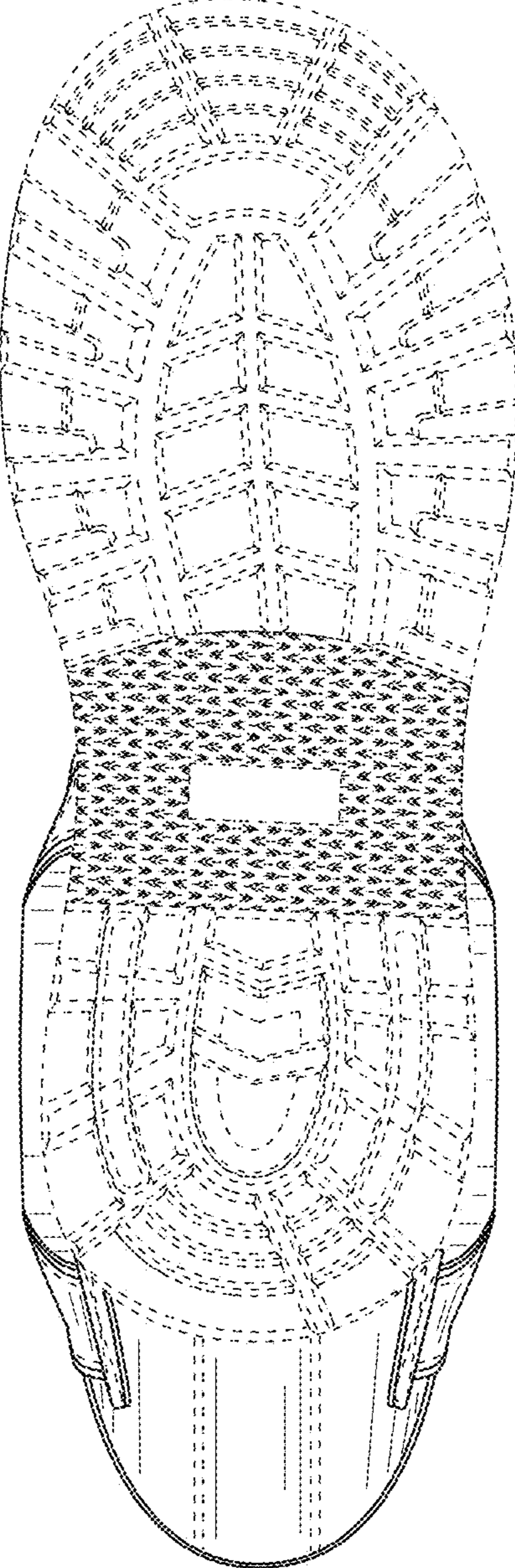


FIG. 7