



US00D903986S

(12) **United States Design Patent** (10) **Patent No.:** **US D903,986 S**  
**Cannon et al.** (45) **Date of Patent:** **\*\* Dec. 8, 2020**

(54) **INFANT BIB**

FOREIGN PATENT DOCUMENTS

(71) Applicant: **i play. inc.**, Asheville, NC (US)  
(72) Inventors: **Becky B. Cannon**, Asheville, NC (US);  
**Emi Kubota**, Asheville, NC (US)

EP 1090560 A2 4/2001  
FR 2844679 A1 3/2004  
(Continued)

(73) Assignee: **Green Sprouts, Inc.**

OTHER PUBLICATIONS

(\*\*) Term: **15 Years**

Bumkins Sleeved Bib by Bumkins, posted to amazon.com. Available date: Jul. 31, 2012 [site visited Jul. 31, 2020] Available: <<https://www.amazon.co.uk/HippyChick-Bumkins-Sleeved-Bib-Owl/dp/B004V5WCJM?tag=mad06e-21&ascsubtag=89313>> (Year: 2012).\*

(21) Appl. No.: **29/660,955**

(Continued)

(22) Filed: **Aug. 23, 2018**

(51) **LOC (12) Cl.** ..... **02-02**

(52) **U.S. Cl.**  
USPC ..... **D2/864**

*Primary Examiner* — Kevin K Rudzinski  
(74) *Attorney, Agent, or Firm* — Luedeka Neely Group, PC

(58) **Field of Classification Search**  
USPC ..... D2/864, 861, 863  
CPC ..... A41B 13/10; A41B 13/103; A41B 13/106  
See application file for complete search history.

(57) **CLAIM**

The ornamental design for an infant bib, as shown and described.

(56) **References Cited**

**DESCRIPTION**

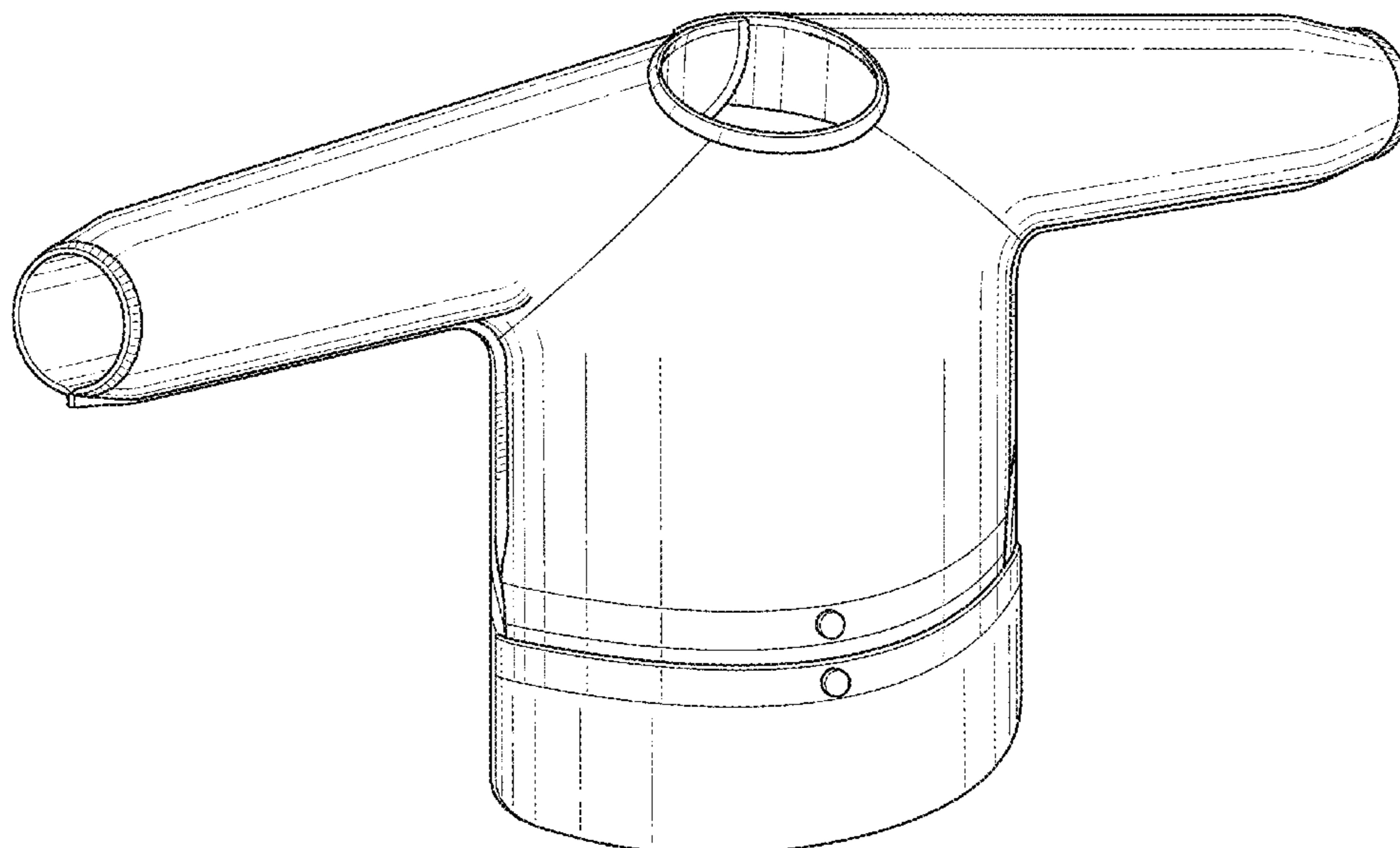
U.S. PATENT DOCUMENTS

114,366 A	5/1871	Thomson	
453,490 A	6/1891	Kropp	
677,010 A	6/1901	Ziller	
879,124 A	2/1908	Thompson	
D59,555 S *	11/1921	Ladd	D2/861
2,446,689 A	8/1948	Brose et al.	
D152,879 S	3/1949	Angeles	
2,672,614 A	3/1954	Zimmerman et al.	
3,146,464 A	9/1964	Burnett	
3,407,407 A	10/1968	Smith et al.	
D216,291 S	12/1969	Korshak	
D288,022 S *	2/1987	Marconi	D2/841
4,663,779 A	5/1987	Bible	
4,860,381 A	8/1989	Bartley	
4,884,298 A *	12/1989	Silas	A41B 13/10 2/49.1
D344,393 S *	2/1994	Winter	D2/844
D351,712 S *	10/1994	Jackson	D2/720

(Continued)

FIG. 1 is a frontal perspective view of an infant bib of our new design.  
FIG. 2 is a front elevation view of the infant bib of our new design.  
FIG. 3 is a rear elevation view of the infant bib of our new design.  
FIG. 4 is a right side view of the infant bib of our new design.  
FIG. 5 is a left side view of the infant bib of our new design.  
FIG. 6 is a top plan view of the infant bib of our new design.  
FIG. 7 is a bottom plan view of the infant bib of our new design; and,  
FIG. 8 is a frontal perspective view of the infant bib of new design folded for storage.

**1 Claim, 6 Drawing Sheets**



(56)

References Cited

U.S. PATENT DOCUMENTS

D356,204 S \* 3/1995 Derrickson ..... D2/720  
 D382,987 S 9/1997 Johnson, Jr.  
 D383,891 S 9/1997 Hill  
 5,671,479 A 9/1997 Dedrick  
 D389,290 S \* 1/1998 James ..... D2/860  
 D394,339 S 5/1998 Hill  
 D402,087 S \* 12/1998 Scherich ..... D2/861  
 D416,663 S 11/1999 Thomas  
 6,000,056 A 12/1999 Brady et al.  
 6,021,521 A 2/2000 Baratta  
 6,105,165 A 8/2000 Johnson et al.  
 6,141,798 A \* 11/2000 Manning ..... A41B 13/103  
 2/46  
 D456,117 S \* 4/2002 Henning, Jr. .... D2/860  
 6,381,751 B1 5/2002 Benjamin et al.  
 D458,436 S \* 6/2002 Santillana ..... A41B 13/10  
 D2/860  
 6,408,439 B1 \* 6/2002 Garforth-Crippen .....  
 A41B 13/00  
 2/80  
 6,481,016 B1 11/2002 Rees  
 6,499,140 B1 12/2002 Benjamin et al.  
 D473,364 S 4/2003 Conte  
 6,581,210 B2 6/2003 Kaloustian  
 D491,342 S 6/2004 Jordan  
 6,742,189 B2 \* 6/2004 Bennett ..... A41B 13/103  
 2/49.1  
 D499,530 S 12/2004 Mintz et al.  
 D507,393 S \* 7/2005 Gabrielson ..... D2/860  
 7,076,807 B2 7/2006 Bergkvist  
 D526,765 S 8/2006 Lown et al.  
 7,143,448 B1 12/2006 Gottehrer  
 D539,513 S \* 4/2007 Billings ..... D2/828  
 D541,012 S 4/2007 Gottehrer  
 7,269,857 B2 9/2007 Cymbol  
 7,278,171 B1 10/2007 Besch  
 D582,126 S \* 12/2008 Lesperance ..... D2/745  
 7,469,425 B2 12/2008 DeStefano  
 7,496,970 B2 3/2009 Gors  
 D591,484 S 5/2009 Lindh  
 D625,903 S 10/2010 Conley  
 7,947,024 B2 5/2011 Ramage et al.  
 D648,509 S 11/2011 Hansen et al.  
 8,056,146 B2 \* 11/2011 Porowski ..... A41D 13/1209  
 2/51

D653,019 S \* 1/2012 Bond ..... D2/861  
 D657,940 S \* 4/2012 Edery ..... D2/860  
 8,151,370 B2 4/2012 Perazzo  
 8,166,571 B2 5/2012 Fletcher  
 D661,468 S 6/2012 Michaels et al.  
 D684,752 S 6/2013 Nguyen  
 D690,909 S 10/2013 Albers  
 D698,130 S 1/2014 Worden et al.  
 D699,926 S 2/2014 Sakanishi  
 D737,546 S \* 9/2015 Sewall ..... D2/861  
 9,226,529 B2 1/2016 Monahon  
 D749,301 S 2/2016 Sample  
 9,289,015 B2 3/2016 Kassis  
 D758,051 S 6/2016 Feeley et al.  
 D781,531 S 3/2017 Butler et al.  
 D790,813 S \* 7/2017 Kashouty ..... D2/860  
 D793,673 S 8/2017 Vlad  
 D809,249 S \* 2/2018 Hanosek ..... D2/743  
 2007/0143904 A1 6/2007 Brown  
 2007/0250979 A1 11/2007 Han  
 2009/0019615 A1 1/2009 Young  
 2012/0047617 A1 3/2012 Didiodato  
 2014/0173800 A1 6/2014 Wulf et al.  
 2014/0250557 A1 9/2014 Amrikhas  
 2015/0135397 A1 \* 5/2015 Levine ..... A41D 13/1209  
 2/114  
 2015/0272229 A1 10/2015 Lu

FOREIGN PATENT DOCUMENTS

GB 2450106 A 12/2008  
 GB 2440900 B 8/2010  
 JP 2005089903 A 4/2005  
 WO 2008020197 A1 2/2008  
 WO 2017196893 A1 11/2017

OTHER PUBLICATIONS

Kladdig Bib by Ikea, posted to ikea.com. Available date: 2017 [site visited Jul. 31, 2020] Available: <<https://www.ikea.com/us/en/p/kladdig-bib-multicolor-80307223/>> (Year: 2017).  
 Brother Max Intellectual Property; www.brothermax.com; 1 page; Mar. 22, 2018.  
 JP 1592674 (D1592674); Dec. 11, 2017; The Apron for a Meal; Inventors Gamogori-shi et al.

\* cited by examiner

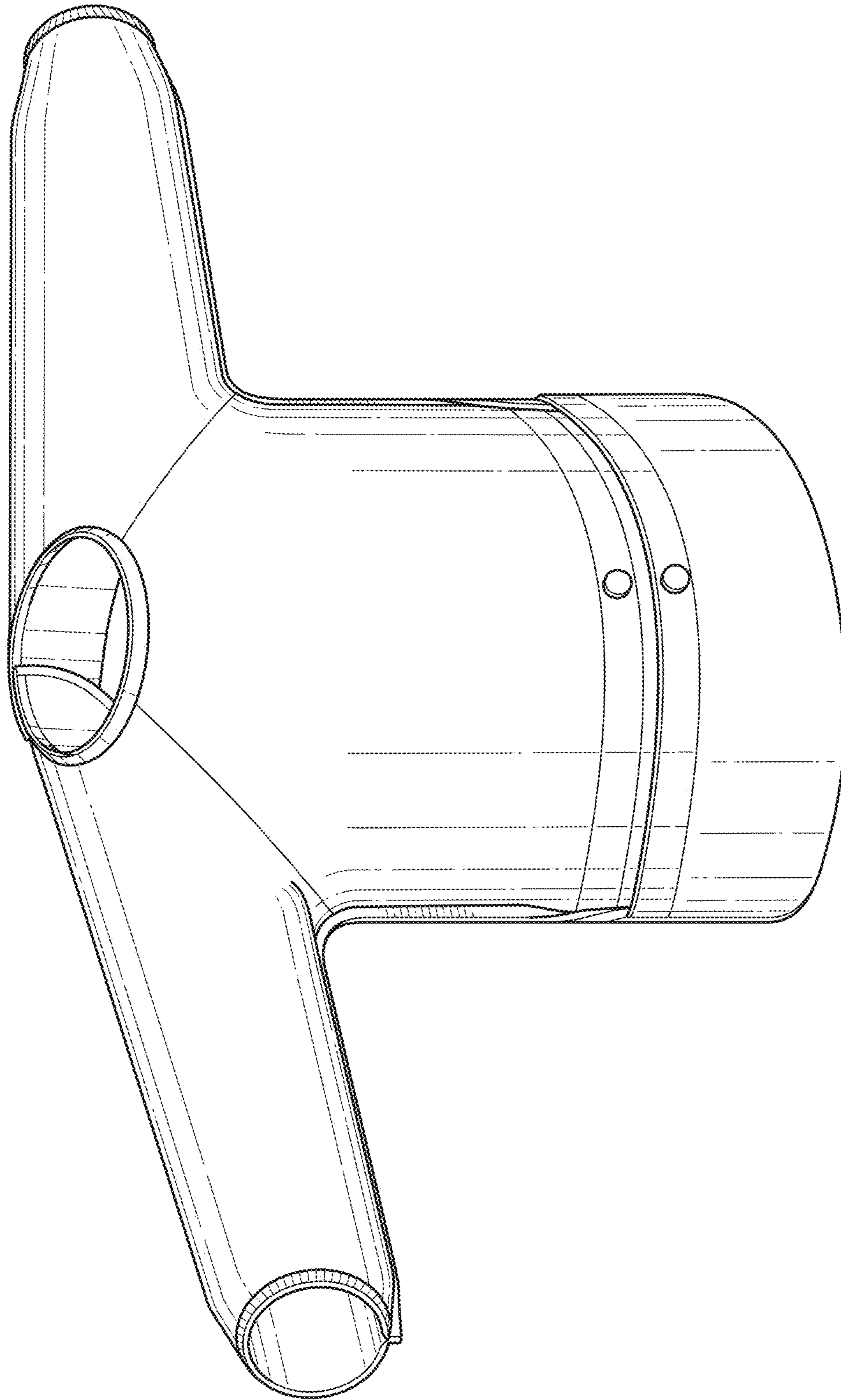


FIG. 1

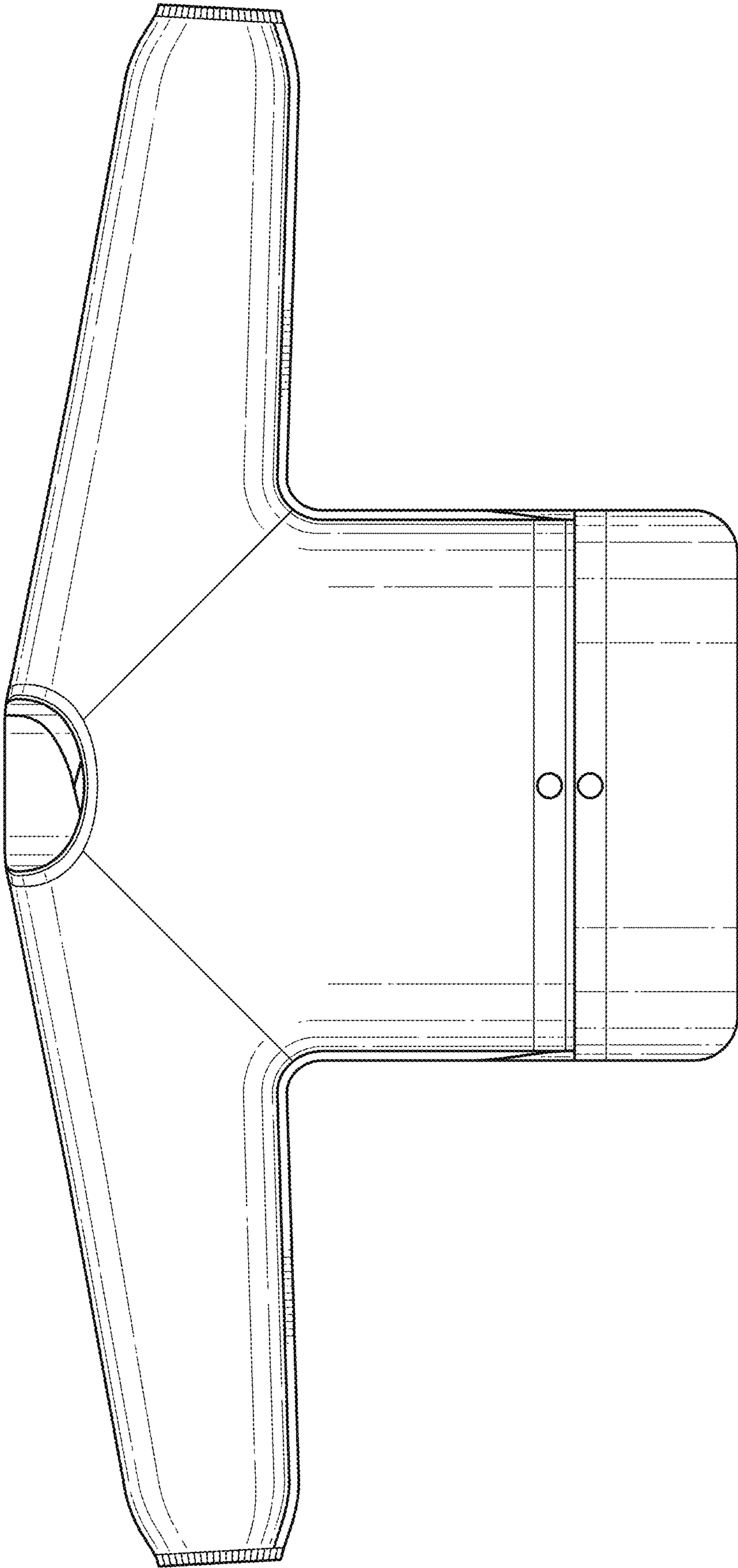


FIG. 2

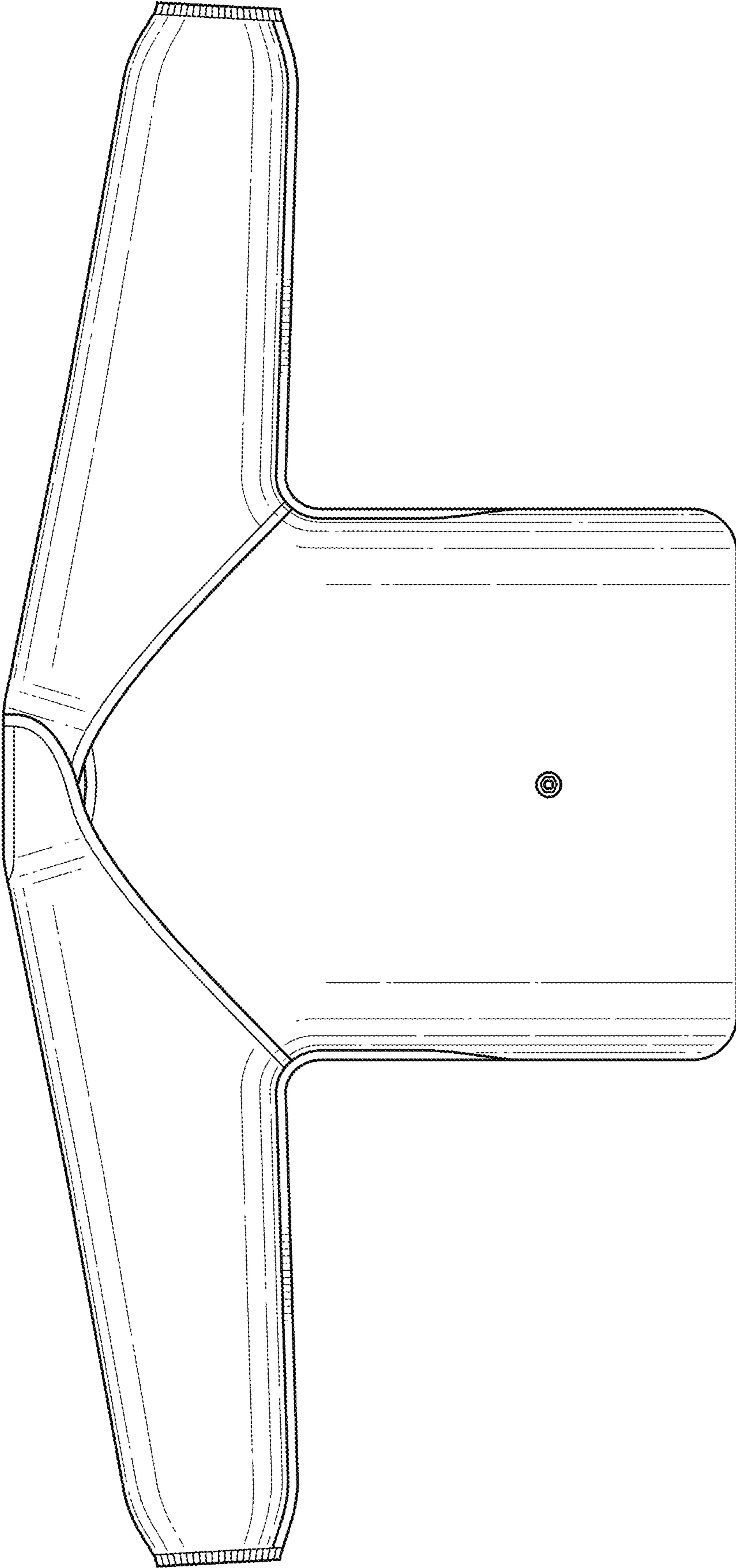


FIG. 3

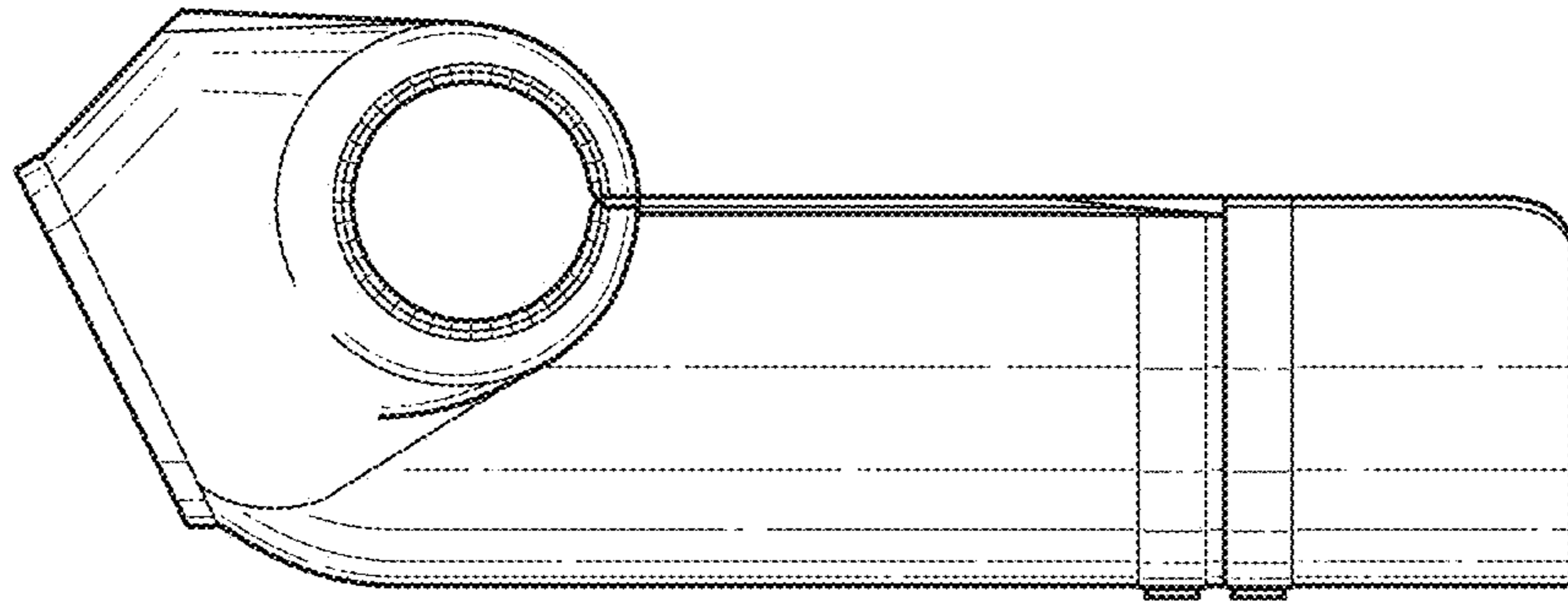


FIG. 5

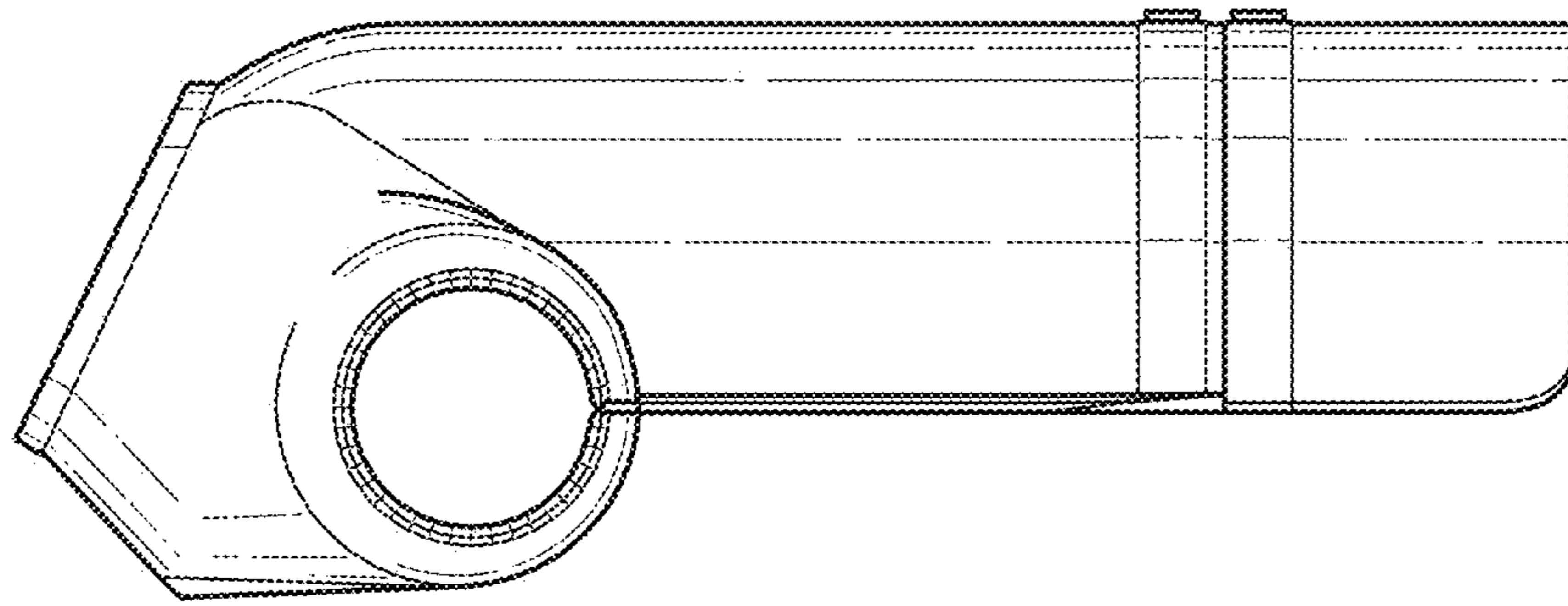


FIG. 4

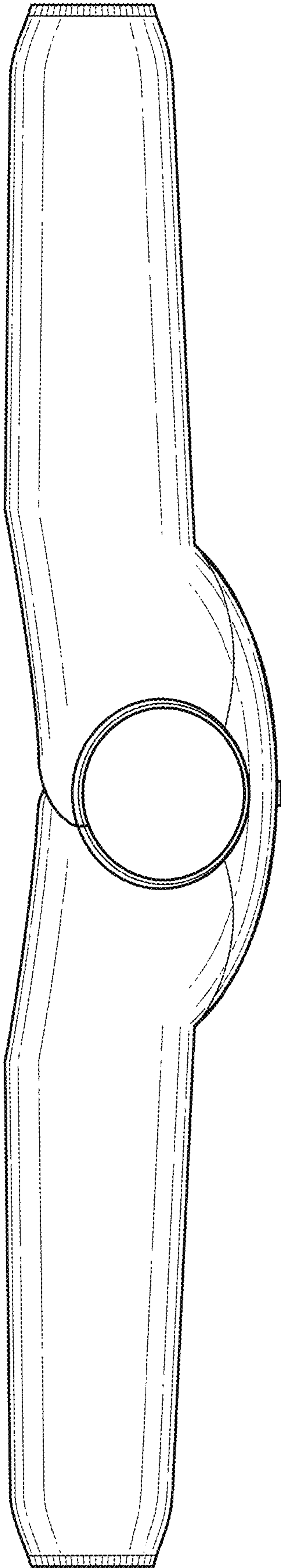


FIG. 6

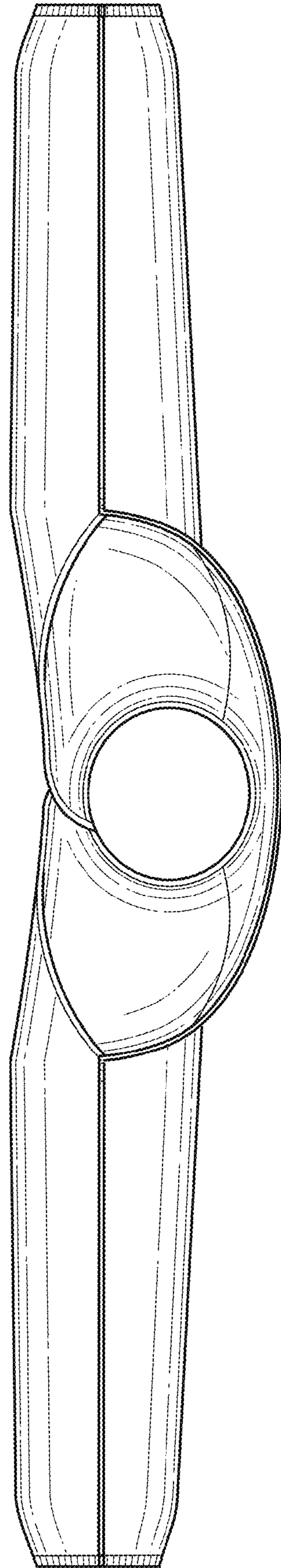


FIG. 7

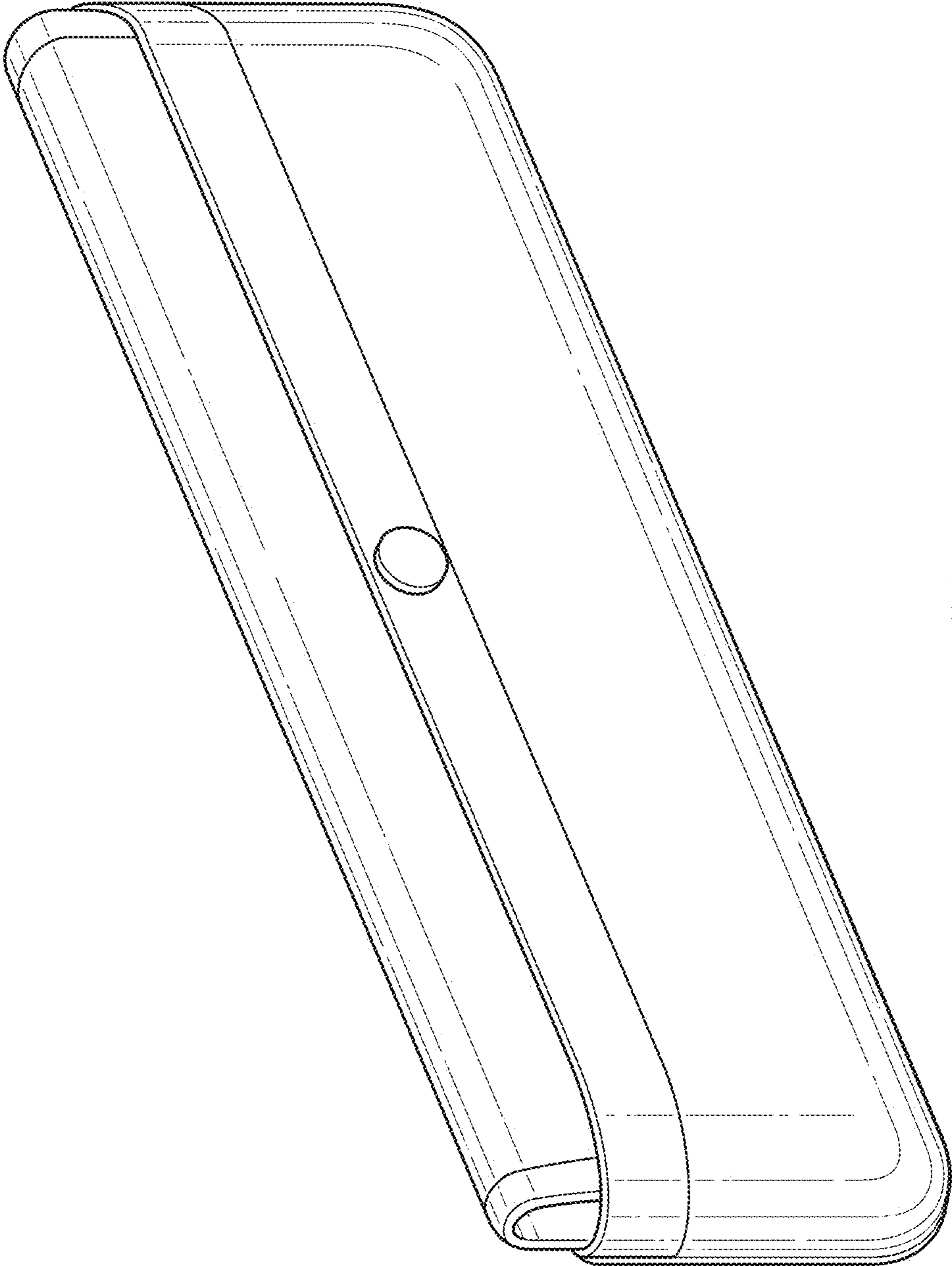


FIG. 8