



US00D903985S

(12) **United States Design Patent** (10) **Patent No.:** **US D903,985 S**
Cannon et al. (45) **Date of Patent:** **** Dec. 8, 2020**

(54) **INFANT BIB**

FOREIGN PATENT DOCUMENTS

(71) Applicant: **i play. inc.**, Asheville, NC (US)
(72) Inventors: **Becky B. Cannon**, Asheville, NC (US);
Emi Kubota, Asheville, NC (US)

EP 1090560 A2 4/2001
FR 2844679 A1 3/2004
(Continued)

(73) Assignee: **Green Sprouts, Inc.**

OTHER PUBLICATIONS

(**) Term: **15 Years**

Silicone Baby Feeding Bibs by Ashtonbee, posted to amazon.com. Available date: Mar. 28, 2017 [site visited Jul. 31, 2020] Available: <https://www.amazon.com/Pet-Hair-Remover-Laundry-Non-Toxic/dp/B0170CR64Y/ref=cm_cr_arp_d_product_top?ie=UTF8> (Year: 2017).*

(21) Appl. No.: **29/660,933**

(22) Filed: **Aug. 23, 2018**

(Continued)

(51) **LOC (12) Cl.** **02-02**

(52) **U.S. Cl.**
USPC **D2/864**

Primary Examiner — Kevin K Rudzinski
(74) *Attorney, Agent, or Firm* — Luedeka Neely Group, PC

(58) **Field of Classification Search**
USPC D2/864, 861, 863
CPC A41B 13/10; A41B 13/103; A41B 13/106
See application file for complete search history.

(57) **CLAIM**

The ornamental design for an infant bib, as shown and described.

(56) **References Cited**

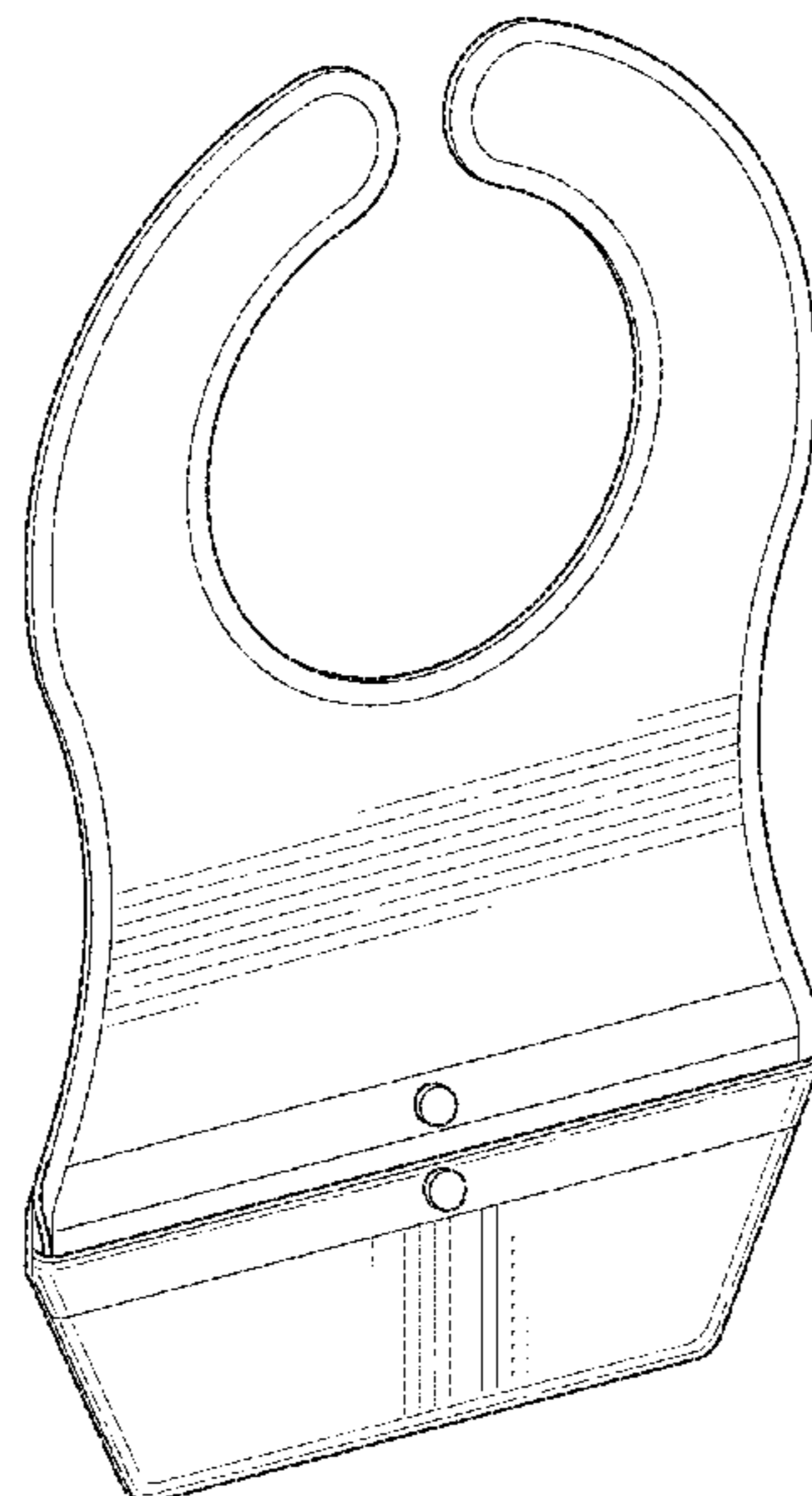
DESCRIPTION

U.S. PATENT DOCUMENTS

114,366 A 5/1871 Thomson
453,490 A 6/1891 Kropp
677,010 A 6/1901 Ziller
879,124 A 2/1908 Thompson
2,250,887 A * 7/1941 Brown A41B 13/10
2/49.2
2,446,689 A 8/1948 Brose et al.
D152,879 S 3/1949 Angeles
2,672,614 A 3/1954 Zimmerman et al.
2,884,638 A * 5/1959 Ream A41B 13/10
2/48
3,146,464 A 9/1964 Burnett
3,407,407 A 10/1968 Smith et al.
D216,291 S * 12/1969 Korshak D2/864
4,569,086 A * 2/1986 Takefman A41B 13/103
2/49.2
4,663,779 A 5/1987 Bible
(Continued)

FIG. 1 is a frontal perspective view of an infant bib of our new design.
FIG. 2 is a front elevation view of the infant bib of our new design.
FIG. 3 is a rear elevation view of the infant bib of our new design.
FIG. 4 is a right side view of the infant bib of our new design.
FIG. 5 is a left side view of the infant bib of our new design.
FIG. 6 is a top plan view of the infant bib of our new design.
FIG. 7 is a bottom plan view of the infant bib of our new design; and,
FIG. 8 is a frontal perspective view of the infant bib of new design folded for storage.

1 Claim, 6 Drawing Sheets



(56)

References Cited

U.S. PATENT DOCUMENTS

4,860,381 A 8/1989 Bartley
 D304,875 S * 12/1989 Benson D2/861
 4,924,527 A * 5/1990 Hintermeyer A41B 13/103
 2/46
 D350,220 S * 9/1994 Lindy D2/861
 D382,987 S 9/1997 Johnson, Jr.
 D383,891 S 9/1997 Hill
 5,671,479 A 9/1997 Dedrick
 D394,339 S 5/1998 Hill
 D416,663 S 11/1999 Thomas
 6,000,056 A 12/1999 Brady et al.
 6,021,521 A 2/2000 Baratta
 6,105,165 A 8/2000 Johnson et al.
 6,237,150 B1 * 5/2001 Lucas A41B 13/10
 2/49.1
 6,381,751 B1 5/2002 Benjamin et al.
 6,481,016 B1 11/2002 Rees
 6,499,140 B1 12/2002 Benjamin et al.
 D473,364 S 4/2003 Conte
 6,581,210 B2 6/2003 Kaloustian
 D491,342 S 6/2004 Jordan
 D493,024 S * 7/2004 Bergkvist D2/860
 D499,530 S 12/2004 Mintz et al.
 7,076,807 B2 7/2006 Bergkvist
 D526,765 S 8/2006 Lown et al.
 7,143,448 B1 12/2006 Gottehrer
 D541,012 S 4/2007 Gottehrer
 7,269,857 B2 9/2007 Cymbol
 7,278,171 B1 10/2007 Besch
 7,469,425 B2 12/2008 DeStefano
 7,496,970 B2 3/2009 Gors
 D591,484 S 5/2009 Lindh
 D625,903 S 10/2010 Conley
 D631,232 S * 1/2011 Lewis D2/864
 7,947,024 B2 5/2011 Ramage et al.
 D644,005 S * 8/2011 Davis D2/864
 D648,509 S 11/2011 Hansen et al.
 8,151,370 B2 4/2012 Perazzo
 8,166,571 B2 5/2012 Fletcher
 D661,468 S 6/2012 Michaels et al.
 D684,752 S 6/2013 Nguyen
 D690,909 S 10/2013 Albers
 D698,130 S 1/2014 Worden et al.
 D699,926 S 2/2014 Sakanishi
 9,125,438 B2 * 9/2015 Adler A41B 13/103
 9,226,529 B2 1/2016 Monahon
 D749,301 S 2/2016 Sample

9,289,015 B2 3/2016 Kassis
 D758,051 S 6/2016 Feeley et al.
 9,392,821 B1 * 7/2016 Baker A41B 13/10
 D781,531 S 3/2017 Butler et al.
 D793,673 S 8/2017 Vlad
 D811,700 S * 3/2018 D'Amato-Friedman D2/864
 D833,715 S * 11/2018 Apps D2/861
 D838,939 S * 1/2019 Acevedo-Morales
 A41B 13/10
 D2/861
 D845,590 S * 4/2019 Jones D2/861
 10,390,570 B2 * 8/2019 Petersen A47G 19/08
 D878,715 S * 3/2020 Zaman D2/861
 D879,413 S * 3/2020 Ejvinsson D2/864
 D882,213 S * 4/2020 King D2/864
 2002/0069446 A1 * 6/2002 Pinckney A41B 13/10
 2/49.1
 2004/0205876 A1 * 10/2004 Bruffett A41B 13/103
 2/49.2
 2007/0143904 A1 6/2007 Brown
 2007/0250979 A1 11/2007 Han
 2009/0019615 A1 1/2009 Young
 2012/0047617 A1 3/2012 Didiodato
 2012/0047618 A1 * 3/2012 Phillips A41B 13/106
 2/49.2
 2014/0096300 A1 * 4/2014 Ross A41B 13/103
 2/49.2
 2014/0173800 A1 6/2014 Wulf et al.
 2014/0250557 A1 9/2014 Amrikhas
 2015/0135391 A1 * 5/2015 Chandler A41B 13/106
 2/49.2
 2015/0272229 A1 10/2015 Lu

FOREIGN PATENT DOCUMENTS

GB 2450106 A 12/2008
 GB 2440900 B 8/2010
 JP 2005089903 A 4/2005
 WO 2008020197 A1 2/2008
 WO 2017196893 A1 11/2017

OTHER PUBLICATIONS

Brother Max Intellectual Property; www.brothermax.com; 1 page; Mar. 22, 2018.
 Apron; JP 2009-074223 A; date of publication Apr. 9, 2009; Applicant Sekisui Seikei LTD.
 HJ2705499800; date of publication Sep. 30, 2015; Heisei.

* cited by examiner

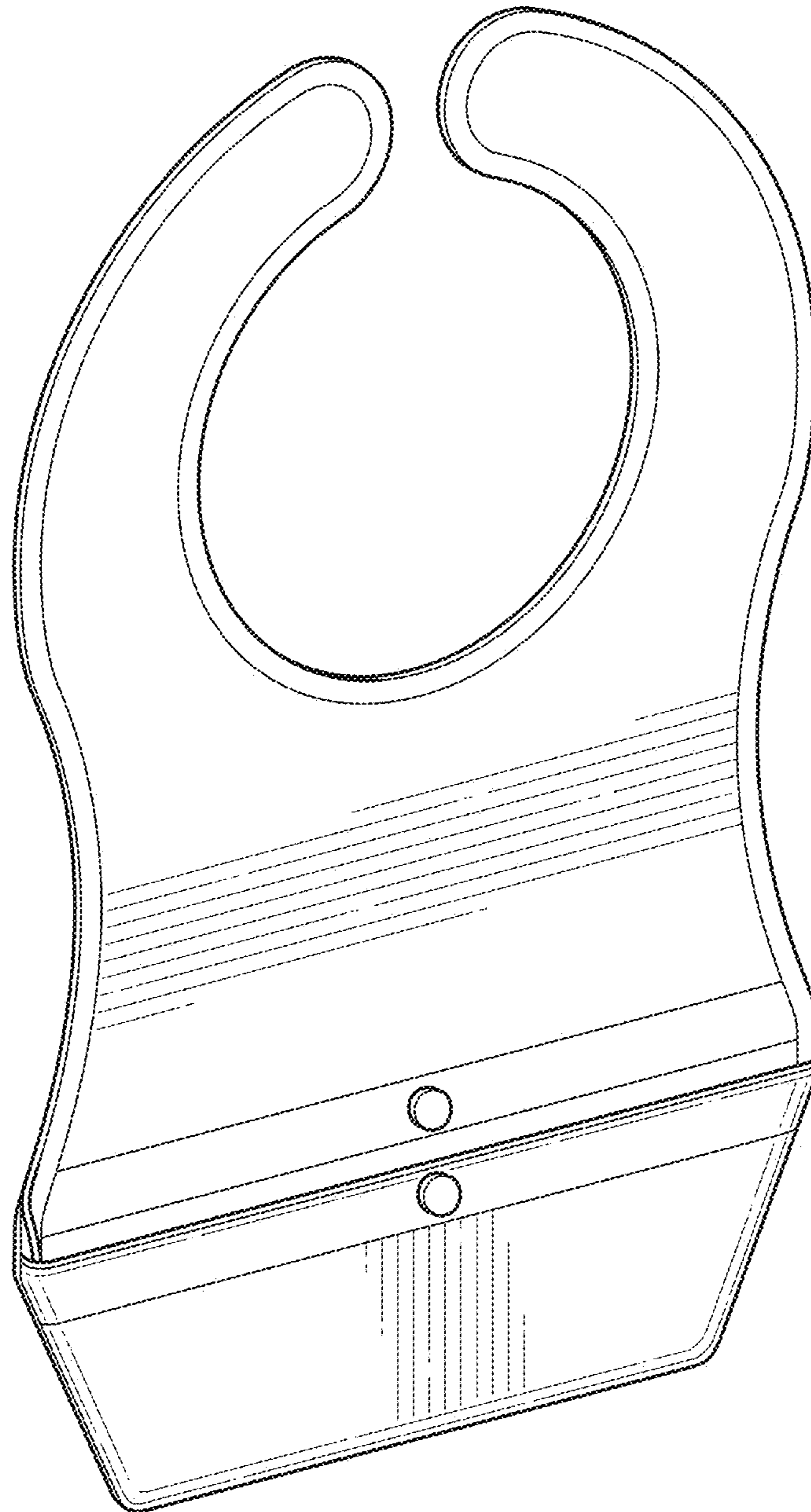


FIG. 1

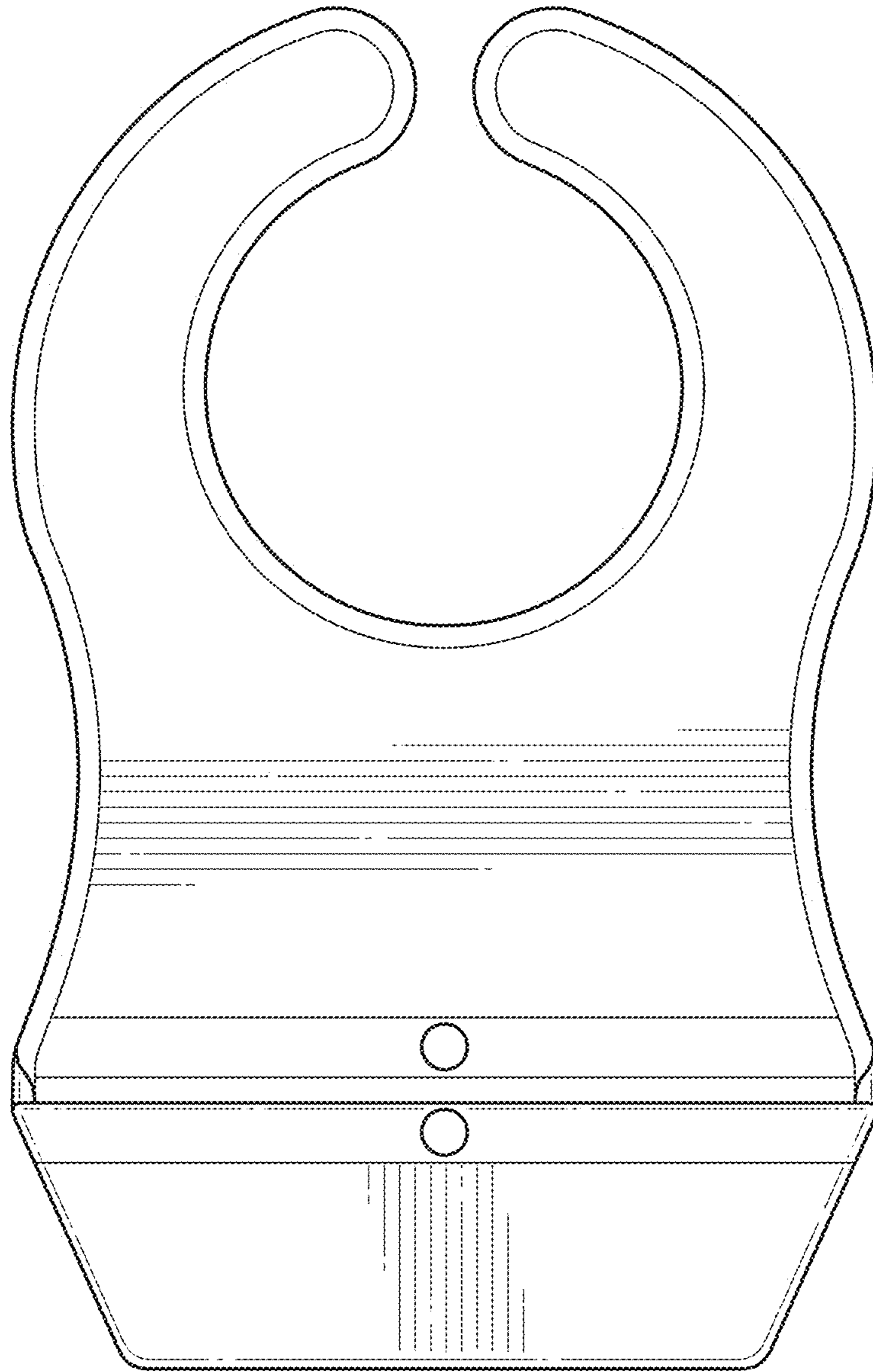


FIG. 2

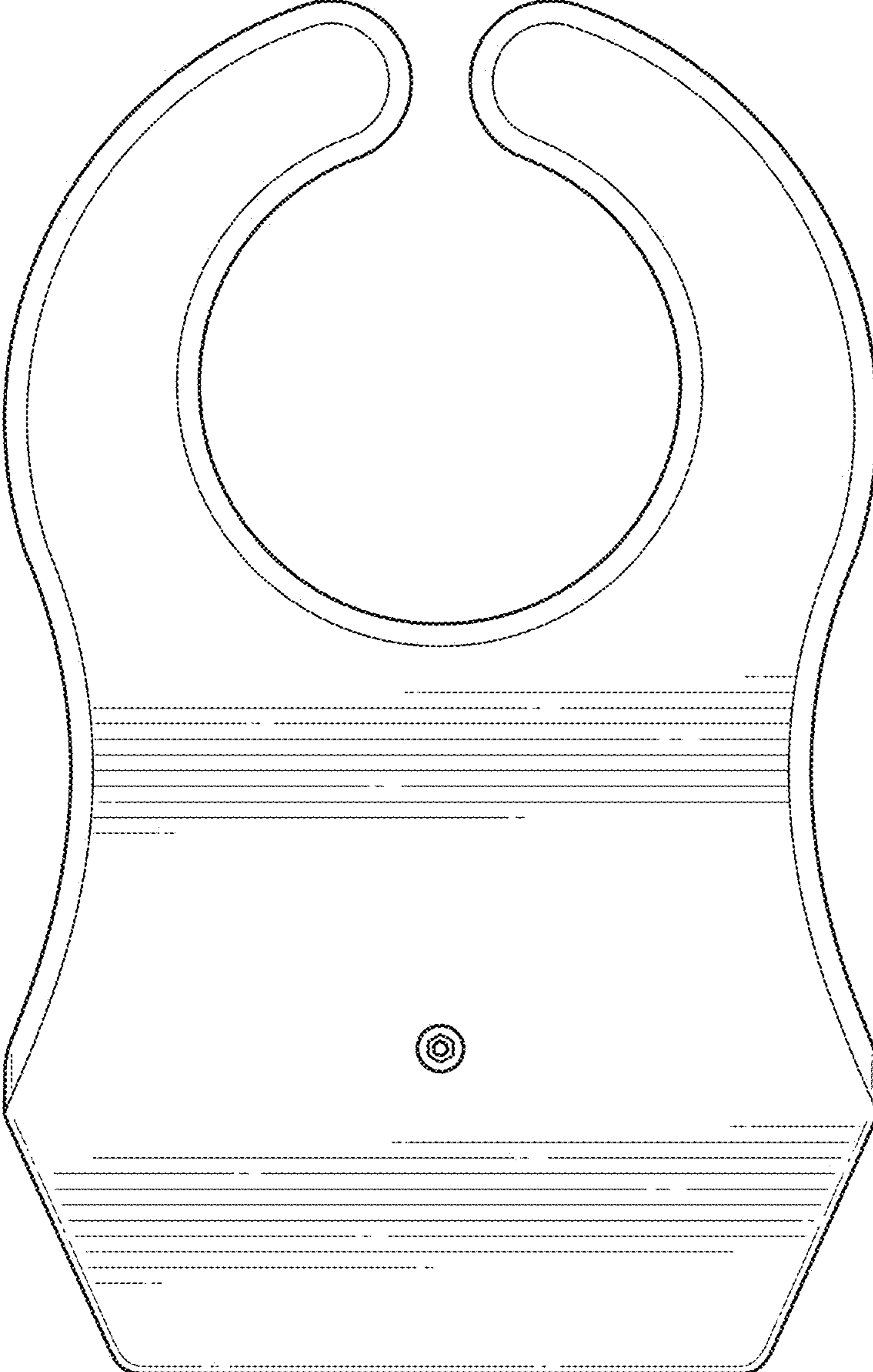


FIG. 3

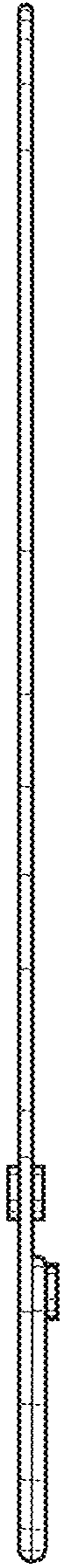


FIG. 4

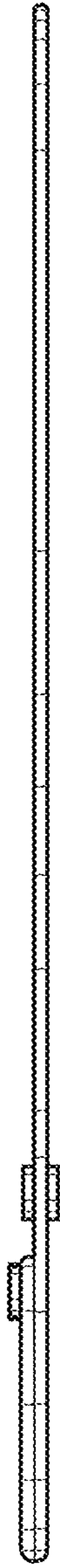


FIG. 5

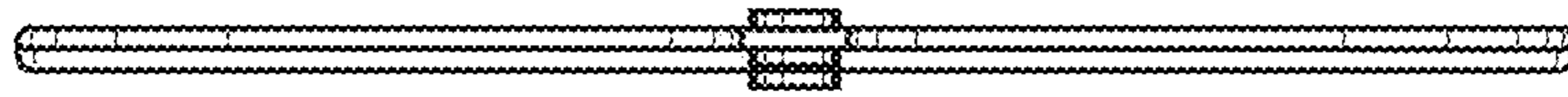


FIG. 6

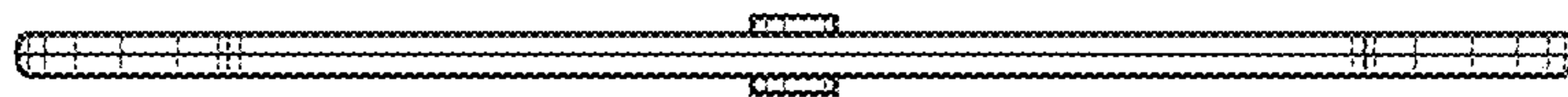


FIG. 7

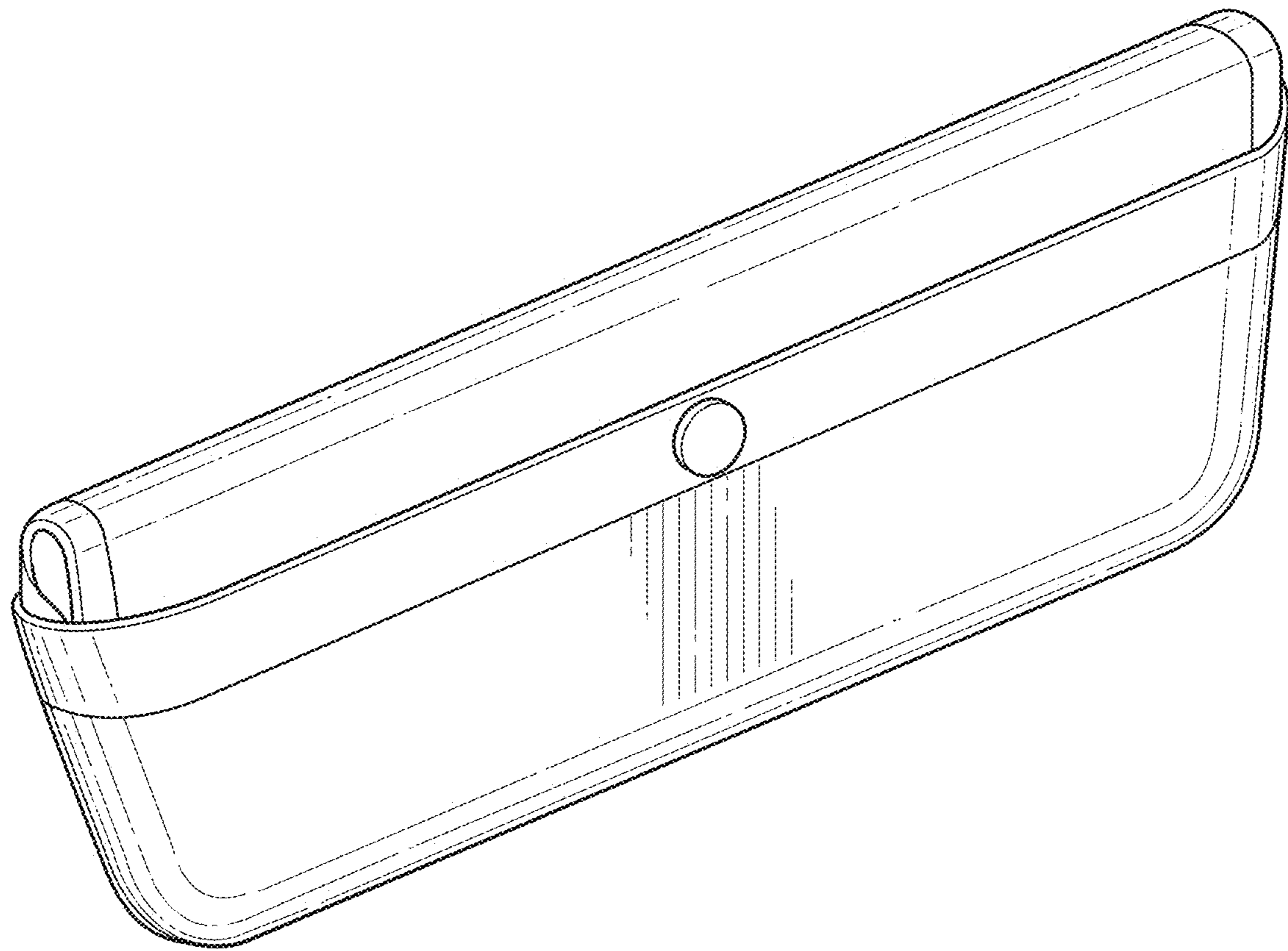


FIG. 8