



US00D903984S

(12) **United States Design Patent**
Gracie

(10) **Patent No.:** **US D903,984 S**

(45) **Date of Patent:** **** Dec. 8, 2020**

(54) **GARMENT FOR CONVERTING INTO A BACKPACK**

(71) Applicant: **Rener Gracie**, Torrance, CA (US)

(72) Inventor: **Rener Gracie**, Torrance, CA (US)

(**) Term: **15 Years**

(21) Appl. No.: **29/666,366**

(22) Filed: **Oct. 12, 2018**

(51) **LOC (12) Cl.** **02-02**

(52) **U.S. Cl.**
USPC **D2/853**

(58) **Field of Classification Search**
USPC D2/728, 750–751, 755, 828, 829, 779,
D2/784, 830–831, 853; D3/216, 238
CPC A41D 3/02; A45F 4/02
See application file for complete search history.

(56) **References Cited**

U.S. PATENT DOCUMENTS

2,165,348	A *	7/1939	Daiber	A41D 15/04 2/94
D251,936	S *	5/1979	Shaw	D2/830
4,347,629	A *	9/1982	Itoi	A41D 3/00 2/108
D269,561	S *	7/1983	Scott	D2/829
4,502,155	A *	3/1985	Itoi	A41D 3/00 2/115
5,123,117	A *	6/1992	Prendergast	A45F 4/12 2/108
5,699,560	A *	12/1997	Greenberg	A41D 3/00 2/94
5,787,504	A *	8/1998	Wu	A41D 15/04 2/93
D403,836	S *	1/1999	Len	D2/828
D404,539	S *	1/1999	Glasser	D2/830
D414,013	S *	9/1999	Group	D2/828

D420,793	S *	2/2000	Vreeland	D3/216
D426,051	S *	6/2000	Bugel	D2/829
D439,029	S *	3/2001	Goldman	D2/828
D684,750	S *	6/2013	Kayat	D2/829
D757,397	S *	5/2016	Huang	D2/828
D769,580	S *	10/2016	Conway	D2/830
D855,942	S *	8/2019	Gracie	D2/853
2016/0157535	A1 *	6/2016	Tirro	A41D 1/02 2/93
2016/0270460	A1 *	9/2016	Rabinowitz	A41D 15/04
2019/0365086	A1 *	12/2019	James	A45F 4/12

* cited by examiner

Primary Examiner — Amy C Wierenga

(74) *Attorney, Agent, or Firm* — Edwin Tarver

(57) **CLAIM**

The ornamental design for a garment for converting into a backpack, as shown and described.

DESCRIPTION

FIG. 1 illustrates a perspective view of a design for a garment for converting into a backpack, in its garment configuration;

FIG. 2 illustrates a rear view thereof;

FIG. 3 illustrates a front view thereof;

FIG. 4 illustrates a left side elevation view thereof;

FIG. 5 illustrates a cut-away section view taken along line 5-5 of FIG. 2;

FIG. 6 illustrates a right side elevation view thereof;

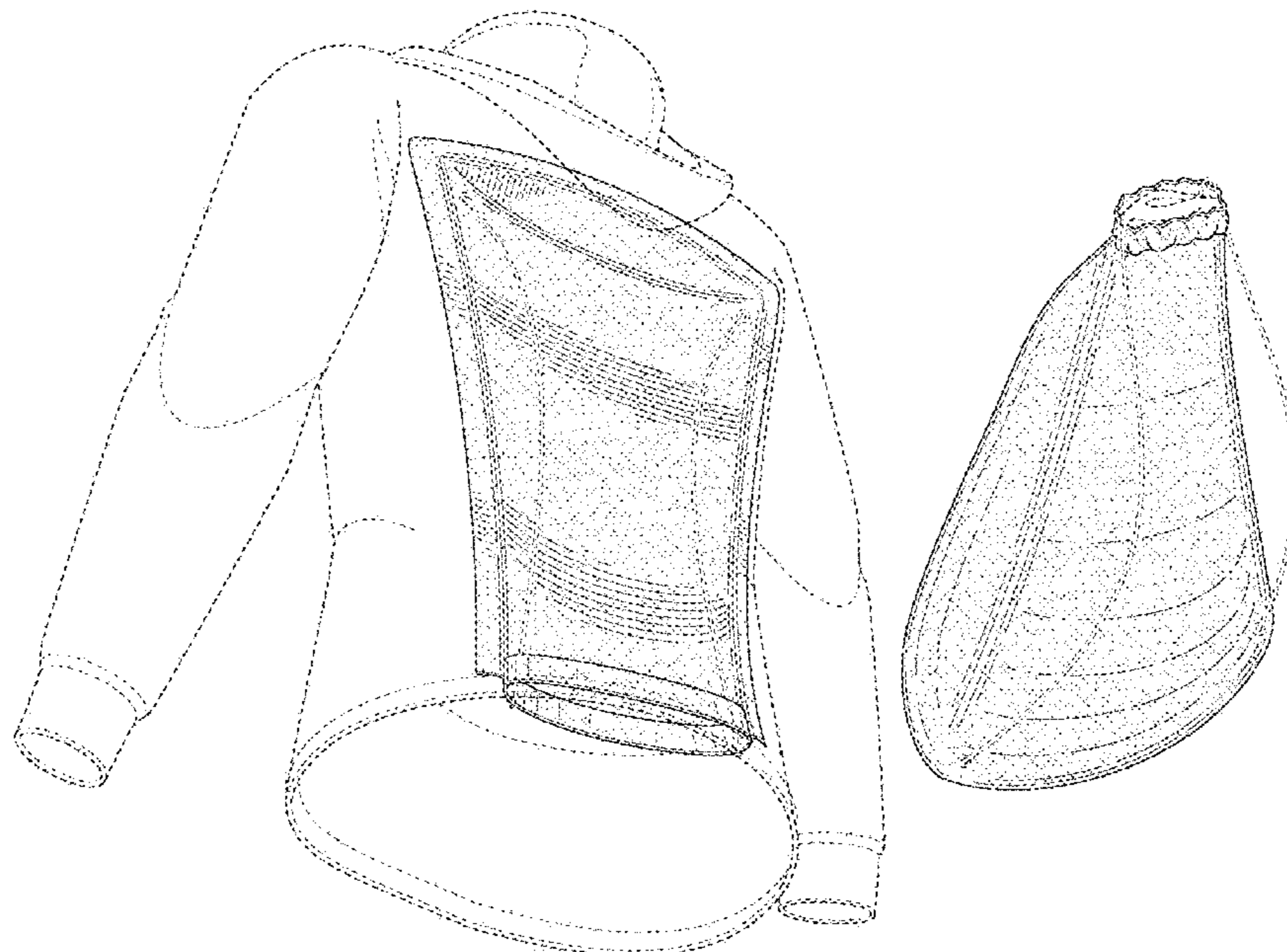
FIG. 7 illustrates a top plan view thereof;

FIG. 8 illustrates a bottom plan view thereof; and,

FIG. 9 illustrates a perspective view of the design for the garment for converting into a backpack, in its backpack configuration.

The dashed broken lines shown in the drawings illustrate environment only that forms no part of the claim.

1 Claim, 8 Drawing Sheets



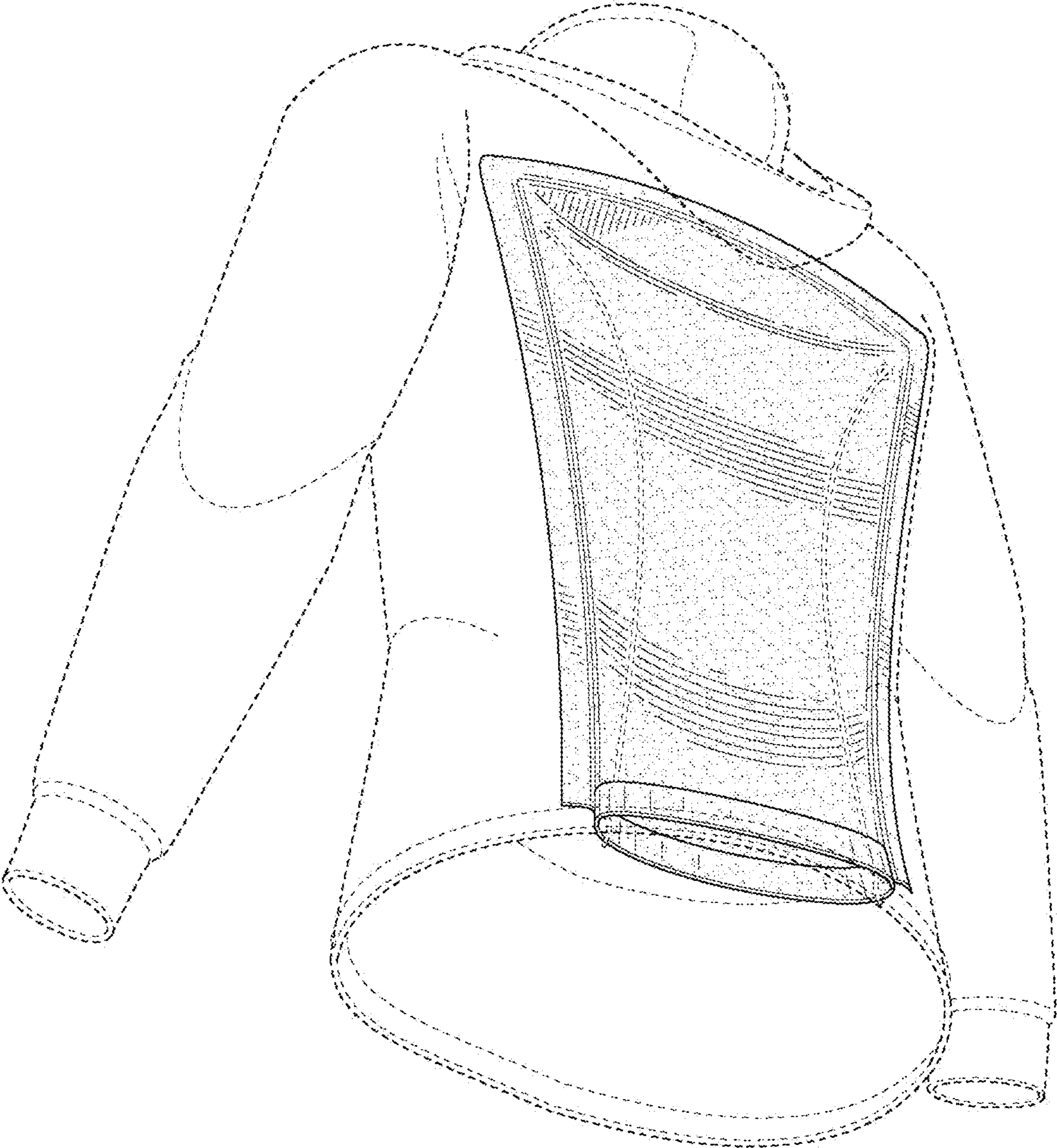


FIG. 1

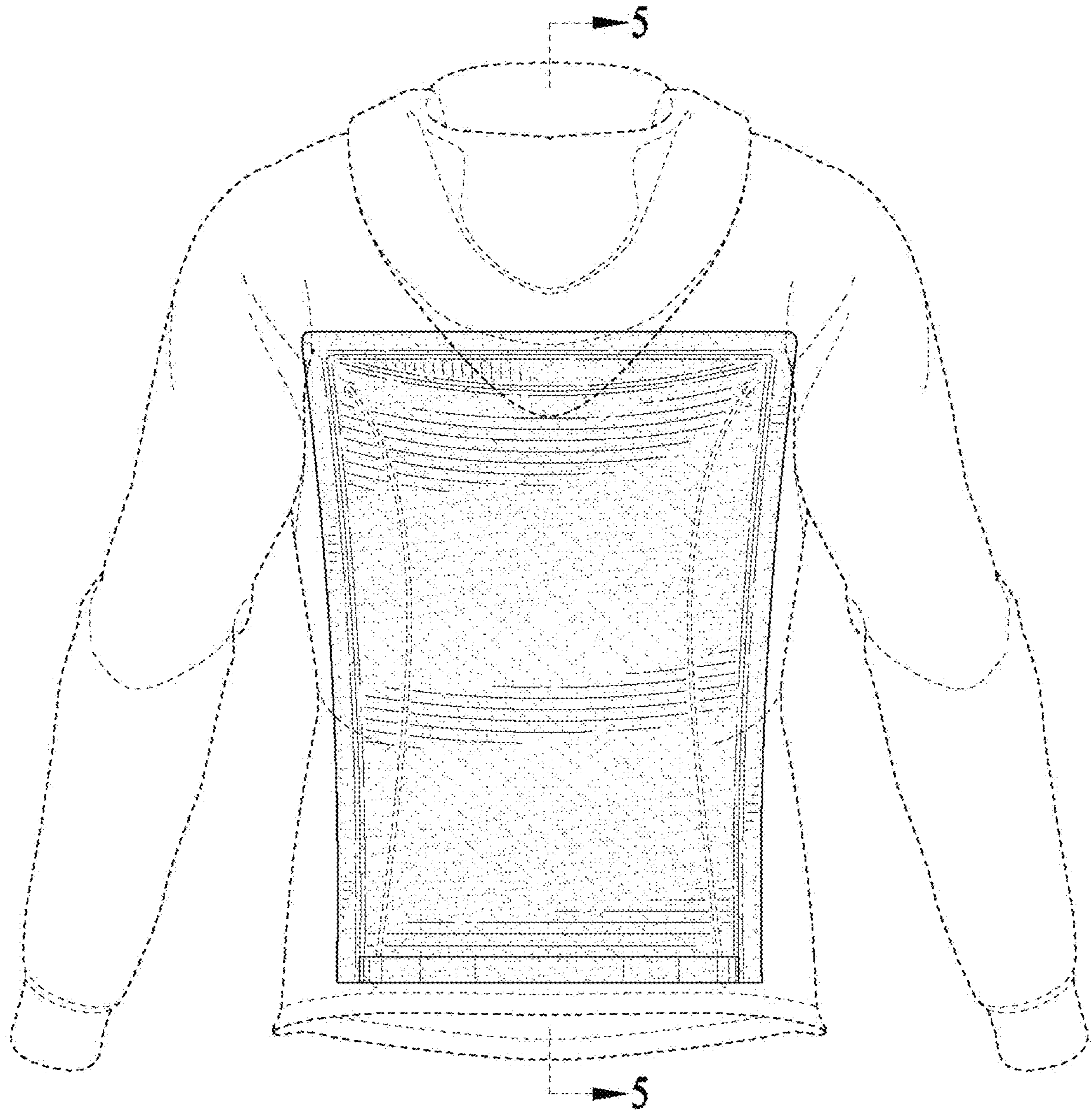


FIG. 2

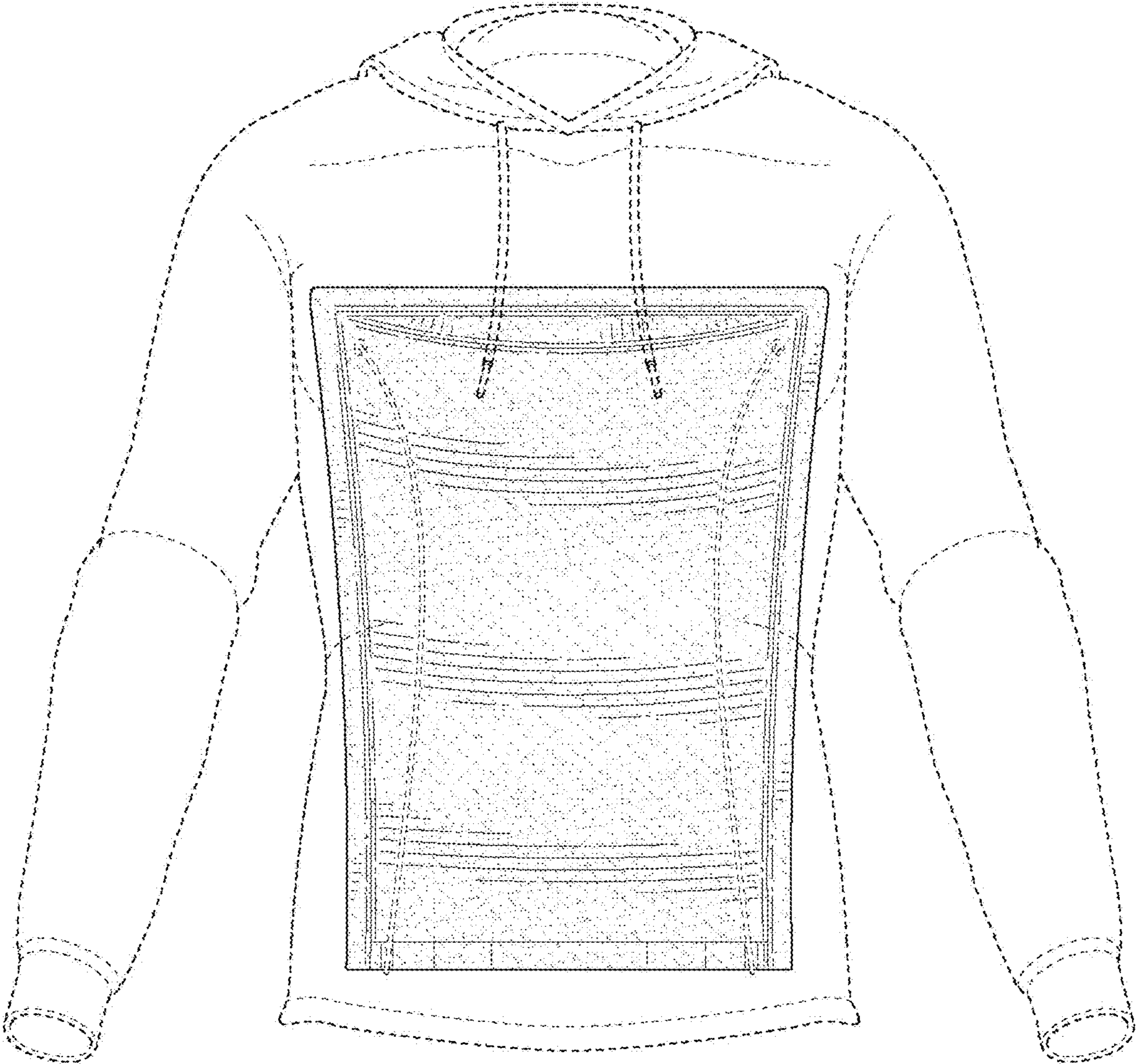


FIG. 3

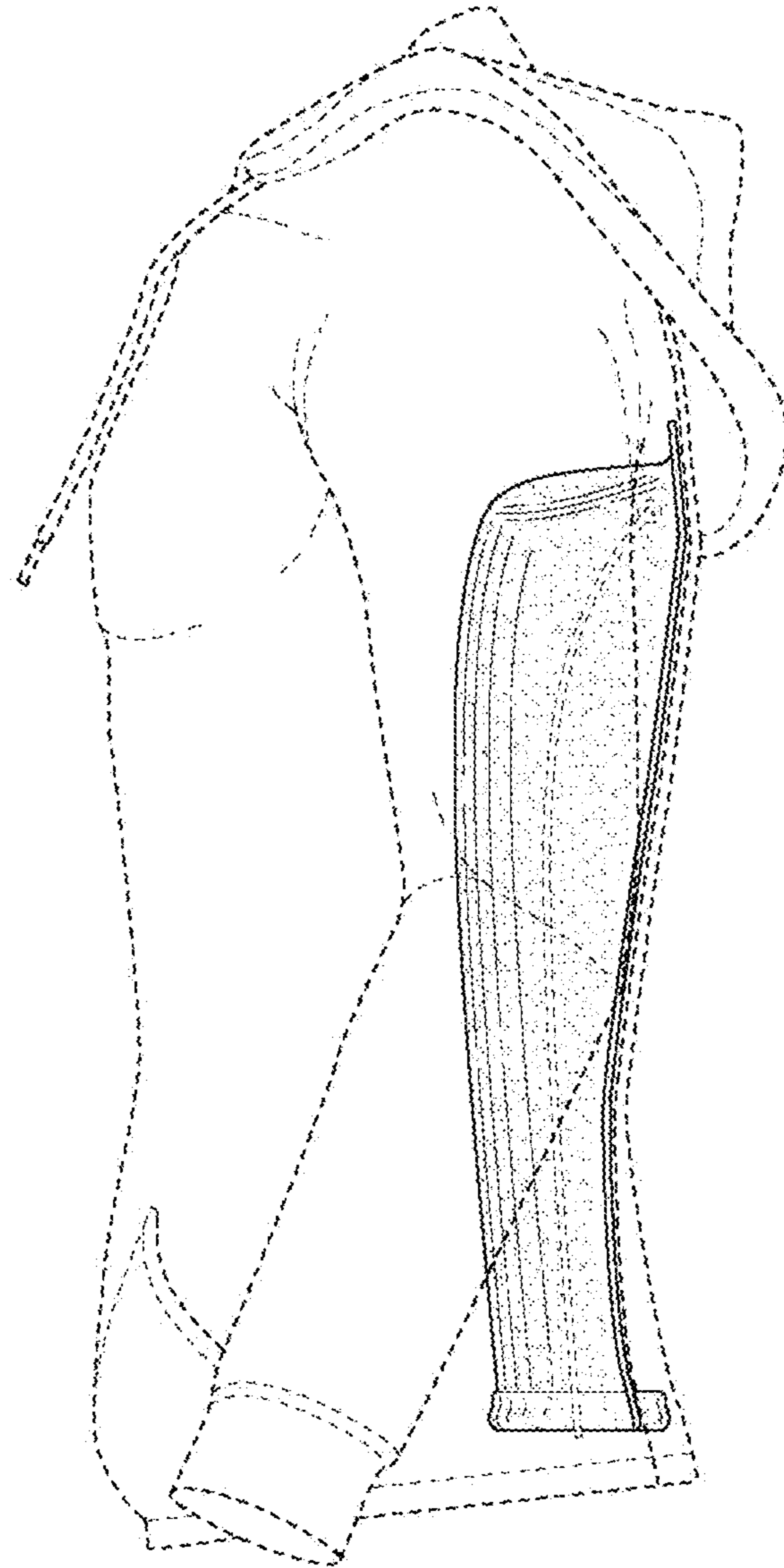


FIG. 4

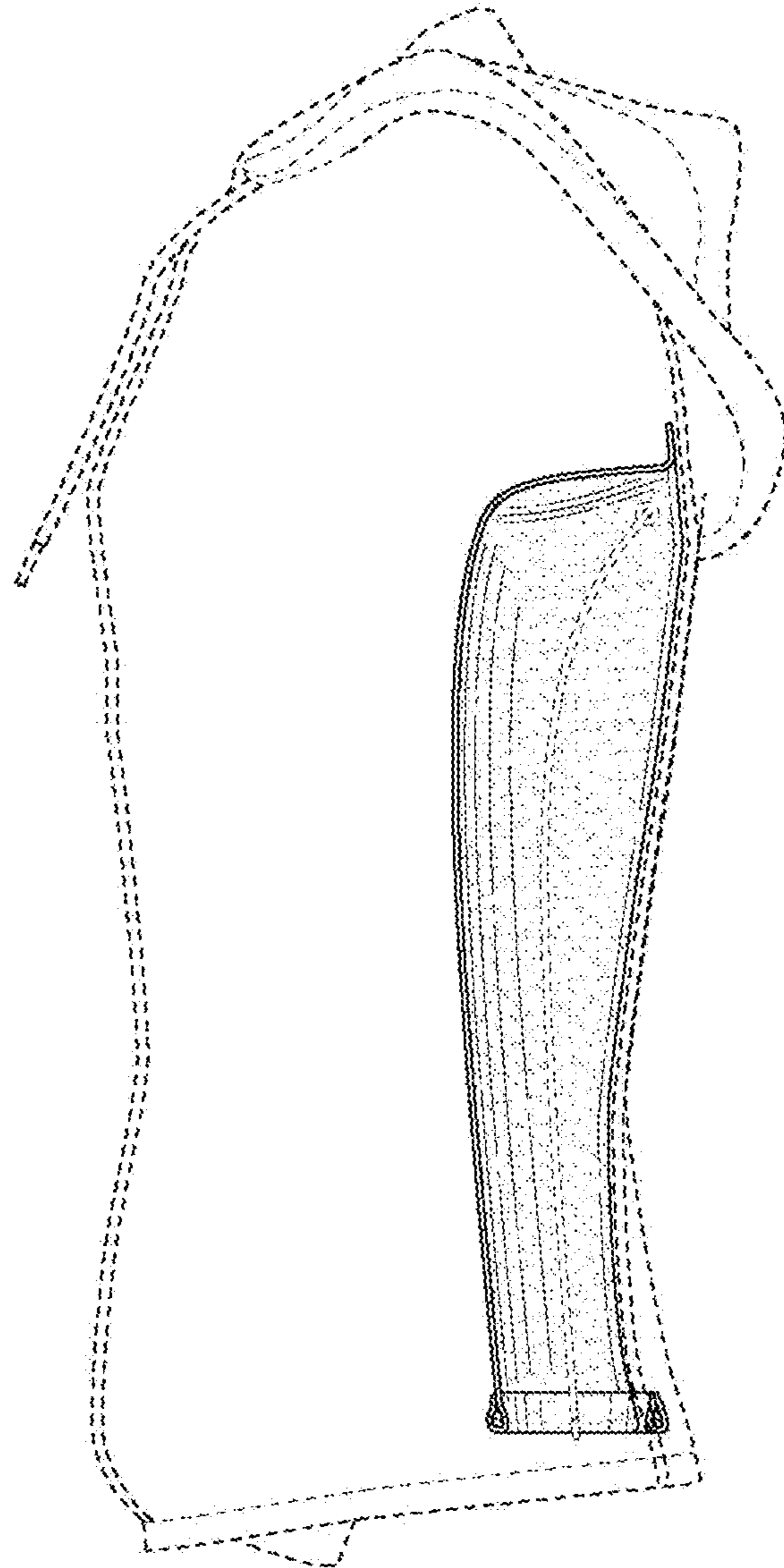


FIG. 5

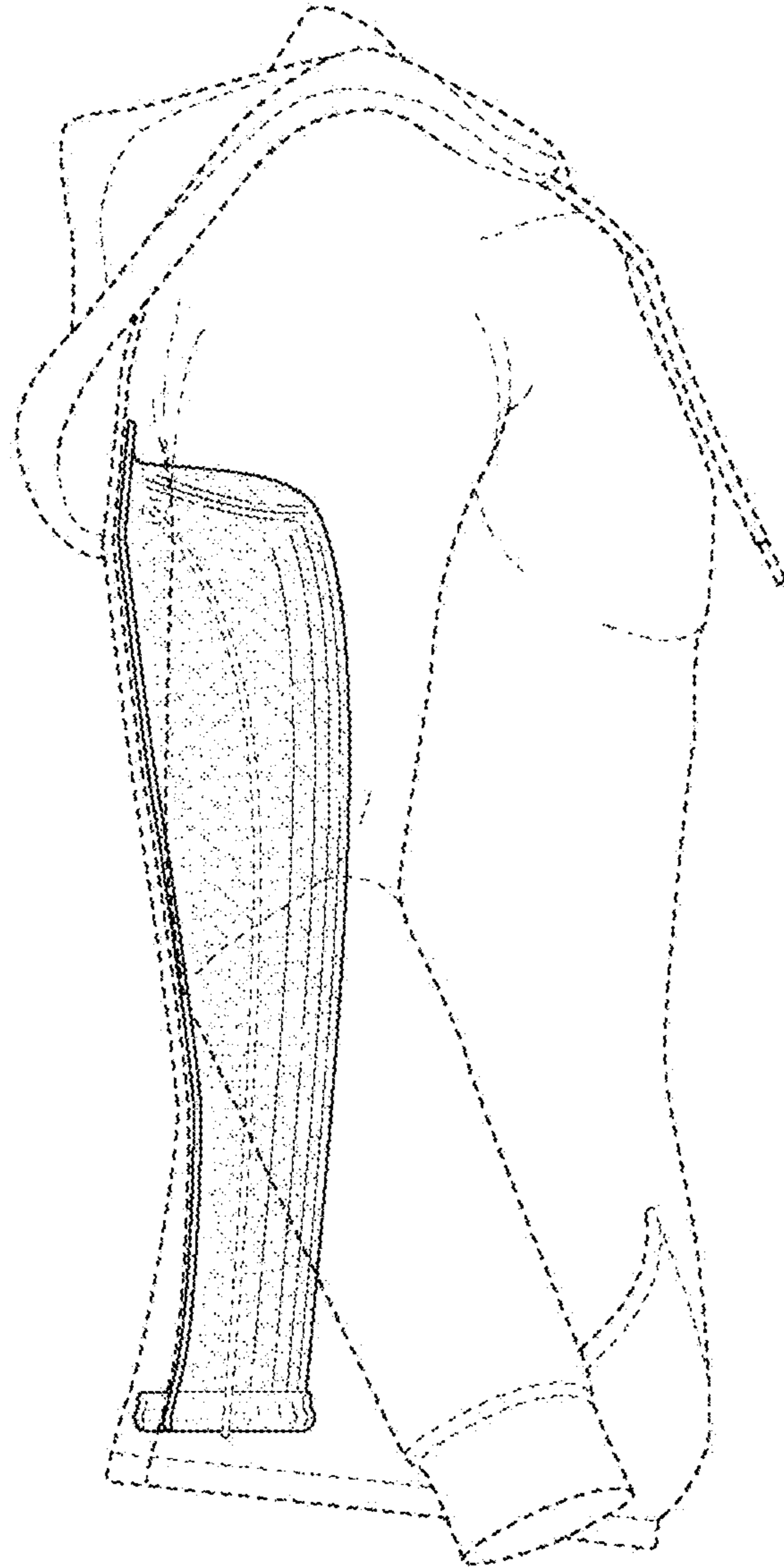


FIG. 6

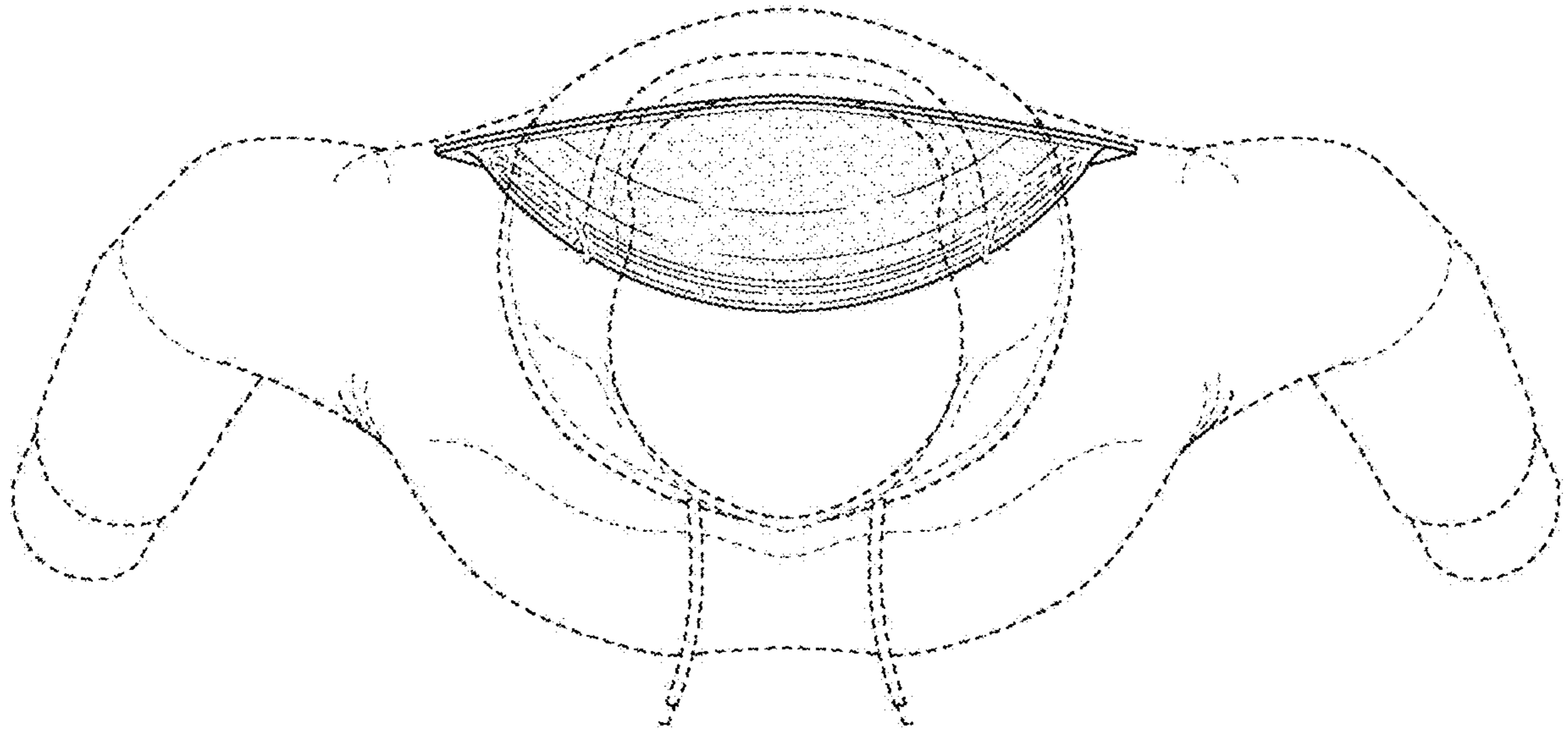


FIG. 7

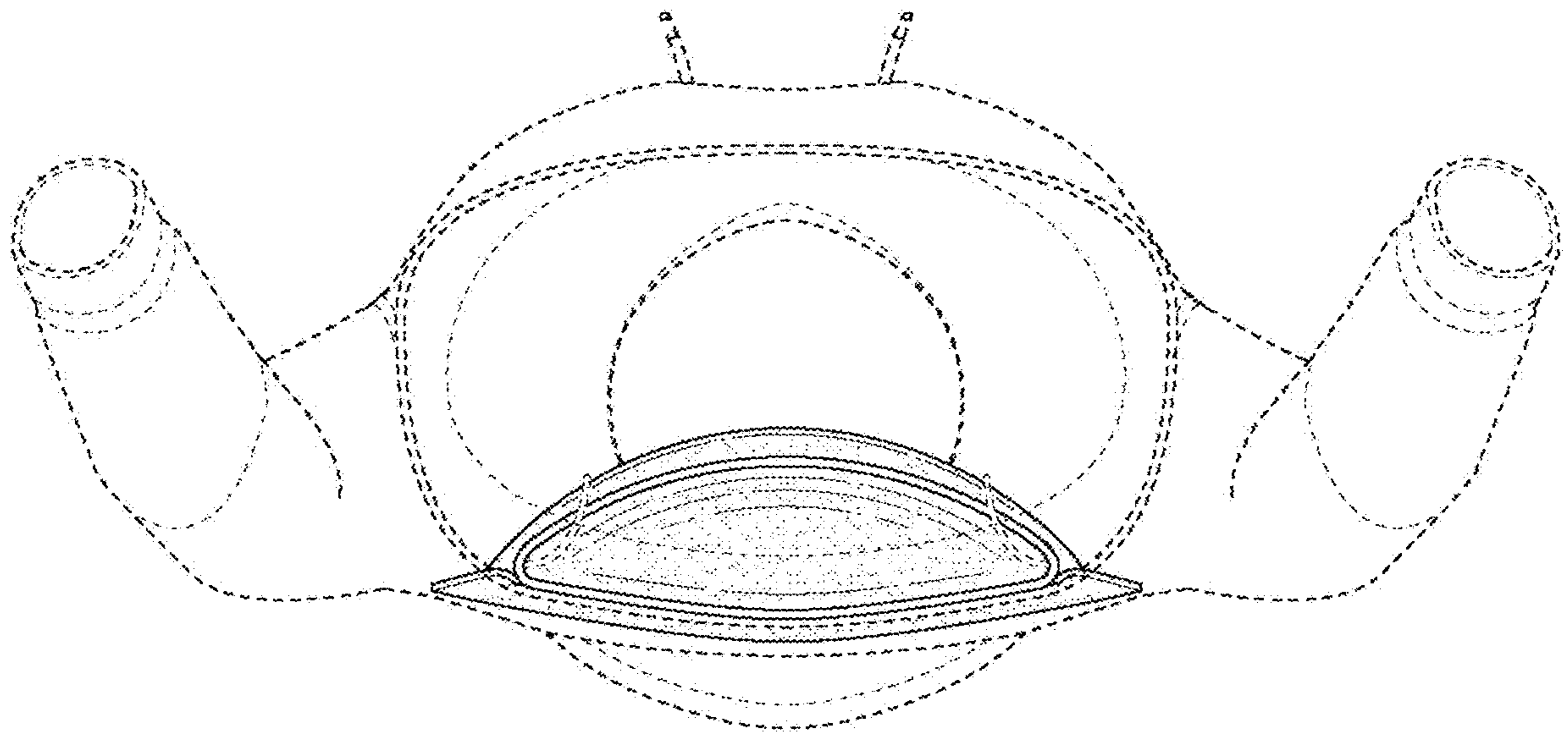


FIG. 8

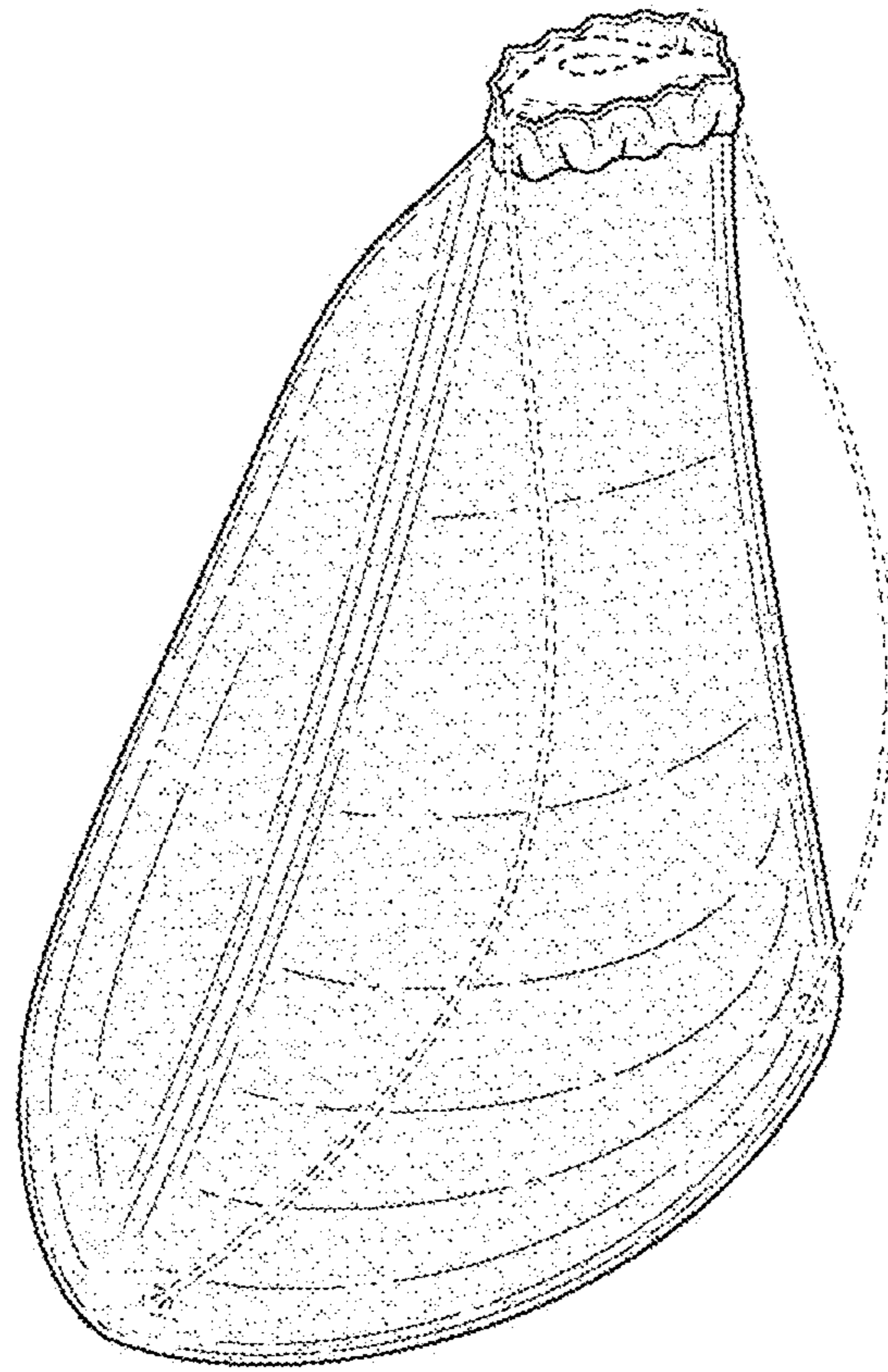


FIG. 9