



US00D903982S

(12) **United States Design Patent**
Byrne

(10) **Patent No.:** **US D903,982 S**

(45) **Date of Patent:** **** Dec. 8, 2020**

(54) **TEMPERATURE REGULATION GARMENT**

(71) Applicant: **THE CLEVELAND CLINIC FOUNDATION**, Cleveland, OH (US)

(72) Inventor: **Jill Elizabeth Byrne**, Wickliffe, OH (US)

(73) Assignee: **THE CLEVELAND CLINIC FOUNDATION**, Cleveland, OH (US)

(**) Term: **15 Years**

(21) Appl. No.: **29/627,881**

(22) Filed: **Nov. 30, 2017**

Related U.S. Application Data

(63) Continuation of application No. 15/201,846, filed on Jul. 5, 2016, now Pat. No. 10,357,068.

(51) **LOC (12) Cl.** **02-02**

(52) **U.S. Cl.**
USPC **D2/829**

(58) **Field of Classification Search**
USPC D2/829, 828, 830, 841, 824
CPC H05B 3/34; A41D 13/005
See application file for complete search history.

(56) **References Cited**

U.S. PATENT DOCUMENTS

- 2,403,676 A 7/1946 Modlinski
- 2,579,383 A * 12/1951 Goudsmit H05B 3/342
219/211
- 3,084,241 A * 4/1963 Carrona H05B 3/342
219/211
- 3,501,616 A * 3/1970 Arron H05B 3/342
219/211
- 4,033,354 A 7/1977 De Rosa
- 4,061,897 A * 12/1977 Thykeson A61F 7/007
219/211

4,601,067 A * 7/1986 Buonassissi A41D 13/0055
2/102

D292,140 S * 10/1987 Cahill D2/829

4,832,030 A 5/1989 De Canto

5,031,244 A * 7/1991 Inagaki A41D 13/0012
2/102

5,038,779 A * 8/1991 Barry A41D 13/0058
2/102

(Continued)

OTHER PUBLICATIONS

Langø, Thomas, et al. "Cooling vest for improving surgeons' thermal comfort: A multidisciplinary design project." *Minimally Invasive Therapy & Allied Technologies* 18.1 (2009): 20-29.

(Continued)

Primary Examiner — Kevin K Rudzinski

(74) *Attorney, Agent, or Firm* — Tarolli, Sundheim, Covell & Tummino LLP

(57) **CLAIM**

I claim the ornamental design for a temperature regulation garment, as shown and described.

DESCRIPTION

FIG. 1 is a front view of a first embodiment of a temperature regulation garment comprising a new, original and ornamental design;

FIG. 2 is a rear view of the temperature regulation garment shown in FIG. 1;

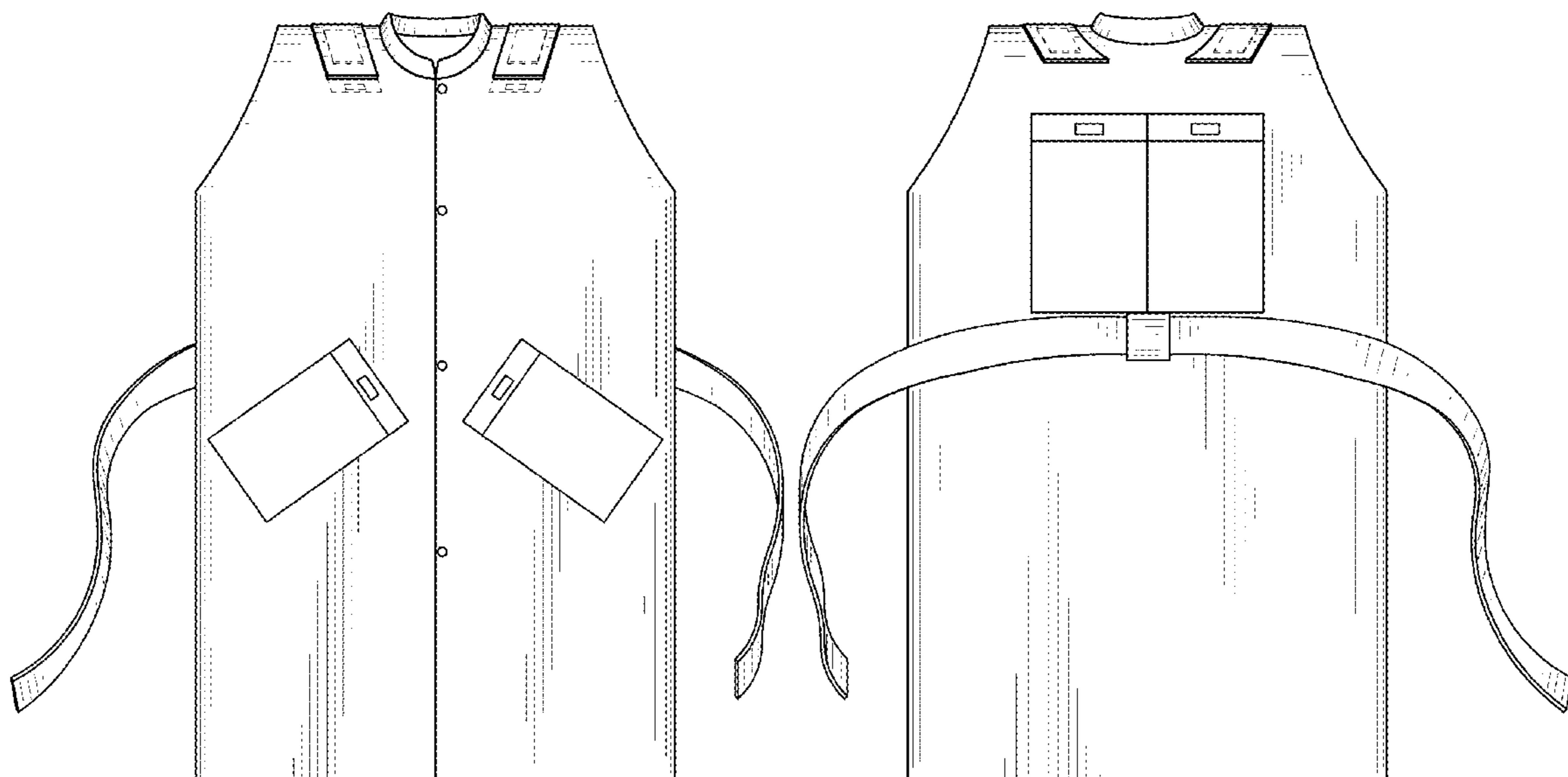
FIG. 3 is a front view of a second embodiment of a temperature regulation garment; and,

FIG. 4 is a rear view of the temperature regulation garment shown in FIG. 3.

The broken lines in the drawings depict unclaimed environmental subject matter.

The pockets shown in the Figures are of a patch type with no significant thickness into and out of the plane of the page.

1 Claim, 2 Drawing Sheets



(56)

References Cited

U.S. PATENT DOCUMENTS

5,072,455 A * 12/1991 St. Ours A41D 13/0055
2/81
5,146,625 A * 9/1992 Steele A41D 13/0055
2/102
D332,514 S * 1/1993 Brandoff D2/829
5,302,806 A 4/1994 Simmons et al.
5,305,471 A * 4/1994 Steele A41D 13/0058
2/102
5,484,448 A * 1/1996 Steele A41D 13/0053
607/108
D384,788 S * 10/1997 Curry D2/828
5,704,064 A * 1/1998 van der Sleesen A41D 27/28
2/69
5,755,110 A * 5/1998 Silvas A41D 13/0053
165/46
5,893,991 A * 4/1999 Newell A41D 13/0051
219/211
5,970,519 A * 10/1999 Weber A41D 13/0025
2/102
5,977,517 A * 11/1999 Grosjean A41D 13/0051
219/211
D421,329 S * 3/2000 Adams D2/828
6,185,742 B1 * 2/2001 Doherty A41D 13/0053
165/136
6,185,744 B1 * 2/2001 Poholski A41D 13/0058
2/102
6,189,149 B1 * 2/2001 Allen A41D 13/0055
2/102
6,329,638 B1 * 12/2001 Bloodworth A61H 23/02
219/211
D453,055 S * 1/2002 Ode D2/829
6,349,412 B1 * 2/2002 Dean A41D 13/0053
2/102
D456,115 S * 4/2002 Johnston D2/828
6,649,873 B1 * 11/2003 Cintron, Jr. A41D 13/0051
219/211
6,931,875 B1 * 8/2005 Allen A41D 13/0055
62/237
7,043,765 B1 5/2006 Otsubo
7,509,692 B2 3/2009 Elkins et al.
D599,529 S * 9/2009 Simpson D2/829
7,762,096 B2 * 7/2010 Fuchs A41D 13/0055
62/259.3
D623,382 S * 9/2010 Hodgson D2/829
8,105,371 B1 * 1/2012 Giocondo, Jr. A41D 1/04
2/102
8,220,074 B2 * 7/2012 Sutker A41D 13/0058
2/247
8,359,665 B2 * 1/2013 Bruce A41D 13/002
2/102
8,434,163 B1 * 5/2013 Nudo A61F 7/02
2/102
8,499,367 B2 8/2013 Almqvist
8,876,875 B1 * 11/2014 Nilforushan A61F 7/02
607/108
9,635,889 B1 * 5/2017 Copeland A41D 13/0056
D794,281 S * 8/2017 Crowe D2/829
9,717,287 B2 * 8/2017 DiBernardo A41D 1/04
9,772,166 B2 * 9/2017 Shelton A41D 27/28

9,874,423 B1 * 1/2018 Hughes A41D 13/0012
9,894,944 B2 * 2/2018 Brooks A41D 13/0053
9,955,740 B2 * 5/2018 Bruce A41D 1/04
9,980,526 B2 * 5/2018 Silverberg A41D 13/1209
9,993,039 B2 * 6/2018 Nykoluk A41D 13/0562
10,357,068 B2 * 7/2019 Byrne A41D 27/201
10,426,206 B2 * 10/2019 Davis A41D 1/04
2003/0061650 A1 * 4/2003 Emanuel A41B 9/06
2/115
2005/0172378 A1 * 8/2005 Messiou A43B 3/00
2/115
2006/0036304 A1 * 2/2006 Cordani A61F 7/03
607/108
2006/0090240 A1 * 5/2006 McKenzie A41D 13/1236
2/102
2006/0253954 A1 * 11/2006 Music A41D 13/0051
2/115
2006/0276089 A1 * 12/2006 Amarasinghe A41D 13/0053
442/121
2008/0040839 A1 * 2/2008 Gordon A41D 13/0053
2/455
2009/0217440 A1 * 9/2009 Sutker A41D 13/0058
2/114
2010/0011491 A1 * 1/2010 Goldmann A41D 13/002
2/458
2010/0125928 A1 * 5/2010 Smith A41D 13/0025
2/69
2010/0223943 A1 * 9/2010 Loukaides A41D 13/0053
62/259.3
2010/0286755 A1 * 11/2010 Gallaher A41D 13/0053
607/108
2012/0167288 A1 * 7/2012 Chen A41D 13/0058
2/458
2013/0126511 A1 * 5/2013 Yulee A41D 1/04
219/211
2014/0069617 A1 * 3/2014 Shelton F41H 1/02
165/120
2014/0143928 A1 5/2014 Silverberg
2014/0194961 A1 * 7/2014 Evans, Jr. A61F 7/02
607/112
2016/0249691 A1 * 9/2016 Gordon A41D 13/0053
2/102
2017/0172227 A1 * 6/2017 Fan A41D 13/0025
2019/0000157 A1 * 1/2019 Bhaskaran A41D 27/20
2019/0008676 A1 * 1/2019 Kilbey A61F 7/02

OTHER PUBLICATIONS

House, James R., et al. "The impact of a phase-change cooling vest on heat strain and the effect of different cooling pack melting temperatures." *European journal of applied physiology* 113.5 (2013): 1223-1231.
Gao, Chuansi, Kaiev Kuklane, and Ingvar Holmér. "Cooling vests with phase change materials: the effects of melting temperature on heat strain alleviation in an extremely hot environment." *European journal of applied physiology* 111.6 (2011): 1207-1216.
Pluyter, Jon R., Anne-F. Rutkowski, and Jack J. Jakimowicz. "Immersive training: breaking the bubble and measuring the heat." *Surgical endoscopy* 28.5 (2014): 1545-1554.

* cited by examiner

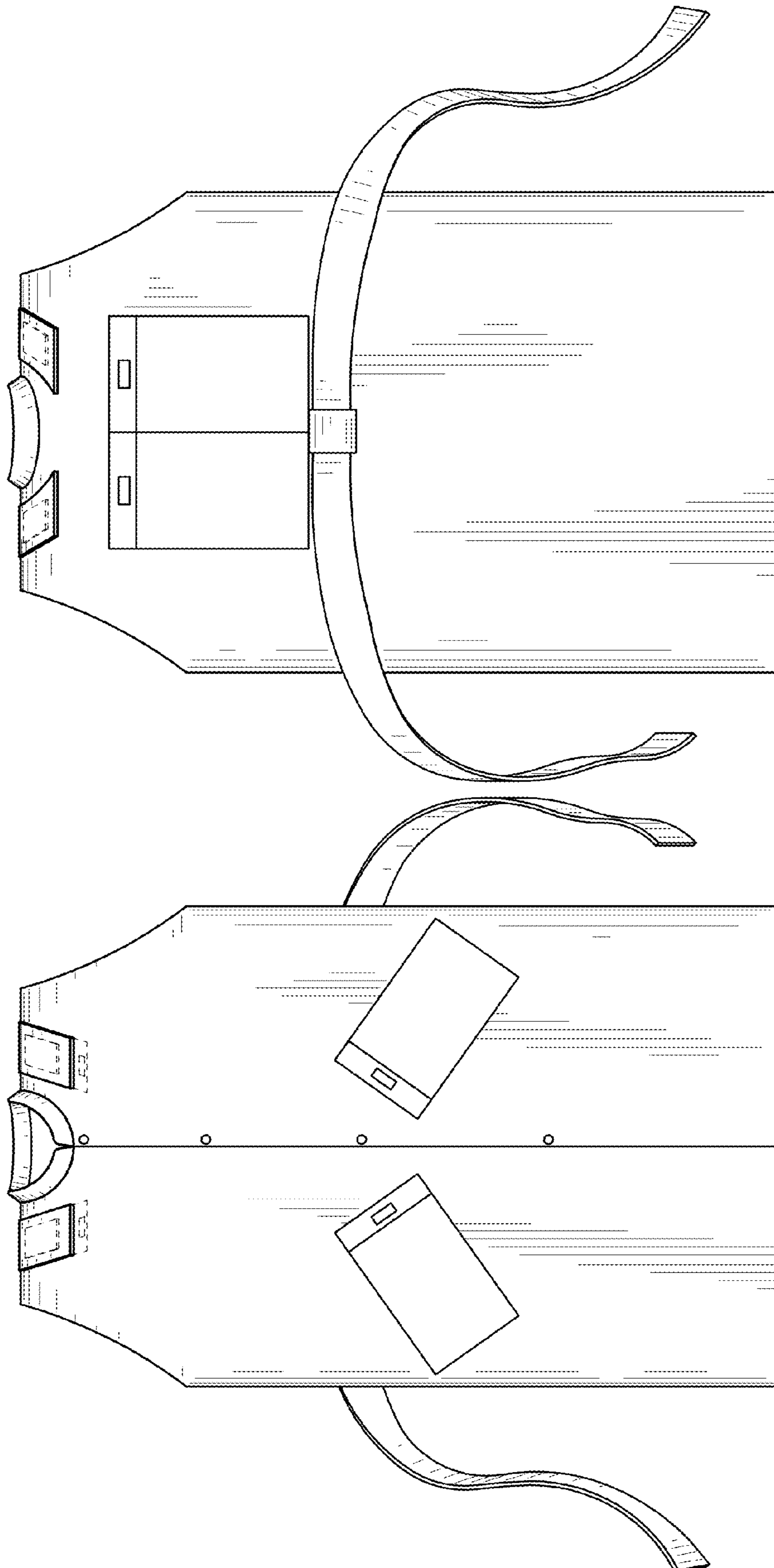


Fig. 2

Fig. 1

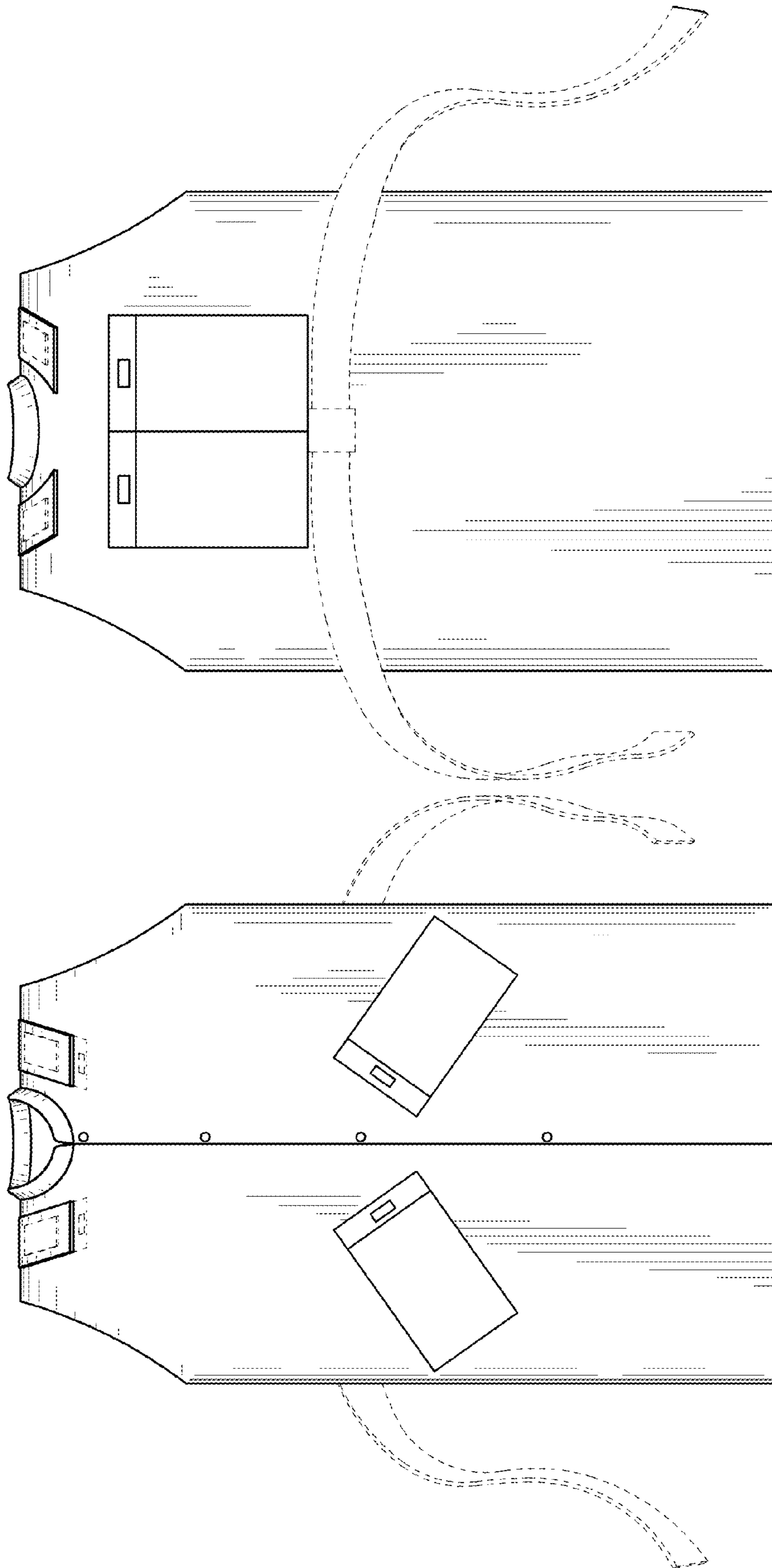


Fig. 4

Fig. 3