



US00D903974S

(12) **United States Design Patent** (10) **Patent No.:** **US D903,974 S**
Moreno Piedra (45) **Date of Patent:** **** Dec. 1, 2020**

(54) **REAR FASCIA PART FOR A FORKLIFT**
(71) Applicant: **AUSA Center, S.L.U.**, Manresa (ES)
(72) Inventor: **Francesc Xavier Moreno Piedra**,
Manresa (ES)
(73) Assignee: **AUSA Center, S.L.U.**, Manresa (ES)
(**) Term: **15 Years**
(21) Appl. No.: **29/689,520**
(22) Filed: **Apr. 30, 2019**

D673,489 S 1/2013 Hanson et al.
D696,831 S * 12/2013 Kazaoka D34/35
D710,765 S 8/2014 Conway et al.
D722,214 S * 2/2015 Yakushi D34/35
D738,274 S 9/2015 Hanson et al.
D746,014 S * 12/2015 Rekow D34/35
D746,534 S * 12/2015 Rekow D34/35
D765,566 S 9/2016 Vena et al.
D772,759 S 11/2016 Lindloff
D774,994 S 12/2016 Alemany et al.
D784,426 S * 4/2017 Okuyama D15/31
D786,742 S 5/2017 Ito et al.
D802,491 S 11/2017 Mainville
D802,871 S * 11/2017 Knie D34/35
D803,731 S 11/2017 Zipfel et al.

(Continued)

(30) **Foreign Application Priority Data**

Dec. 26, 2018 (ES) 005944022

(51) **LOC (12) Cl.** **12-05**

(52) **U.S. Cl.**
USPC **D34/35; D15/31; D15/28**

(58) **Field of Classification Search**
USPC D15/22–28, 31, 33, 30; D34/34, 35;
414/572, 592, 631, 785, 640, 601, 602,
414/685, 687, 688, 694; 180/89.12,
180/89.13, 89.17

CPC B66F 9/24; B66F 9/07563; B66F 9/105;
B66F 9/07545; B66F 9/12; B66F 9/146;
B66F 9/195; B66F 17/003

See application file for complete search history.

(56) **References Cited**

U.S. PATENT DOCUMENTS

D560,050 S * 1/2008 Tokach D15/31
D576,775 S * 9/2008 Buchmann D34/34
D578,274 S * 10/2008 Tokach D15/31
D647,827 S 11/2011 Medina et al.
D651,783 S * 1/2012 Shibata D34/35
D655,226 S 3/2012 Hanson et al.
D656,293 S * 3/2012 Kazaoka D34/35
D657,113 S * 4/2012 Shibata D34/35

Primary Examiner — Mark A Goodwin

(74) *Attorney, Agent, or Firm* — Wagenknecht IP Law
Group, PC

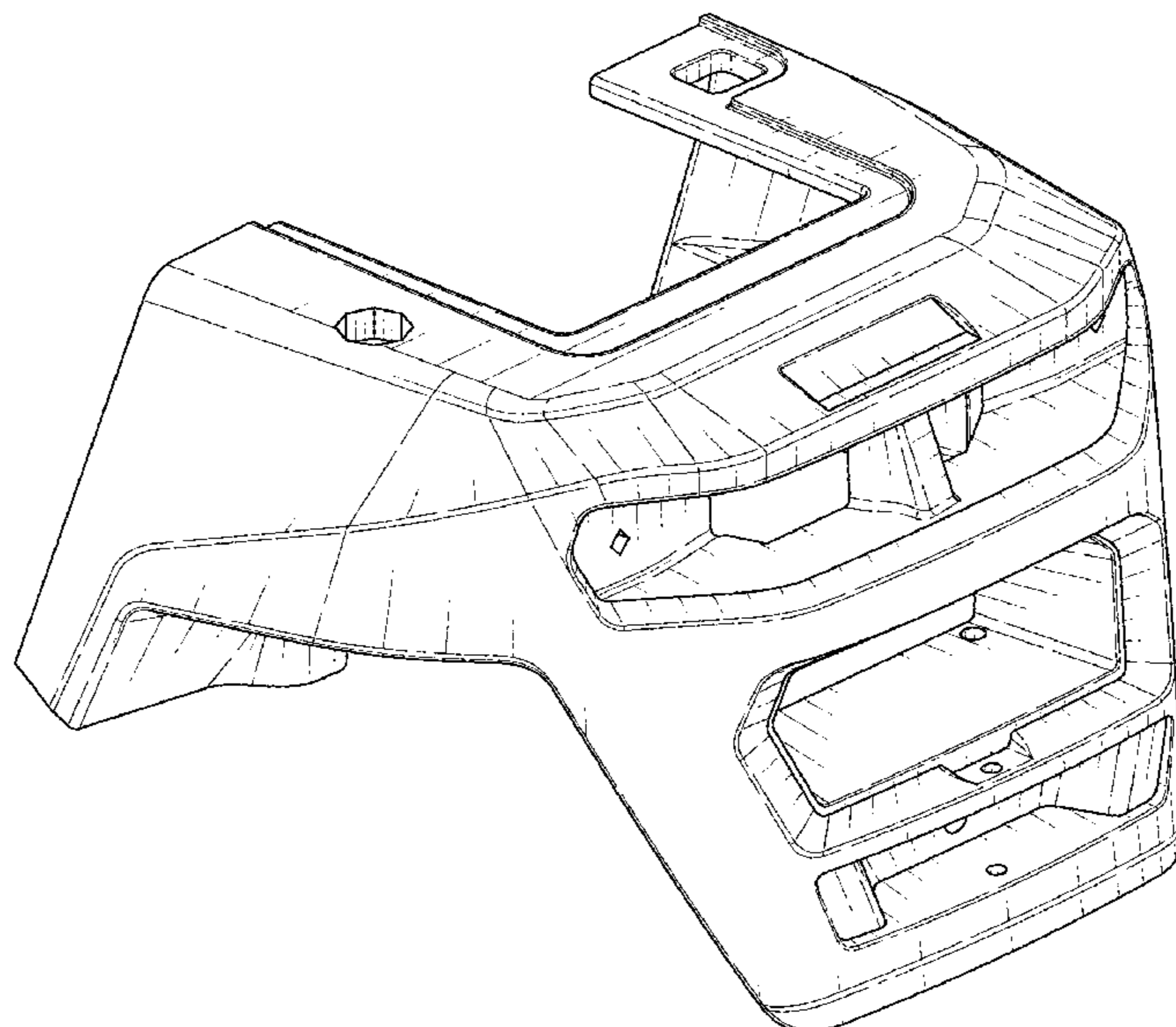
(57) **CLAIM**

What is claimed is an ornamental design for a rear fascia part
for a forklift, as shown and described.

DESCRIPTION

FIG. 1 is a front, top, left perspective view of a rear fascia
part for a forklift;
FIG. 2 is a front elevational view thereof;
FIG. 3 is a rear elevational view thereof;
FIG. 4 is a left elevational view thereof;
FIG. 5 is a right elevational view thereof;
FIG. 6 is a top plan view thereof;
FIG. 7 is a bottom plan view thereof;
FIG. 8 is a rear, top, left perspective view thereof; and,
FIG. 9 is a front, top, left perspective view thereof shown
installed on a rear fascia part for a forklift, wherein the
broken lines forming the rear fascia part for a forklift are for
illustrative purposes only and form no part of the claimed
design.

1 Claim, 7 Drawing Sheets



(56)

References Cited

U.S. PATENT DOCUMENTS

D806,762 S *	1/2018	Loew	D15/31
D814,531 S *	4/2018	Jacobsthal	D15/31
D825,407 S	8/2018	Heyde	
D830,033 S *	10/2018	Babel	D34/35
D830,242 S	10/2018	Zipfel	
D835,011 S	12/2018	Peltola et al.	
D845,184 S	4/2019	Zipfel	
D859,233 S	9/2019	Izard et al.	
D863,129 S	10/2019	Zipfel	
D864,053 S	10/2019	Zipfel	
D869,351 S	12/2019	Duncan et al.	
D869,352 S	12/2019	Duncan et al.	
D873,726 S	1/2020	Zipfel	
D885,260 S	5/2020	Peltola et al.	
D885,261 S	5/2020	Zipfel	
D885,264 S	5/2020	Lenz, Jr.	
2009/0085361 A1	4/2009	Rosen et al.	

* cited by examiner

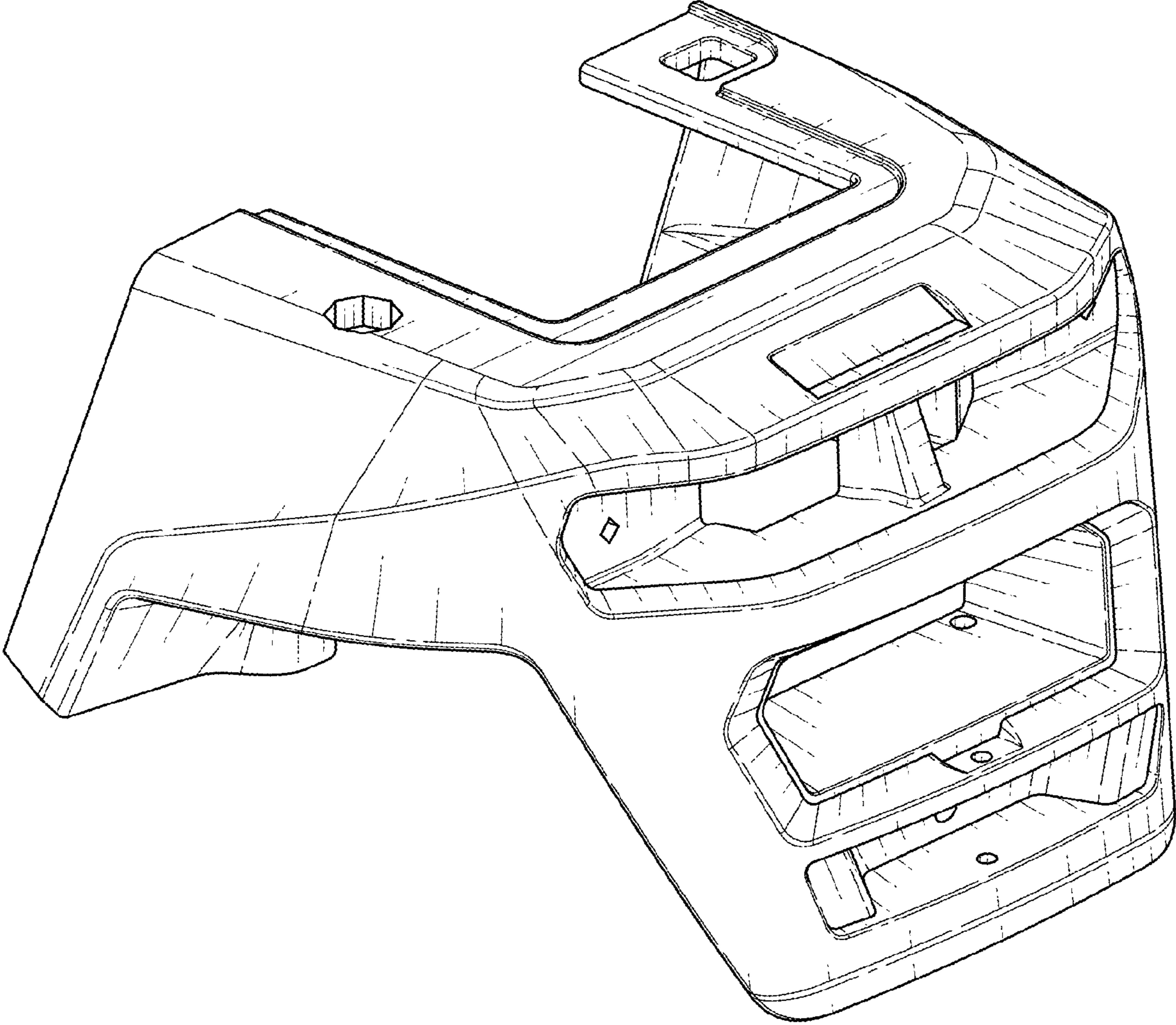


FIG. 1

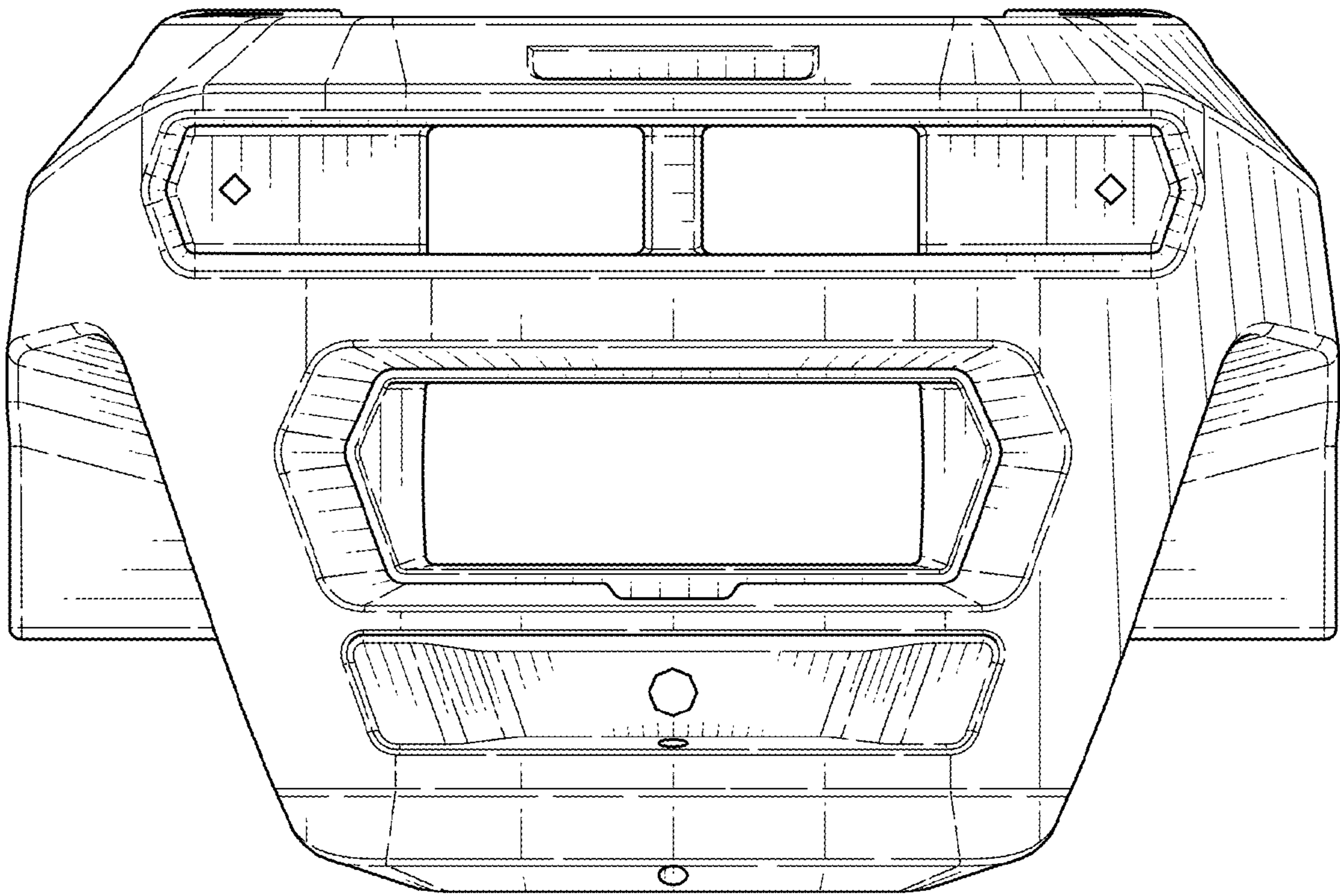


FIG. 2

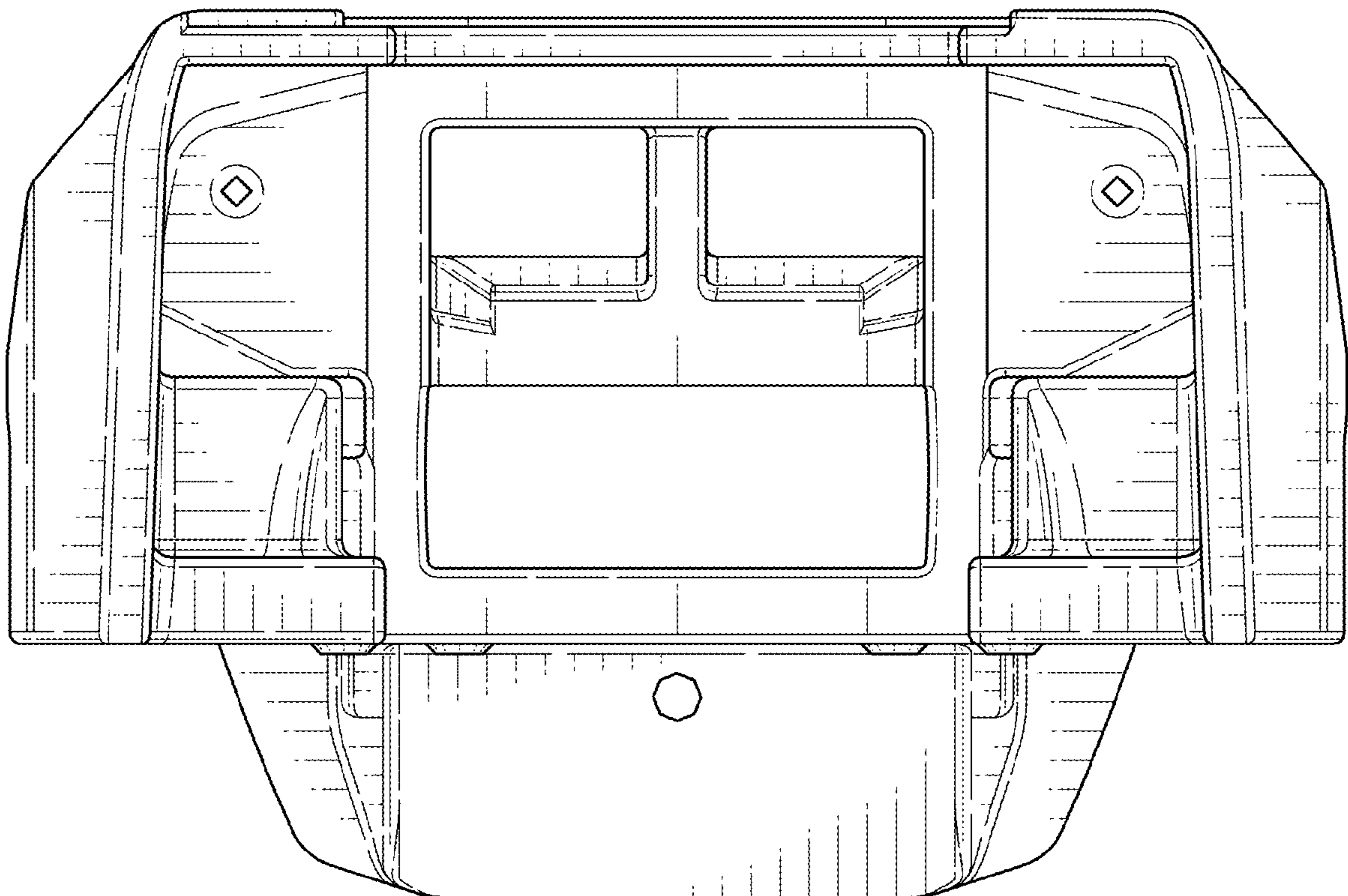


FIG. 3

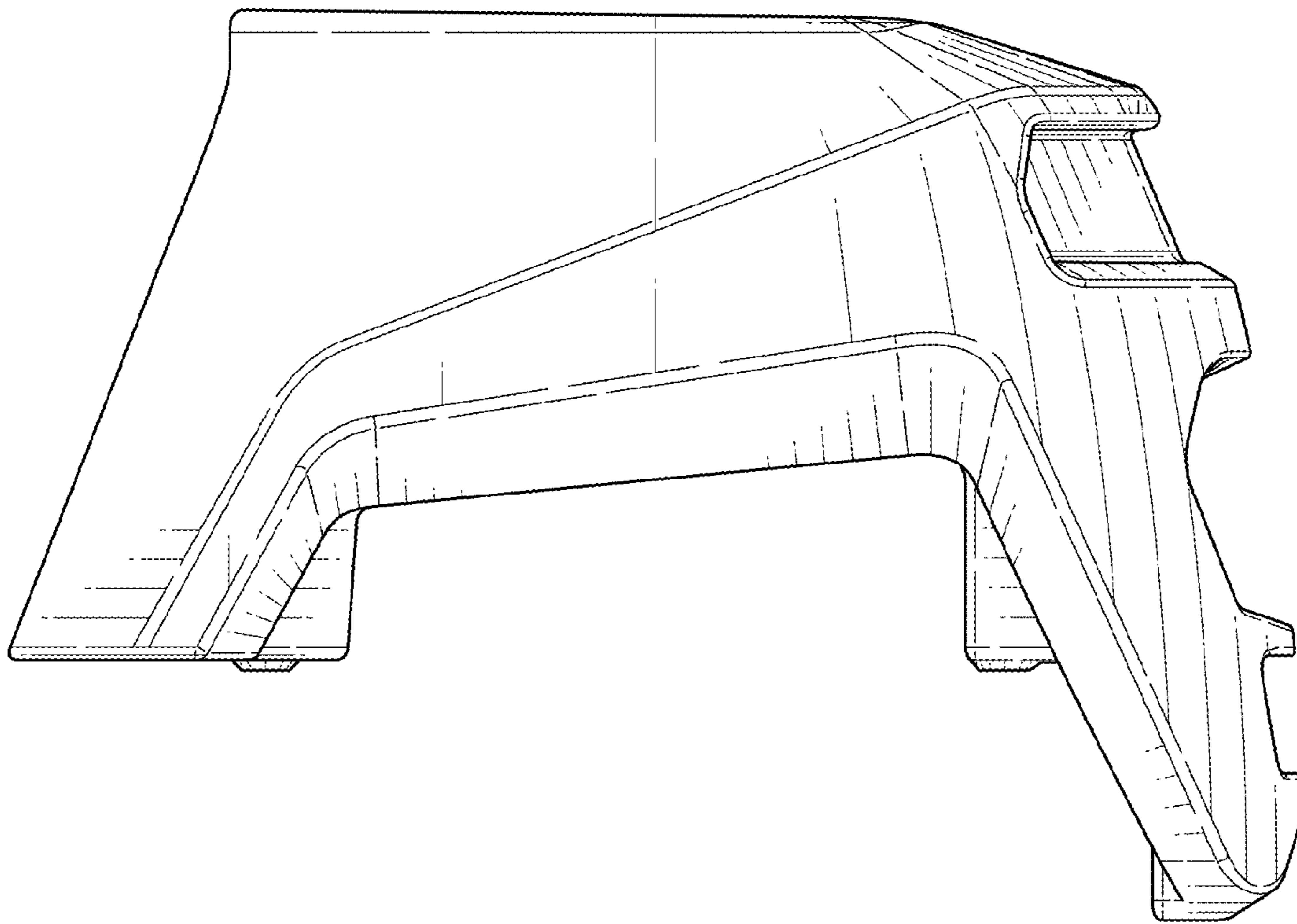


FIG. 4

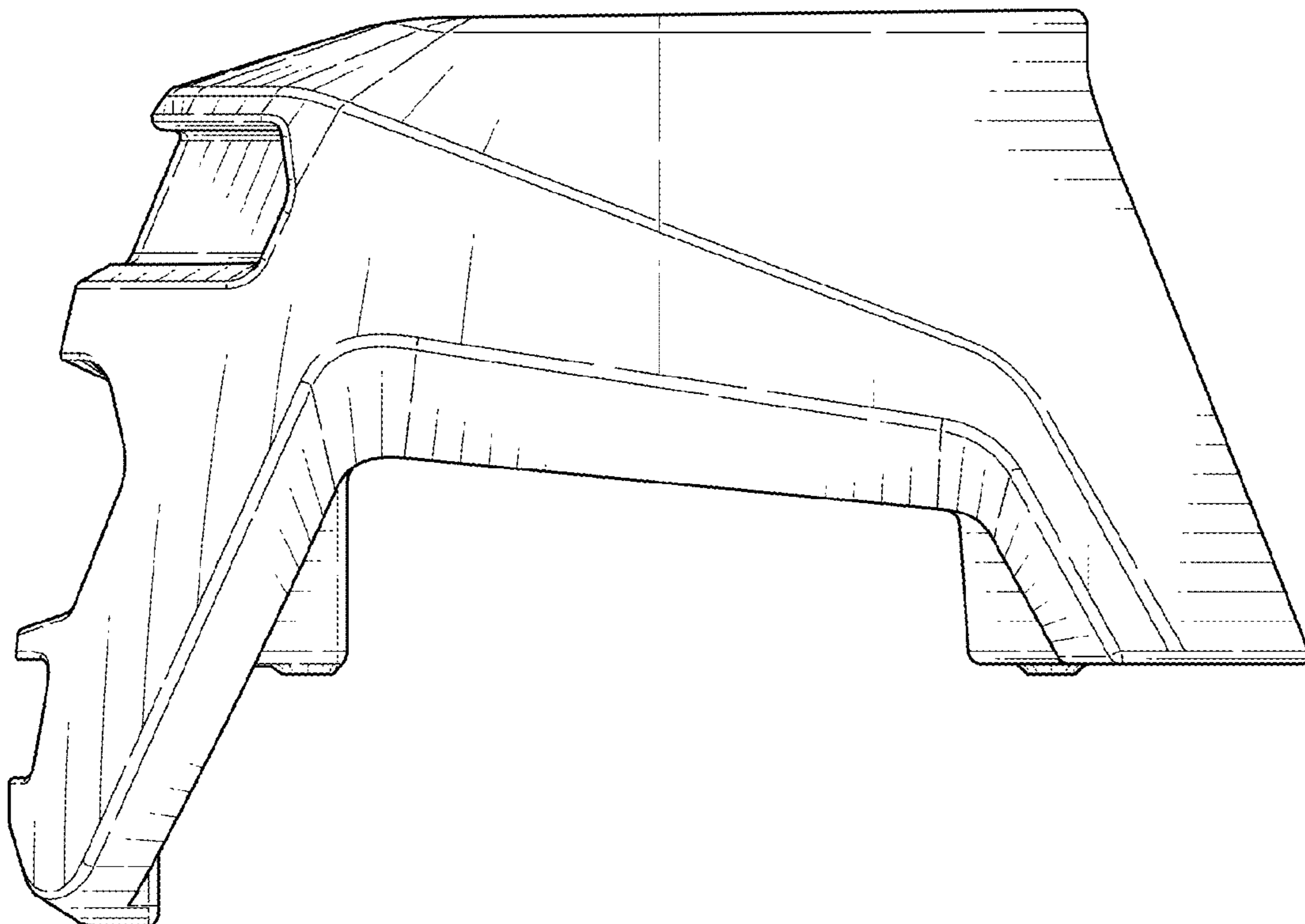


FIG. 5

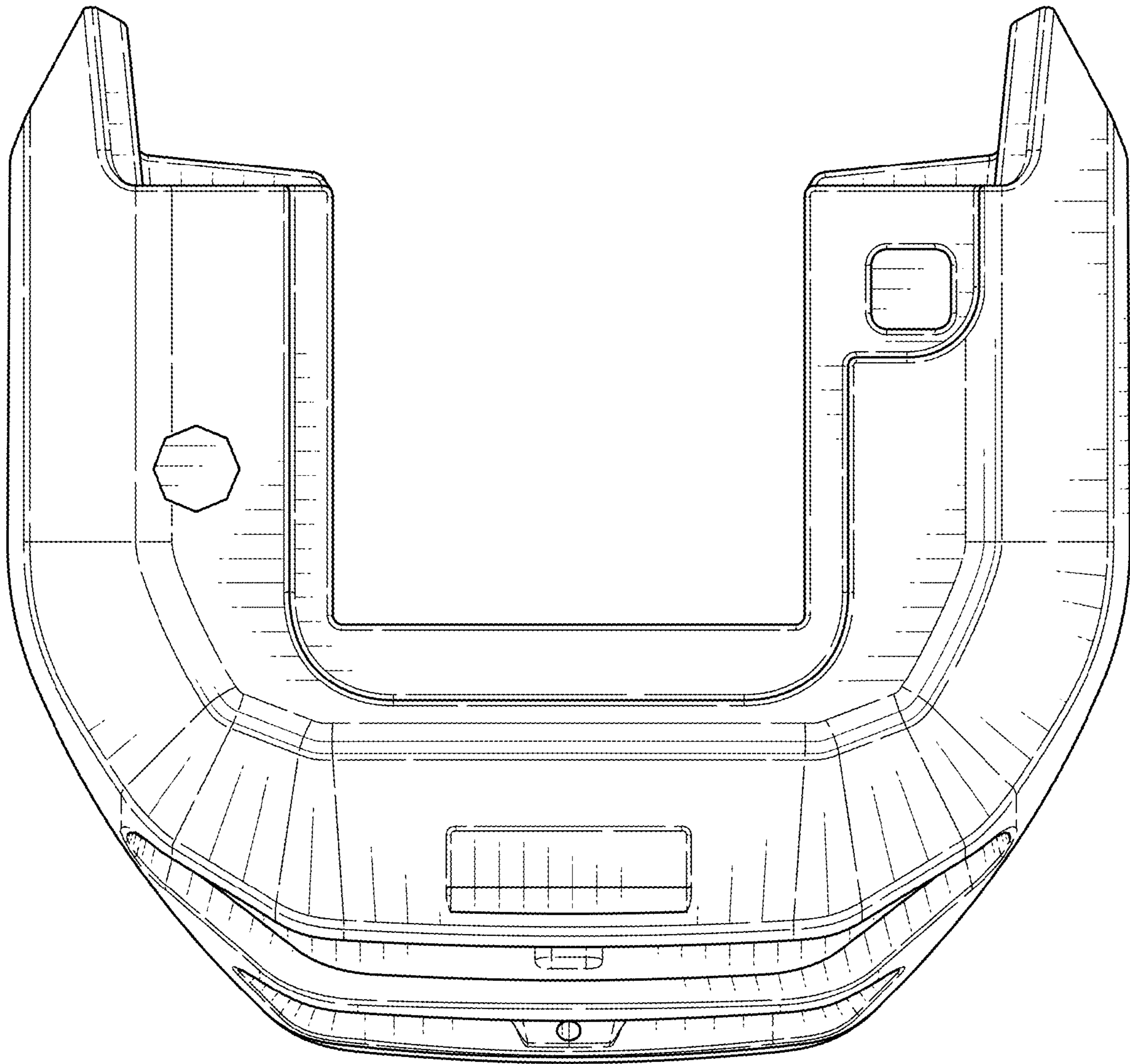


FIG. 6

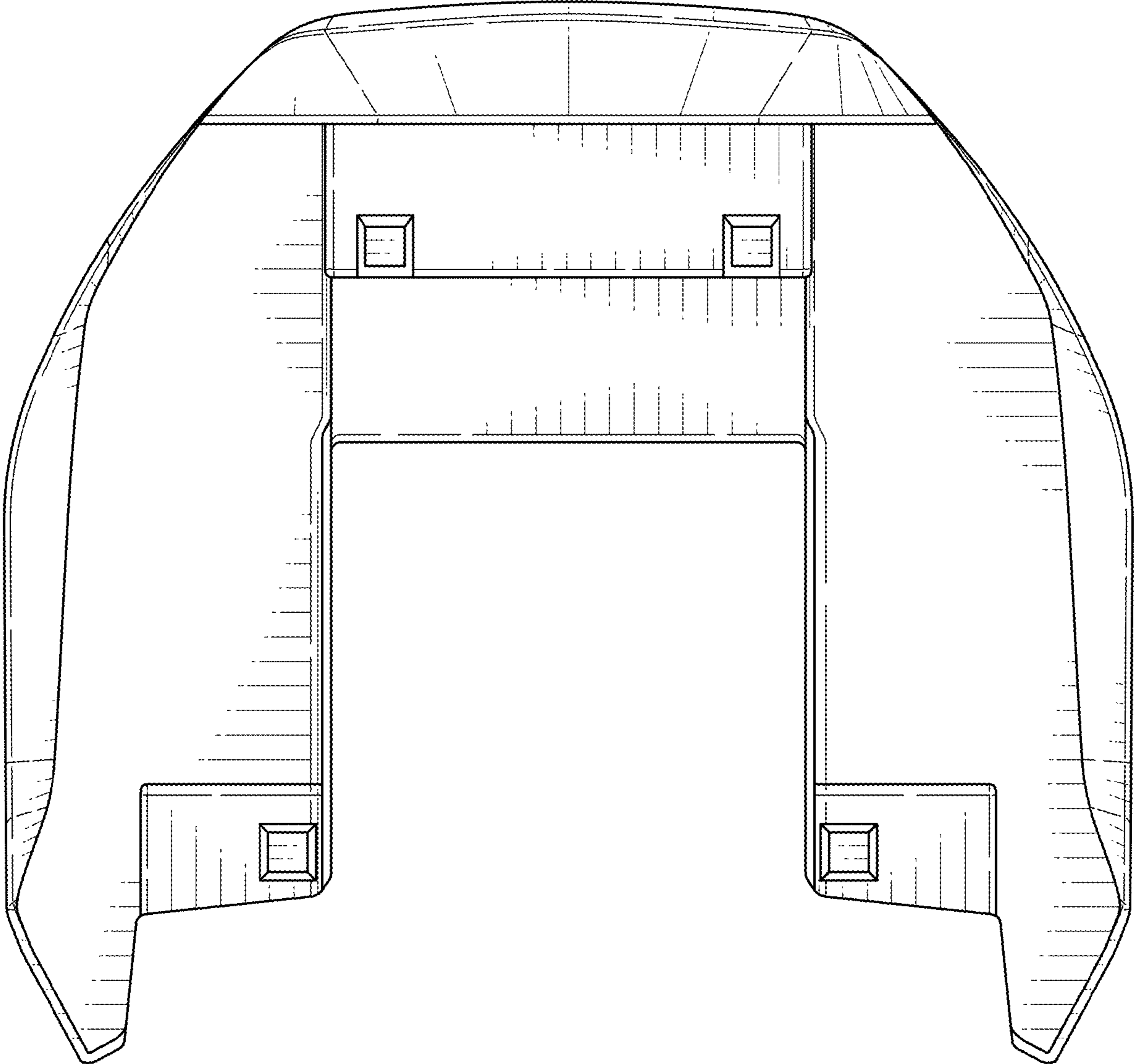


FIG. 7

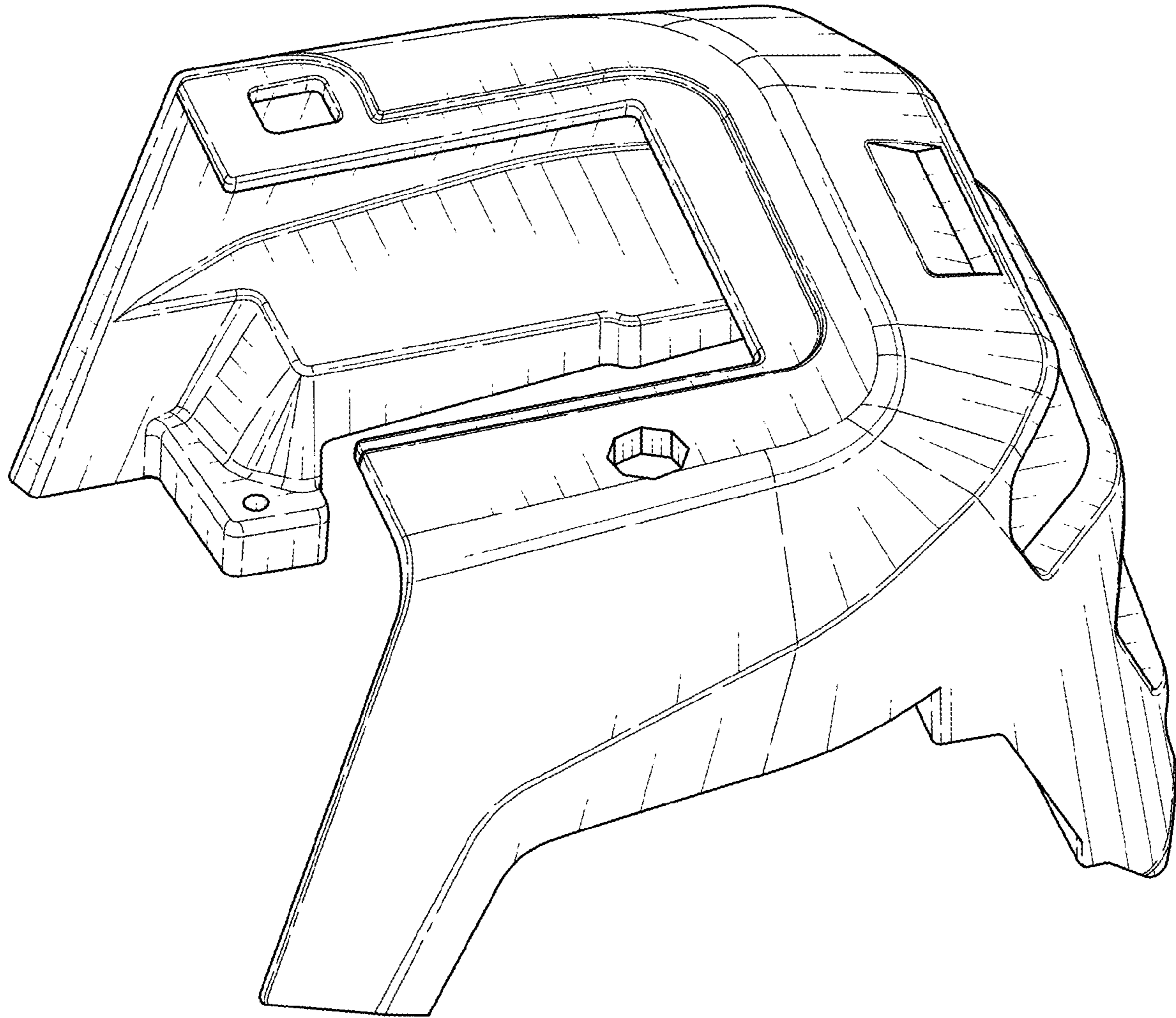


FIG. 8

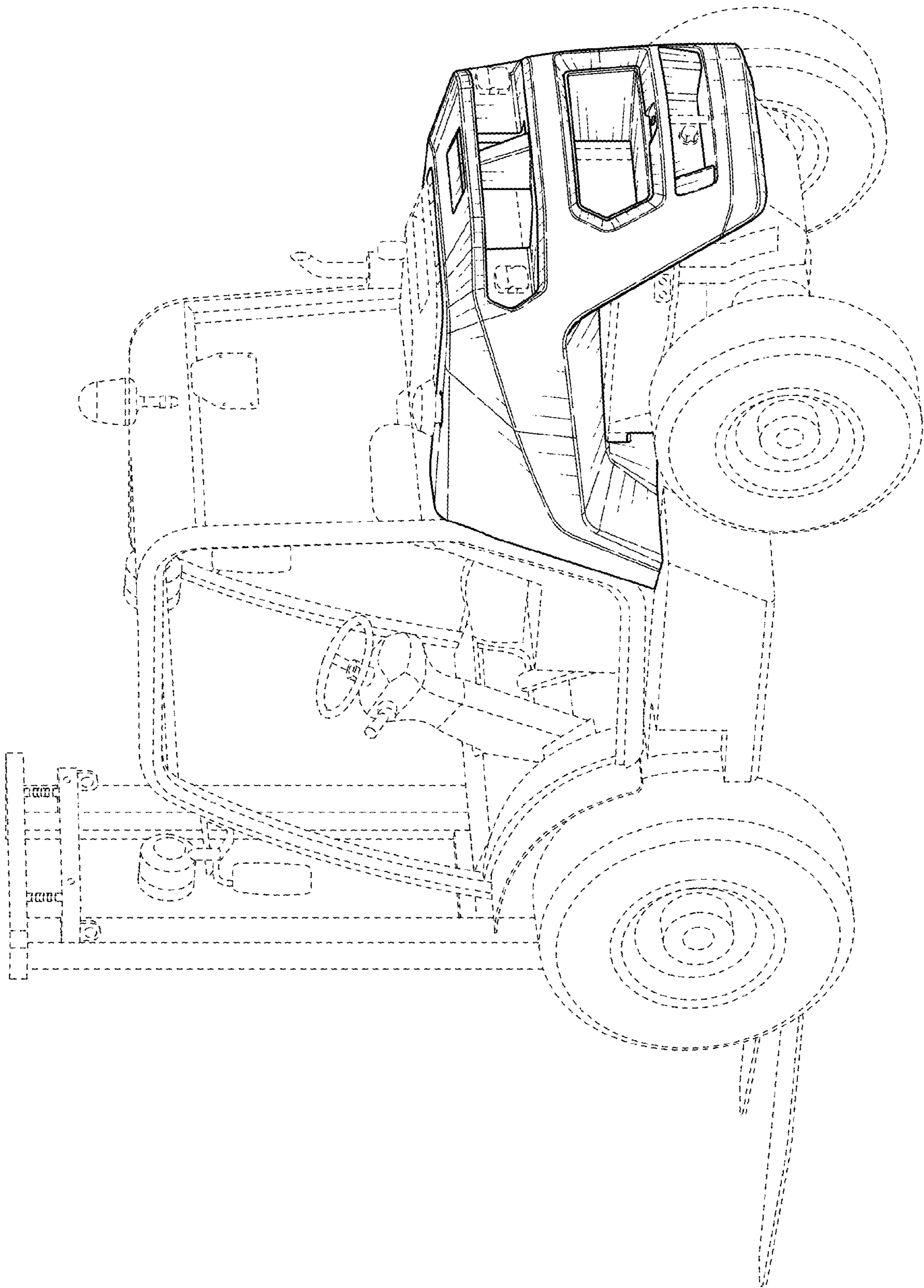


FIG. 9