



US00D903970S

(12) **United States Design Patent**
Chao et al.

(10) **Patent No.:** **US D903,970 S**
(45) **Date of Patent:** **** Dec. 1, 2020**

- (54) **PALLET TRUCK**
- (71) Applicant: **Zhejiang E-P Equipment Co., Ltd.**, Hangzhou (CN)
- (72) Inventors: **Huang Chao**, Hangzhou (CN); **Ma Qichen**, Hangzhou (CN); **Wu Lili**, Hangzhou (CN); **Weng Lijian**, Hangzhou (CN); **Xu Linjie**, Hangzhou (CN)
- (73) Assignee: **ZHEJIANG E-P EQUIPMENT CO., LTD.**

D222,670 S	11/1971	Goodacre et al.
3,854,748 A	12/1974	Goodacre
D239,165 S	3/1976	Mono
4,047,698 A	9/1977	Ellis
4,065,012 A	12/1977	Rocco
4,096,961 A	6/1978	Rocco
4,103,795 A	8/1978	Miller
4,287,959 A	9/1981	Inman
4,577,463 A	3/1986	Kedem
4,615,533 A	10/1986	Sewell
5,113,960 A	5/1992	Prinz
D343,935 S	2/1994	Drobeck et al.

(Continued)

- (**) Term: **15 Years**
- (21) Appl. No.: **29/708,923**
- (22) Filed: **Oct. 10, 2019**

Related U.S. Application Data

- (62) Division of application No. 29/644,483, filed on Apr. 18, 2018, now Pat. No. Des. 874,083.
- (51) **LOC (12) Cl.** **12-05**
- (52) **U.S. Cl.**
USPC **D34/34**
- (58) **Field of Classification Search**
USPC D34/34
CPC ... B62B 3/0612; B62B 3/0618; B62B 5/0069;
B62B 5/0438; B66F 9/12; B66F 9/22;
B66F 9/085; B66F 9/186
See application file for complete search history.

(56) **References Cited**

U.S. PATENT DOCUMENTS

D136,279 S	8/1943	Holland et al.
2,592,091 A	4/1952	Weaver
3,043,388 A	7/1962	Hansen
3,249,170 A	5/1966	Quayle
3,295,881 A	1/1967	Worthington
3,601,423 A	8/1971	Goodacre

OTHER PUBLICATIONS

Brochure for "PDS Power Drive Straddle Trucks" issued by Blue Giant®, Sep. 1, 2010 (2 pages).

(Continued)

Primary Examiner — Cynthia Ramirez

(74) *Attorney, Agent, or Firm* — Cook Alex Ltd.

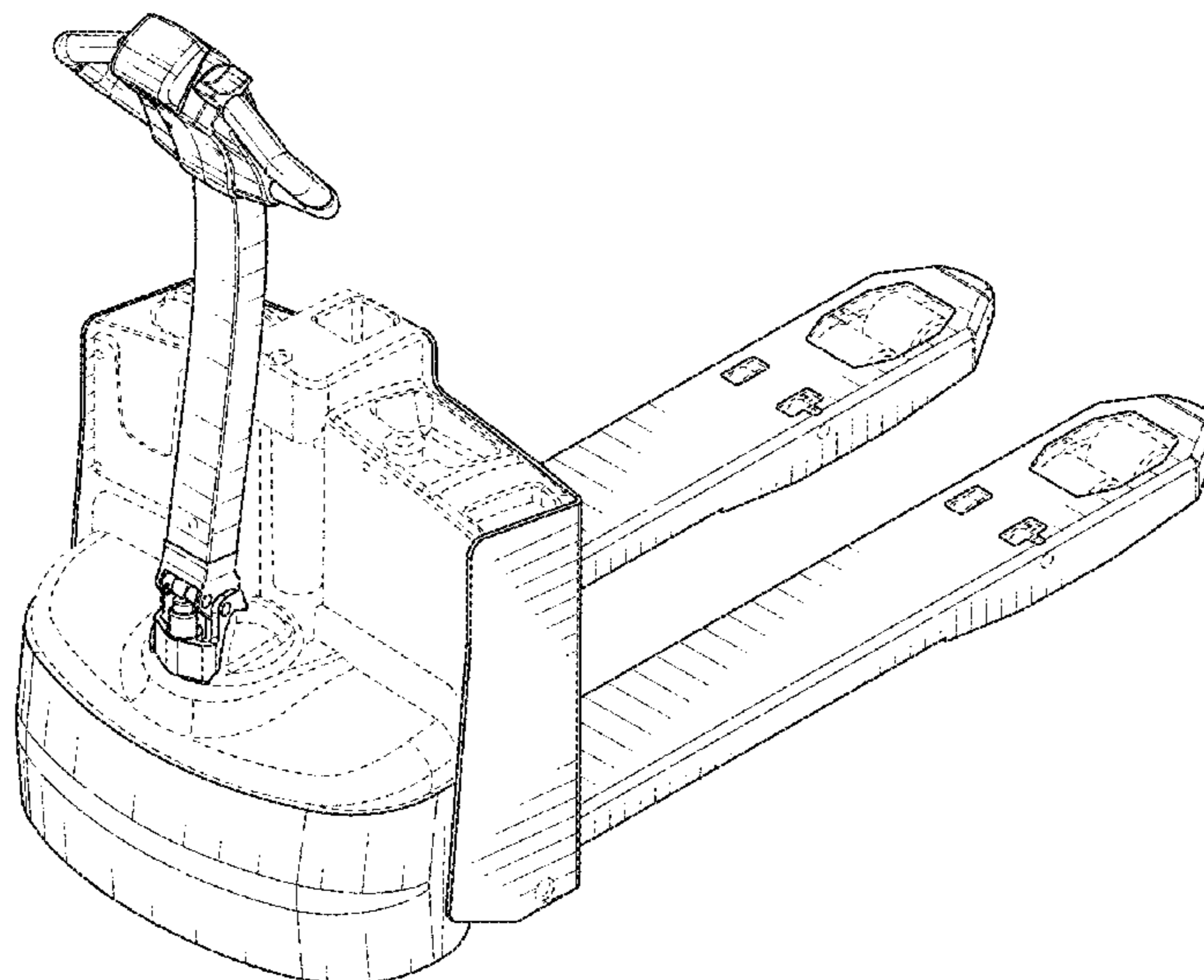
(57) **CLAIM**

We claim the ornamental design for a pallet truck, as shown and described.

DESCRIPTION

FIG. 1 is a right rear perspective view of a pallet truck showing our new design;
 FIG. 2 is a left rear perspective view thereof;
 FIG. 3 is a right side elevational view thereof;
 FIG. 4 is a left side elevational view thereof;
 FIG. 5 is a front elevational view thereof;
 FIG. 6 is a rear elevational view thereof;
 FIG. 7 is a top plan view thereof; and,
 FIG. 8 is a bottom plan view thereof.
 The broken lines shown in the figures are included for the purpose of illustrating portions of the pallet truck and form no part of the claimed design.

1 Claim, 6 Drawing Sheets



(56)

References Cited

U.S. PATENT DOCUMENTS

5,618,154 A 4/1997 Irons, Jr. et al.
 5,752,584 A 5/1998 Magoto et al.
 D408,958 S 4/1999 Schneider
 D419,741 S 1/2000 Johansson
 6,125,971 A 10/2000 Niebuhr et al.
 6,260,646 B1 7/2001 Fernandez et al.
 D447,612 S 9/2001 Niebuhr
 D464,785 S 10/2002 Gallagher
 7,040,427 B2 5/2006 Toomey
 D530,878 S 10/2006 Ruppert et al.
 D542,004 S 5/2007 Righi
 D559,498 S 1/2008 Ruppert et al.
 D562,525 S 2/2008 Graf et al.
 D565,270 S 3/2008 Ruppert et al.
 D583,124 S 12/2008 Stark
 D601,324 S 9/2009 Knie et al.
 D608,075 S 1/2010 Berger et al.
 D608,522 S 1/2010 Berger et al.
 D608,523 S 1/2010 Knie et al.
 7,641,011 B2 1/2010 Fridlington, Jr. et al.
 D609,424 S 2/2010 Knie et al.
 7,744,335 B1 6/2010 Cleary
 D640,031 S 6/2011 Kretschmer
 D655,064 S 2/2012 Knie
 8,230,976 B2 7/2012 Baldini
 8,246,008 B2 8/2012 De Jong et al.
 D674,982 S 1/2013 Babel et al.
 8,360,443 B2 1/2013 Ellington
 8,540,213 B2 9/2013 Feiquan et al.
 D692,202 S 10/2013 Feiquan et al.
 D692,203 S 10/2013 Feiquan et al.
 D692,204 S 10/2013 Feiquan et al.
 8,752,657 B2 6/2014 Newell
 8,833,736 B2 9/2014 Feiquan et al.
 D730,614 S 5/2015 Wu et al.
 D739,112 S 9/2015 He et al.
 D754,415 S 4/2016 Liu et al.
 D765,939 S 9/2016 Liu et al.
 D767,236 S 9/2016 Meng et al.
 9,475,513 B2 10/2016 Liu et al.
 D770,719 S 11/2016 He et al.
 D798,524 S * 9/2017 Meng D34/34
 D799,780 S * 10/2017 Meng D34/34
 D801,616 S * 10/2017 Qichen D34/28
 D802,243 S 11/2017 Qichen et al.
 D805,712 S 12/2017 Qichen et al.

D805,713 S * 12/2017 Qichen D34/34
 D819,293 S * 5/2018 Qichen D34/34
 D819,923 S * 6/2018 Qichen D34/34
 D824,633 S * 7/2018 Qichen D34/34
 D855,924 S * 8/2019 Qichen D34/34
 D856,627 S * 8/2019 Qichen D34/34
 D872,965 S * 1/2020 Yuanwei D34/34
 D874,083 S * 1/2020 Chao D34/34
 D891,022 S * 7/2020 Liping D34/34
 D895,222 S * 9/2020 Qichen D34/35
 2005/0036880 A1 2/2005 Magoto et al.
 2006/0181039 A1 8/2006 Fridlington et al.
 2006/0232030 A1 * 10/2006 Passeri B62D 51/02
 280/43.12
 2009/0260923 A1 10/2009 Baldini
 2013/0153840 A1 * 6/2013 Feiquan B66F 9/22
 254/2 R
 2015/0102274 A1 * 4/2015 He B62B 3/0612
 254/2 C
 2016/0023872 A1 * 1/2016 Liu B62B 3/0612
 254/2 R
 2016/0311670 A1 * 10/2016 Huether B66F 9/065
 2018/0065653 A1 * 3/2018 Rusche B21D 53/68
 2018/0334368 A1 * 11/2018 Pan F16D 65/183
 2019/0054946 A1 * 2/2019 Yue B62B 5/04
 2019/0322508 A1 * 10/2019 Lili H01M 2/1016
 2019/0322509 A1 * 10/2019 Jianming B62B 3/0612
 2020/0317244 A1 * 10/2020 Xia B62B 3/0625

OTHER PUBLICATIONS

Website for Shanghai Noblelift Co. Ltd. Guangzhou Subsidiary
 “Semi-electric Pallet Truck Spt” <http://gdnoblift.en.busytrade.com/products/info/1904267/Semi-electric-Pallet-Truck-Spt.html>, accessed Jan. 13, 2012, (4 pages).
 Website for Stars for “Electric Vehicle—Electric Pallet Truck”, <http://www.starstw.com/news/stars-electric-pallet-truck.html>, accessed Jan. 13, 2012 (1 page).
 Website for Cherry’s Industrial Equipment for “SPT15-Semi Electric Pallet Truck” <http://www.pallettruck.com/spt15.html>, accessed Jan. 17, 2012 (1 page).
 E-P Equipment Co., Ltd.—Maximin Electric Pallet Truck EPT20-15ET photographs (1 page).
 Brochure for “Walkie Pallet Trucks 4,000-5,000 lbs.”, Model MPB040-E issued by Yale Materials Handling Corporation, 2006, (14 pages).
 Three (3) photographs of the “Walkie Pallet Trucks 4,000-5,000 lbs.”, Model MPB040-E by Yale Materials Handling Corporation.

* cited by examiner

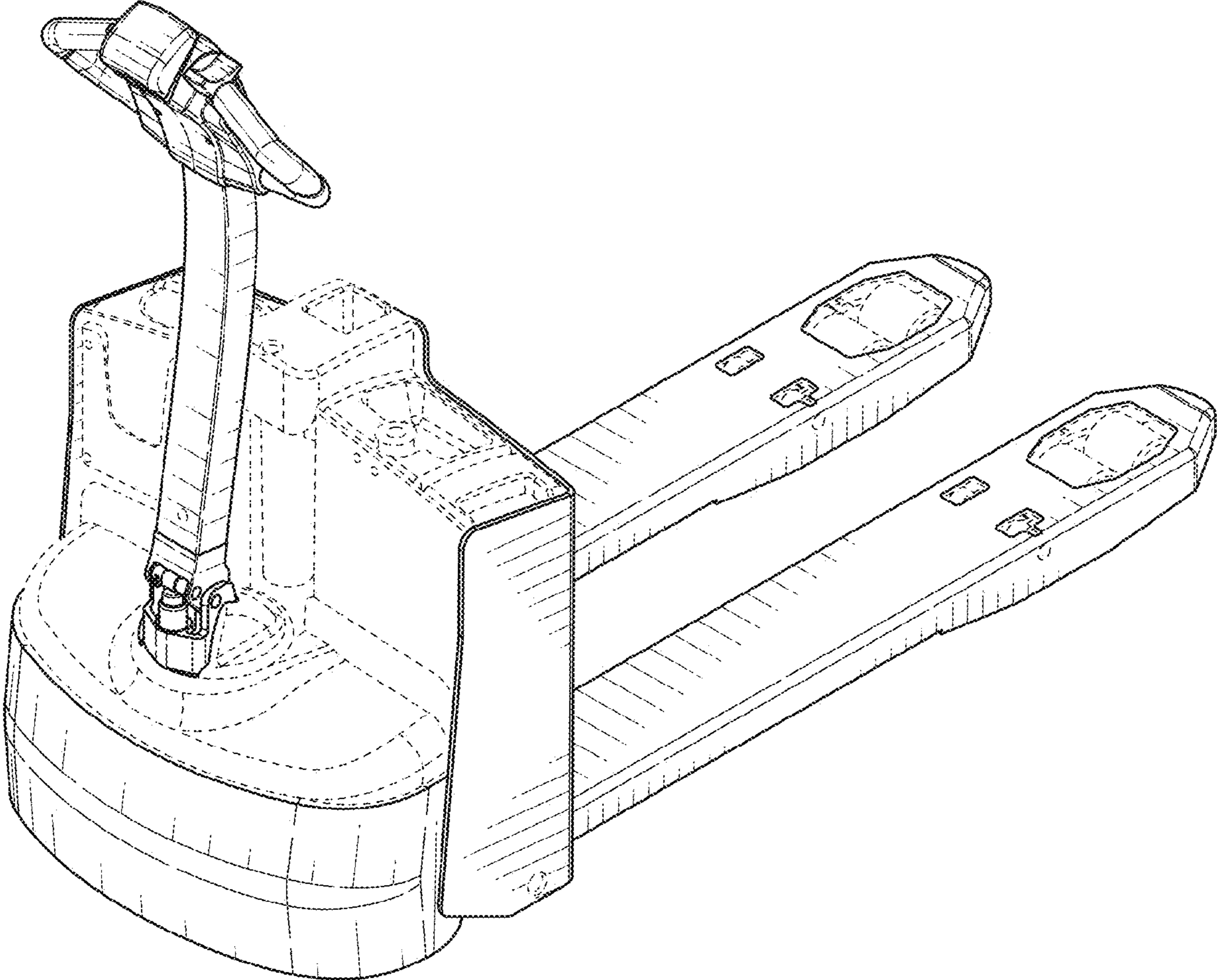


FIG. 1

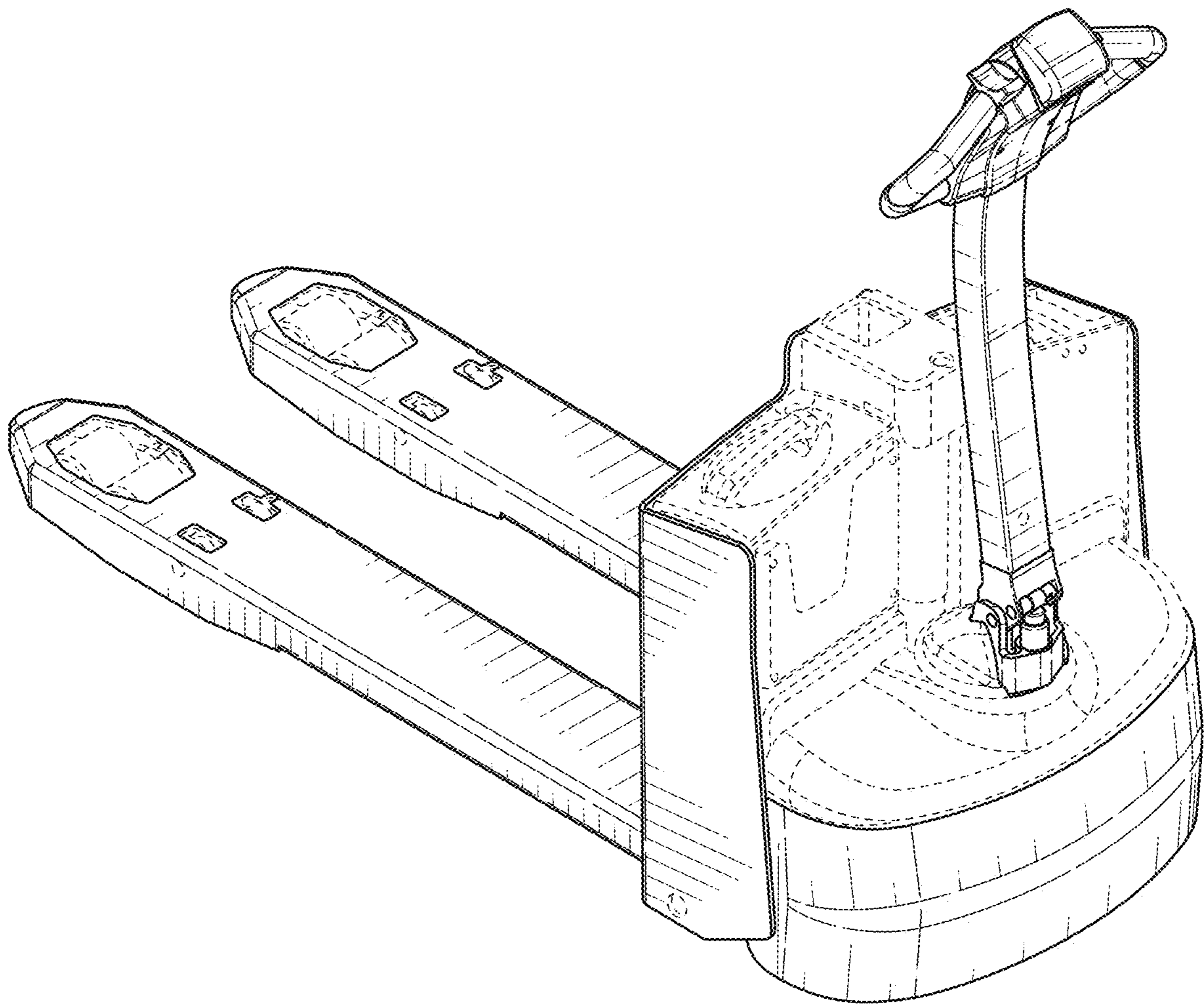


FIG. 2

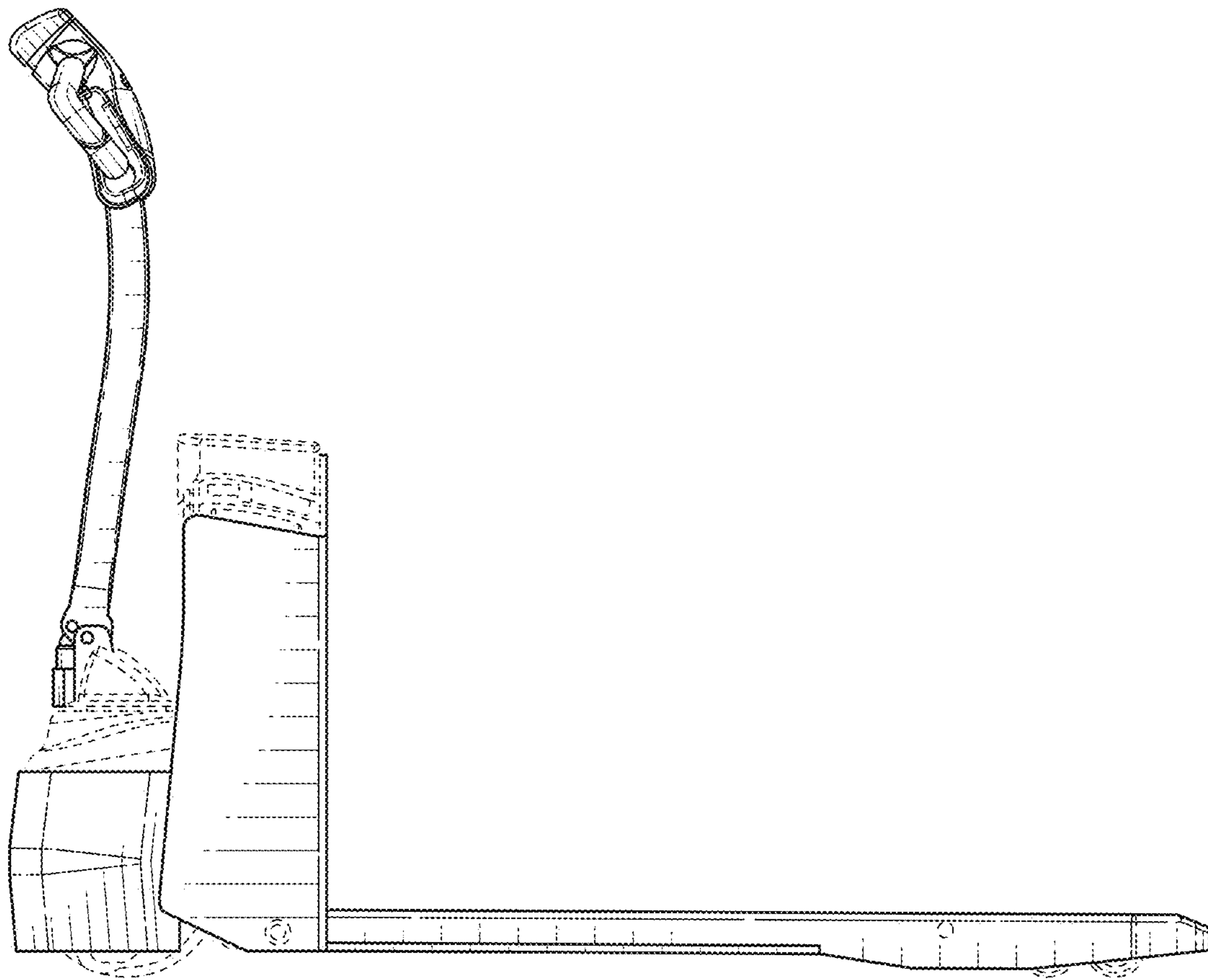


FIG. 3

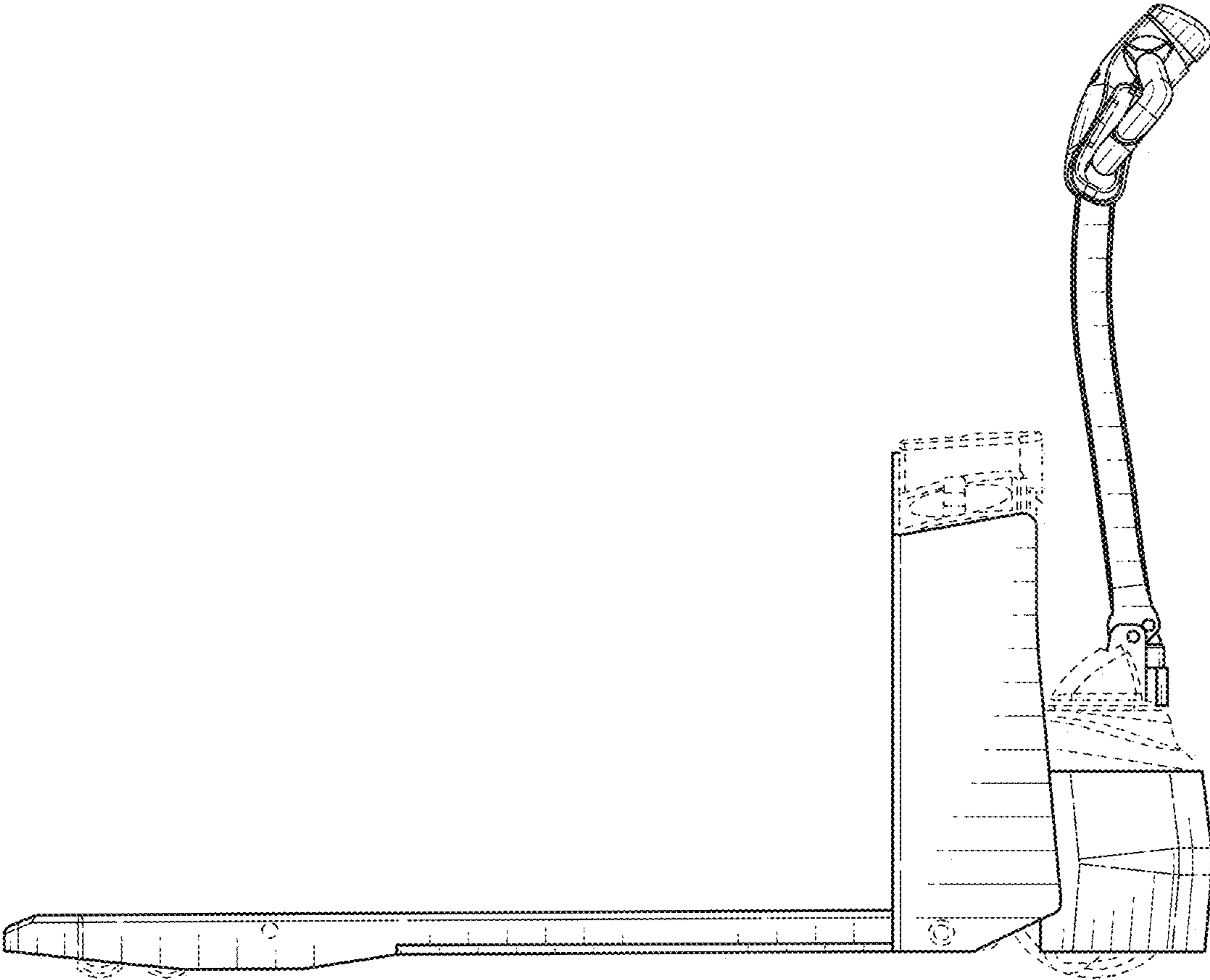


FIG. 4

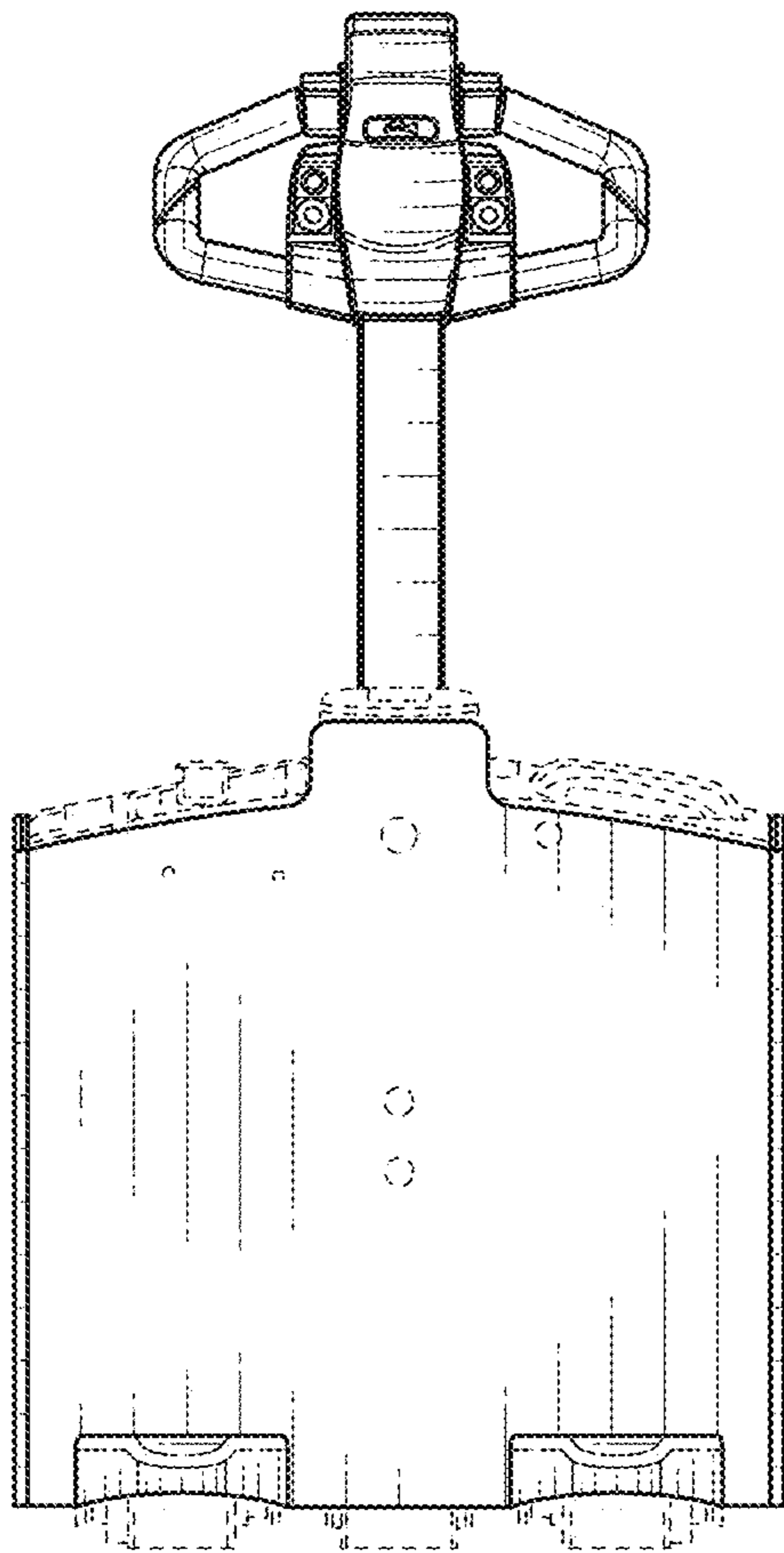


FIG. 5

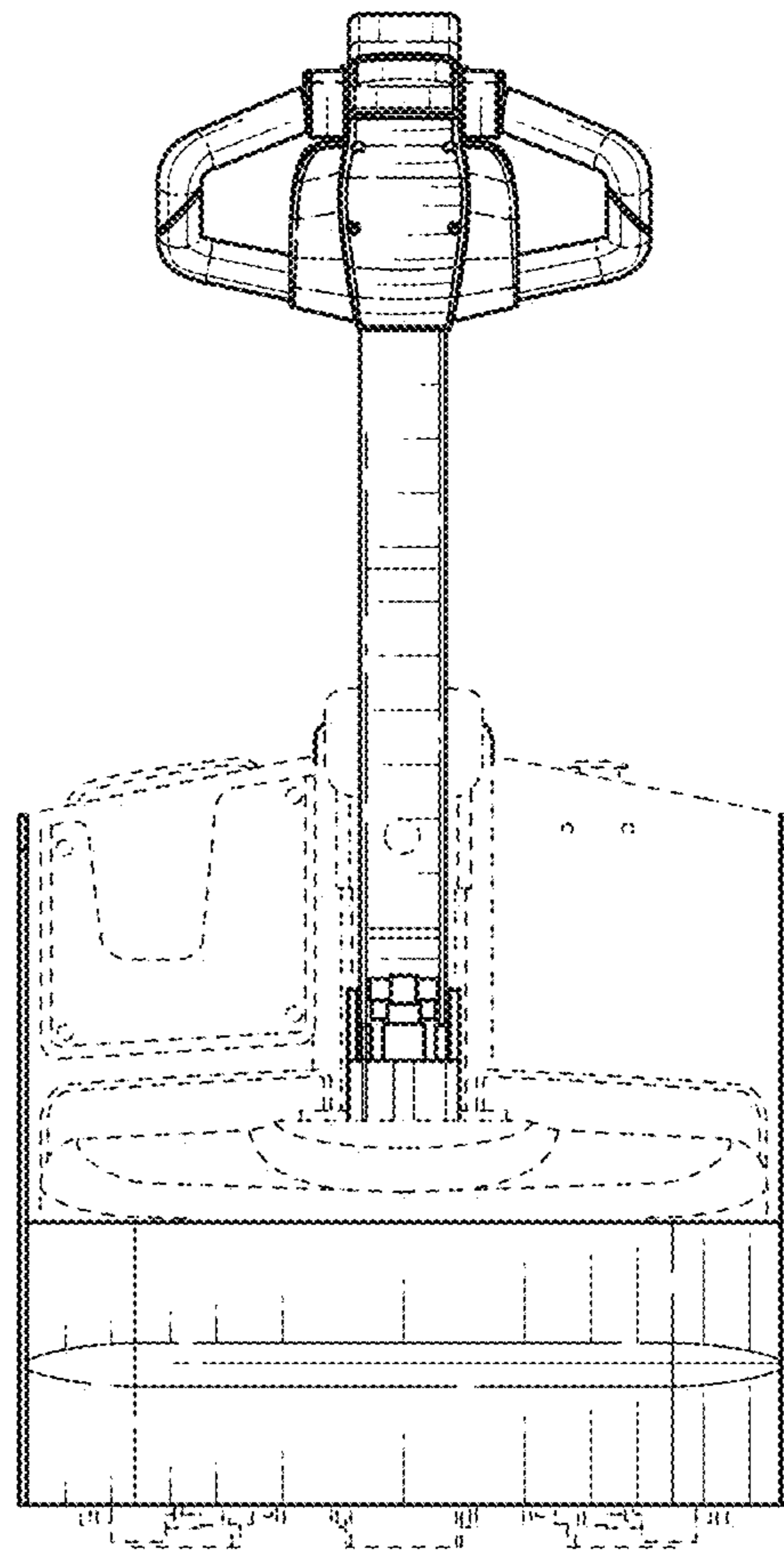


FIG. 6

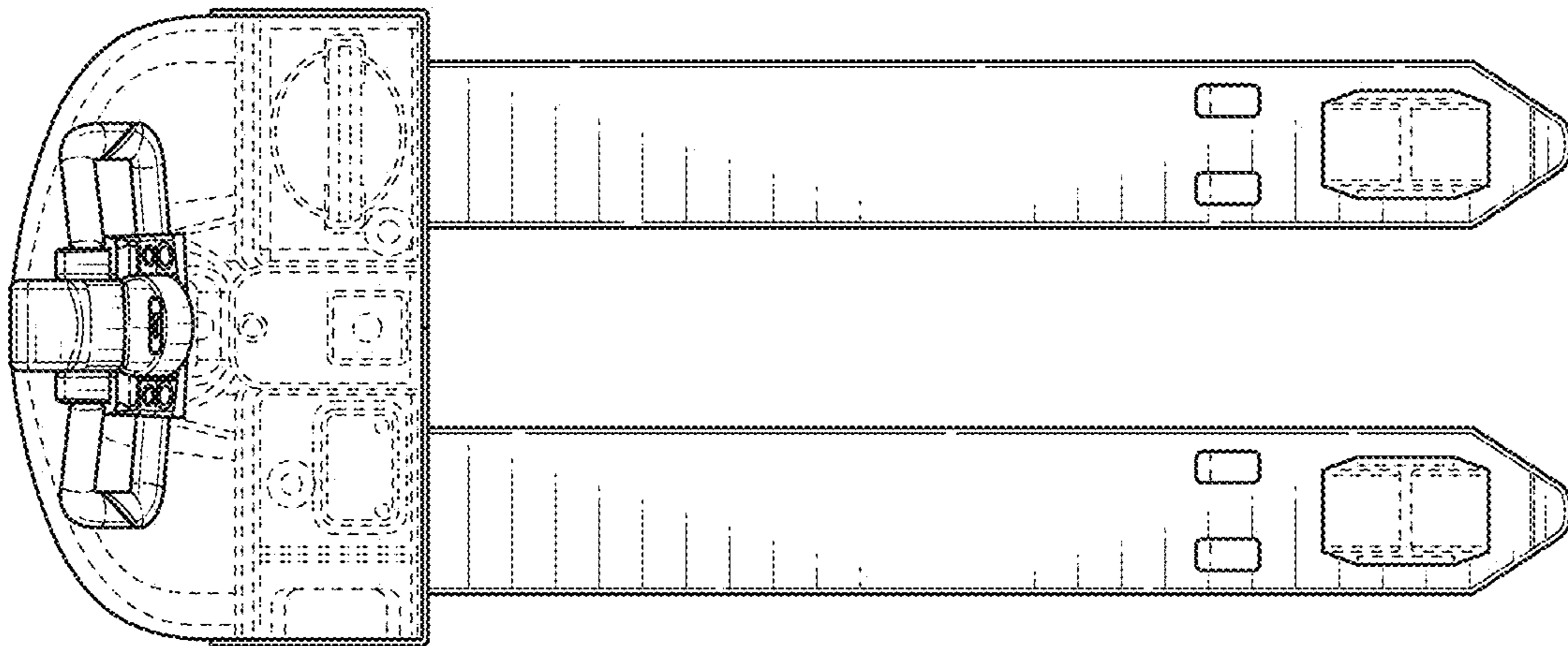


FIG. 7

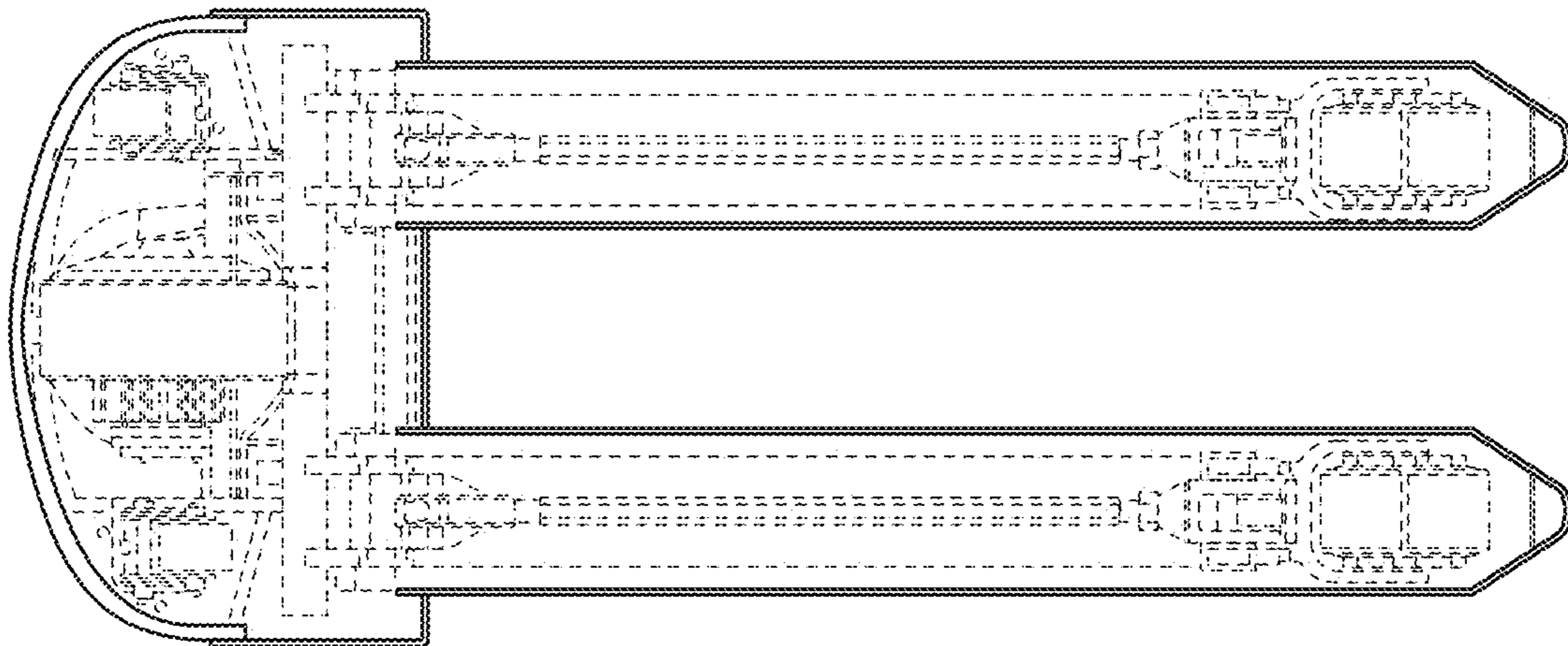


FIG. 8