



US00D903968S

(12) **United States Design Patent** (10) **Patent No.:** **US D903,968 S**  
**Watson et al.** (45) **Date of Patent:** **\*\* Dec. 1, 2020**

(54) **MACHINE FOR EARTH-MOVING,  
MATERIAL HANDLING, LIFTING, AND/OR  
CONSTRUCTION**

(71) Applicant: **J.C. BAMFORD EXCAVATORS  
LIMITED**, Uttoxeter (GB)

(72) Inventors: **Ben Watson**, Uttoxeter (GB); **Louis  
Gospel**, Uttoxeter (GB); **Steve  
Newberry**, Uttoxeter (GB)

(73) Assignee: **J.C. BAMFORD EXCAVATORS  
LIMITED**, Staffordshire (GB)

(\*\*) Term: **15 Years**

(21) Appl. No.: **29/706,329**

(22) Filed: **Sep. 19, 2019**

(30) **Foreign Application Priority Data**

Mar. 26, 2019 (WO) ..... DM/202419

(51) **LOC (12) Cl.** ..... **12-05**

(52) **U.S. Cl.**  
USPC ..... **D34/34; D34/35; D15/28**

(58) **Field of Classification Search**  
USPC ..... D34/34, 35, 28, 33, 37; D15/28, 22-26;  
296/190, 202; 37/341, 442; 414/529,  
414/572, 718, 785, 607

(Continued)

(56) **References Cited**

**U.S. PATENT DOCUMENTS**

D231,975 S \* 7/1974 Aiello et al. .... D34/34  
D316,468 S \* 4/1991 Sandrock ..... D15/23

(Continued)

*Primary Examiner* — Mark A Goodwin

(74) *Attorney, Agent, or Firm* — Marshall, Gerstein &  
Borun LLP

(57) **CLAIM**

The ornamental design for a machine for earth-moving, material handling, lifting, and/or construction, as shown and described.

**DESCRIPTION**

FIG. 1 is a top, front, and right-side isometric view a machine for earth-moving, material handling, lifting, and/or construction showing the new design.

FIG. 2 is an enlarged top, back, and right-side isometric view of the part of the machine that bears the claimed design.

FIG. 3 is a top plan view of the part of the machine that machine seen in FIG. 2.

FIG. 4 is a right-side elevation view of the part seen in FIG. 2.

FIG. 5 is a back elevation view of the part seen in FIG. 2.

FIG. 6 is a left-side elevation view of the part seen in FIG. 2.

FIG. 7 is a front elevation view of the part seen in FIG. 2.

FIG. 8 is a bottom plan view of the part seen in FIG. 2.

FIG. 9 is a rear elevation view of the machine for earth-moving, material handling, lifting, and/or construction seen in FIG. 1, showing a second embodiment of the design, which a mirror image of the first embodiment that is borne on a different part of the same machine.

FIG. 10 is an enlarged top, back, and left-side isometric view of the part of the machine that bears the second embodiment of the design.

FIG. 11 is a top plan view of the part seen in FIG. 10.

FIG. 12 is a rear elevation view of the part seen in FIG. 10.

FIG. 13 is a left-side elevation view of the part seen in FIG. 10.

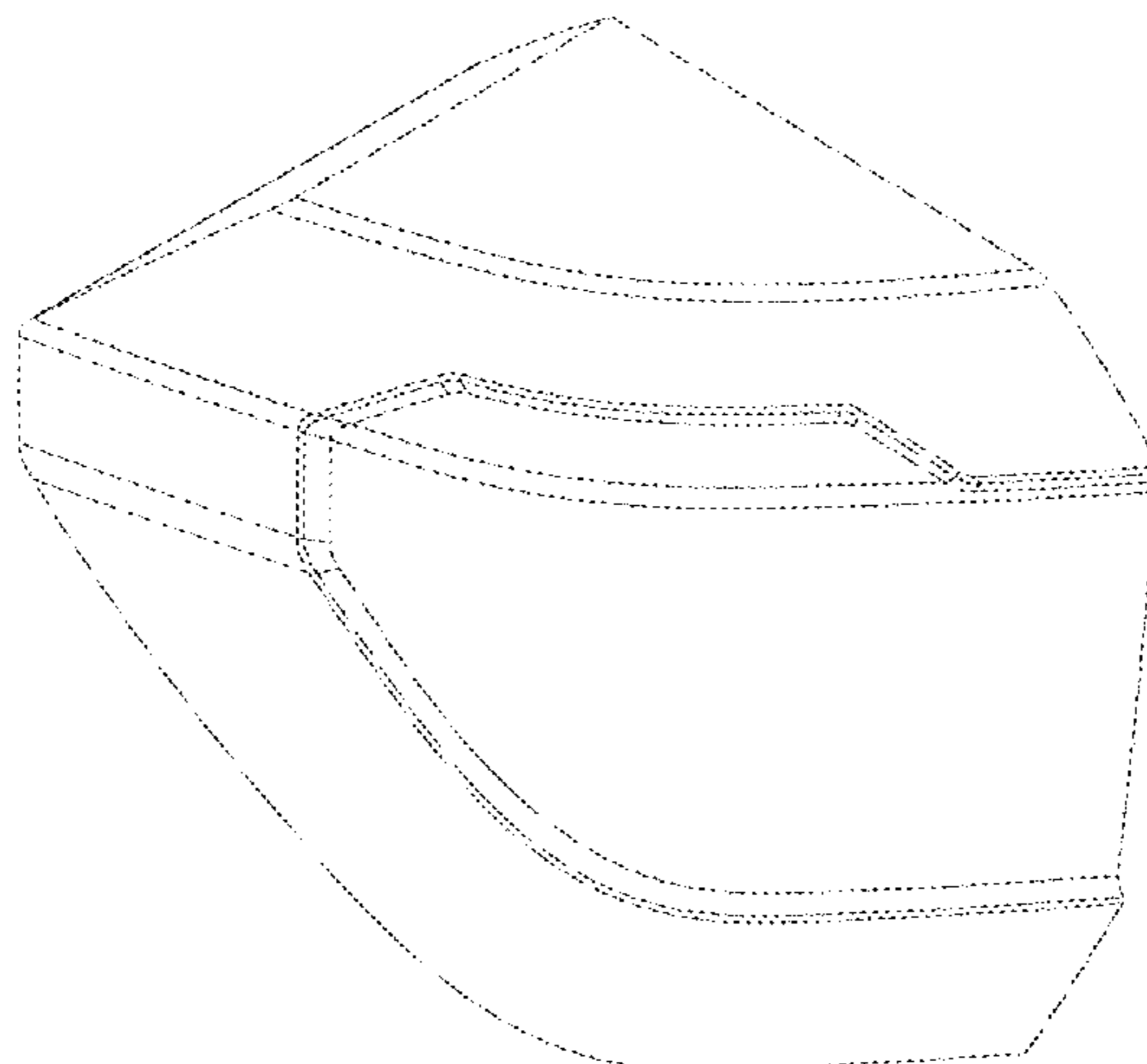
FIG. 14 is a front elevation view of the part seen in FIG. 10.

FIG. 15 is a right-side elevation view of the part seen in FIG. 10; and,

FIG. 16 is a bottom plan view of the part seen in FIG. 10.

The broken lines in FIGS. 1, 6, 9, and 15 depict portions of the machine for earth-moving, material handling, lifting, and/or construction that form no part of the claimed design.

**1 Claim, 8 Drawing Sheets**



(58) **Field of Classification Search**

CPC ..... B66F 9/0655; B66F 9/20; B66F 17/00  
See application file for complete search history.

(56) **References Cited**

U.S. PATENT DOCUMENTS

5,199,861 A \* 4/1993 Merlo ..... B66F 9/0655  
180/89.12  
D366,489 S \* 1/1996 Brown ..... D15/22  
D376,243 S \* 12/1996 Magni ..... D34/34  
5,687,809 A \* 11/1997 Braud ..... B60K 5/04  
180/292  
5,836,733 A \* 11/1998 Moses ..... B66F 9/0655  
414/685  
D438,359 S \* 2/2001 Braud ..... D15/23  
D460,085 S \* 7/2002 Crookes ..... D15/25  
D461,831 S \* 8/2002 Laberheim ..... D15/25  
D480,529 S \* 10/2003 Pini ..... D34/34  
D609,721 S \* 2/2010 Schmidt ..... D15/23  
D610,170 S \* 2/2010 Schmidt ..... D15/23  
D634,757 S \* 3/2011 Mack ..... D15/10  
D668,271 S \* 10/2012 Hutchinson ..... D15/33  
D723,240 S \* 2/2015 Gonzales ..... D34/35  
D756,057 S \* 5/2016 Nessler ..... D34/34  
D855,659 S \* 8/2019 Kasaba ..... D15/23

\* cited by examiner

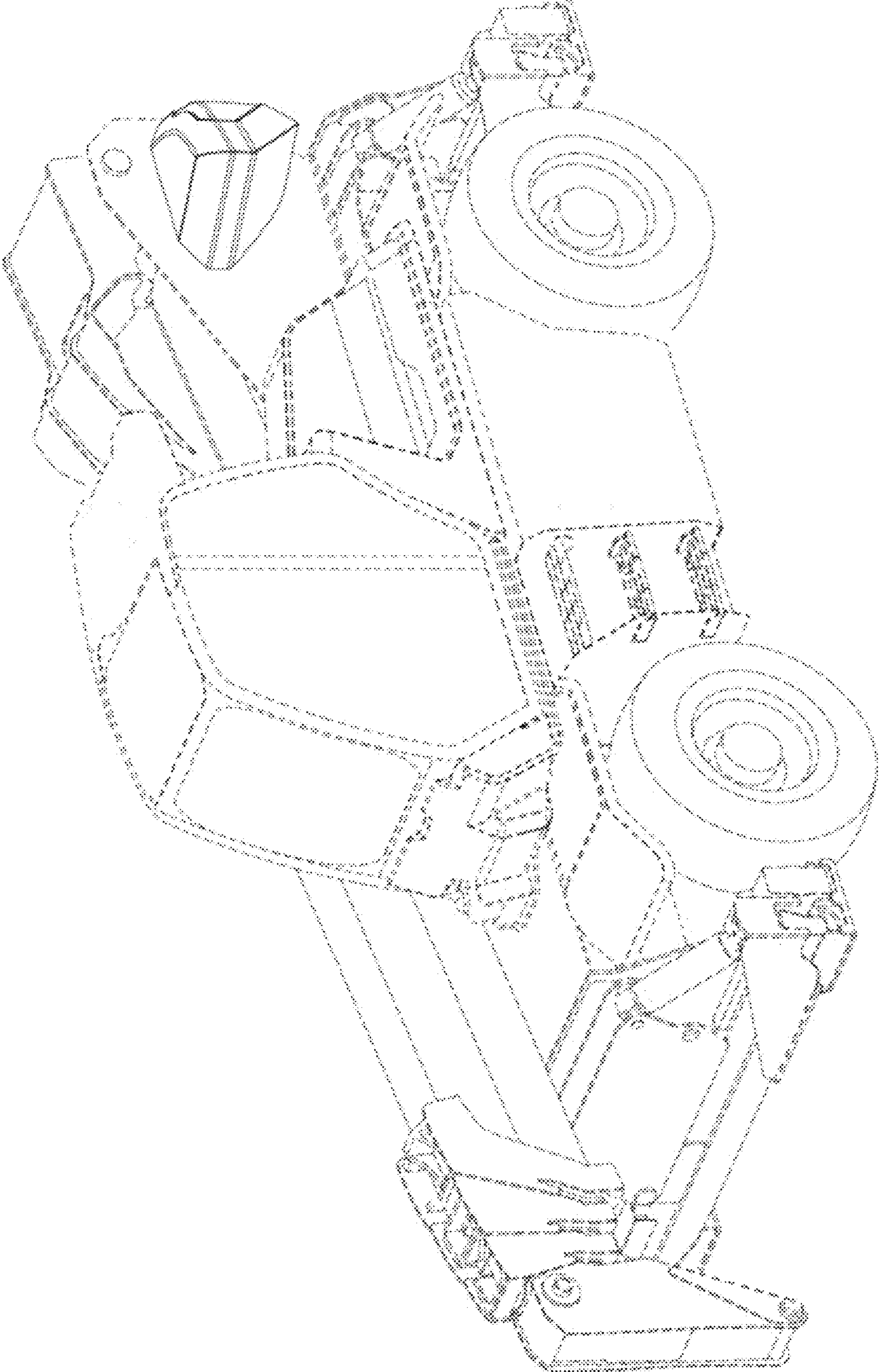


Fig. 1

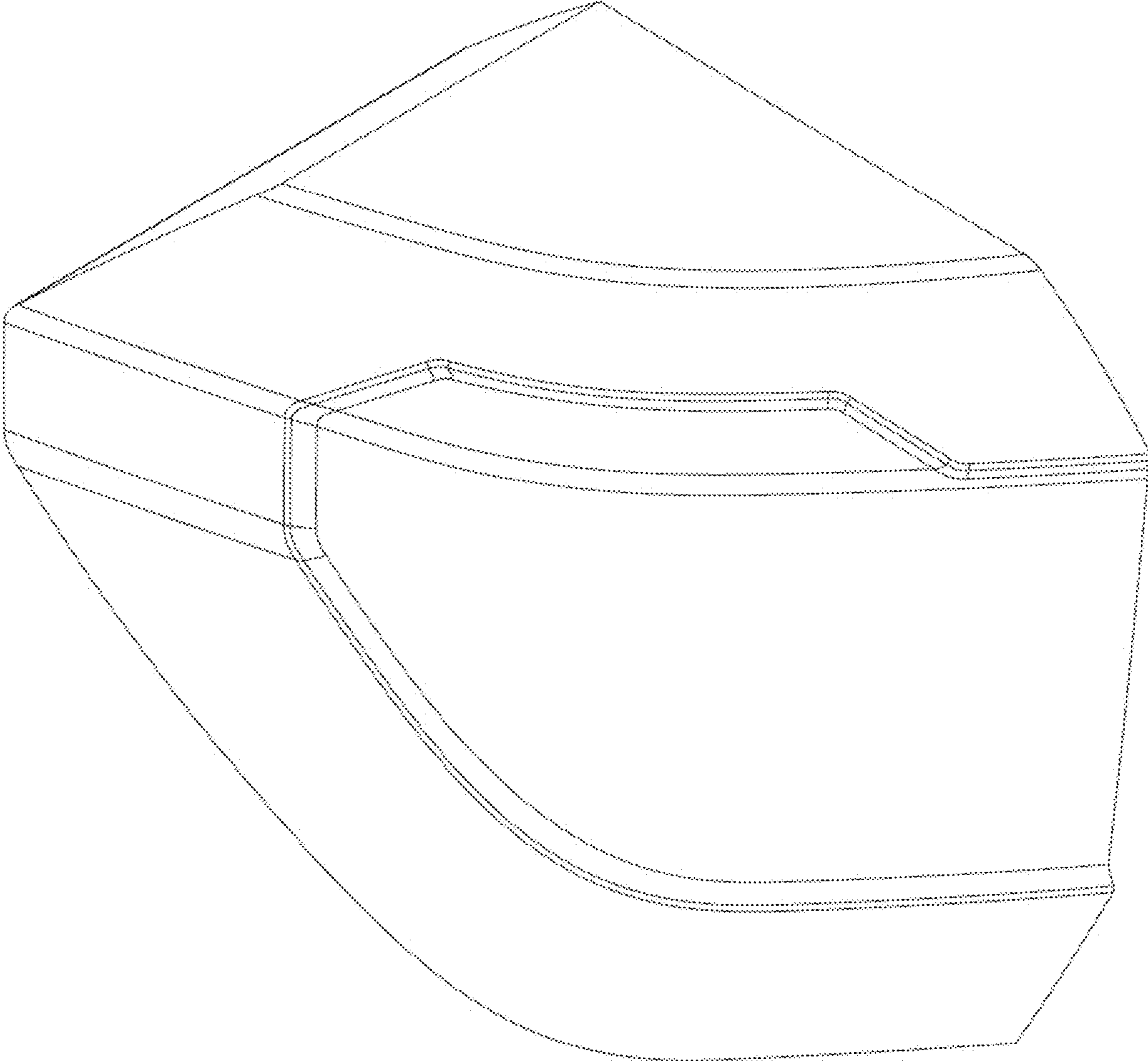


Fig. 2

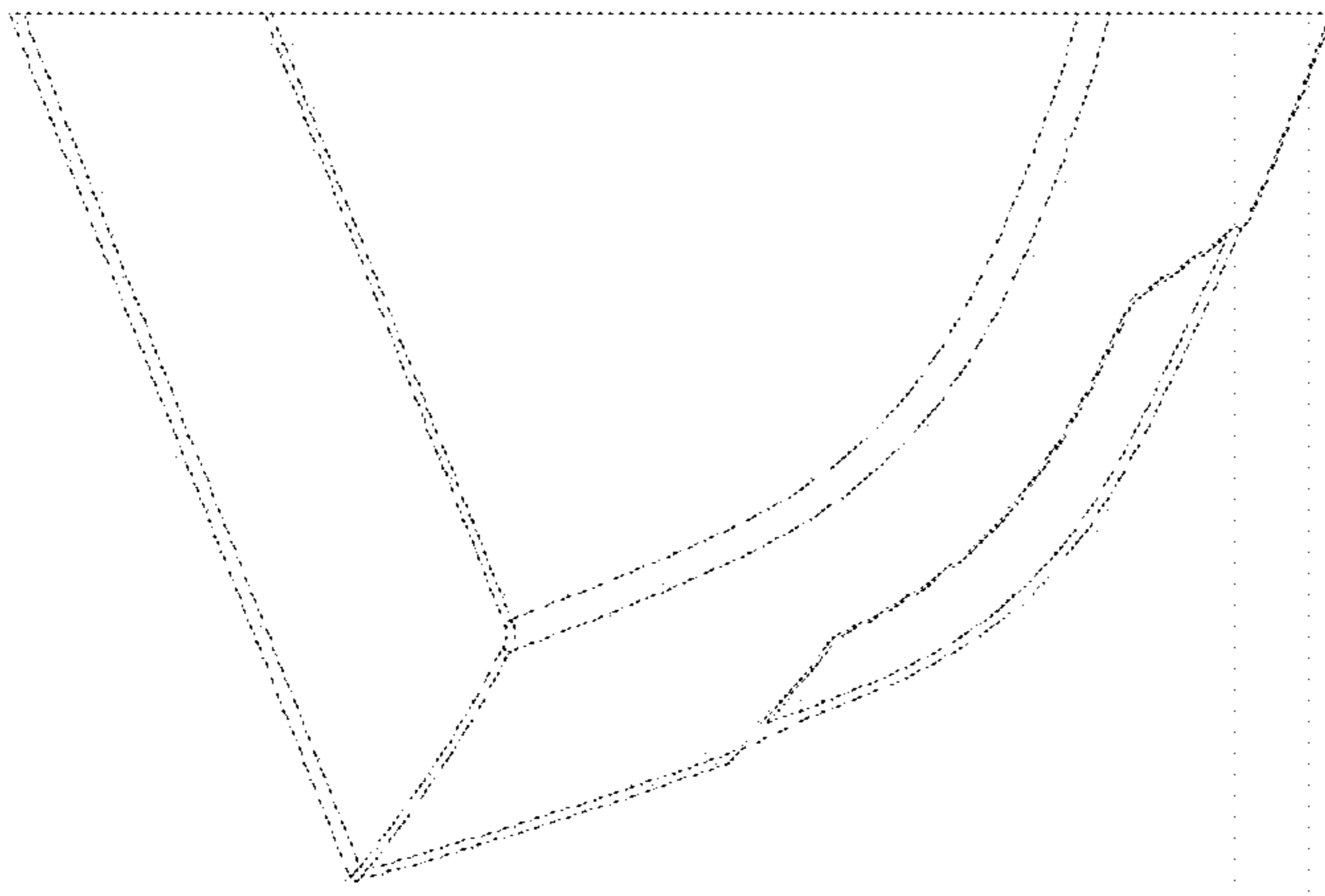


Fig. 3

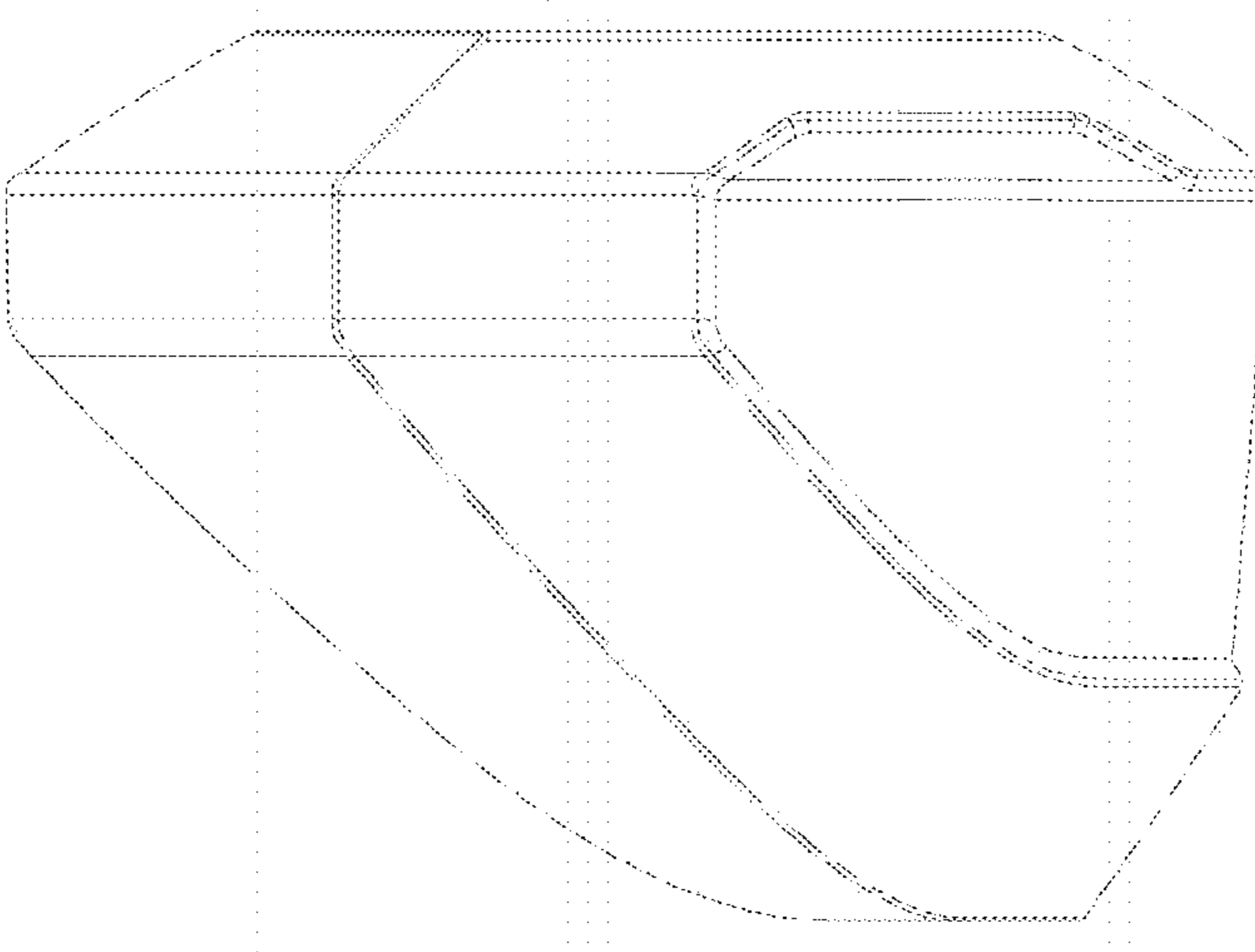


Fig. 4

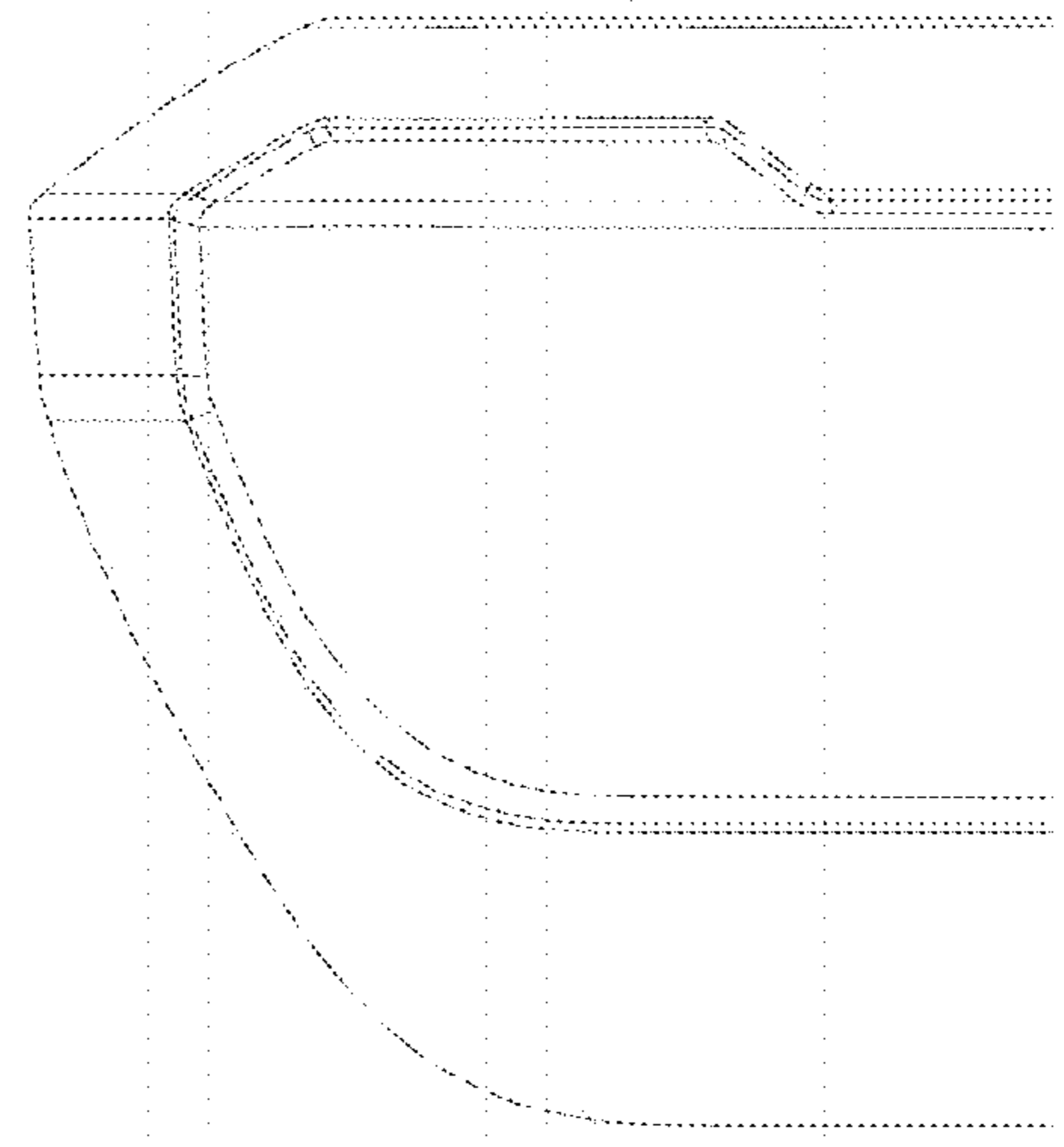


Fig. 5

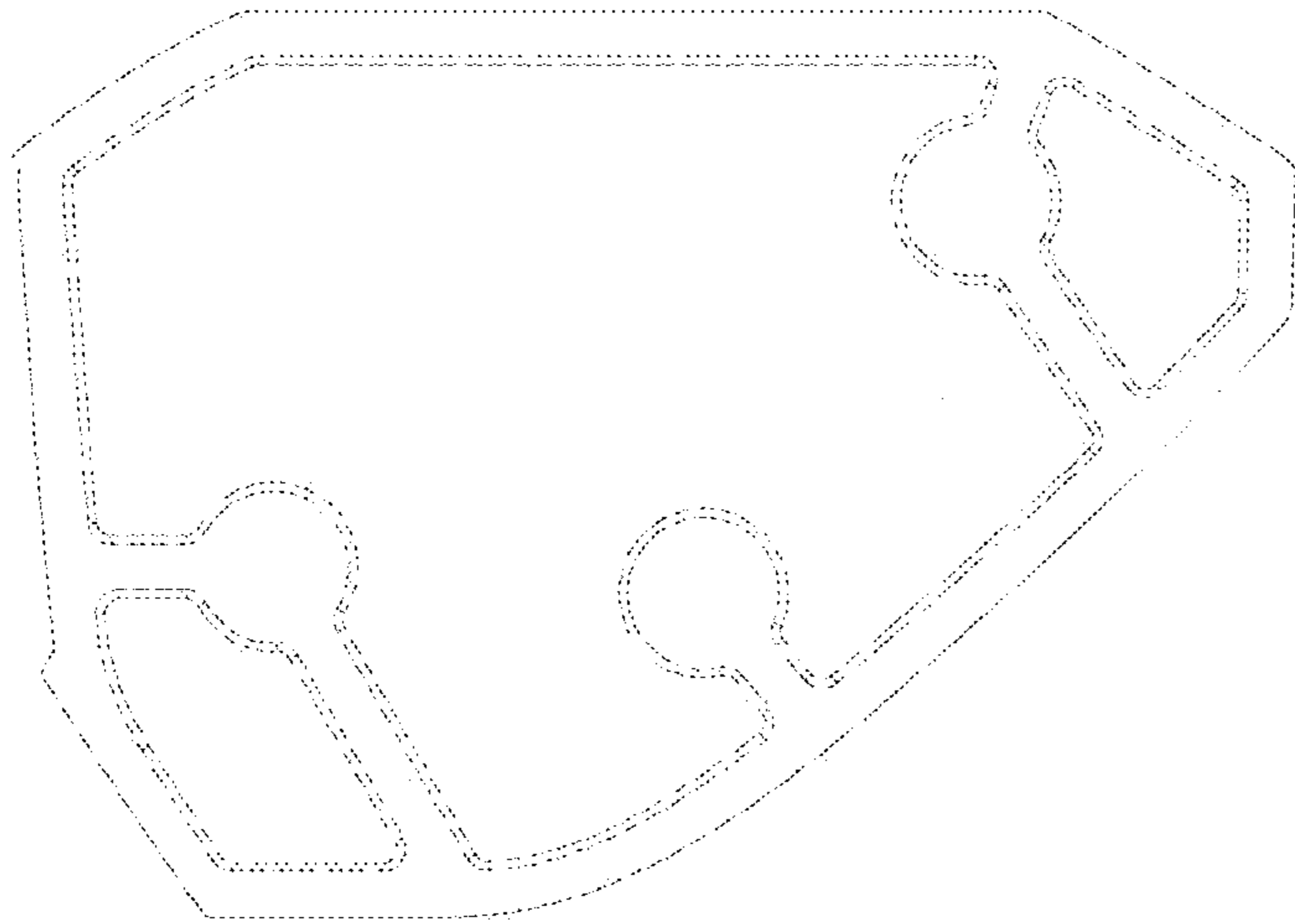


Fig. 6

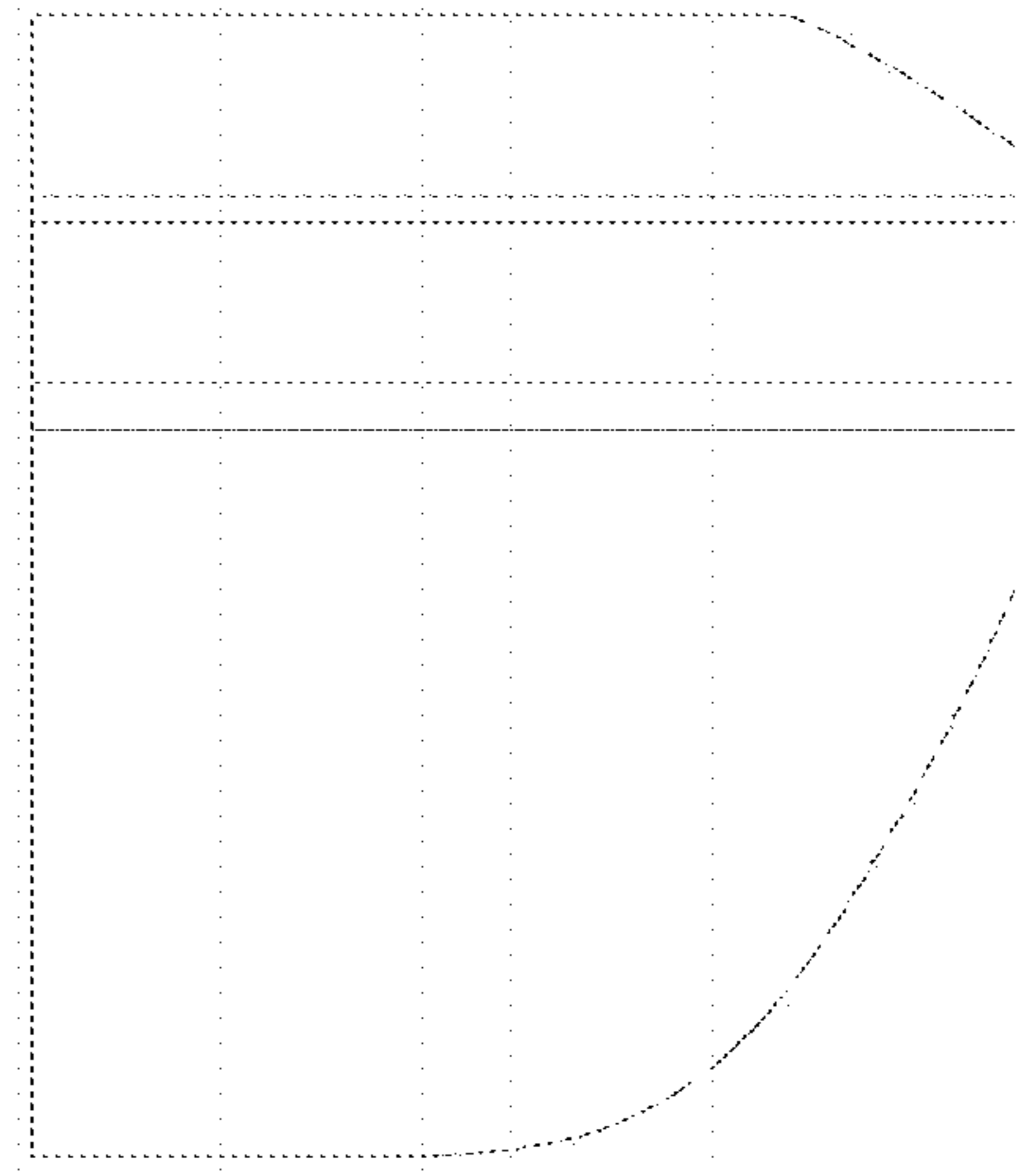


Fig. 7

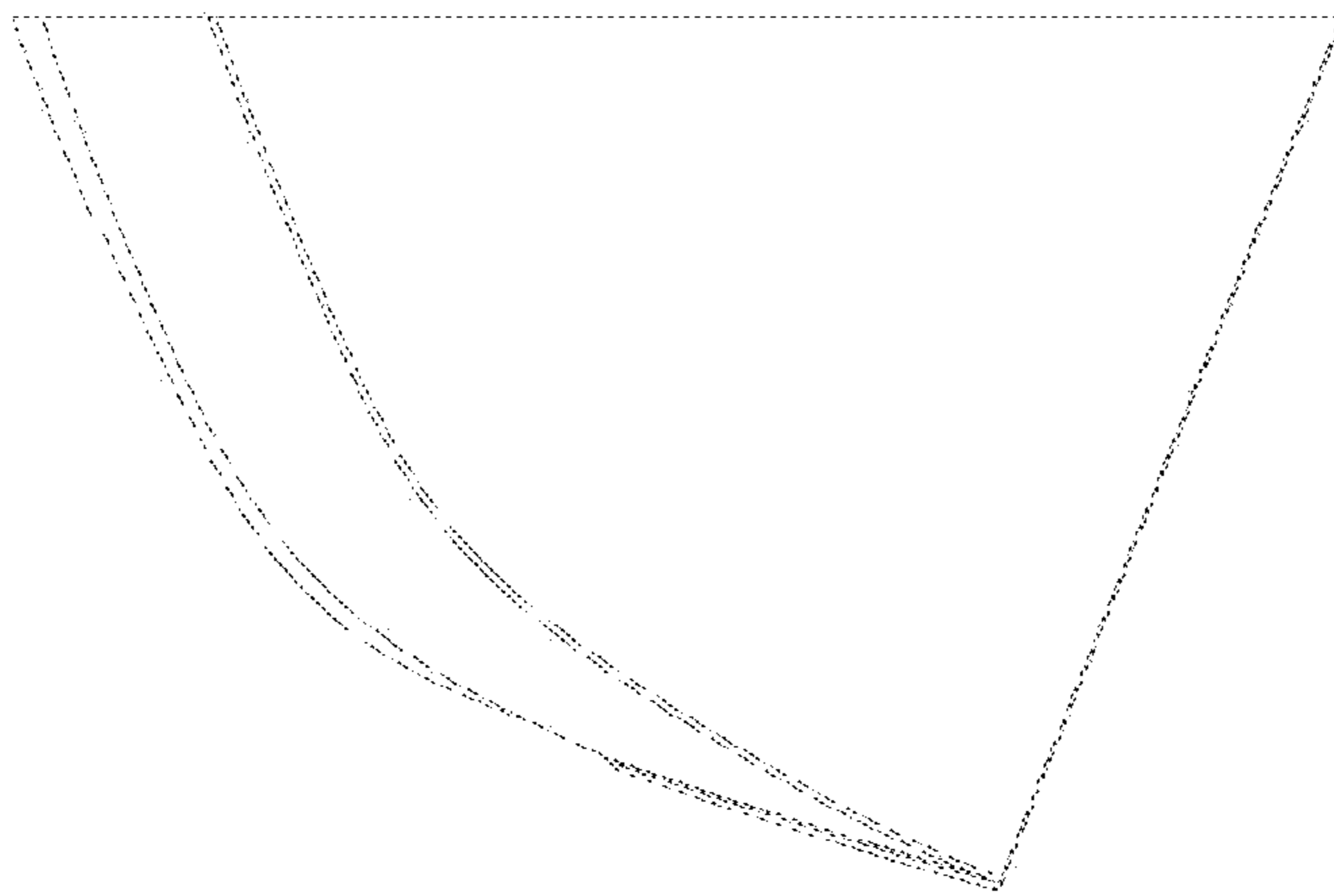


Fig. 8

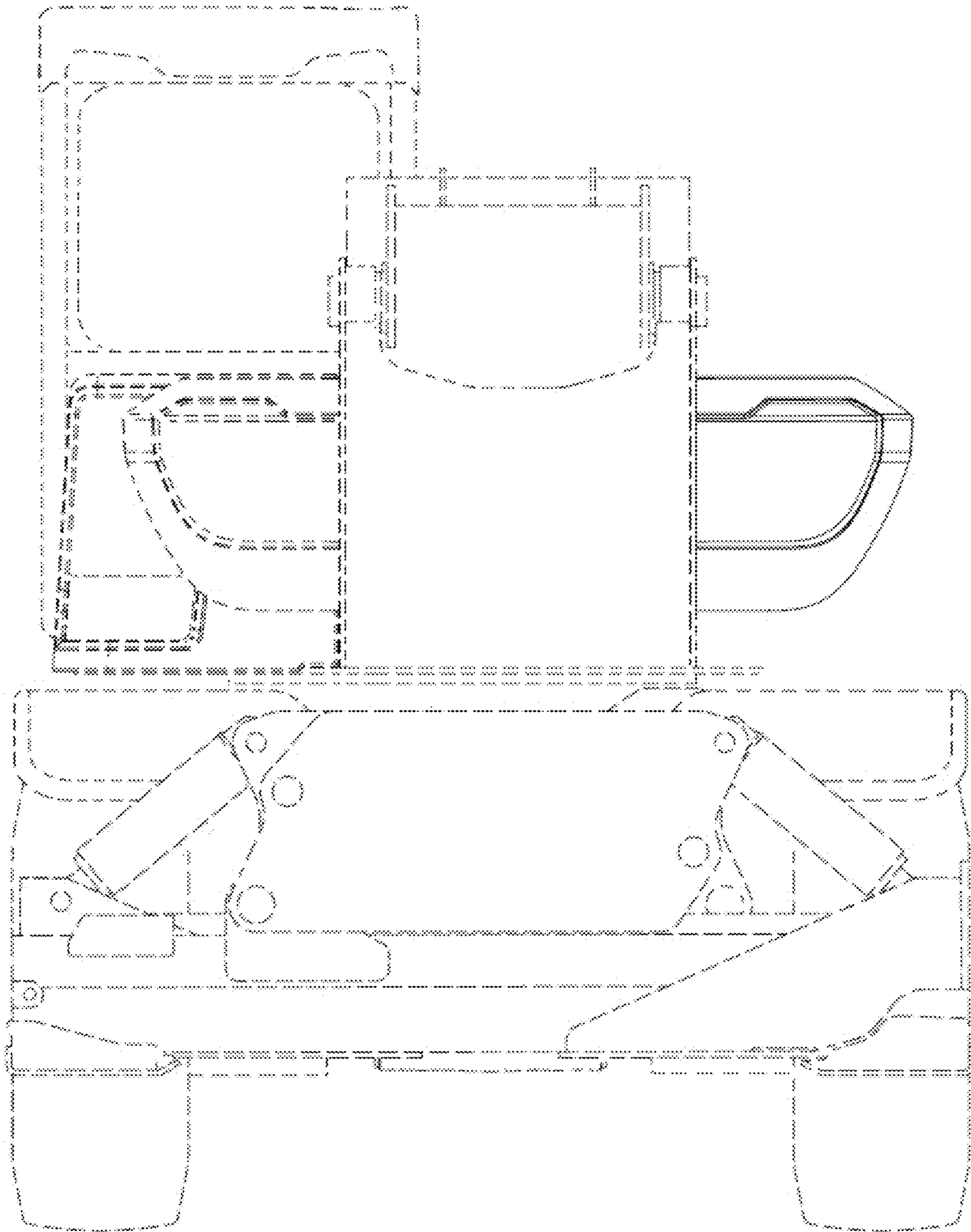


Fig. 9

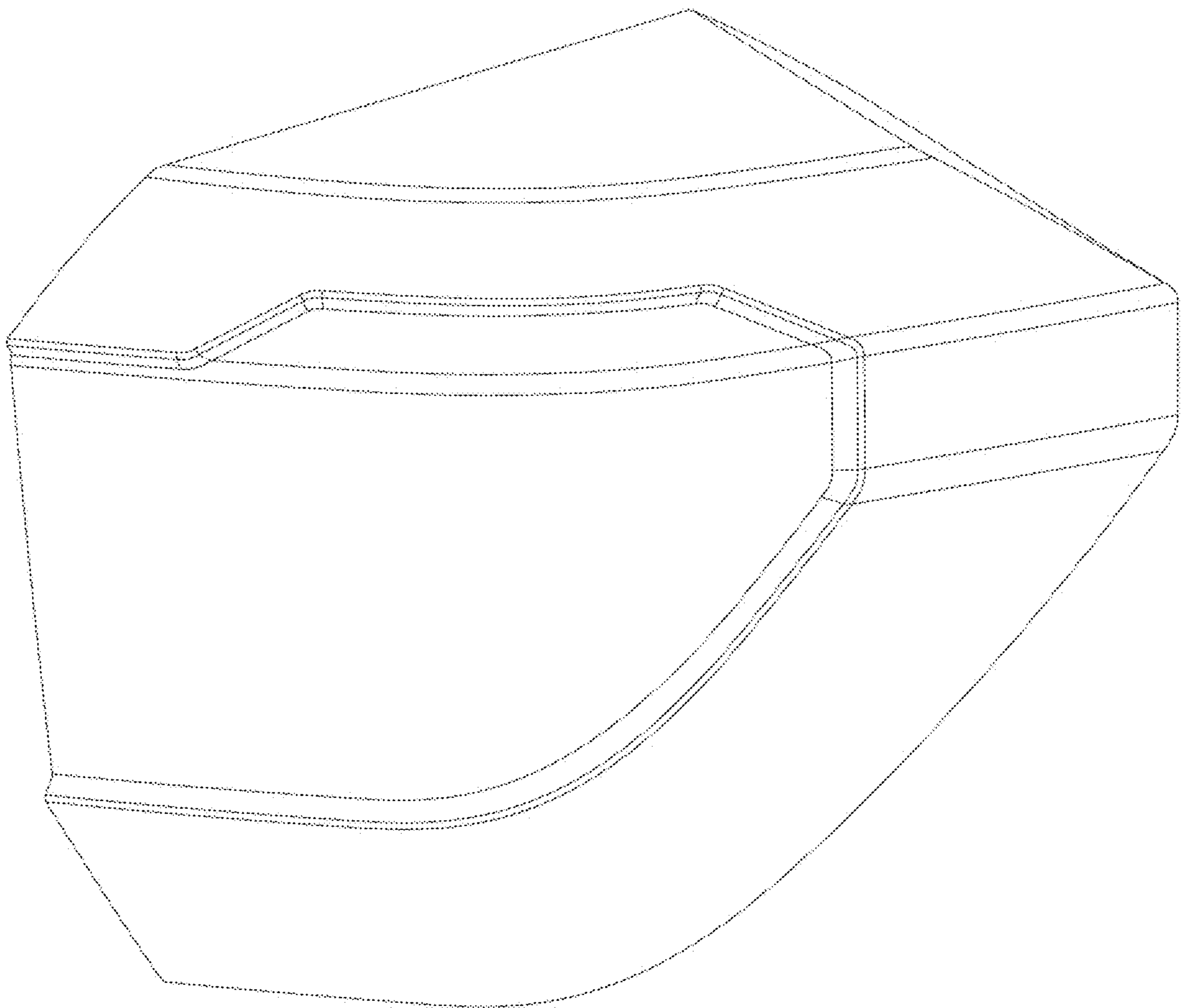


Fig. 10



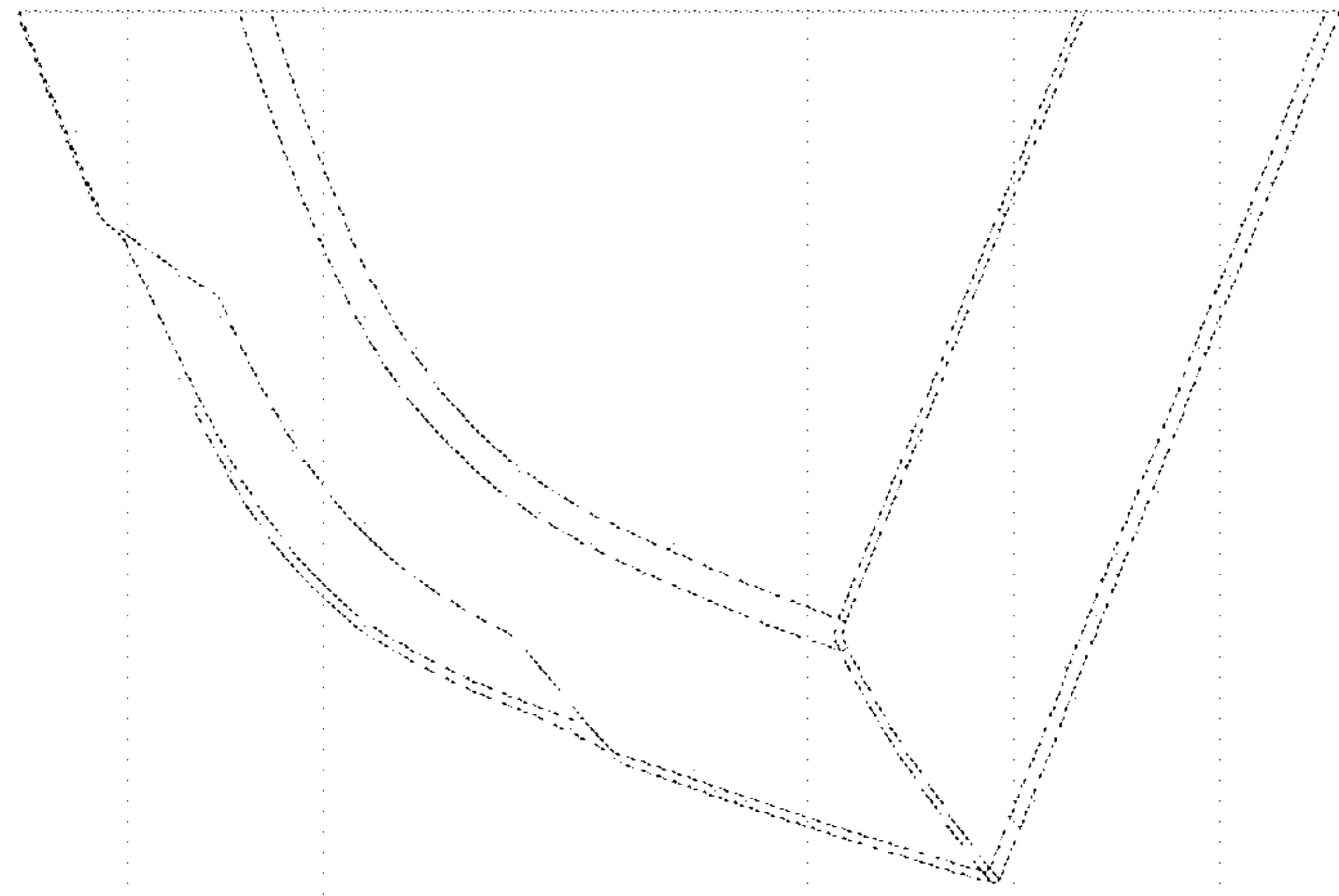


Fig. 11

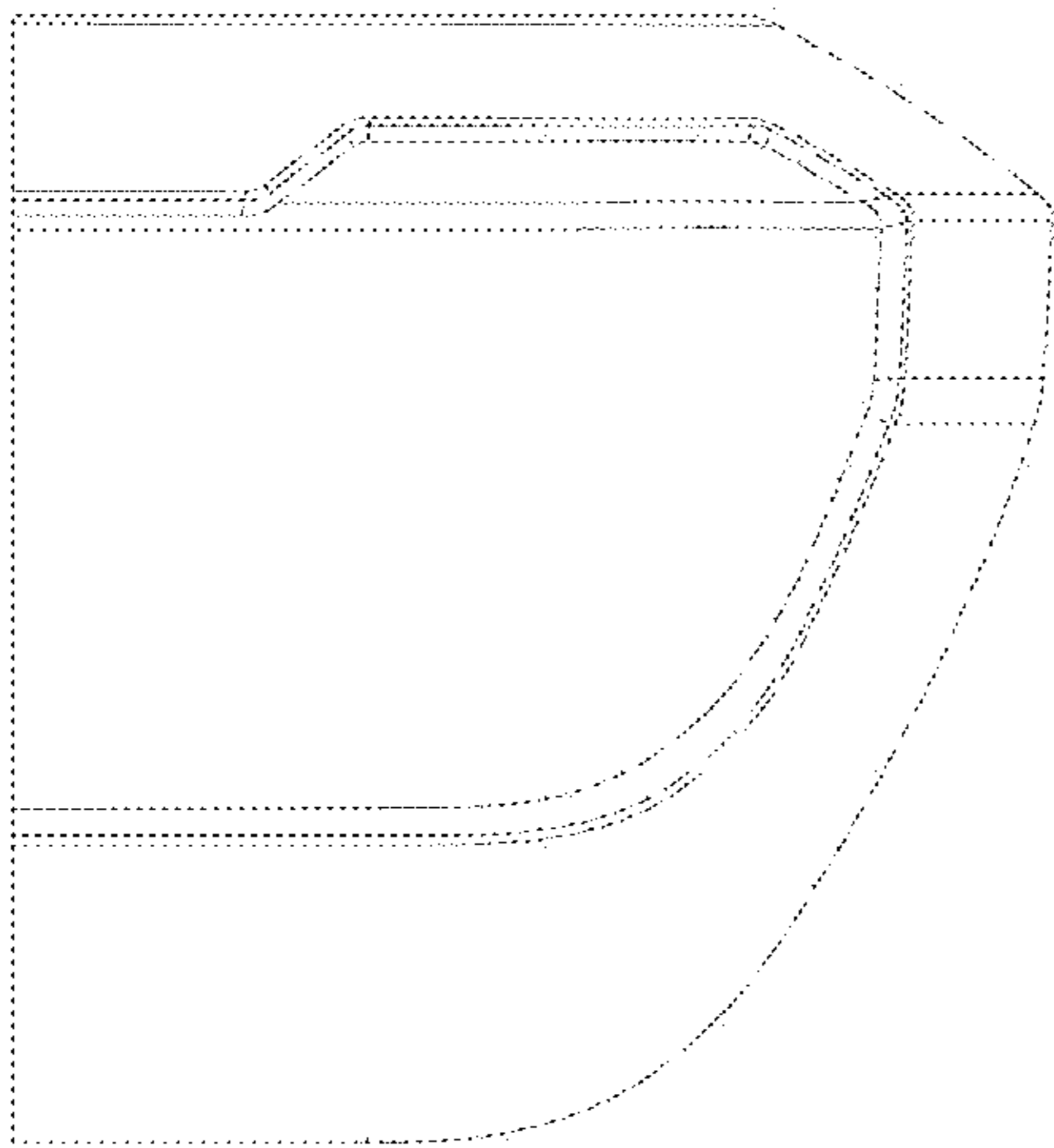


Fig. 12

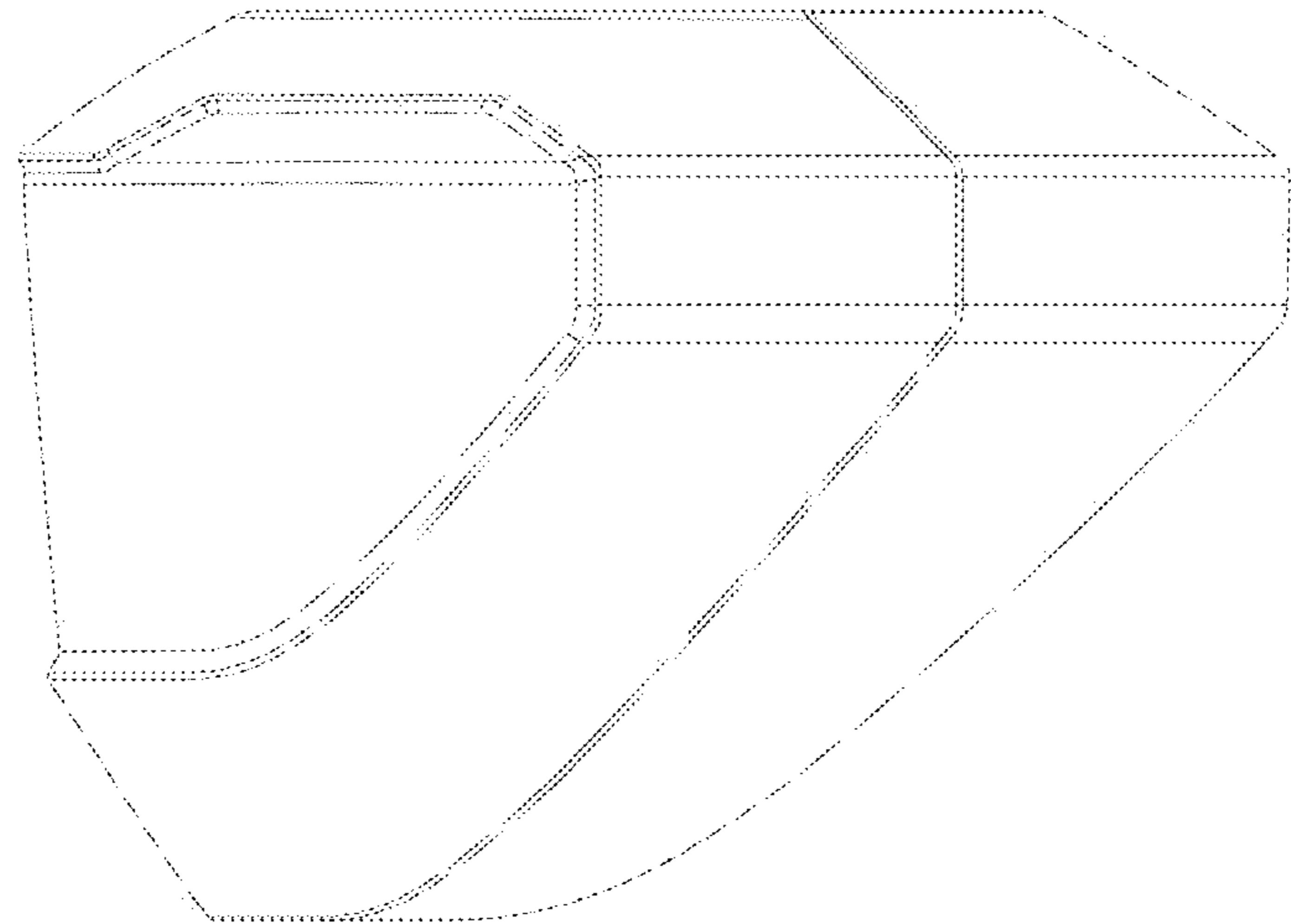


Fig. 13

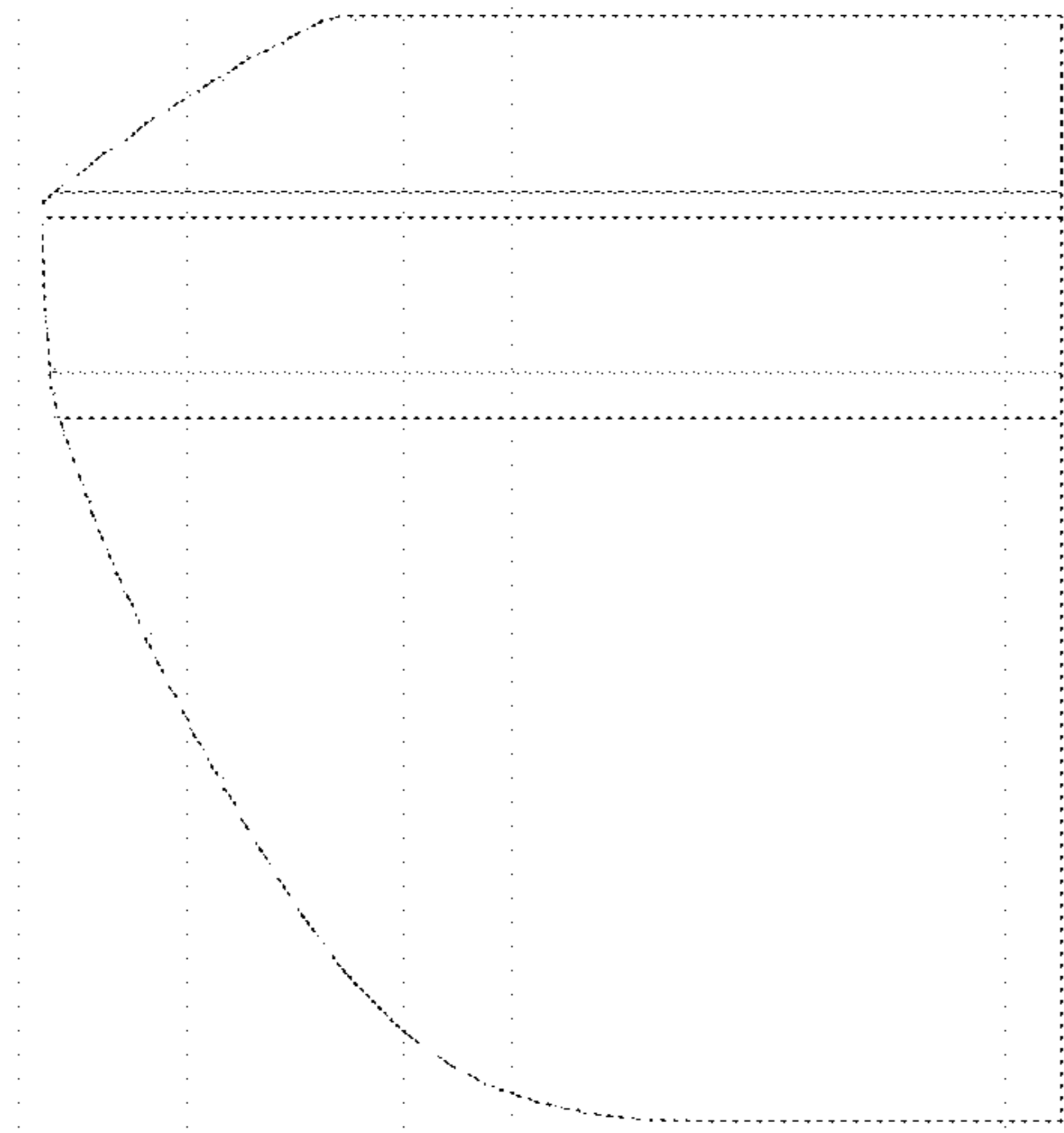


Fig. 14

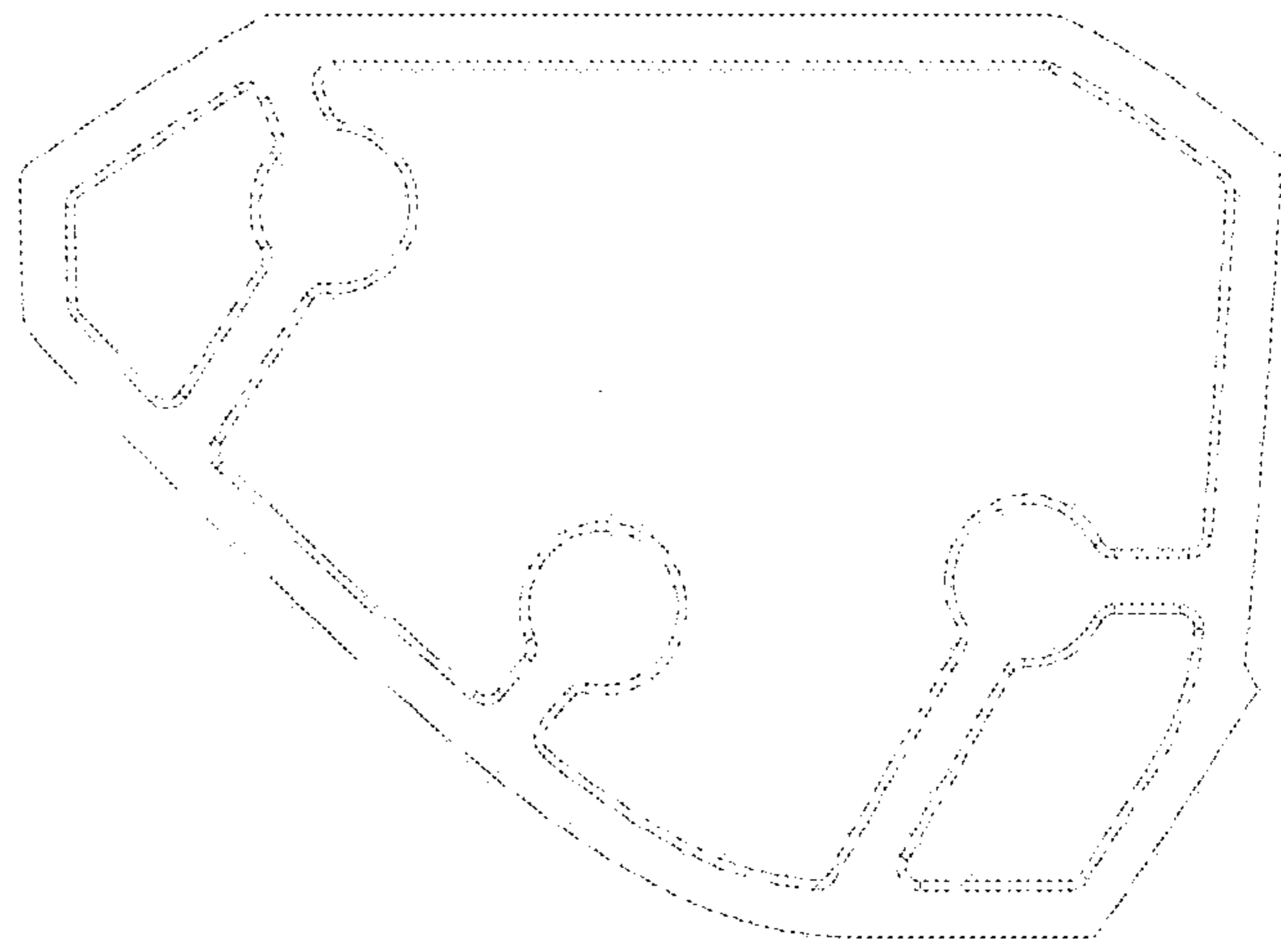


Fig. 15

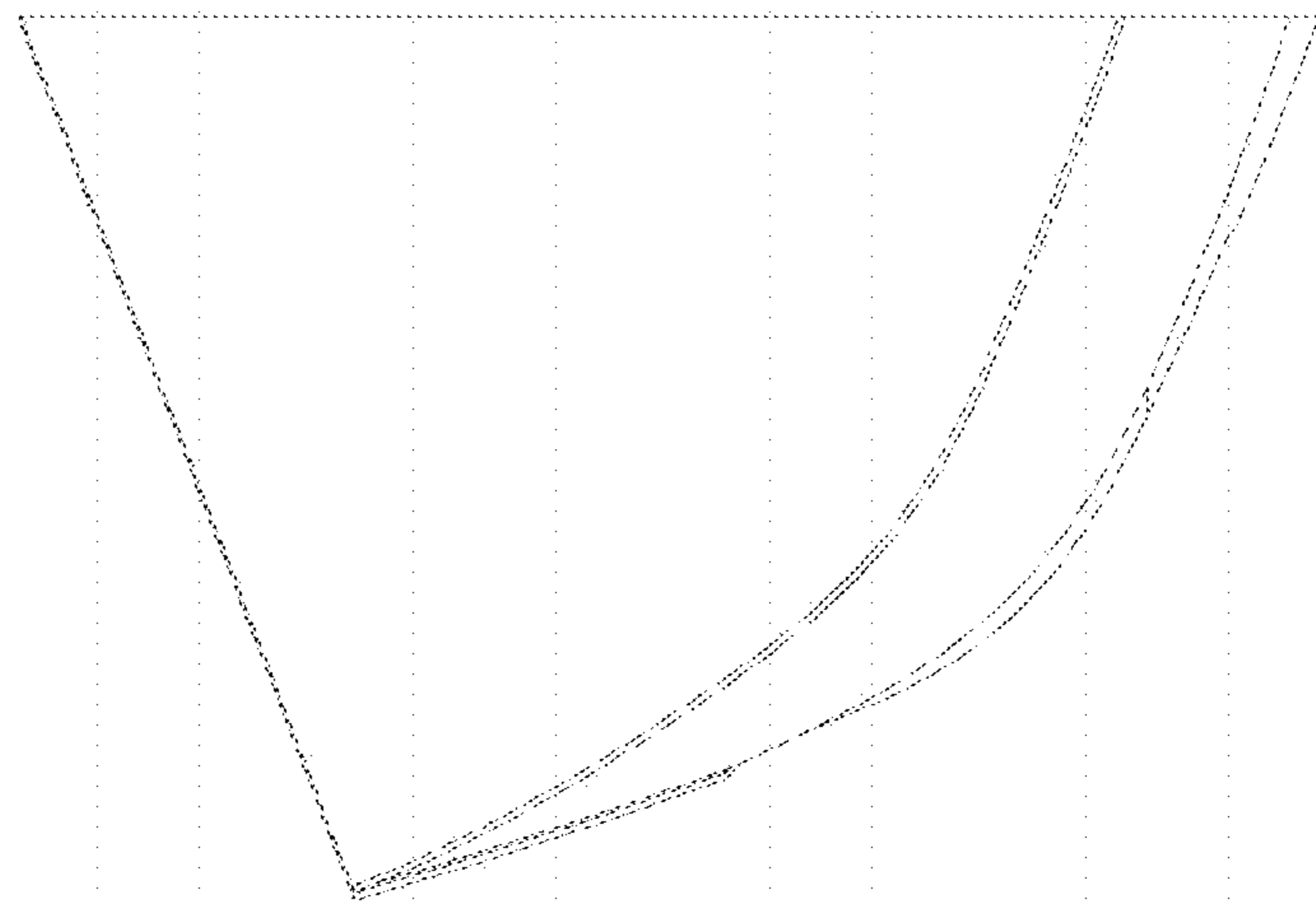


Fig. 16