



US00D903966S

(12) **United States Design Patent** (10) **Patent No.:** **US D903,966 S**
Li (45) **Date of Patent:** **** Dec. 1, 2020**

- (54) **BAR CART WITH STEMWARE HOLDER AND WINE RACK**
- (71) Applicant: **XIAMEN GOLDEN HUANAN IMP. & EXP. CO., LTD.**, Xiamen (CN)
- (72) Inventor: **Jinjiang Li**, Xiamen (CN)
- (**) Term: **15 Years**
- (21) Appl. No.: **29/693,791**
- (22) Filed: **Jun. 5, 2019**
- (51) **LOC (12) Cl.** **12-02**
- (52) **U.S. Cl.**
USPC **D34/14; D6/675.1**
- (58) **Field of Classification Search**
USPC D34/12-27; D6/678.1, 678.4, 675.1, D6/675.3, 657
CPC B62B 5/0438; B62B 3/002; B62B 3/007; B62B 3/1476; B62B 5/0083; B62B 5/0086; B62B 5/0089; B62B 5/0093; B62B 3/027; B62B 3/00; B62B 3/16
See application file for complete search history.

Amazon.com search Sep. 8, 2020, braxton studio bradford rustic industrial style antique textured metal distressed wood mobile kitchen bar; date first available Oct. 13, 2015, <https://www.amazon.com/Baxton-Studio-Bradford-Industrial-Distressed> (Year: 2015).*
 Google search, Newegg.com, Jun. 25, 2020, Industrial Bar Cart wine rack, <https://www.newegg.com/p/1C1-00JK-00046#> (Year: 2020).*
 AliExpress.com, Sep. 8, 2020, Industrial wine rack cart kitchen rolling storage bar, <https://www.aliexpress.com/item/4001338272442.html> (Year: 2020).*
 Bed bath and beyond, Sep. 9, 2019, Linon Home Decor Products Austin Wine Cart, <https://www.bedbathandbeyond.com/store/product/linon-home-d-eacute-cor-products-austin-wine-cart-in-black/5239868> (Year: 2020).*

* cited by examiner

Primary Examiner — Cynthia Ramirez
(74) *Attorney, Agent, or Firm* — Erson IP (Nelson IP)

(57) **CLAIM**

The ornamental design for a bar cart with stemware holder and wine rack, as shown and described.

(56) **References Cited**

U.S. PATENT DOCUMENTS

D88,880 S *	1/1933	Levenson	D34/19
D110,996 S *	8/1938	Ferris	D34/18
D301,790 S *	6/1989	Ivano	D34/17
D363,590 S *	10/1995	Kazmerchek	D34/17
D396,925 S *	8/1998	Kessler	D34/27
D636,550 S *	4/2011	Molayem	D34/21
D747,911 S *	1/2016	Sheppard	D7/339
D750,861 S *	3/2016	Alletto, Jr.	D34/21
D858,151 S *	9/2019	Li	D6/675.1
D878,700 S *	3/2020	Dardashti	D34/14

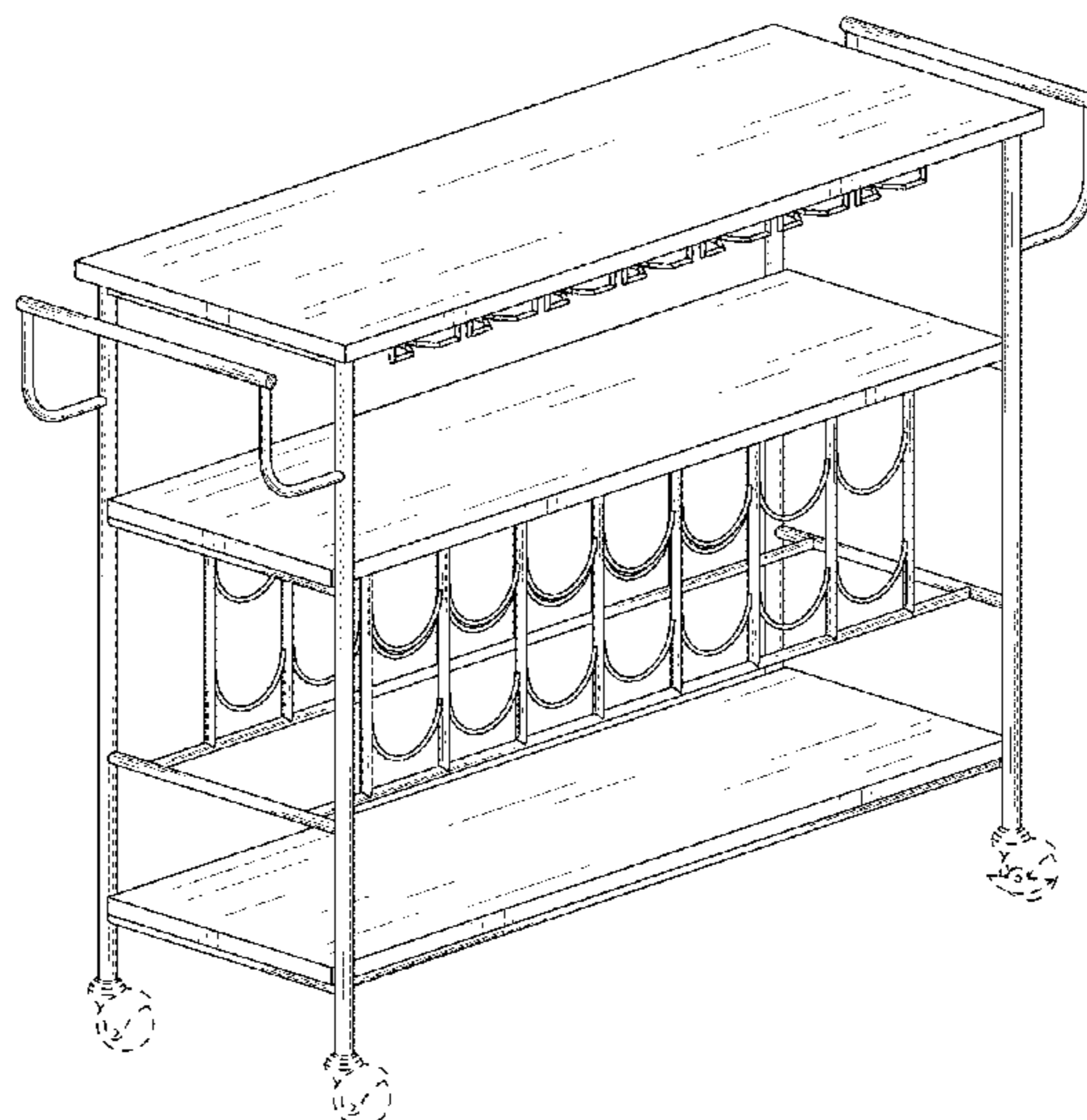
OTHER PUBLICATIONS

Amazon.com search Sep. 8, 2020, South shore munich bar cart, <https://www.amazon.com/South-Shore-12069-Munich-Weathered/dp/B07FNGGFRL> (Year: 2020).*

DESCRIPTION

FIG. 1 is a perspective view of a bar cart with stemware holder and wine rack showing my new design;
 FIG. 2 is a front view thereof;
 FIG. 3 is a rear view thereof;
 FIG. 4 is a left side view thereof;
 FIG. 5 is a right side view thereof;
 FIG. 6 is a top plan view thereof; and,
 FIG. 7 is a bottom plan, view thereof.
 The broken lines are for the purposes of illustrating portions of the bar cart with stemware holder and wine rack and form no part of the claimed design.

1 Claim, 7 Drawing Sheets



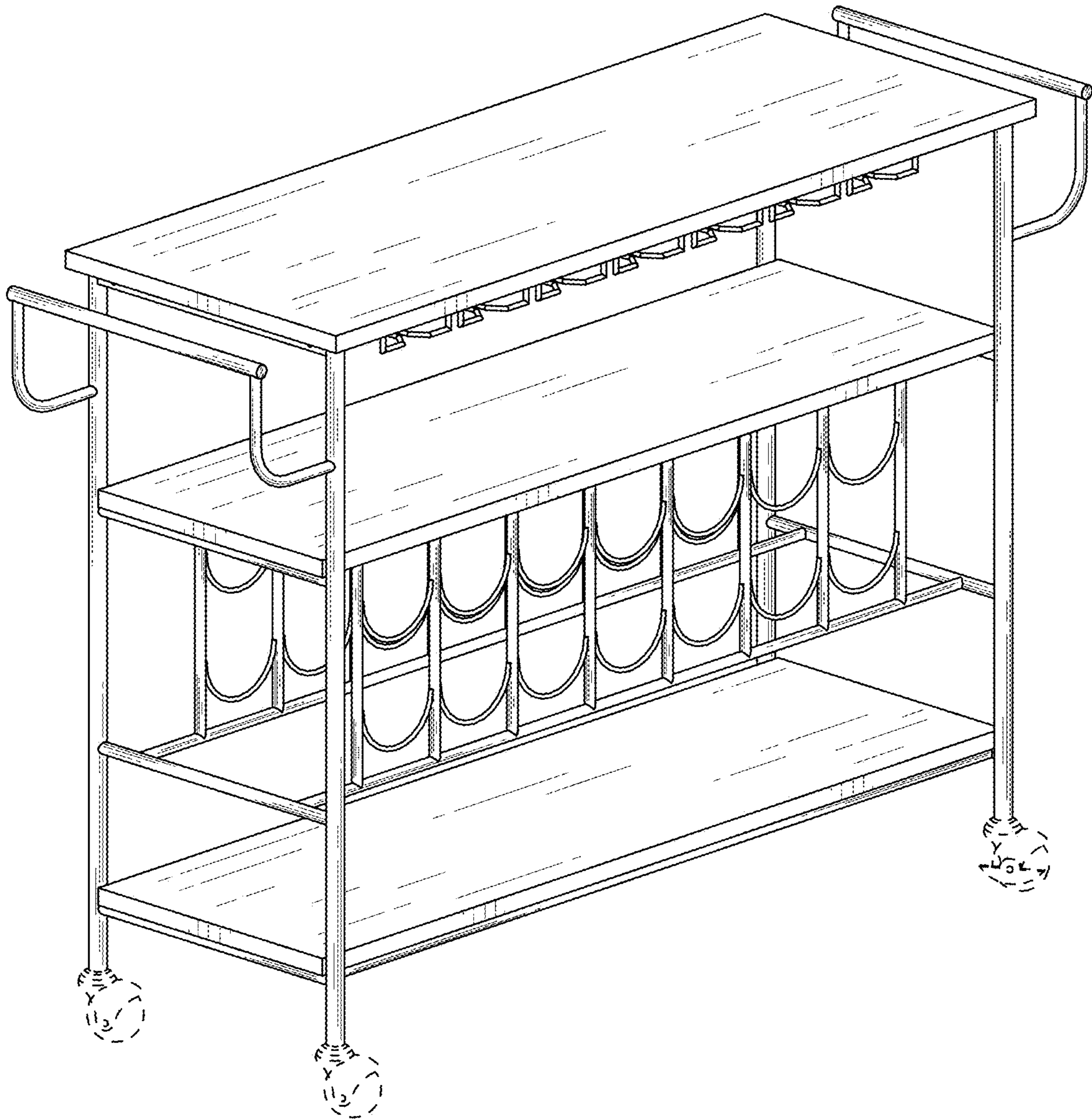


FIG. 1

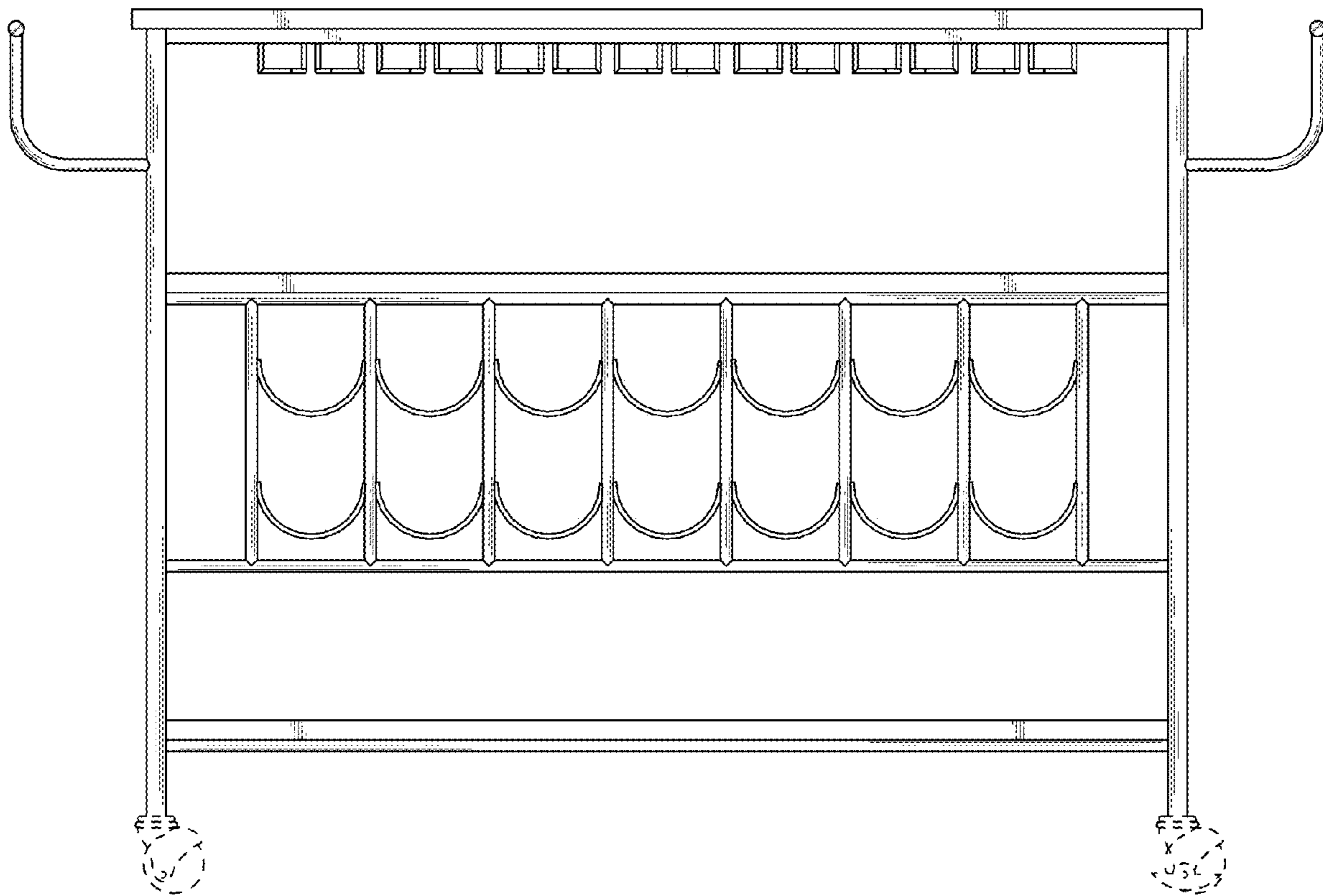


FIG. 2

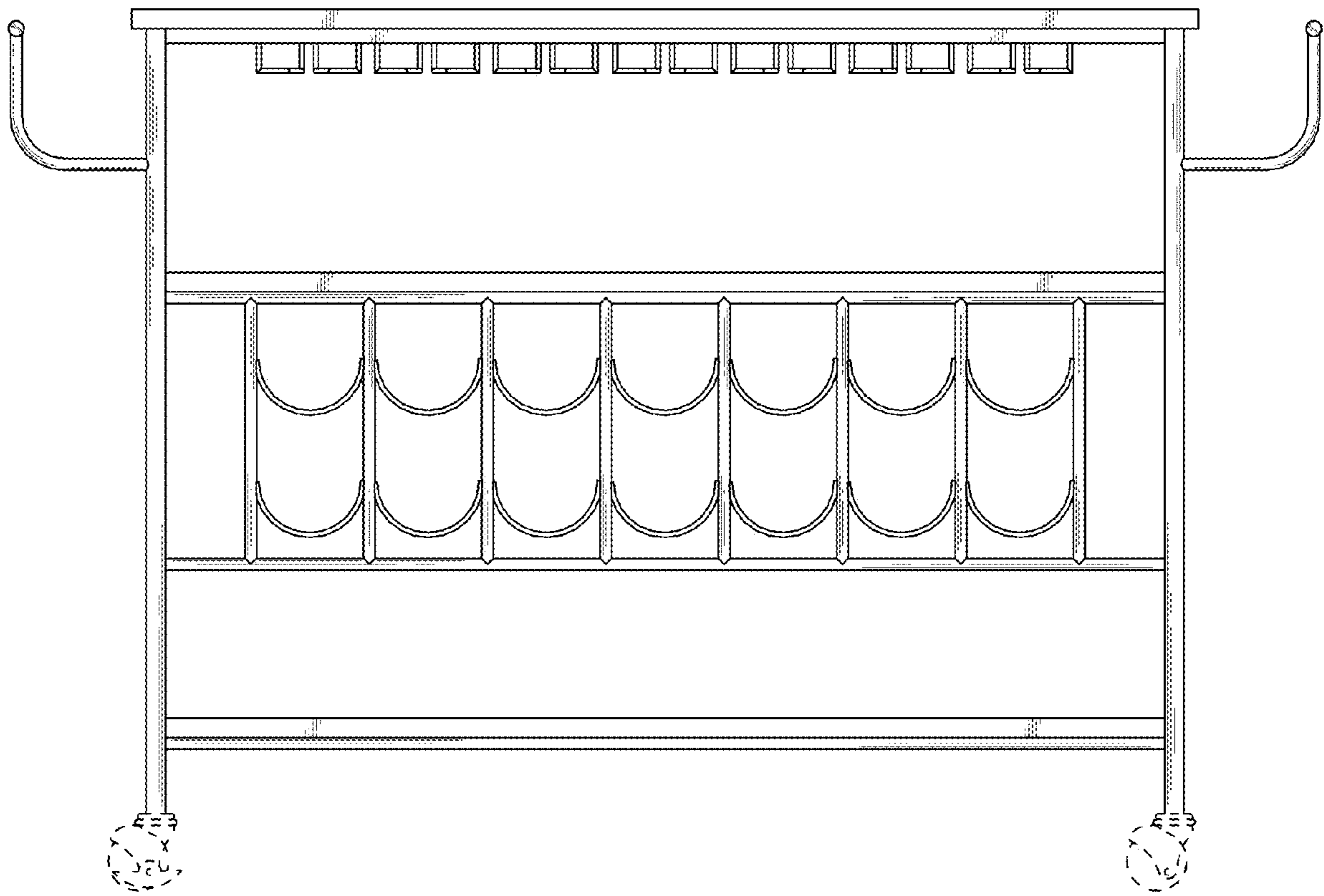


FIG. 3

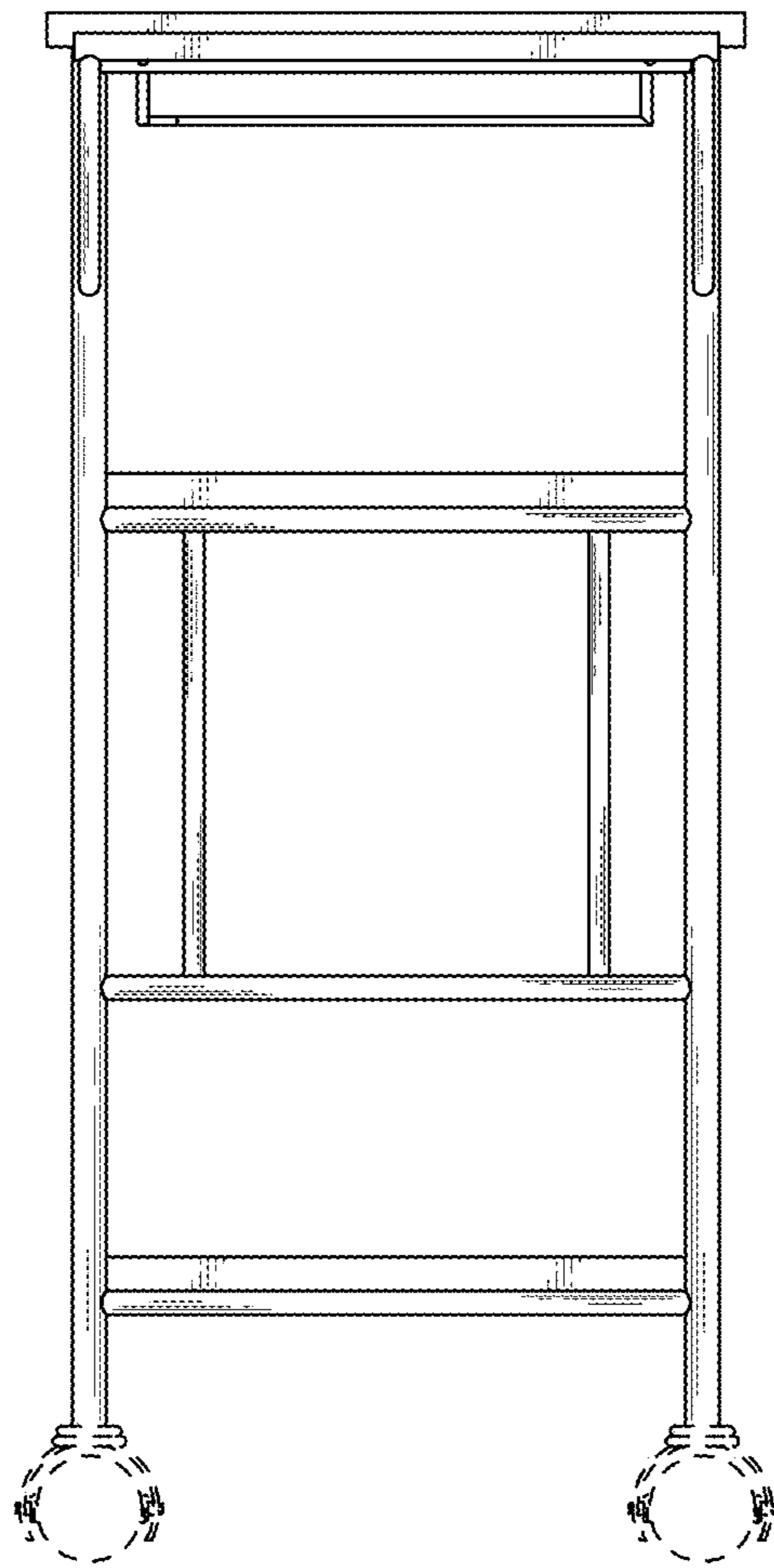


FIG. 4

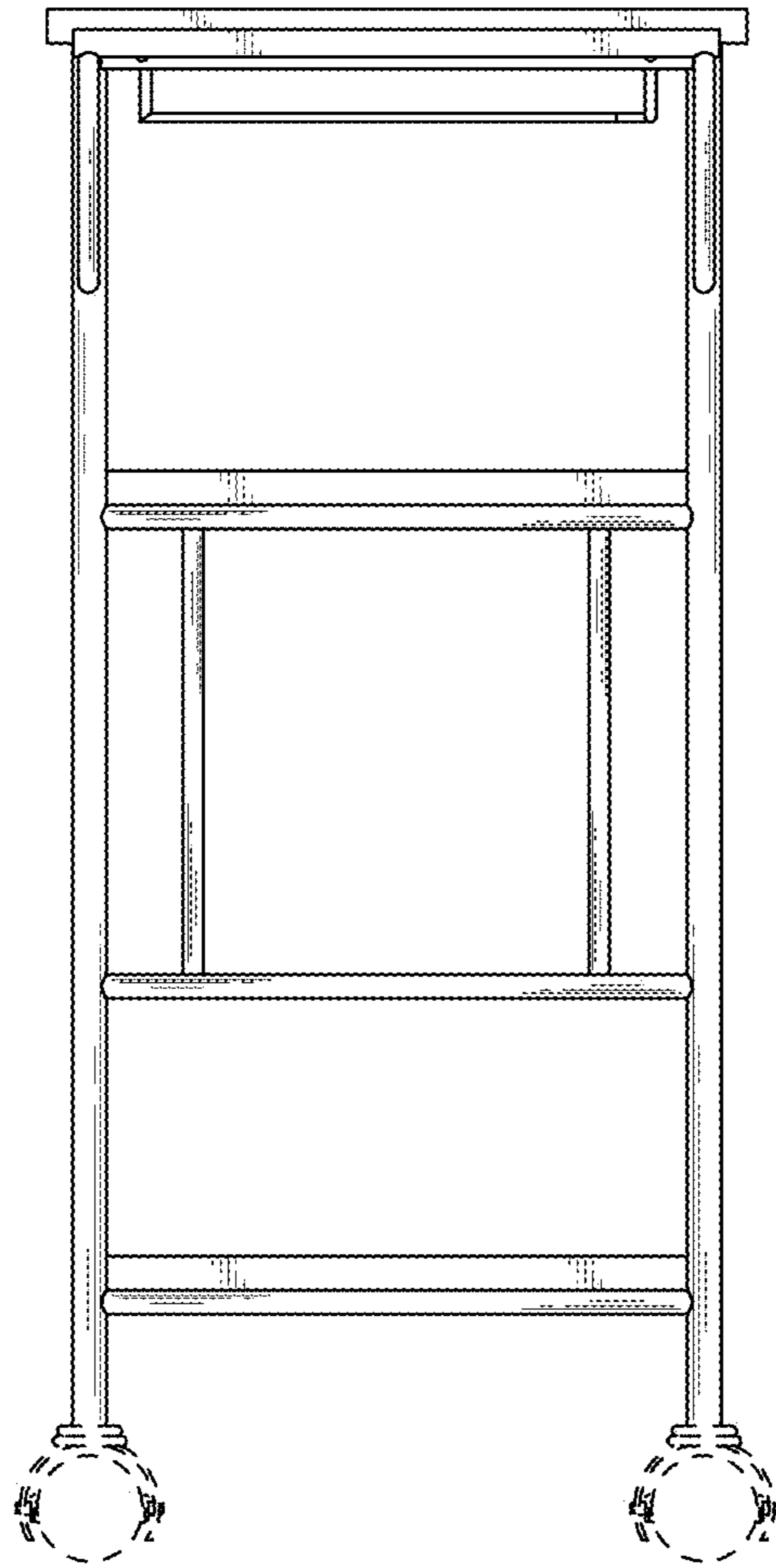


FIG. 5

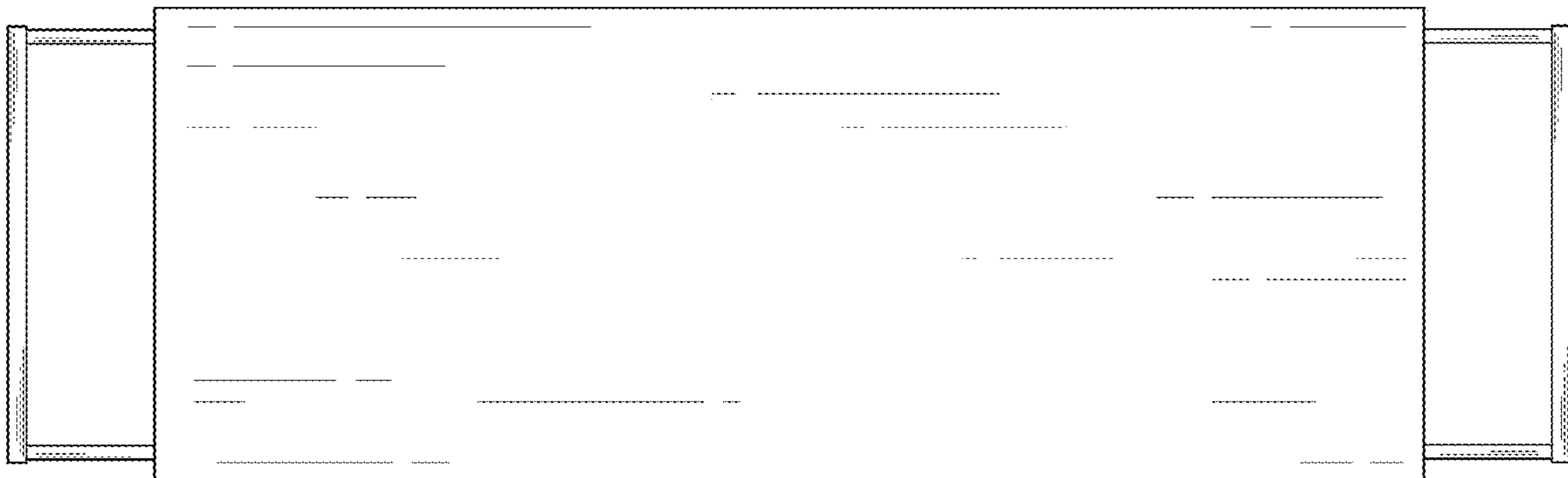


FIG. 6

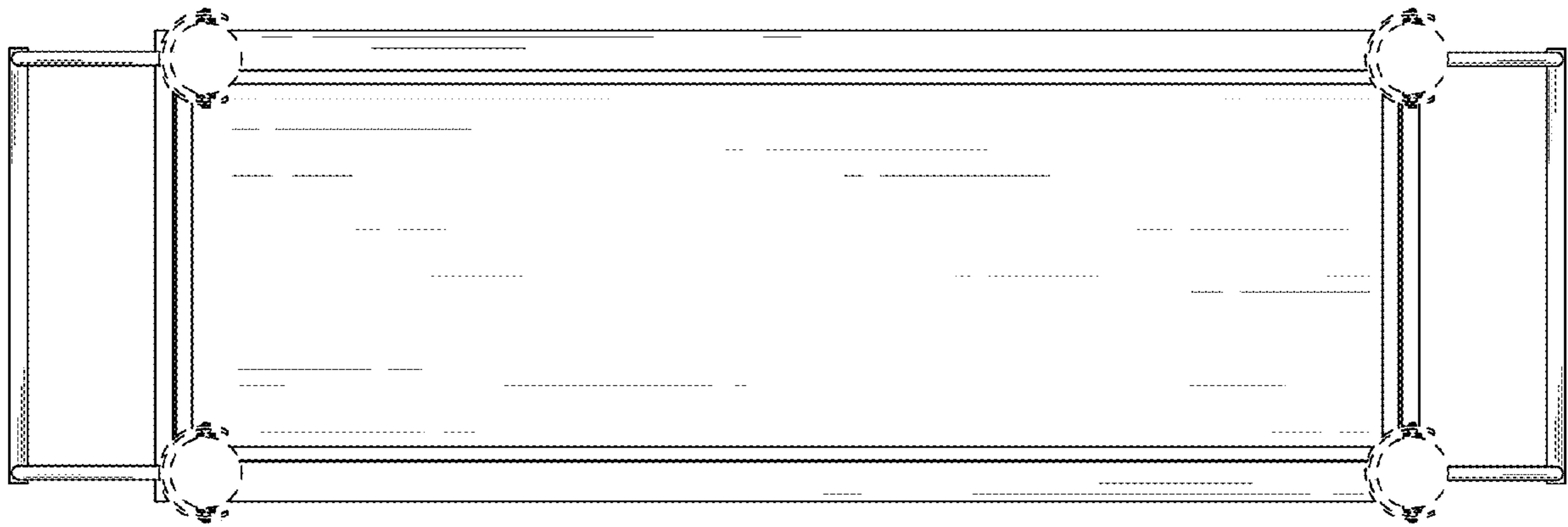


FIG. 7