



US00D903965S

(12) **United States Design Patent** (10) **Patent No.:** **US D903,965 S**
Bentley (45) **Date of Patent:** **** Dec. 1, 2020**

(54) **THREE-POINT HITCH MOUNTED DUMP CART**

(71) Applicant: **Earth & Turf Products, LLC**, New Holland, PA (US)

(72) Inventor: **John A. Bentley**, Manheim, PA (US)

(73) Assignee: **Earth & Turf Products, LLC**, New Holland, PA (US)

(**) Term: **15 Years**

(21) Appl. No.: **29/644,751**

(22) Filed: **Apr. 20, 2018**

(51) **LOC (12) Cl.** **12-20**

(52) **U.S. Cl.**
USPC **D34/12**

(58) **Field of Classification Search**
USPC D34/12, 13, 14, 15, 16, 17, 18, 19, 20,
D34/23, 24, 25, 26, 27, 28, 33, 34
CPC B60P 1/00
See application file for complete search history.

(56) **References Cited**

U.S. PATENT DOCUMENTS

1,852,618	A *	4/1932	Le Tourneau	B60P 1/14 298/5
2,217,871	A *	10/1940	Lindgren	B62B 1/24 298/17 SG
2,436,443	A *	2/1948	Meisenhelder	B60P 1/06 298/20 R
2,693,389	A *	11/1954	Maxwell	B62B 1/24 298/2
2,846,266	A *	8/1958	Stott	B60P 1/12 298/19 V
2,867,474	A *	1/1959	Linn	B62D 53/0864 298/5
4,417,765	A *	11/1983	Wirsbinski	B62D 63/062 280/47.26
6,318,808	B1 *	11/2001	Shayne	B60P 1/24 298/1 A
7,114,784	B1 *	10/2006	Blumenstein	B60P 1/14 298/1 A

D691,518	S *	10/2013	Monia	D12/101
D868,843	S *	12/2019	Descoteaux	D15/17
2002/0110442	A1 *	8/2002	Hurlburt	B62D 63/061 414/482
2005/0135908	A1 *	6/2005	Eidsmore	B60P 1/6454 414/480

(Continued)

OTHER PUBLICATIONS

Hydraulic dump box, announced 2020 [online], [site visited Mar. 5, 2020]. Available from internet, URL: t https://www.palletforks.com/3-point/landscaping/category-1-3-pt.-hitch-hydraulic-dump-box-10-cu.-ft./191437.html?lang=default&utm_source=google&utm_medium=cpc&adpos=&scid=scplp191437&sc_intid=191437&glid=EA.*

(Continued)

Primary Examiner — George A Bugg
Assistant Examiner — Tamara L Hahn
(74) *Attorney, Agent, or Firm* — Miller Law Group, PLLC

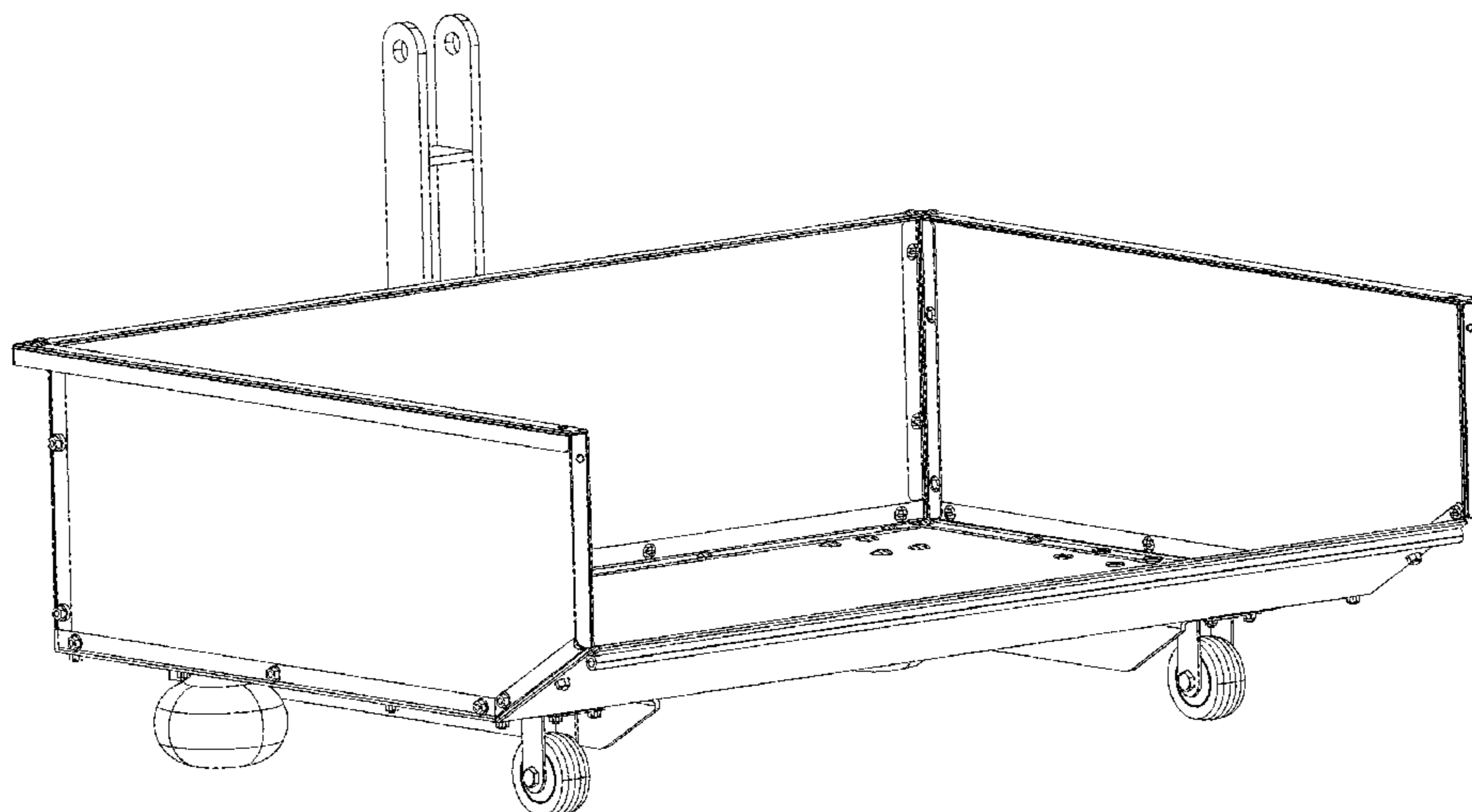
(57) **CLAIM**

The ornamental design for a three-point hitch mounted dump cart, as shown and described.

DESCRIPTION

FIG. 1 is a right, front perspective view of the three-point hitch dump cart, containing the principles of the instant invention;
FIG. 2 is affront elevational view of the three-point hitch mounted dump cart shown in FIG. 1;
FIG. 3 is a top plan view thereof;
FIG. 4 is a right side elevational view thereof, the pivotal movement of the dump box being shown in dashed lines, the left side elevational view of the three-point hitch mounted dump cart being a mirror image;
FIG. 5 is a rear elevational view thereof;
FIG. 6 is a bottom plan view thereof; and,
FIG. 7 is a lower, right, rear perspective view thereof.

1 Claim, 7 Drawing Sheets



(56)

References Cited

U.S. PATENT DOCUMENTS

2005/0200190 A1* 9/2005 Nye, Jr. B60P 1/12
298/5
2012/0321421 A1* 12/2012 Lavoie B60P 1/40
414/477
2013/0193742 A1* 8/2013 Eidsmore B60P 1/28
298/12
2014/0001817 A1* 1/2014 Dechant B60P 1/16
298/5
2014/0234060 A1* 8/2014 Penner B60P 1/16
414/477
2017/0072976 A1* 3/2017 Dechant B62B 1/20
2019/0106279 A1* 4/2019 Heard B65F 3/26

OTHER PUBLICATIONS

Hitch mounted dump cart, announced 2016 [online], [site visited Mar. 5, 2020]. Available from internet, URL: <https://earthandturfattachments.com/3-point-dump-cart/>.*

Hitch mounted dump box, announced 2020 [online], [site visited Mar. 5, 2020]. Available from internet, URL: <https://www.mkmartin.ca/products/dumpBox.php>.*

* cited by examiner

Fig. 1

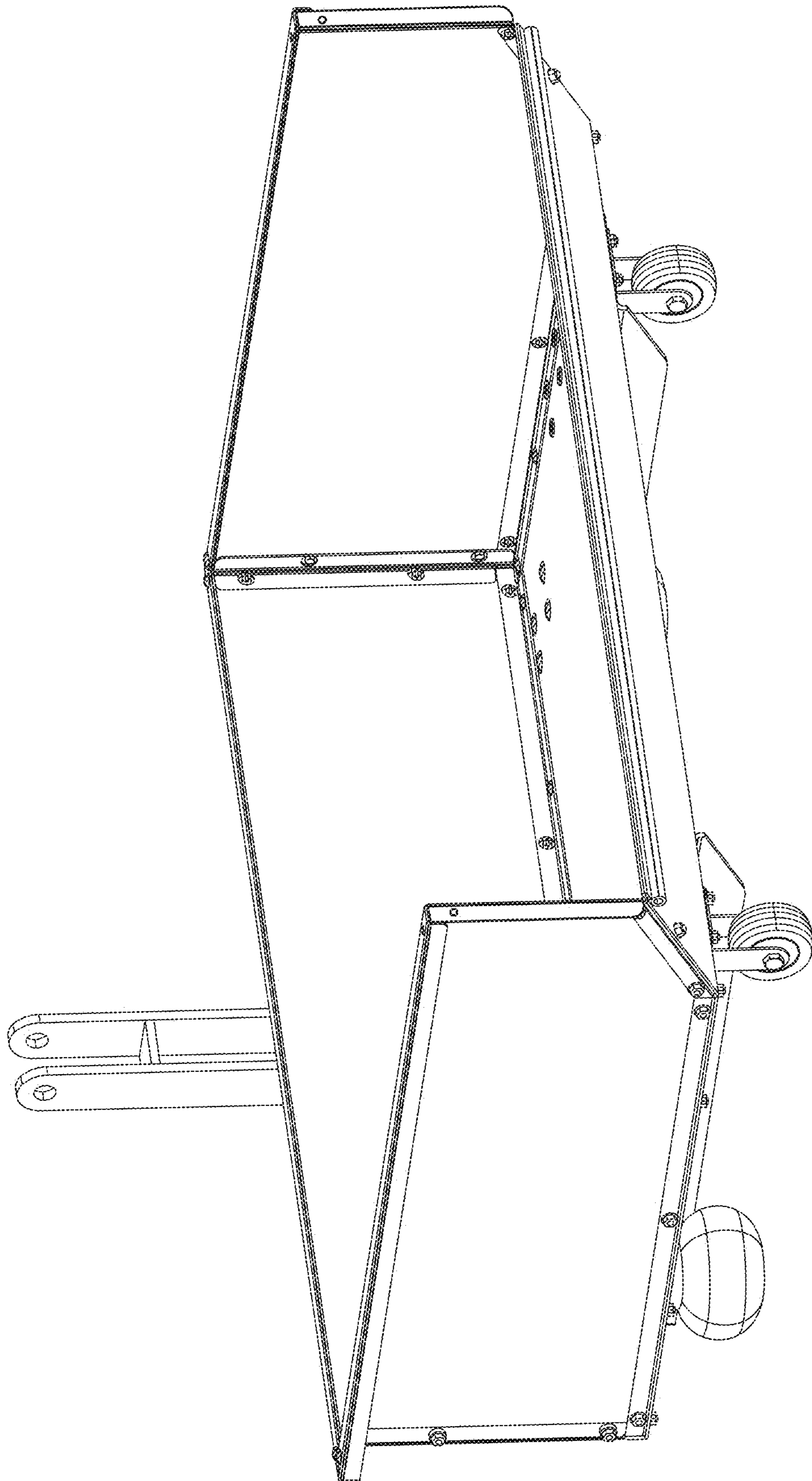


Fig. 2

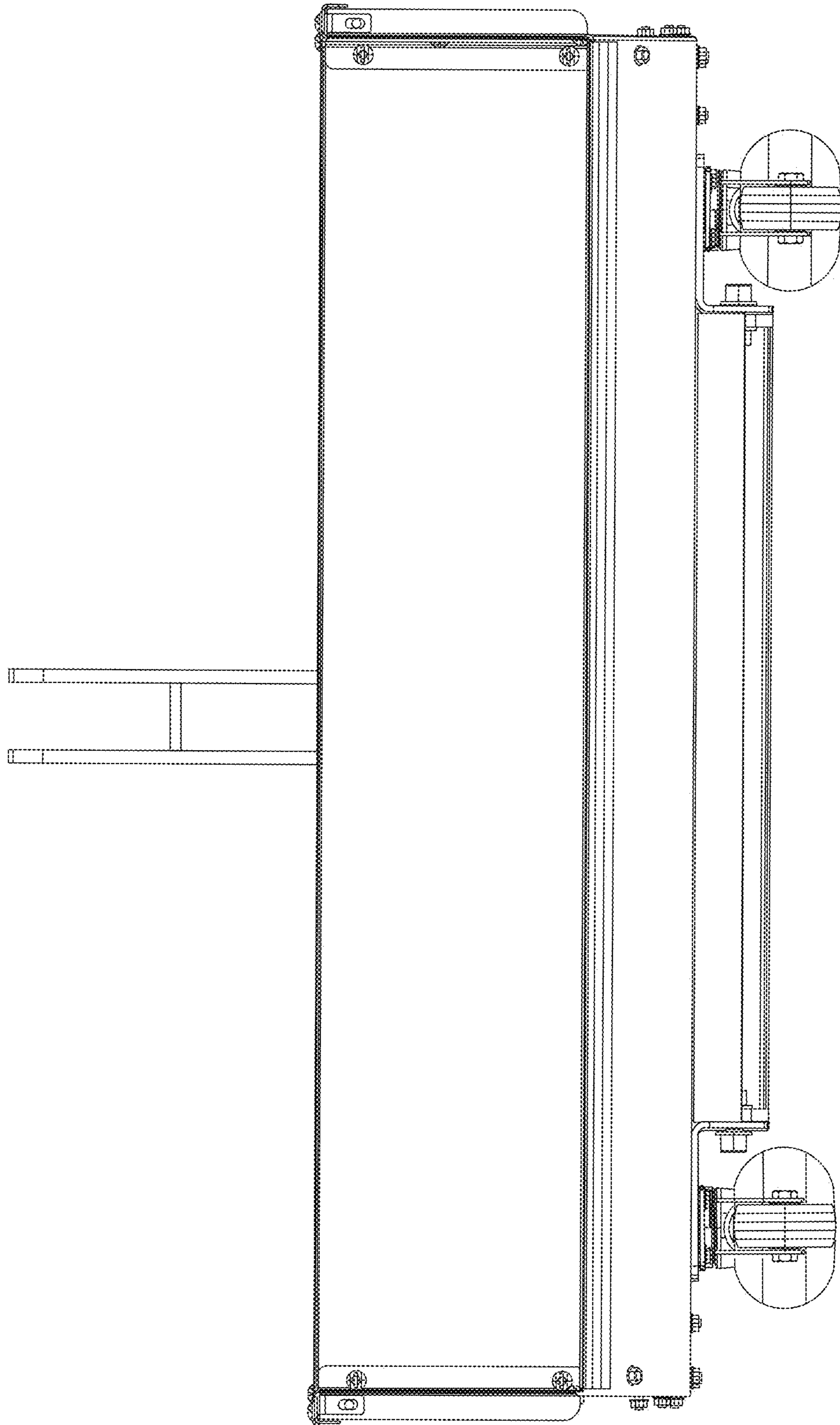


Fig. 3

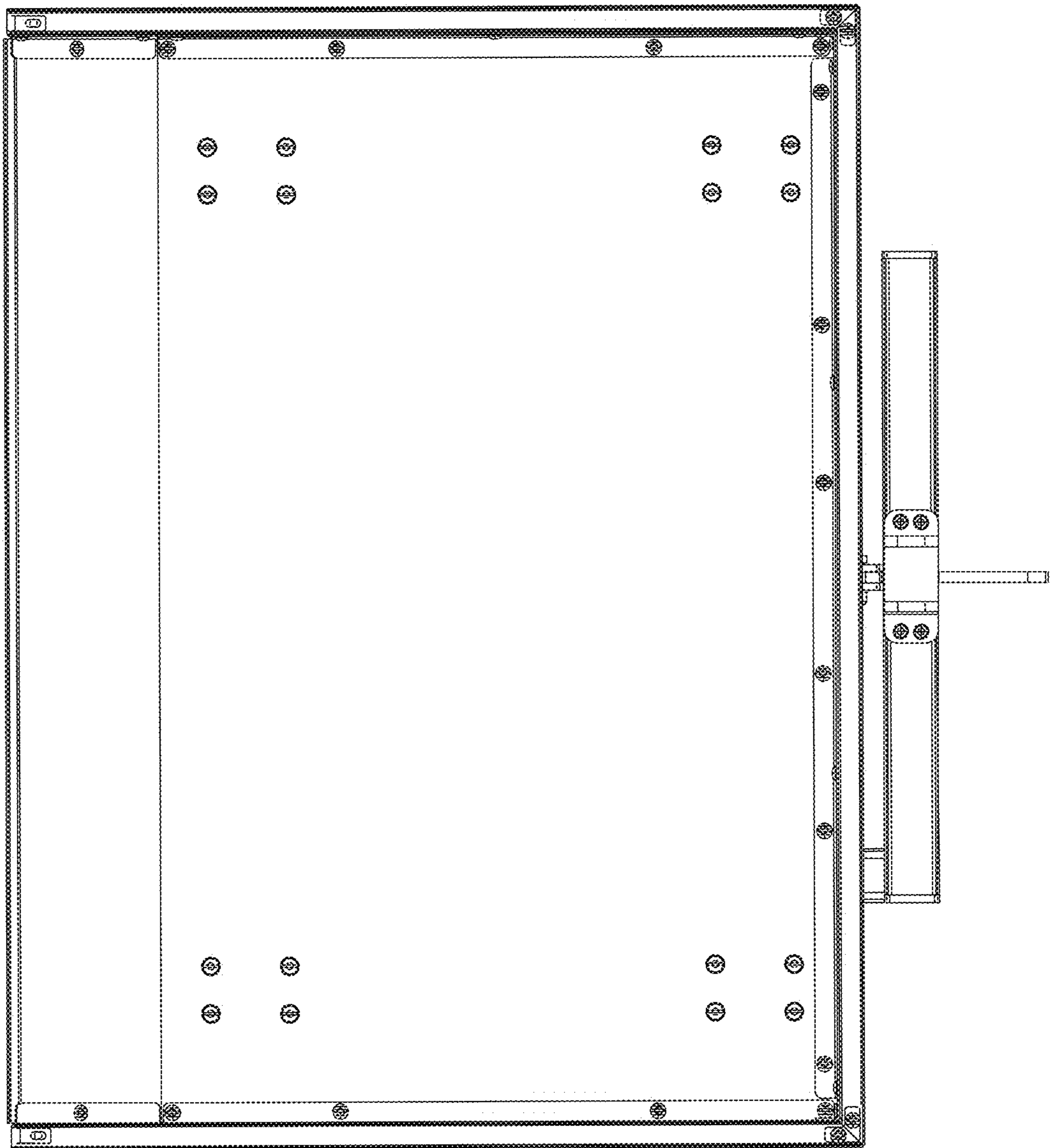


Fig. 4

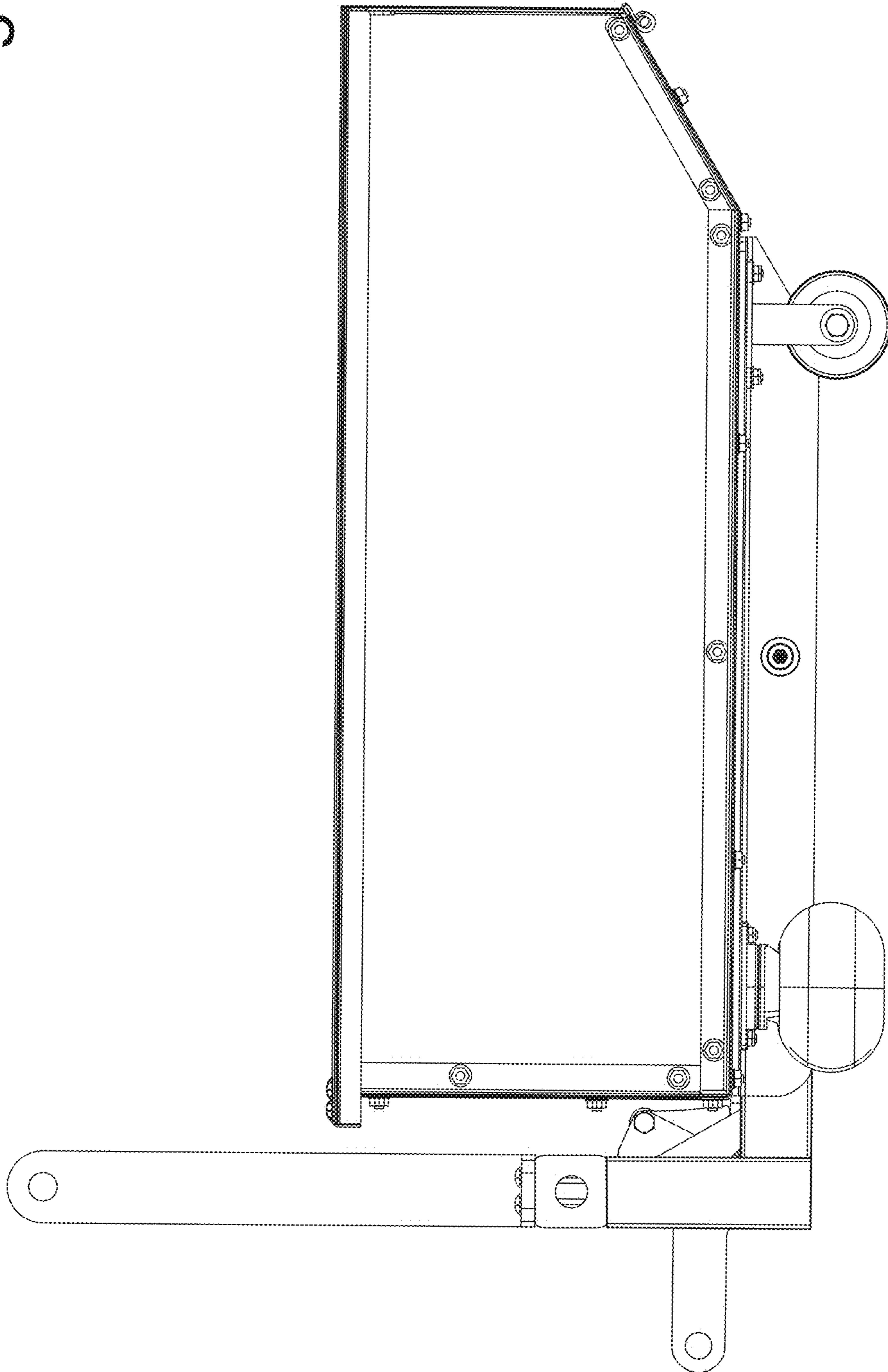


Fig. 5

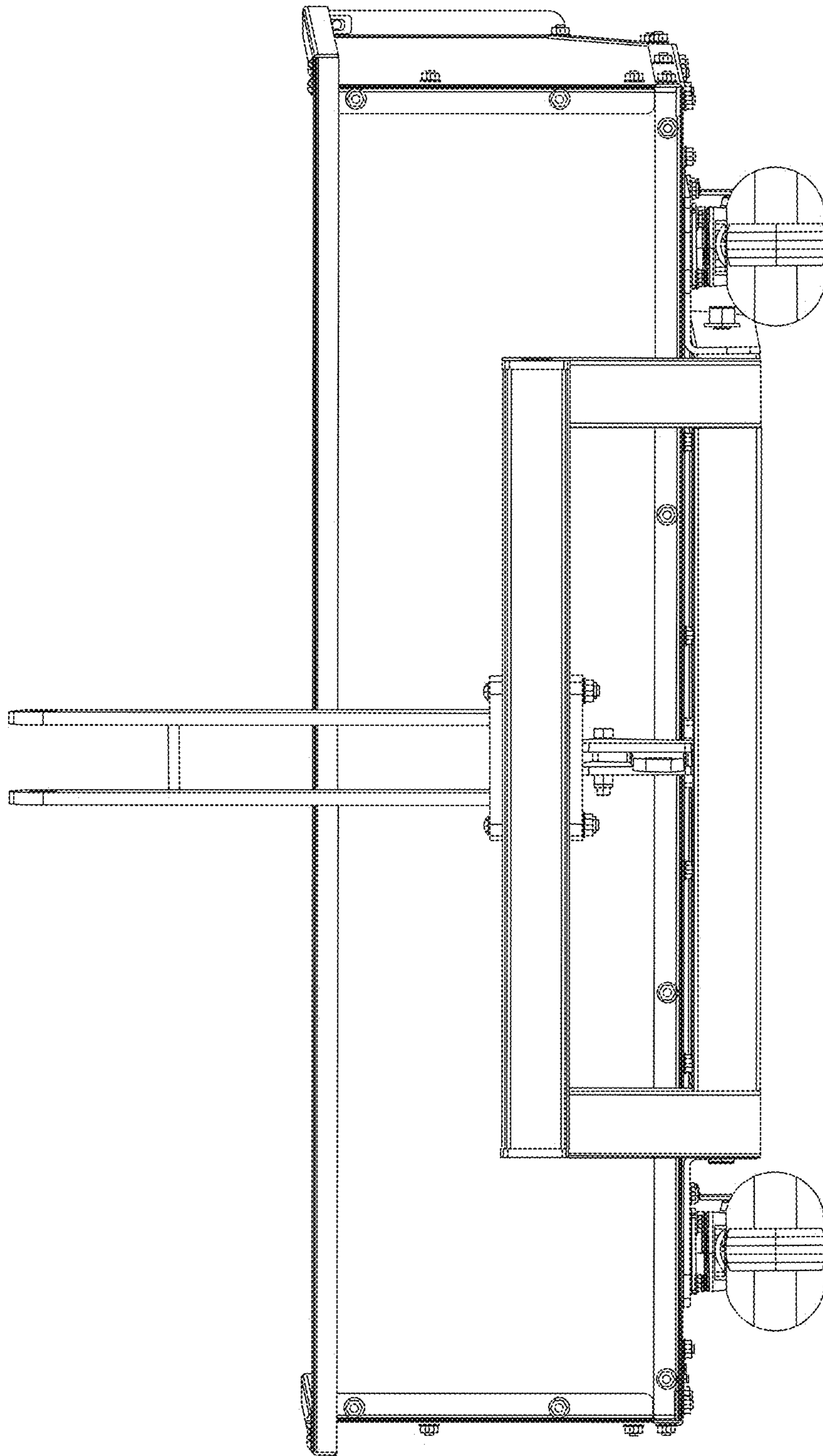


Fig. 6

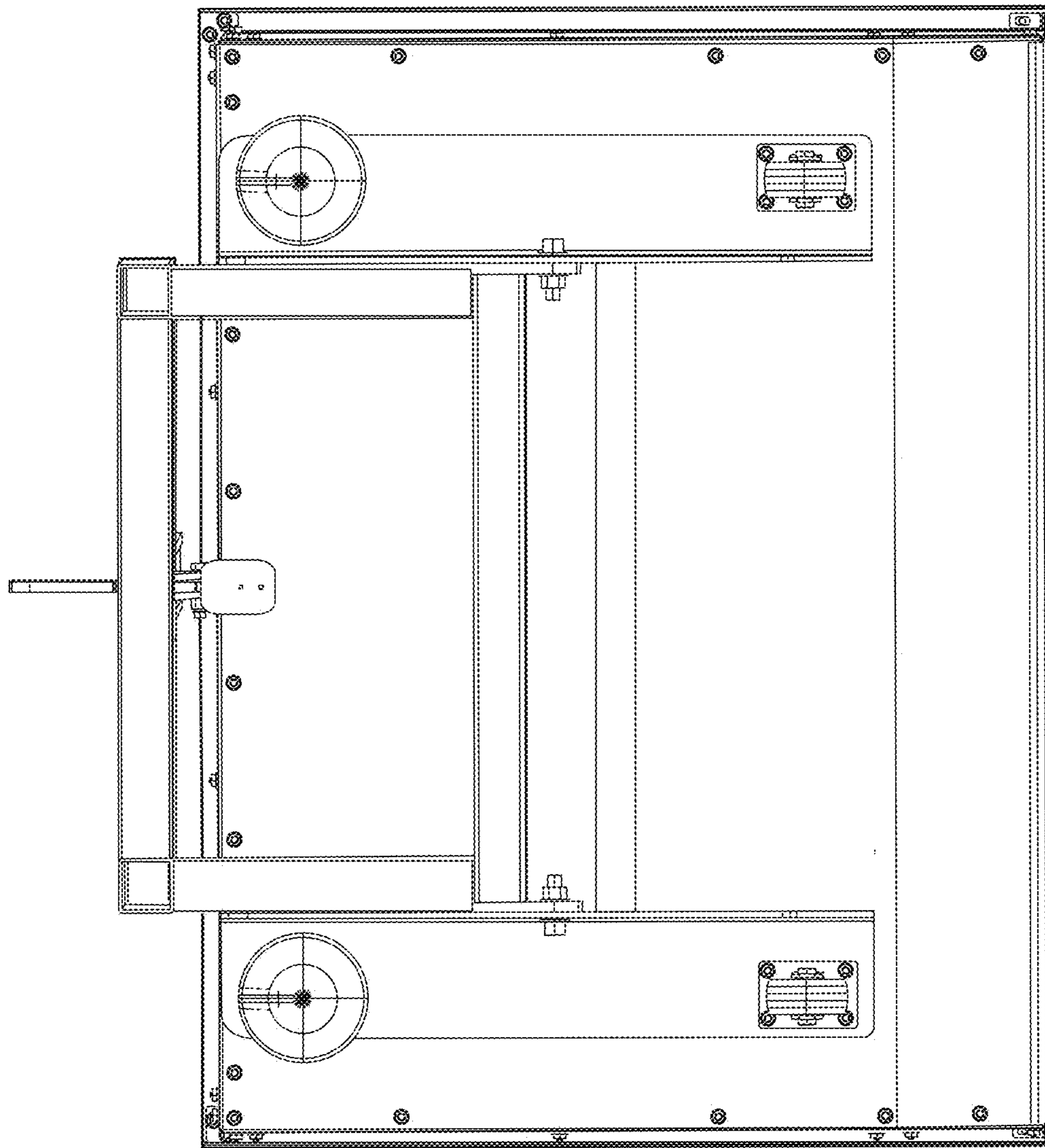


Fig. 7

