



US00D903964S

(12) **United States Design Patent**  
**Zhu**

(10) **Patent No.:** **US D903,964 S**

(45) **Date of Patent:** **\*\* Dec. 1, 2020**

(54) **DOCKING STATION FOR CLEANER HEAD**

(71) Applicant: **Falun Zhu**, Guangzhou (CN)

(72) Inventor: **Falun Zhu**, Guangzhou (CN)

(\*\*) Term: **15 Years**

(21) Appl. No.: **29/747,866**

(22) Filed: **Aug. 26, 2020**

(51) **LOC (12) Cl.** ..... **15-05**

(52) **U.S. Cl.**  
USPC ..... **D32/31**

(58) **Field of Classification Search**  
USPC ..... D32/31, 25, 17-21; D13/107, 108  
CPC ..... A47L 9/00; A47L 9/0018; A47L 9/0027;  
A47L 9/0036; A47L 9/0045  
See application file for complete search history.

(56) **References Cited**

**U.S. PATENT DOCUMENTS**

- D295,334 S \* 4/1988 Fonville ..... D32/31
- D295,910 S \* 5/1988 Hill ..... D32/31
- 5,071,012 A \* 12/1991 Jailor ..... A47L 9/0027  
211/13.1
- D354,380 S \* 1/1995 Stephens ..... D32/31
- 5,954,863 A \* 9/1999 Loveless ..... A47L 5/365  
15/353
- D422,764 S \* 4/2000 Wood ..... D32/31
- D447,609 S \* 9/2001 Hult ..... D32/31
- D463,079 S \* 9/2002 Leyden ..... D32/31
- D469,228 S \* 1/2003 Wareham ..... D32/31
- D567,560 S \* 4/2008 Byers ..... D6/553
- D623,367 S \* 9/2010 Gottschall ..... D32/31
- D660,303 S \* 5/2012 Vroom ..... D14/434
- D660,304 S \* 5/2012 Vroom ..... D14/434

- D669,476 S \* 10/2012 Vroom ..... D14/434
- D707,881 S \* 6/2014 Zhou ..... D26/138
- D733,049 S \* 6/2015 Sekula ..... D13/108
- D776,054 S \* 1/2017 Cmich ..... D13/108
- D782,486 S 3/2017 Nalbandian et al.
- D784,643 S \* 4/2017 Webster ..... D32/31
- D803,219 S 11/2017 Volek
- D804,483 S 12/2017 Minoli
- D809,232 S \* 1/2018 Wu ..... D32/31
- D837,144 S \* 1/2019 Nam ..... D13/107
- D863,703 S \* 10/2019 Wang ..... D32/31
- D867,794 S \* 11/2019 Nakamura ..... D6/675
- D884,620 S \* 5/2020 Burchard ..... D13/108
- D885,000 S \* 5/2020 Metz ..... D32/31
- 2003/0024067 A1 \* 2/2003 Roney ..... A47L 9/0036  
15/323
- 2004/0188570 A1 \* 9/2004 Bauer ..... F16L 3/223  
248/68.1

\* cited by examiner

*Primary Examiner* — Michelle E. Wilson

(74) *Attorney, Agent, or Firm* — HYIP

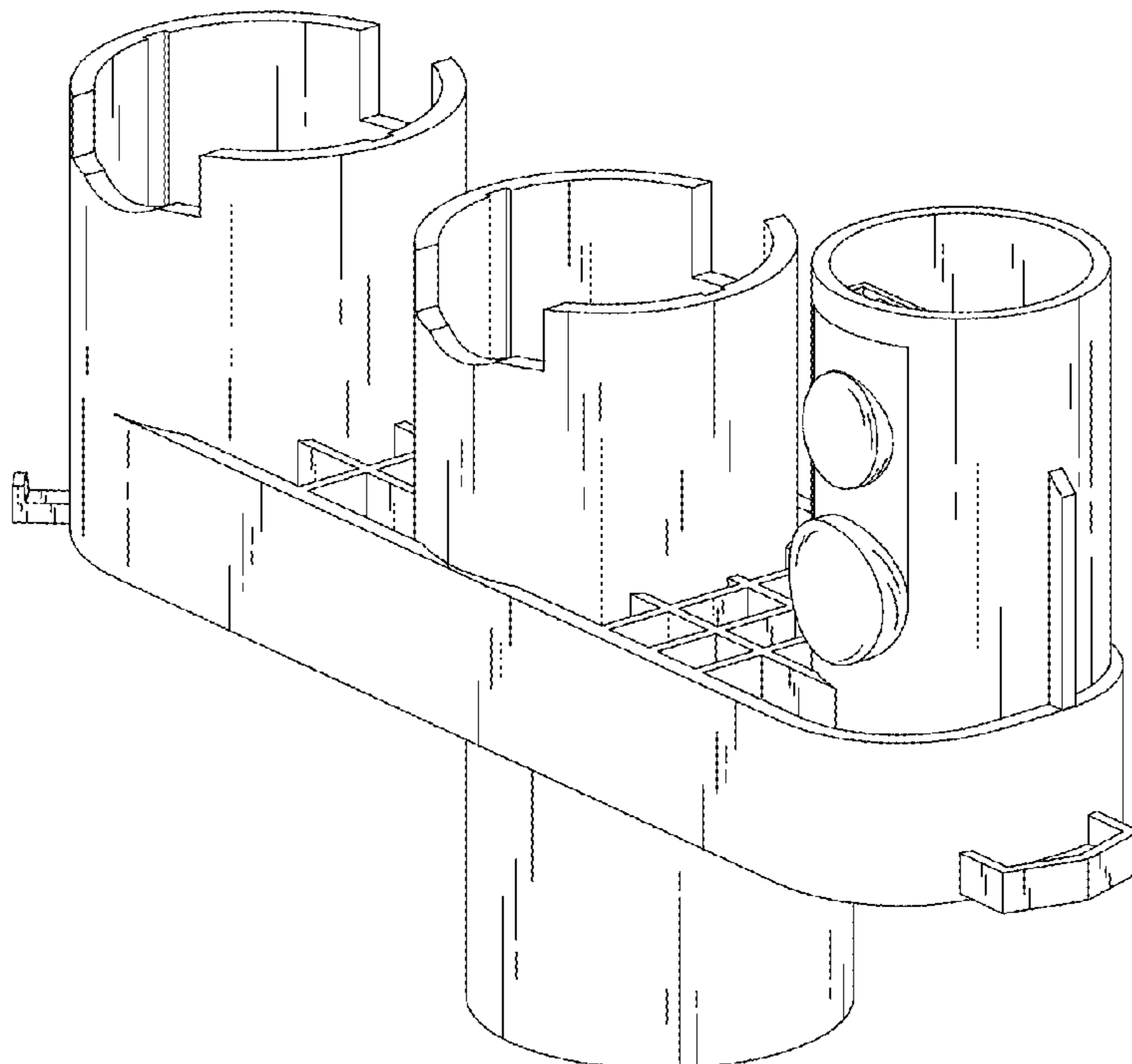
(57) **CLAIM**

The ornamental design for a docking station for cleaner head, as shown and described.

**DESCRIPTION**

FIG. 1 is a first perspective view of a docking station for cleaner head showing my new design; FIG. 2 is a front view thereof; FIG. 3 is a back view thereof; FIG. 4 is a left side view thereof; FIG. 5 is a right side view thereof; FIG. 6 is a top view thereof; and, FIG. 7 is a bottom view thereof.

**1 Claim, 7 Drawing Sheets**



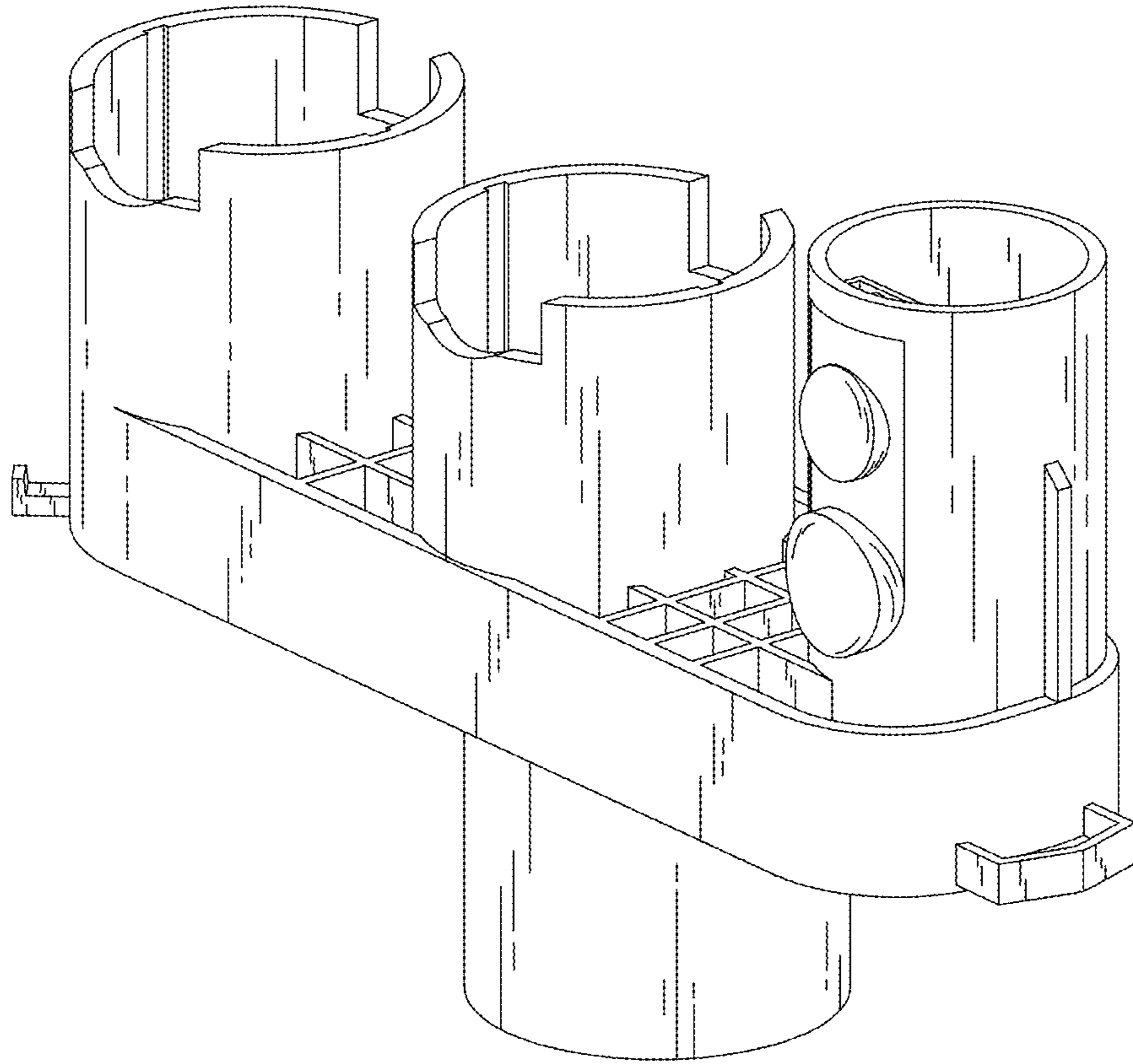


FIG. 1

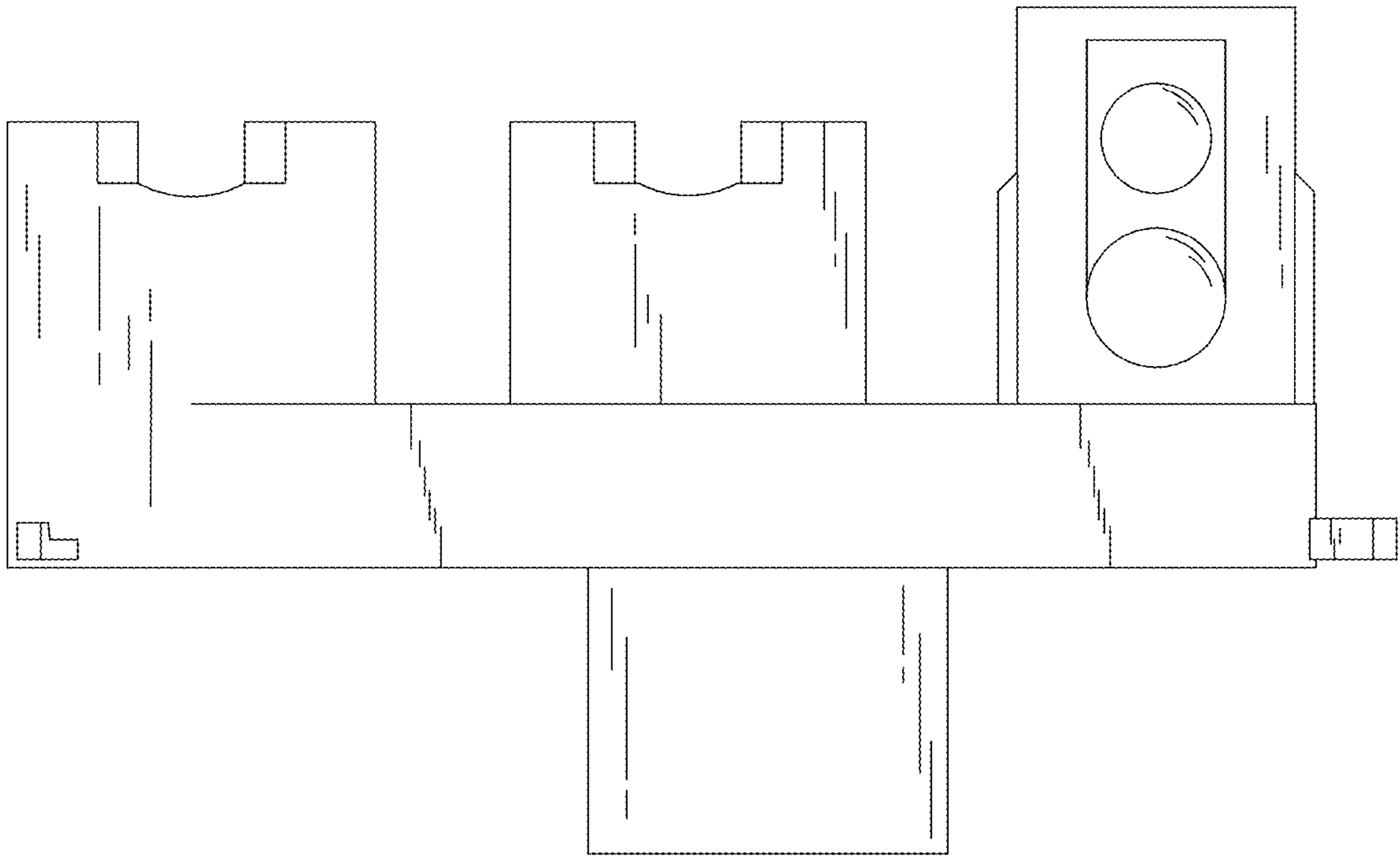


FIG. 2

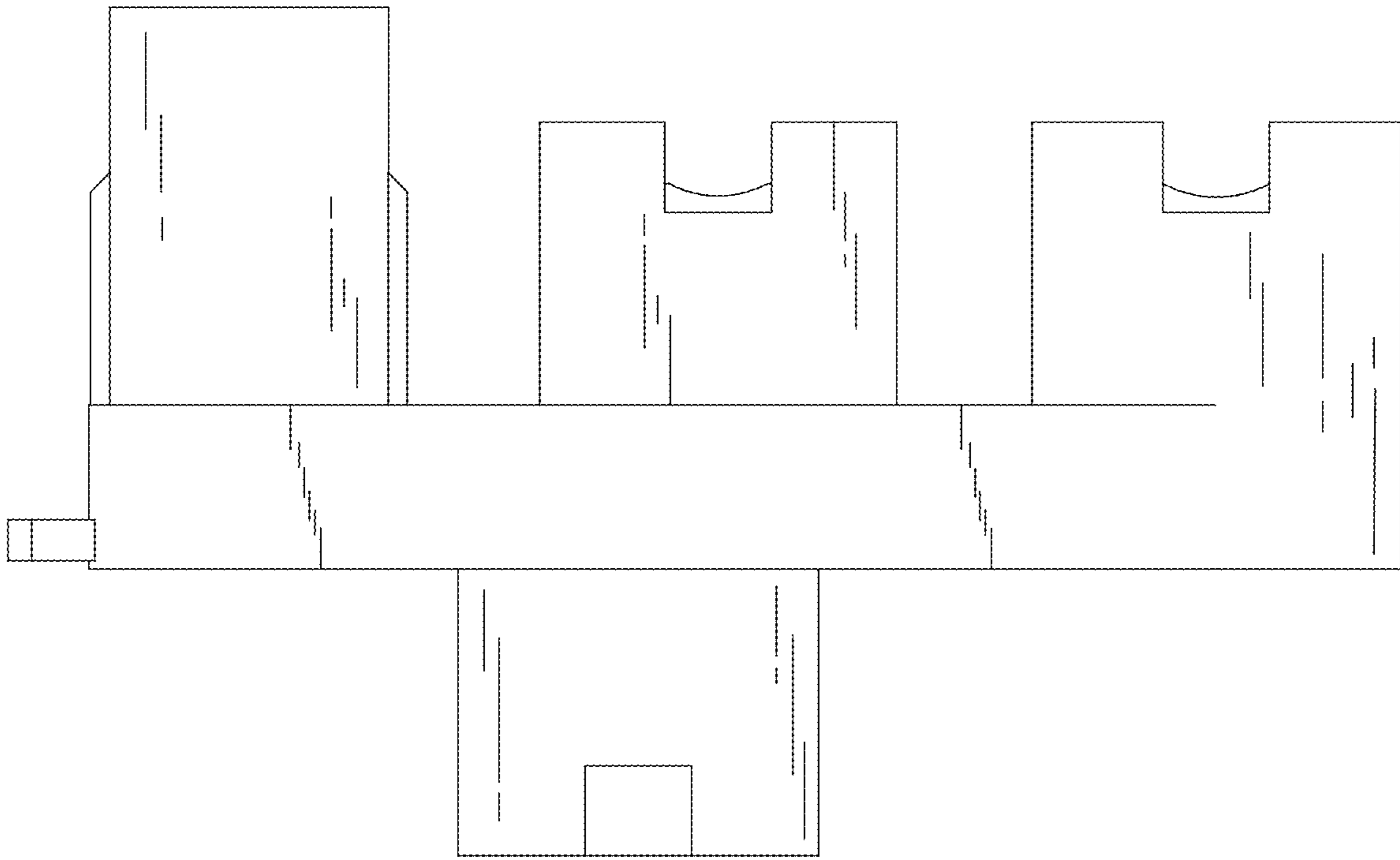


FIG. 3



FIG. 4

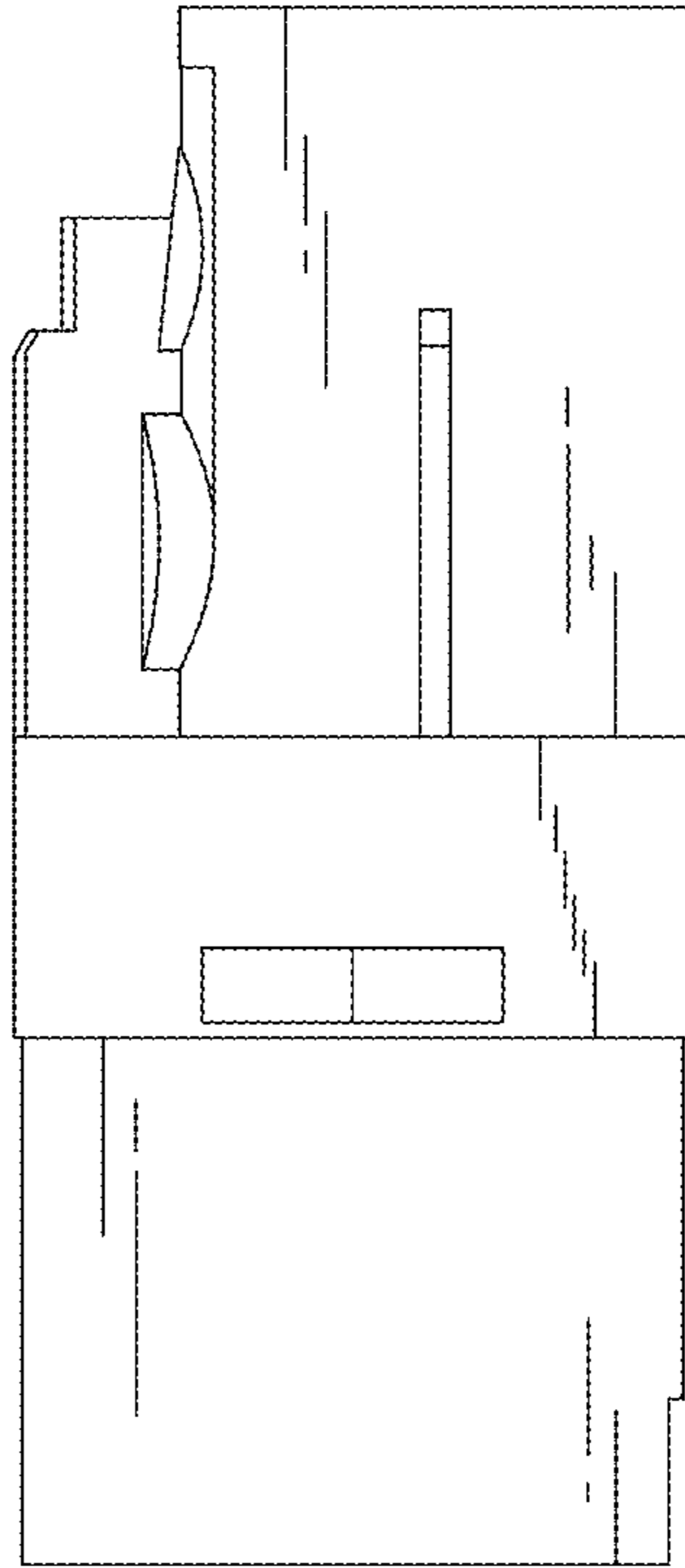


FIG. 5

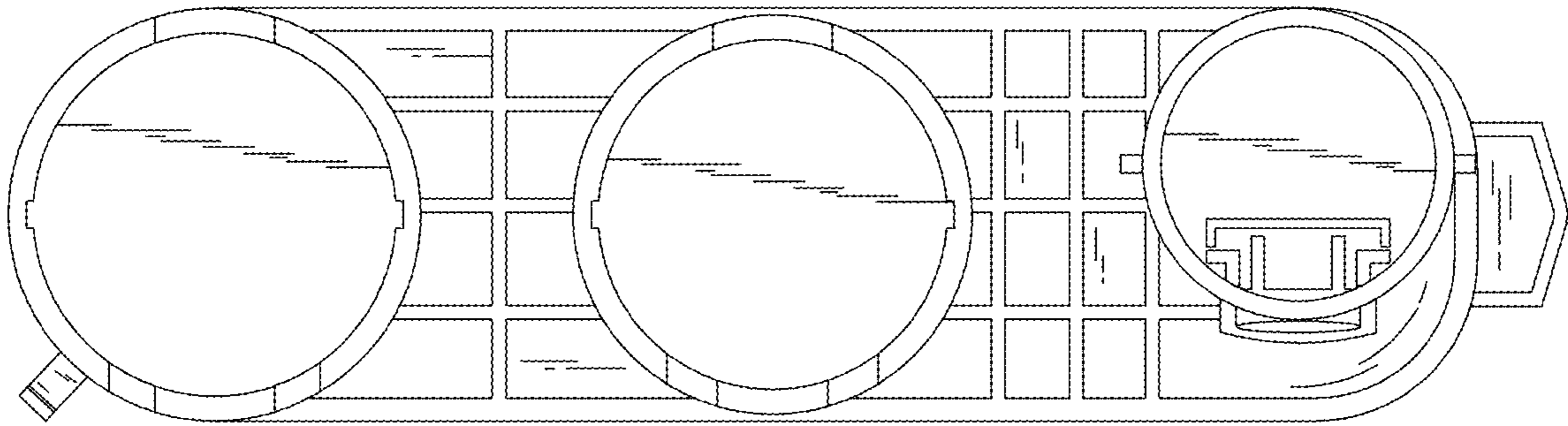


FIG. 6

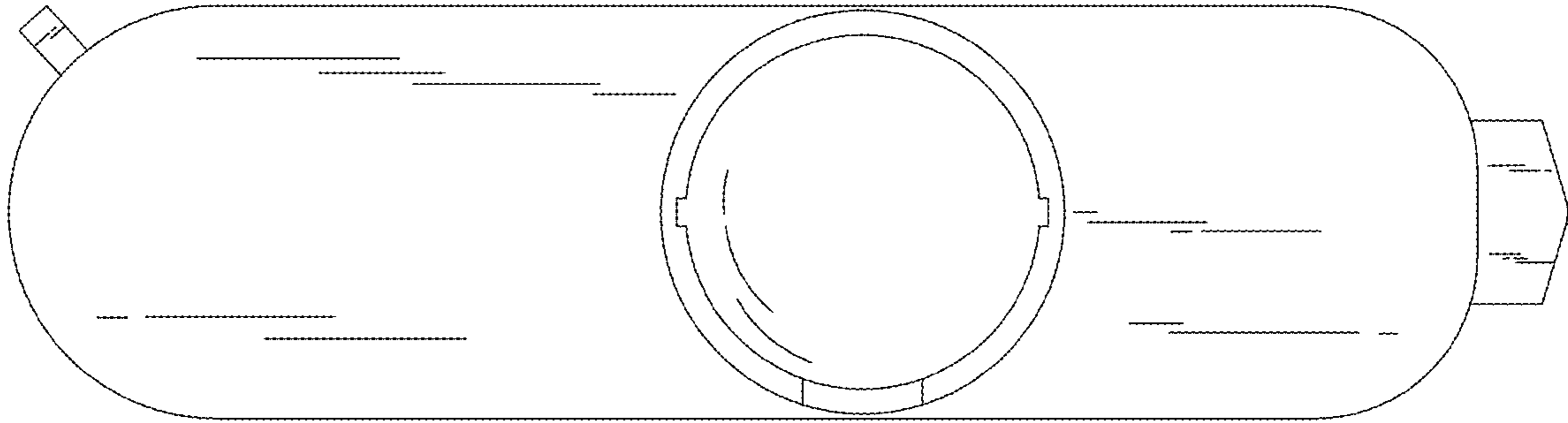


FIG. 7