



US00D903963S

(12) **United States Design Patent**
Jang et al.

(10) **Patent No.:** **US D903,963 S**

(45) **Date of Patent:** **** Dec. 1, 2020**

(54) **CRADLE FOR VACUUM CLEANER**

(71) Applicant: **SAMSUNG ELECTRONICS CO., LTD.**, Suwon-si (KR)

(72) Inventors: **Jaeho Jang**, Seoul (KR); **Yeonsu Kim**, Seoul (KR); **Seungwook Suh**, Goyang-si (KR); **Yunho Yang**, Seoul (KR); **Jeawon Choi**, Seoul (KR)

(73) Assignee: **SAMSUNG ELECTRONICS CO., LTD.**, Gyeonggi-Do (KR)

(**) Term: **15 Years**

(21) Appl. No.: **29/642,350**

(22) Filed: **Mar. 29, 2018**

(30) **Foreign Application Priority Data**

Dec. 29, 2017 (KR) 30-2017-0062639

(51) **LOC (12) Cl.** **15-05**

(52) **U.S. Cl.**
USPC **D32/31**

(58) **Field of Classification Search**

USPC D32/15-25, 29, 31-34; D13/108
CPC A47L 9/00; A47L 9/0009; A47L 9/0063;
A47L 9/2873; A47L 11/00; A47L 11/22;
A47L 11/24; A47L 11/32; A47L 11/4094;
A47L 11/20; A47L 11/40; A47L 5/24;
A47L 5/28; A47L 7/02; A47L 9/0018;
A47L 9/0027; A47L 9/0036; A47L 9/0045
See application file for complete search history.

(56) **References Cited**

U.S. PATENT DOCUMENTS

D218,015 S * 7/1970 Symington D8/354
D307,277 S * 4/1990 Desbarats 455/561
D308,267 S * 5/1990 Bradd D13/108
D445,975 S * 7/2001 Stratford D13/108

D520,945 S * 5/2006 Hayamizu D13/108
D520,946 S * 5/2006 Nasu D13/108
D532,367 S * 11/2006 Kettula D13/108
D532,369 S * 11/2006 Shimizu D13/108
D555,589 S * 11/2007 Hussaini D13/108
D559,485 S * 1/2008 Fjellman D13/108
D562,763 S * 2/2008 Kingston D13/108

(Continued)

FOREIGN PATENT DOCUMENTS

EM 001801358-0001 1/2011
JP 1410873 S 4/2011

(Continued)

Primary Examiner — Samantha Q Lawrence

Assistant Examiner — Kimberly Barnes

(74) *Attorney, Agent, or Firm* — Cantor Colburn LLP

(57) **CLAIM**

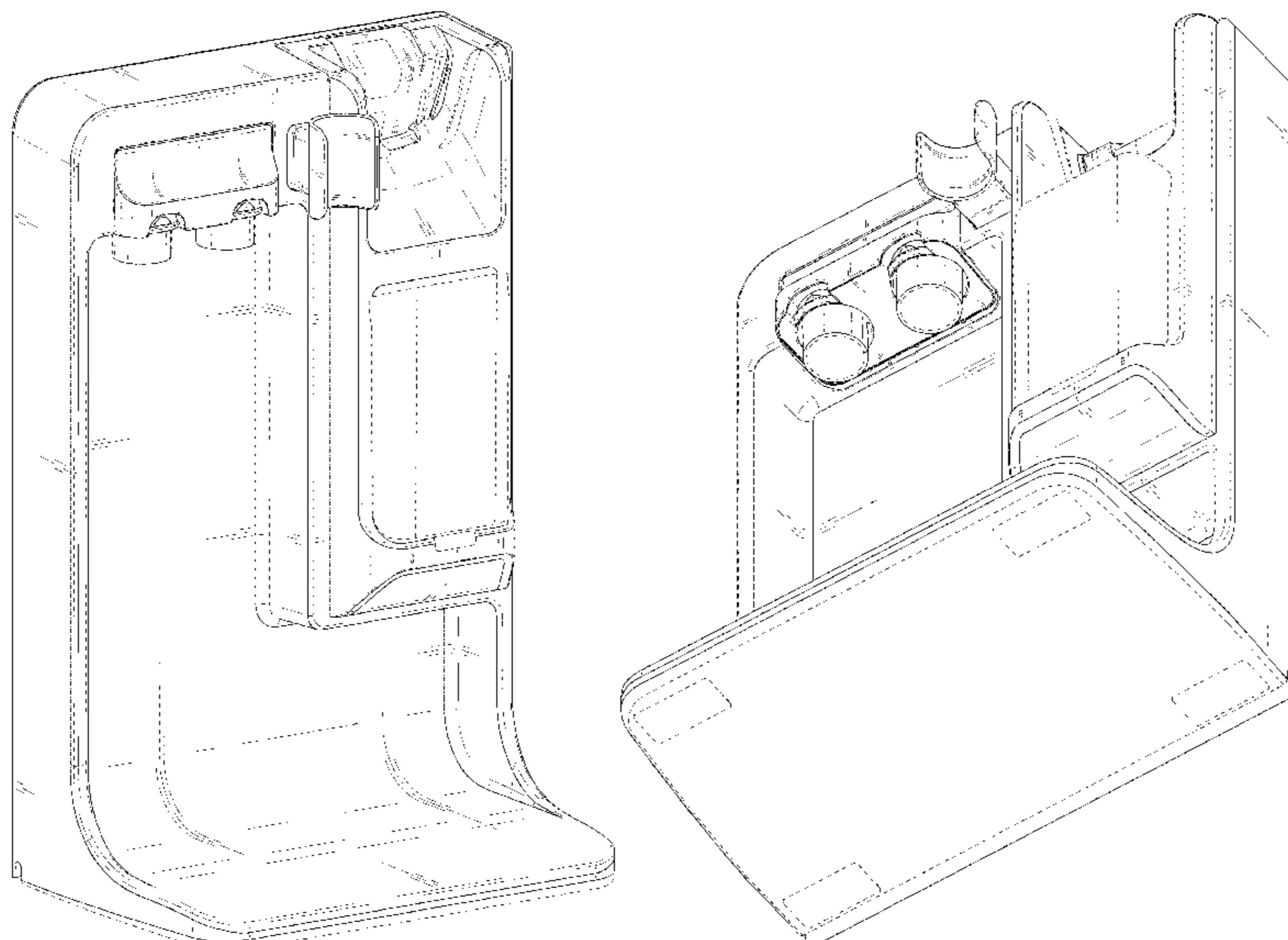
The ornamental design for a cradle for vacuum cleaner, as shown and described.

DESCRIPTION

FIG. 1 is a front perspective view of a cradle for vacuum cleaner, showing our new design;
FIG. 2 is a front view thereof;
FIG. 3 is a rear view thereof;
FIG. 4 is a left-side view thereof;
FIG. 5 is a right-side view thereof;
FIG. 6 is a top view thereof;
FIG. 7 is a bottom view thereof;
FIG. 8 is a rear perspective view thereof; and,
FIG. 9 is an enlarged front top right perspective view of portion 9 in FIG. 2.

The evenly spaced dash-dash broken lines depict portions of the cradle for vacuum cleaner that form no part of the claimed design. The dot-dot-dash broken lines surrounding portions of the claimed design that are illustrated in enlargements form no part of the claimed design.

1 Claim, 8 Drawing Sheets



(56)

References Cited

U.S. PATENT DOCUMENTS

D640,194 S * 6/2011 Kim D13/108
D641,694 S * 7/2011 Akahori D13/107
D671,888 S * 12/2012 Dyson D13/108
9,155,431 B2 * 10/2015 Dyson A47L 5/24
D813,240 S * 3/2018 Yeruva D14/434
D844,047 S * 3/2019 Yeruva D18/4.6
D873,770 S * 1/2020 Wang D13/108
D885,333 S * 5/2020 von Badinski D13/108
2018/0353036 A1 * 12/2018 Gierer A47L 5/28

FOREIGN PATENT DOCUMENTS

JP 1552698 S 6/2016
KR 300627203 S 1/2012

* cited by examiner

FIG. 1

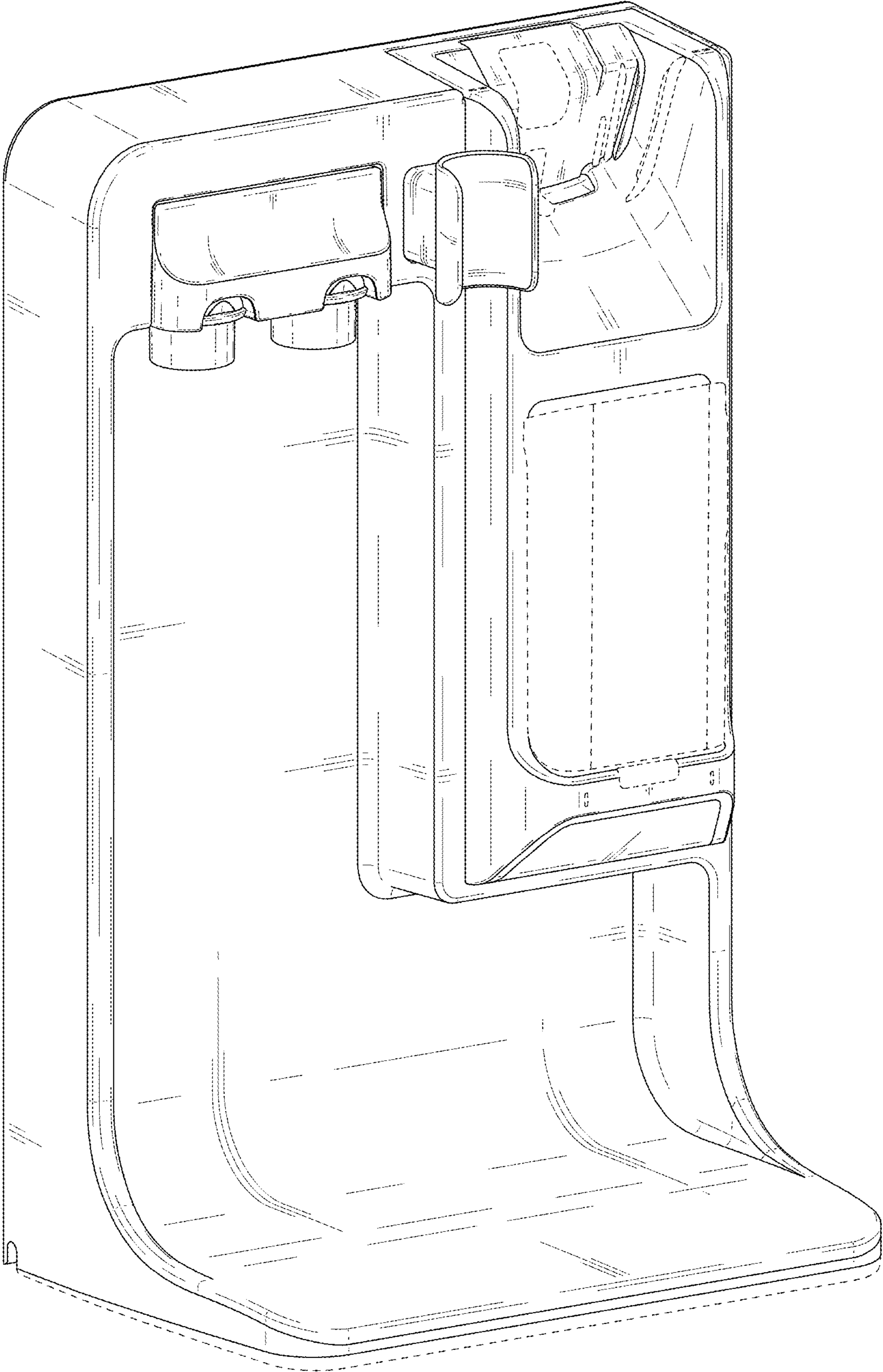


FIG. 2

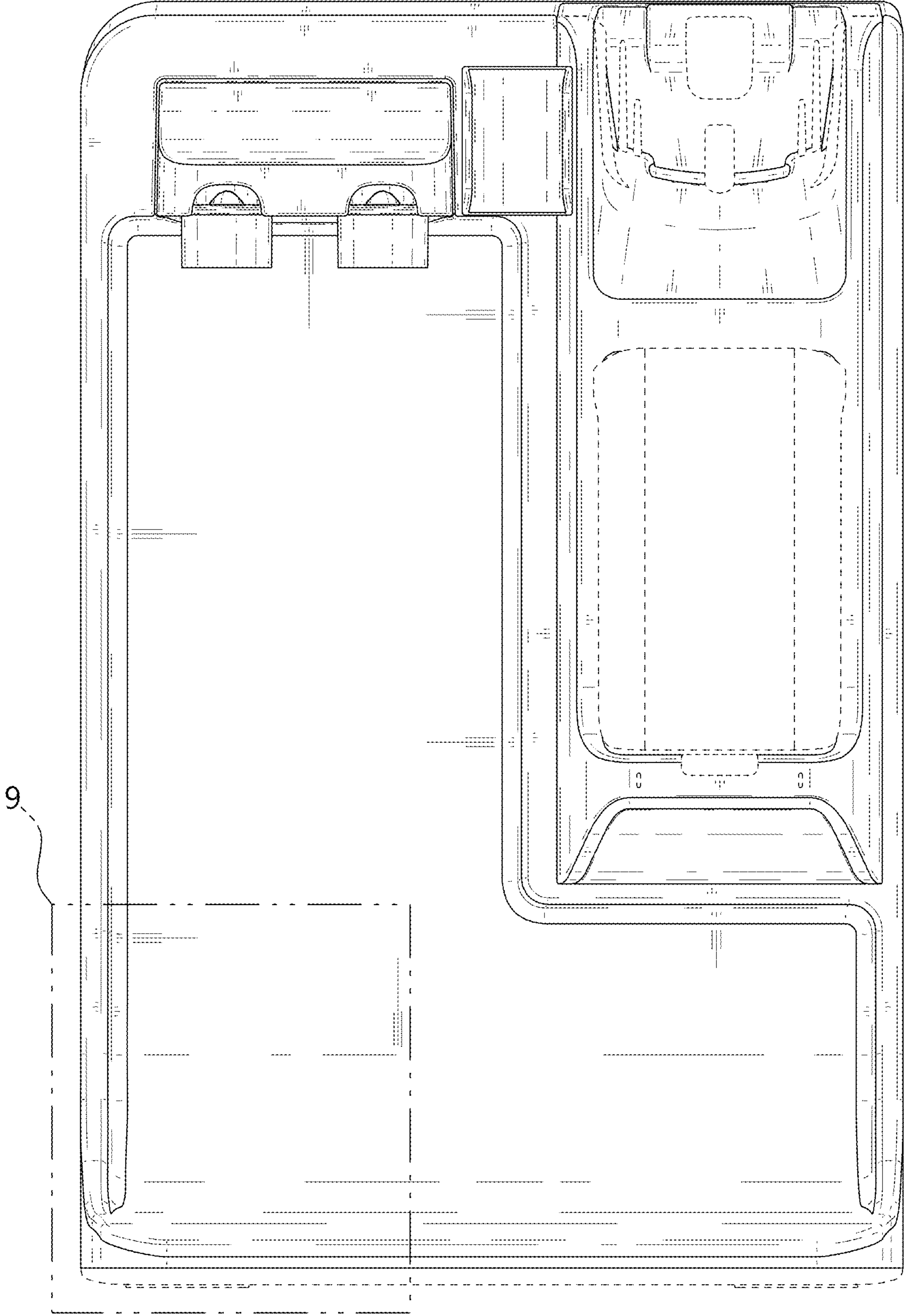


FIG. 3

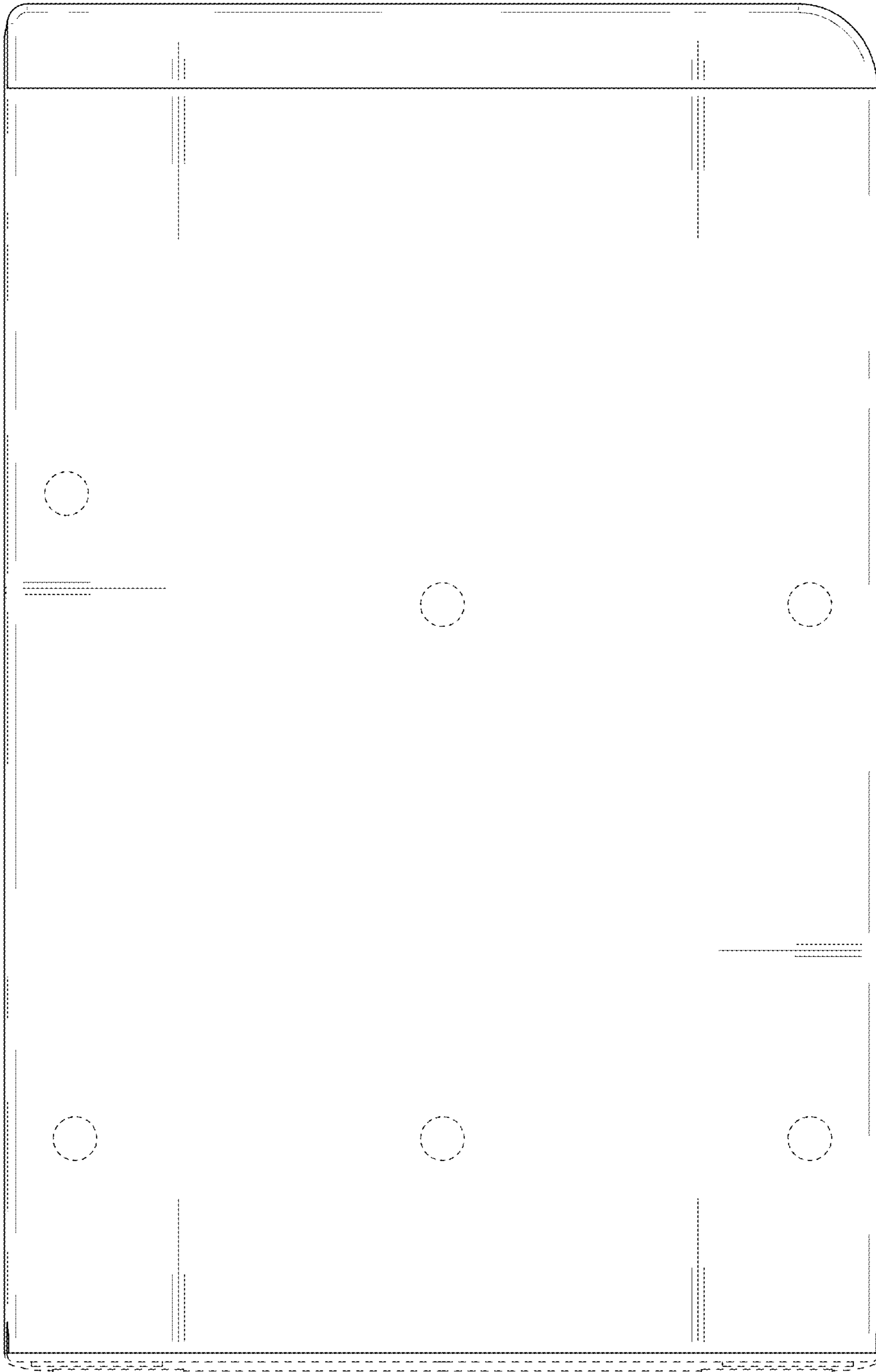


FIG. 4

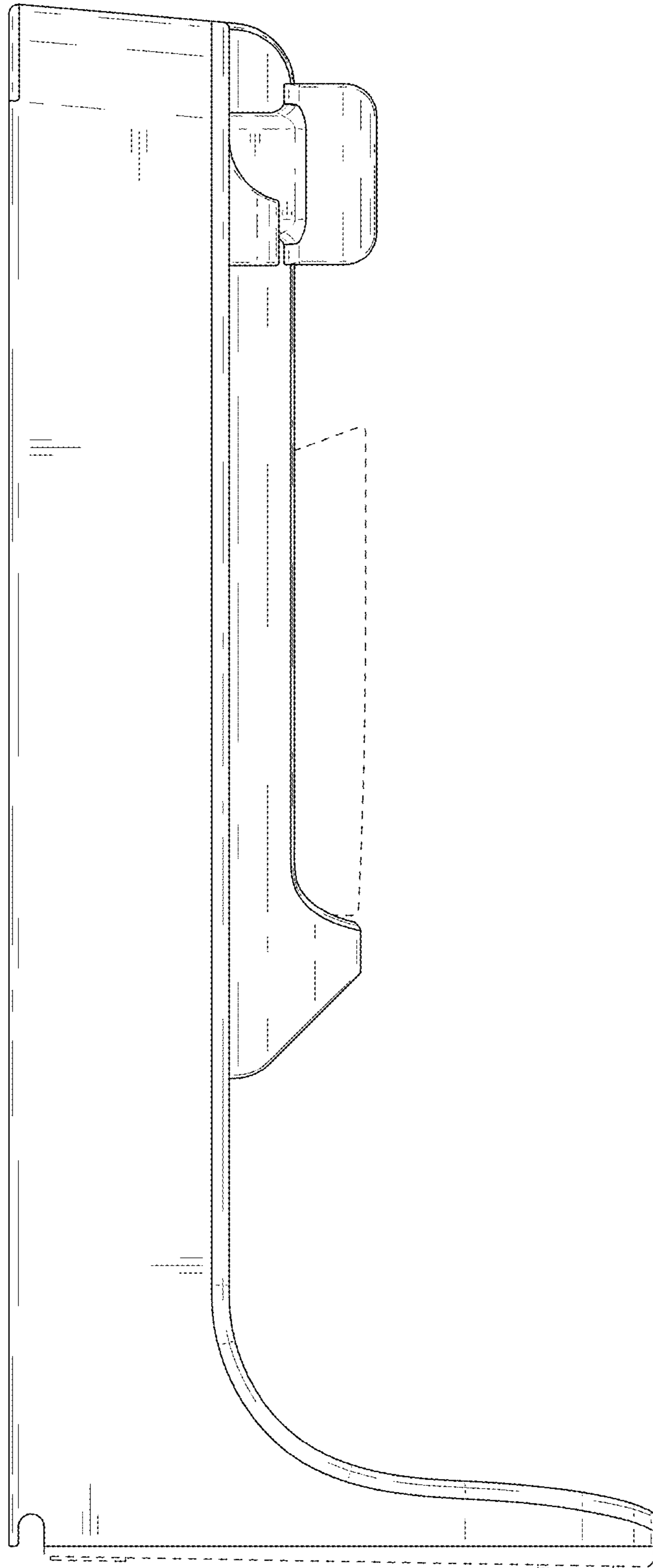


FIG. 5

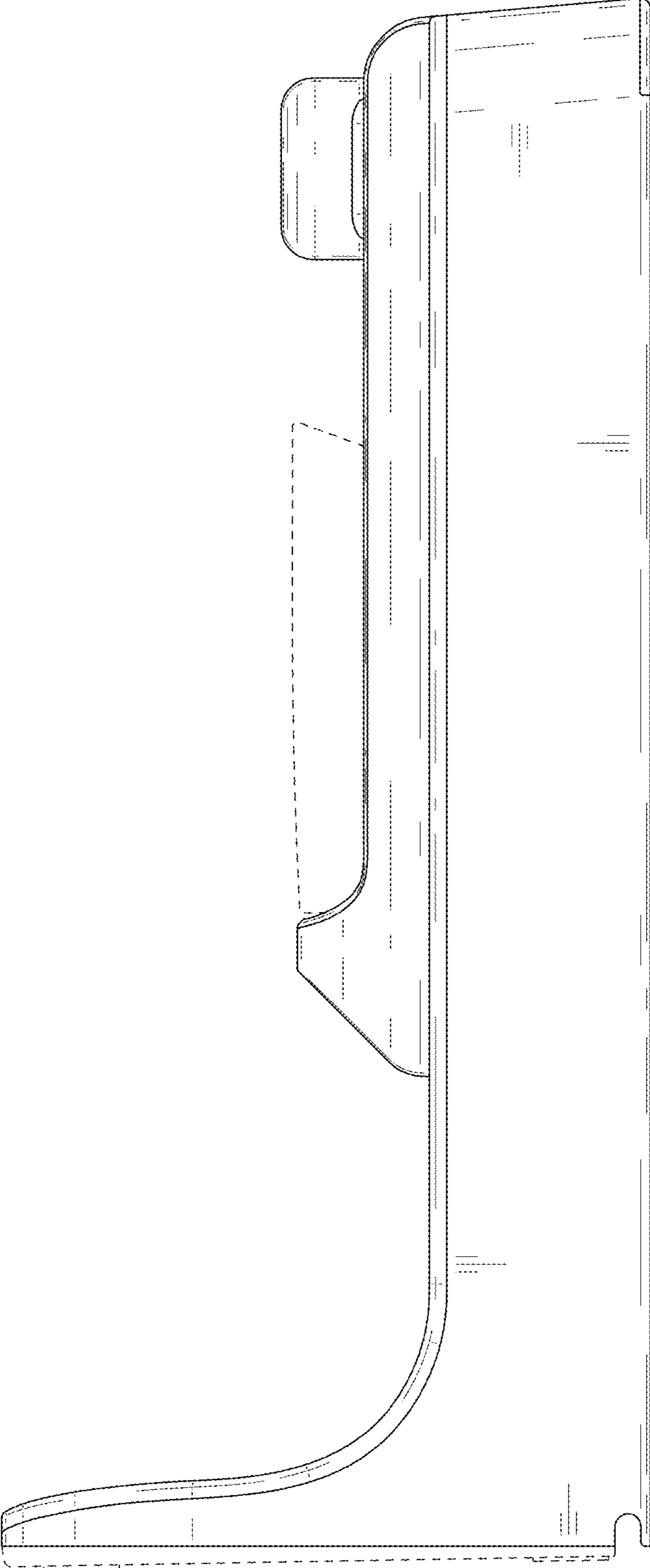


FIG. 6

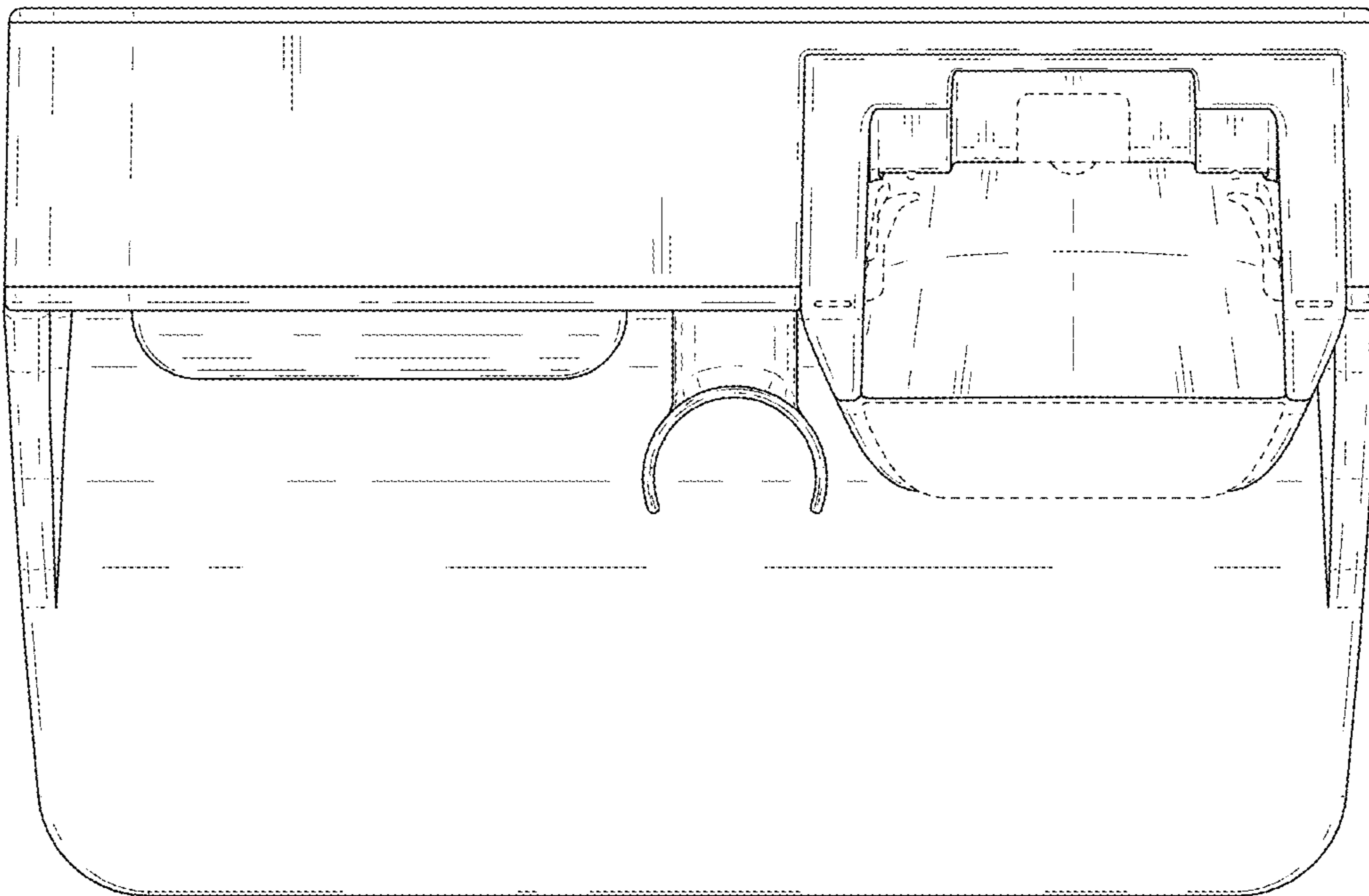


FIG. 7

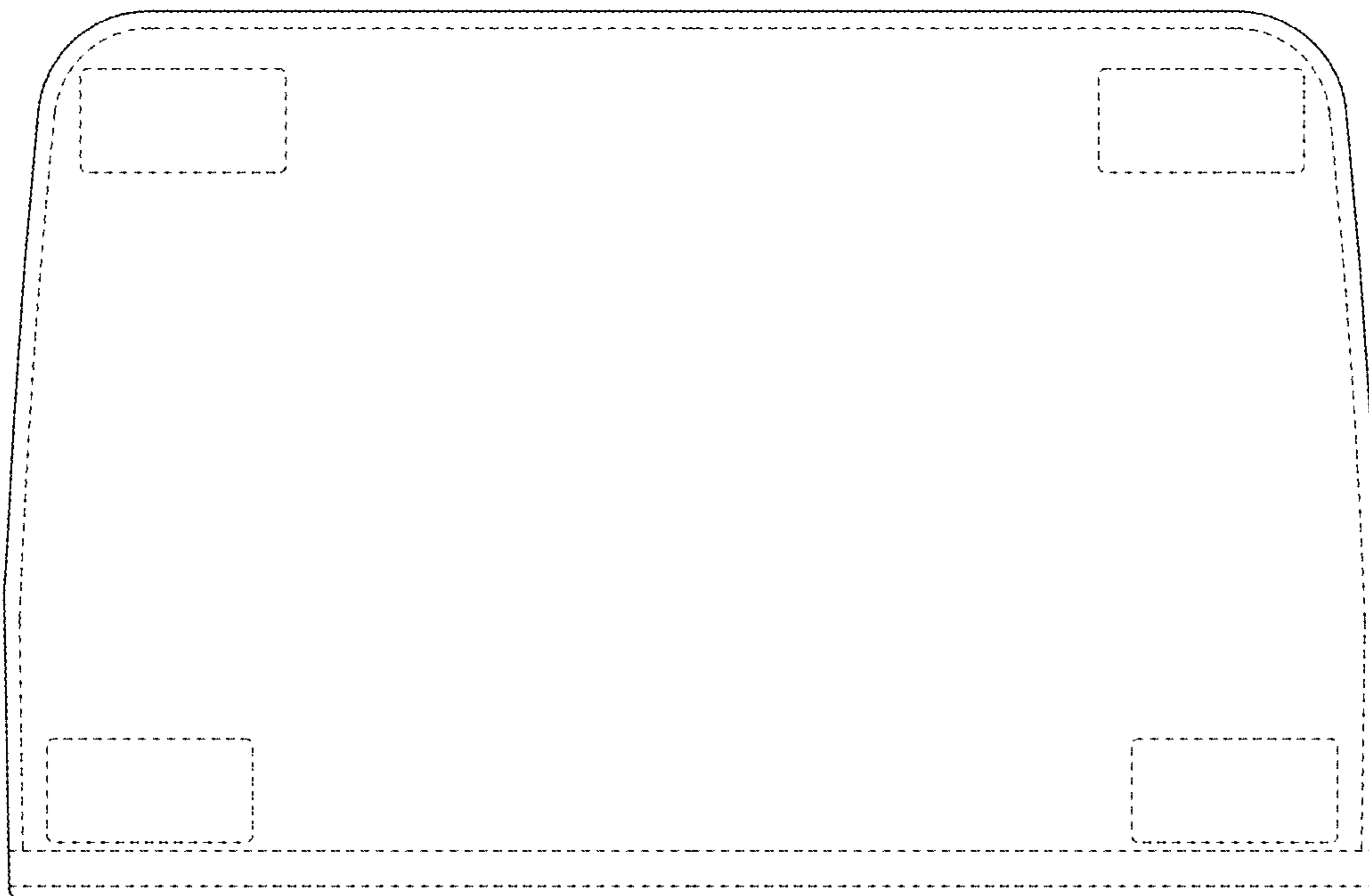


FIG. 8

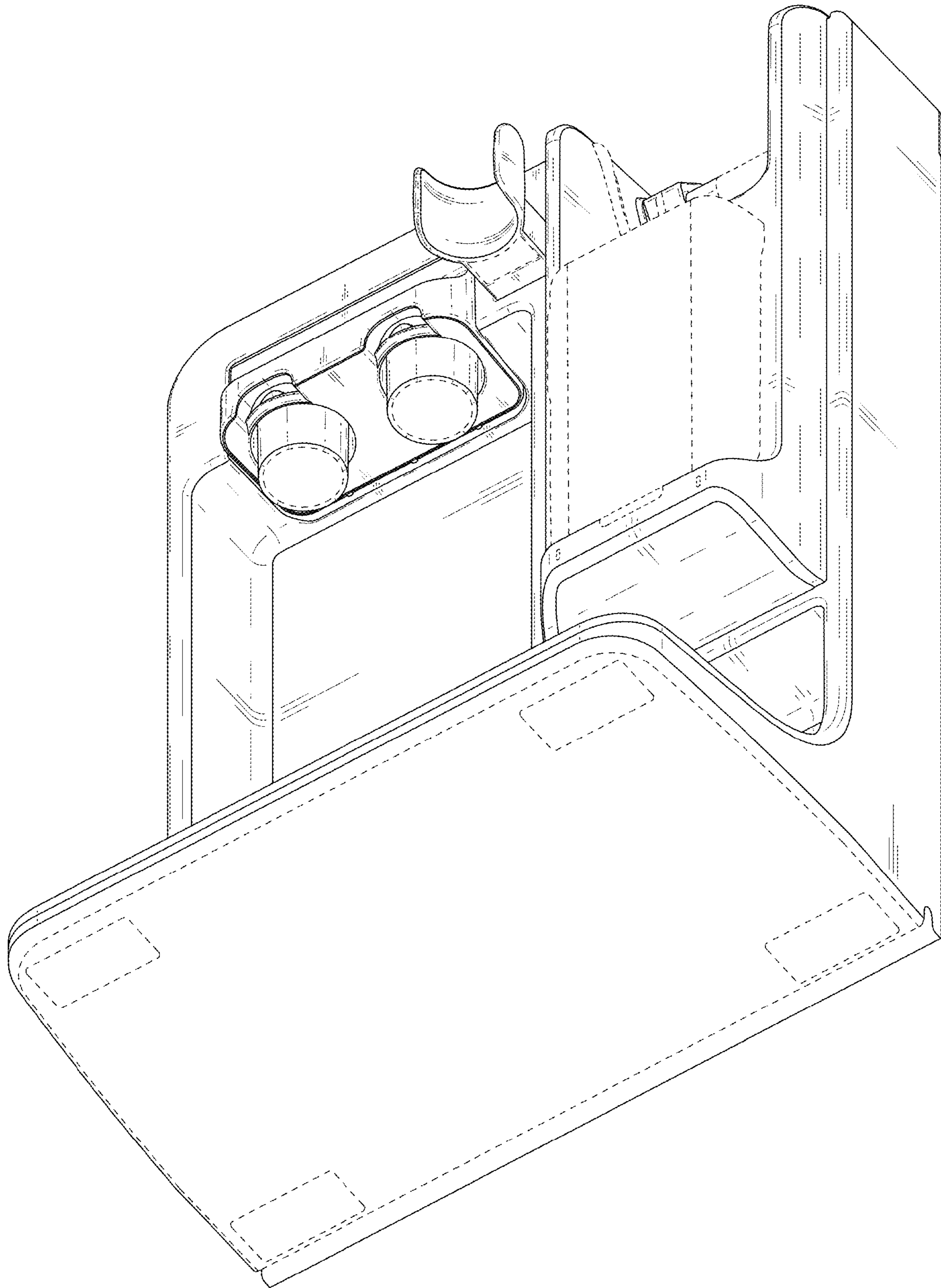


FIG. 9

