



US00D903961S

(12) **United States Design Patent**
Li

(10) **Patent No.:** **US D903,961 S**

(45) **Date of Patent:** **** Dec. 1, 2020**

- (54) **ROBOTIC VACUUM CLEANER**
- (71) Applicant: **Shenzhen Modern Business Trading Co., Ltd., Shenzhen (CN)**
- (72) Inventor: **ShaoJun Li, Guangdong (CN)**
- (**) Term: **15 Years**
- (21) Appl. No.: **29/727,265**
- (22) Filed: **Mar. 10, 2020**
- (51) **LOC (12) Cl.** **15-05**
- (52) **U.S. Cl.**
USPC **D32/21**
- (58) **Field of Classification Search**
USPC D32/15-25, 29, 31-34
CPC A47L 5/00; A47L 9/00; A47L 9/04; A47L 9/06; A47L 9/16; A47L 9/28; A47L 9/30
See application file for complete search history.

(56) **References Cited**

U.S. PATENT DOCUMENTS

- D548,902 S * 8/2007 Chun D32/21
- 7,441,298 B2 * 10/2008 Svendsen A47L 5/30
15/49.1
- D658,341 S * 4/2012 Nam D32/21
- D660,530 S * 5/2012 Geringer D32/21
- D661,440 S * 6/2012 Lee D32/21
- D669,235 S * 10/2012 Bassett D32/21
- D682,495 S * 5/2013 Kim D32/21
- D690,478 S * 9/2013 Li D32/21
- 8,584,305 B2 * 11/2013 Won A47L 5/30
15/319
- 8,741,013 B2 * 6/2014 Swett A47L 9/106
15/319
- D771,884 S * 11/2016 Ninomiya D32/21
- D835,869 S * 12/2018 Li D32/21
- 10,143,348 B2 * 12/2018 Machida A47L 9/10
- D840,617 S * 2/2019 Dou D32/21
- D843,671 S * 3/2019 Chei D32/21
- 10,222,805 B2 * 3/2019 Munich G05D 1/0246

- 10,349,798 B2 * 7/2019 Jun A47L 9/2852
D860,559 S 9/2019 Thackray et al.
- 10,463,215 B2 * 11/2019 Morin A47L 9/2815
D869,109 S * 12/2019 Yu D32/21
- D870,403 S * 12/2019 Ebrahimi Afrouzi D32/21
- D870,994 S * 12/2019 Zhou D32/21

(Continued)

OTHER PUBLICATIONS

Deenkee DK600 (on-line), dated Jul. 12, 2019. Retrieved from Internet Jun. 3, 2020, URL: <https://web.archive.org/web/20190712184757/https://www.deenkee.com/portal/list/index/id/13.html> (1 page) (Year: 2019).*

(Continued)

Primary Examiner — Kimberly Barnes
(74) *Attorney, Agent, or Firm* — ZANIP

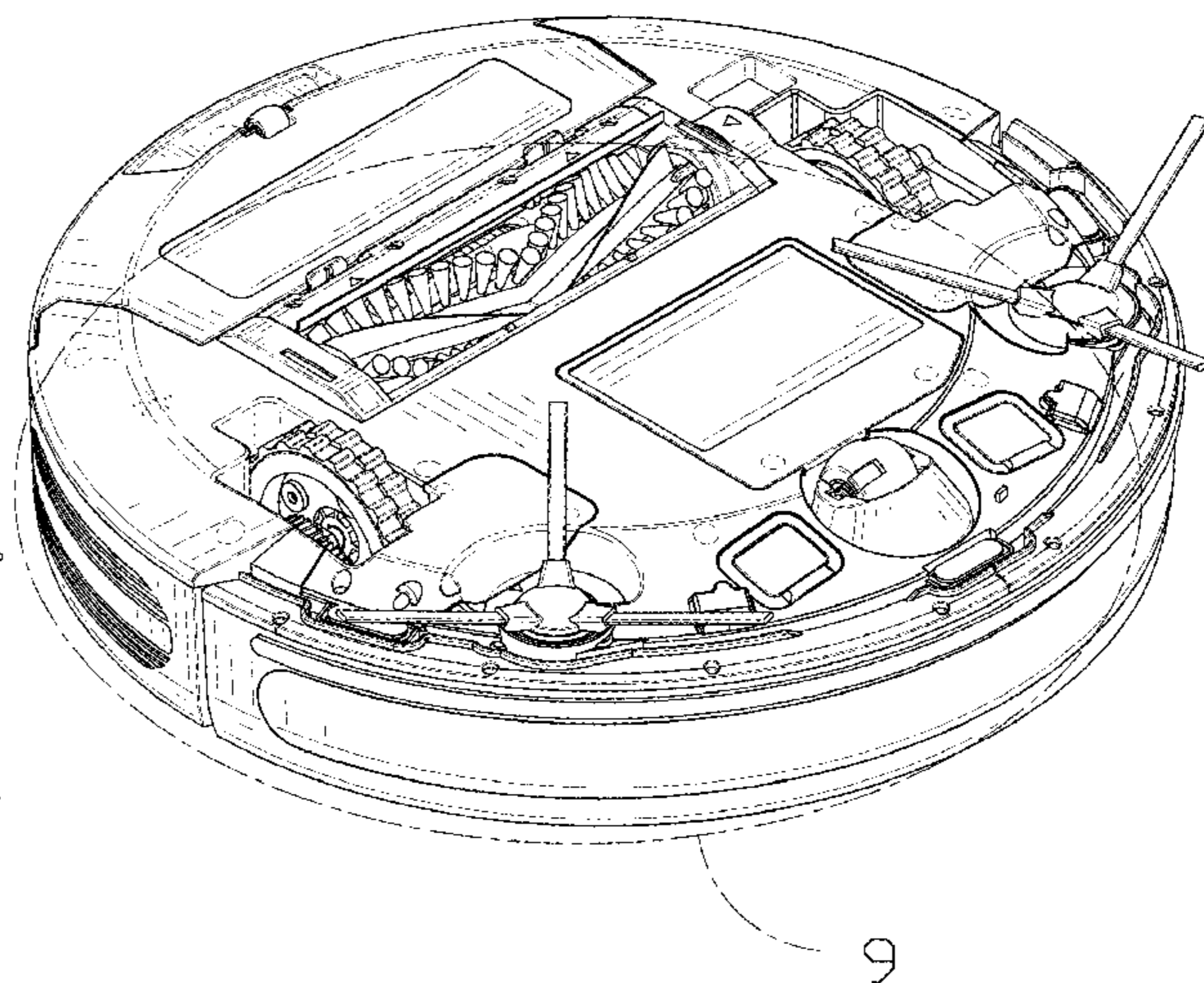
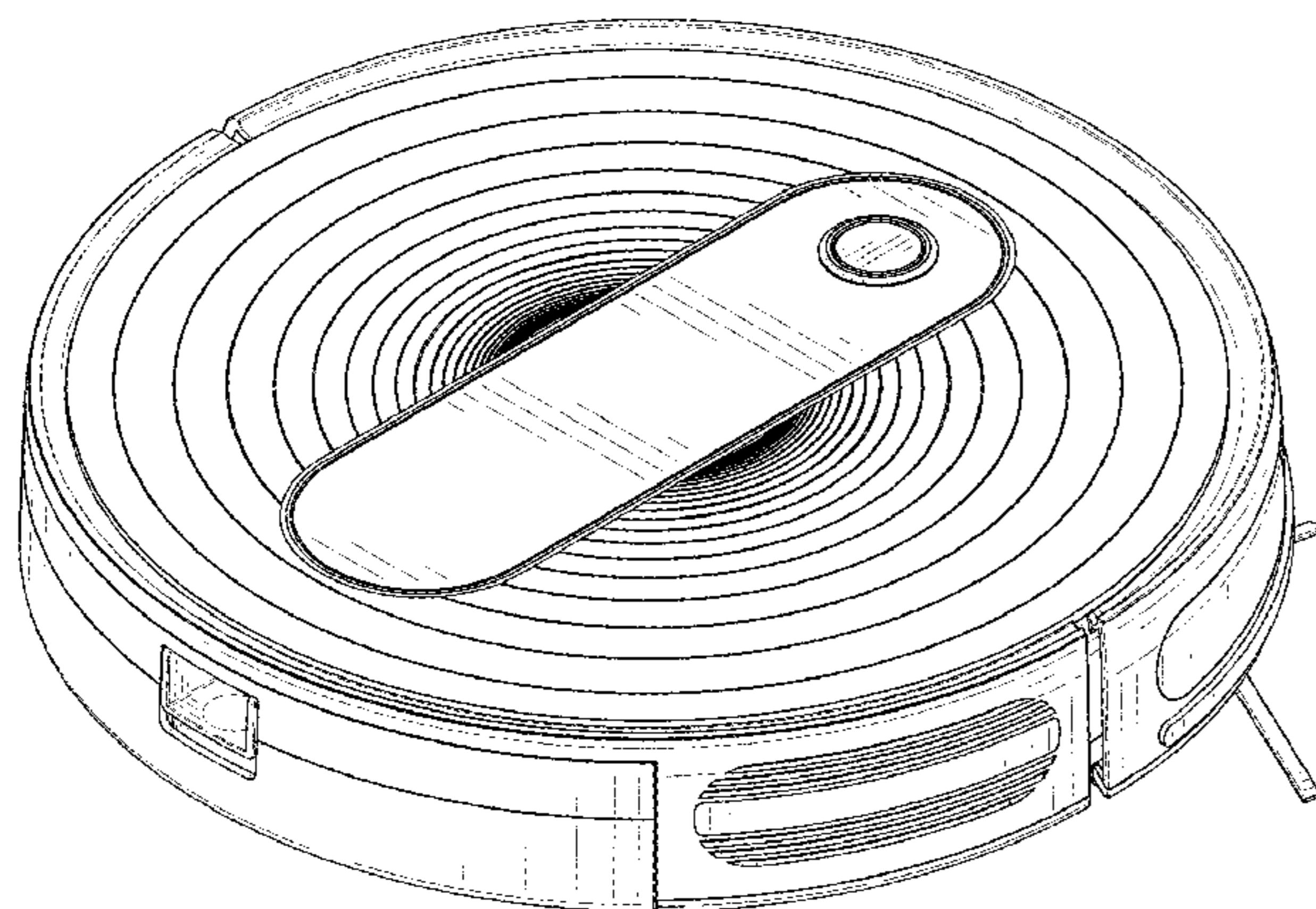
(57) **CLAIM**

The ornamental design for a robotic vacuum cleaner, as shown and described.

DESCRIPTION

FIG. 1 is a front and top perspective view of a robotic vacuum cleaner, showing my new design;
FIG. 2 is a rear and bottom perspective view thereof;
FIG. 3 is a top plan view thereof;
FIG. 4 is a bottom plan view thereof;
FIG. 5 is a left side devotional view thereof;
FIG. 6 is a right side elevational view thereof;
FIG. 7 is a rear elevational view thereof;
FIG. 8 is a front elevational view thereof; and,
FIG. 9 is an enlarged view of a portion indicated in FIG. 2. The broken lines in the figures illustrate portions of the robotic vacuum cleaner that form no part of the claimed design. The dash dot dash lines in FIGS. 2 and 9 are for the purpose of depicting the cut line of the enlarged view and form no part of the claim.

1 Claim, 9 Drawing Sheets



9

(56)

References Cited

U.S. PATENT DOCUMENTS

D871,694	S *	12/2019	Casini	D32/21
D872,953	S *	1/2020	Ebrahimi Afrouzi	D32/21
D876,035	S *	2/2020	Song	D32/21
D884,298	S *	5/2020	Li	D32/21
D885,698	S *	5/2020	Li	D32/21
D885,699	S *	5/2020	Li	D32/21
D890,457	S *	7/2020	Pearce	D32/21
D893,819	S *	8/2020	Li	D32/21
2016/0051110	A1 *	2/2016	Cao	A47L 9/009 15/324
2019/0069744	A1 *	3/2019	Liggett	A47L 9/2805
2019/0171222	A1 *	6/2019	Nan	A47L 9/00
2019/0200823	A1 *	7/2019	Song	A47L 9/30
2019/0350428	A1 *	11/2019	Hu	A47L 11/4083
2020/0022553	A1 *	1/2020	Gill	A47L 11/4025
2020/0037843	A1 *	2/2020	Fiebig	A47L 9/2889

OTHER PUBLICATIONS

Deenkee DK600 vacuum review (on-line), dated Aug. 1, 2019. Retrieved from Internet Jun. 3, 2020, URL: <https://www.youtube.com/watch?v=G-umVIQVRf8> (1 page) (Year: 2019).*

Bagotte BG600 Robot Vacuum Cleaner (on-line), reviewed Apr. 6, 2019. Retrieved from Internet Jun. 3, 2020, URL: <https://www.amazon.com/Bagotte-Cleaner-Self-Charging-Automatic-Hardwood/dp/B07MVTfZS7> (1 page) (Year: 2019).*

Amarey A900 Smart Robot Vacuum Cleaner (on-line), dated Sep. 11, 2019. Retrieved from Internet Jun. 3, 2020, URL: <https://readwrite.com/2019/09/11/amarey-a900-smart-robot-vacuum-cleaner-connected-navigational-and-versatile/> (6 pages) (Year: 2019).*

Eufy RoboVac 15C (on-line), no date available. Retrieved from Internet Jun. 3, 2020, URL: <https://www.amazon.com/eufy-Upgraded-Super-Thin-Self-Charging-Medium-Pile/dp/B07MPS81HR> (1 page).*

Liebert C30B Robot Vacuum Cleaner (on-line), no date available. Retrieved from Internet Jun. 3, 2020, URL: <https://www.newegg.com/black-liebert-c30b-e30-robot-vacuum-cleaner/p/0UH-0049-00012#> (5 pages).*

Proscenic 820P Robot Vacuum Cleaner (on-line), no date available. Retrieved from Internet Jun. 3, 2020, URL: <https://www.geekmaxi.com/en/robot-vacuum-cleaner-proscenic-820p-robot-vacuum-cleaner-with-wet-cleaning-function-eu-plug-1192.html> (13 pages).*

The Best Robot Vacuums (on-line), dated Nov. 6, 2019. Retrieved from Internet Jun. 3, 2020, URL: <https://www.wired.com/gallery/best-robot-vacuums/> (7 pages) (Year: 2019).*

* cited by examiner

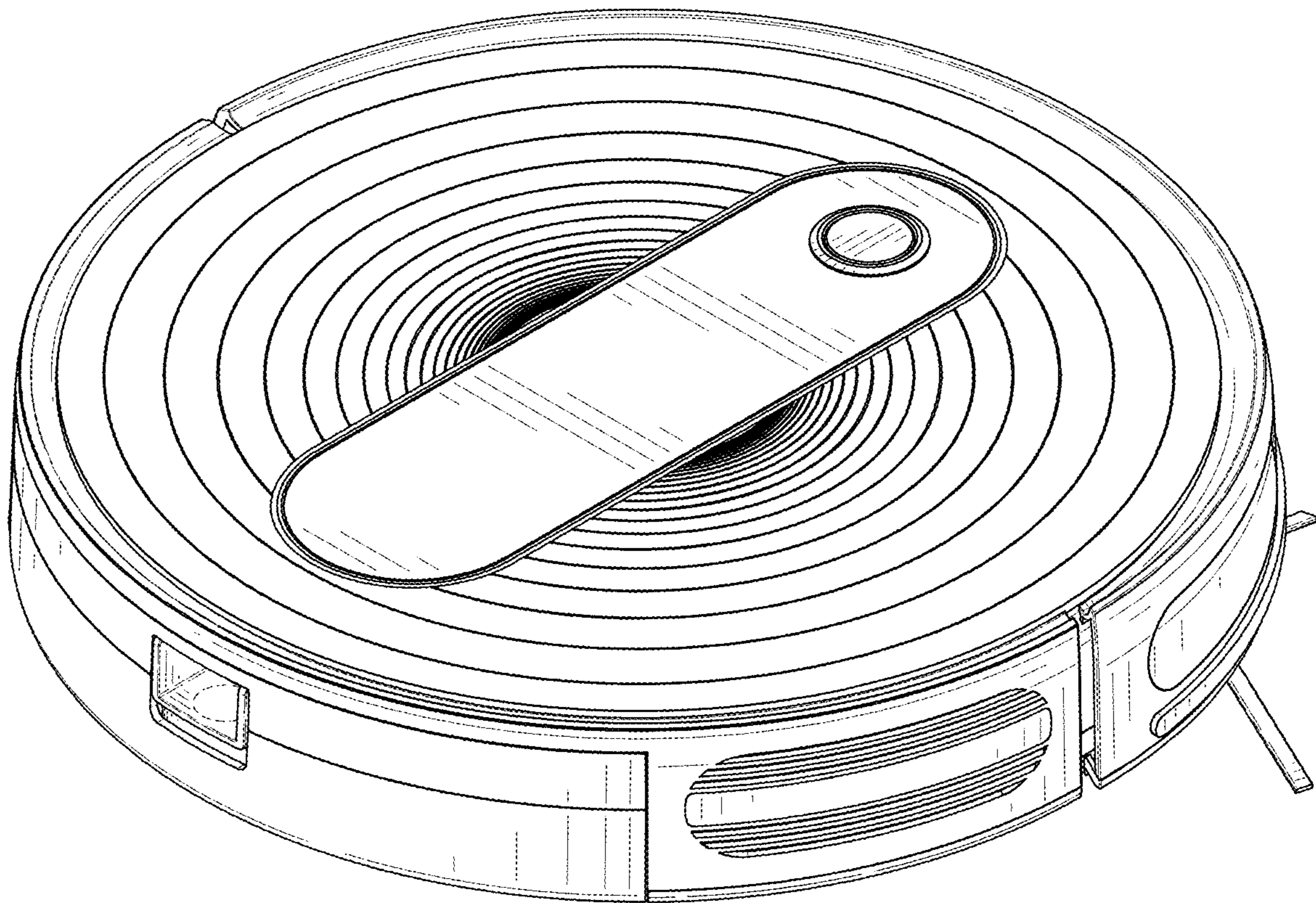


FIG. 1

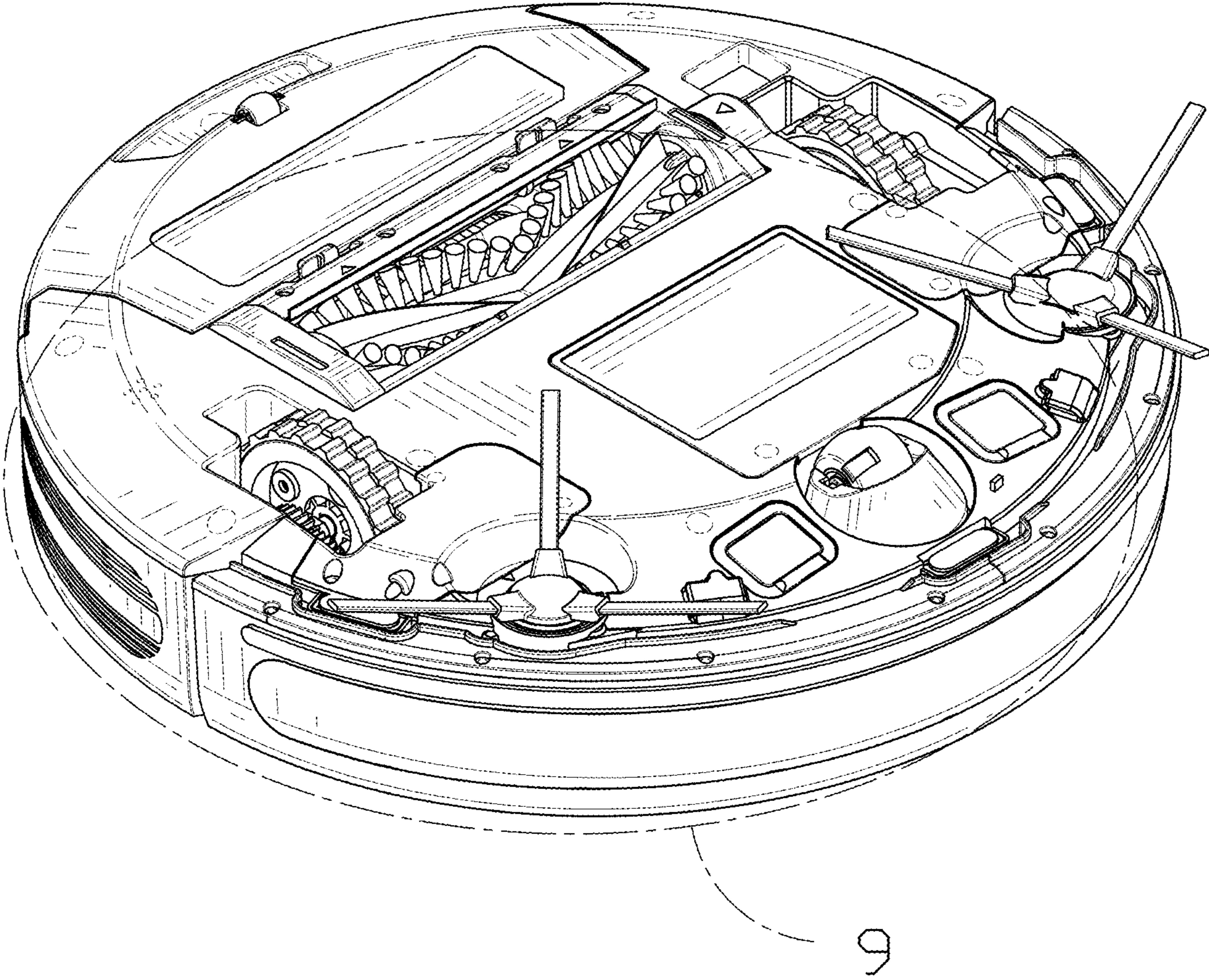


FIG. 2

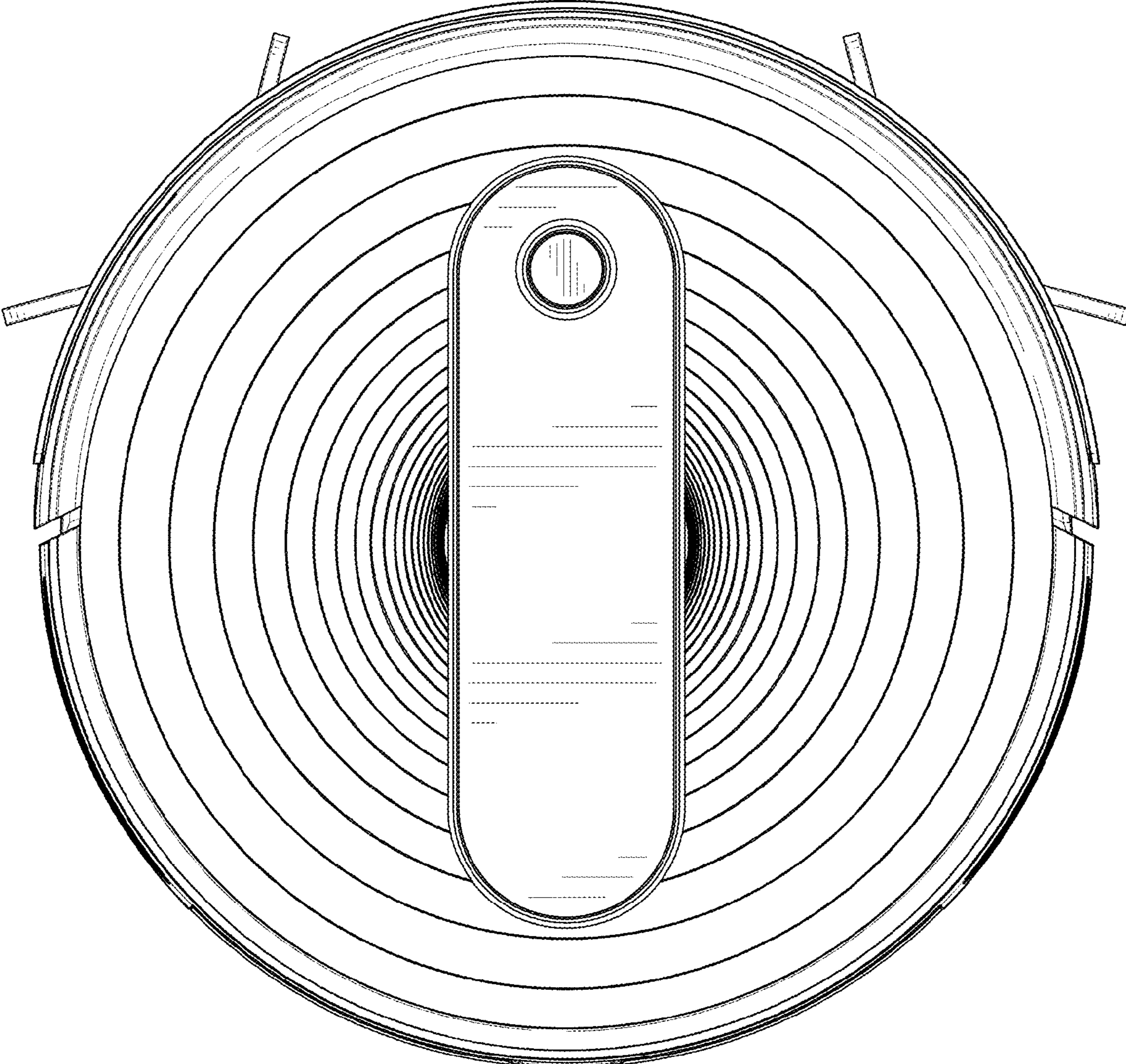


FIG. 3

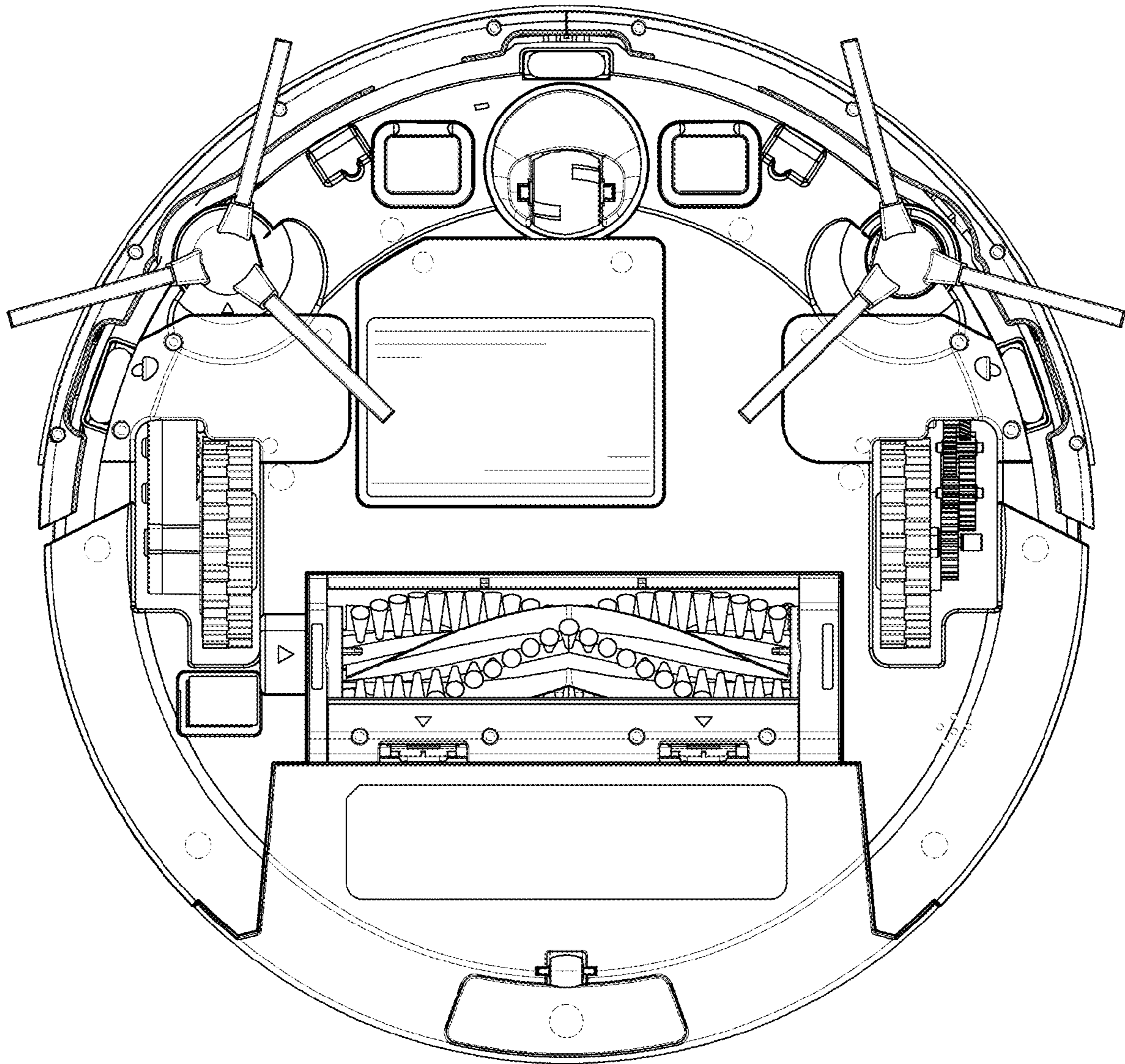


FIG. 4

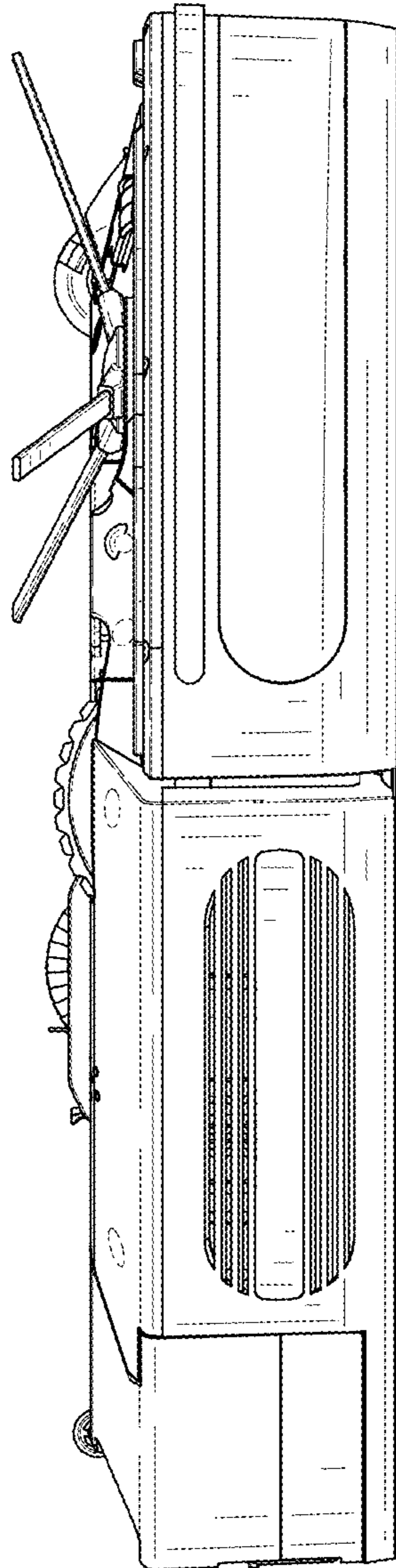


FIG. 5

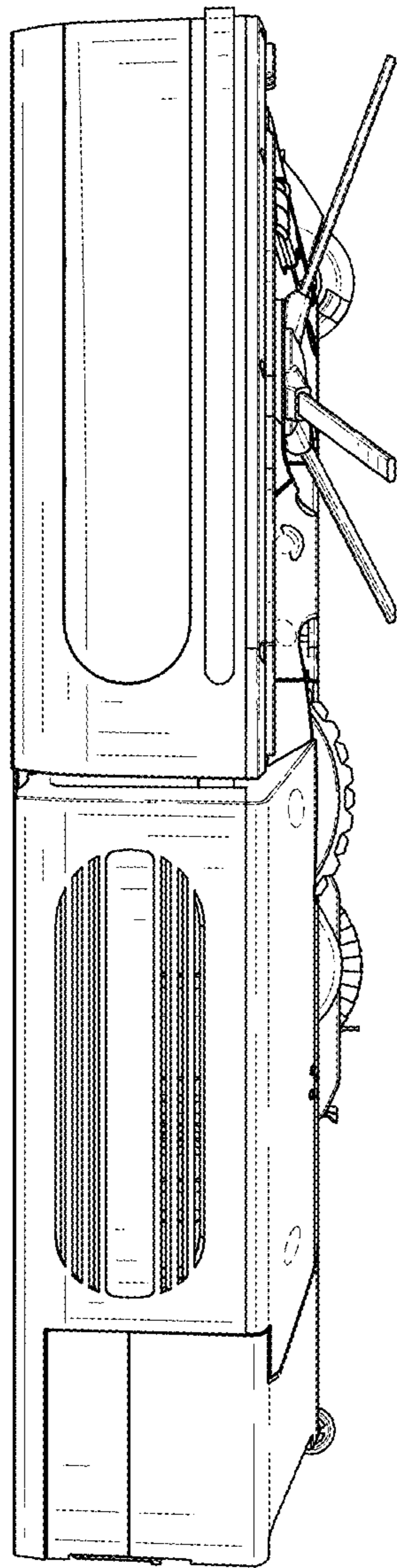


FIG. 6

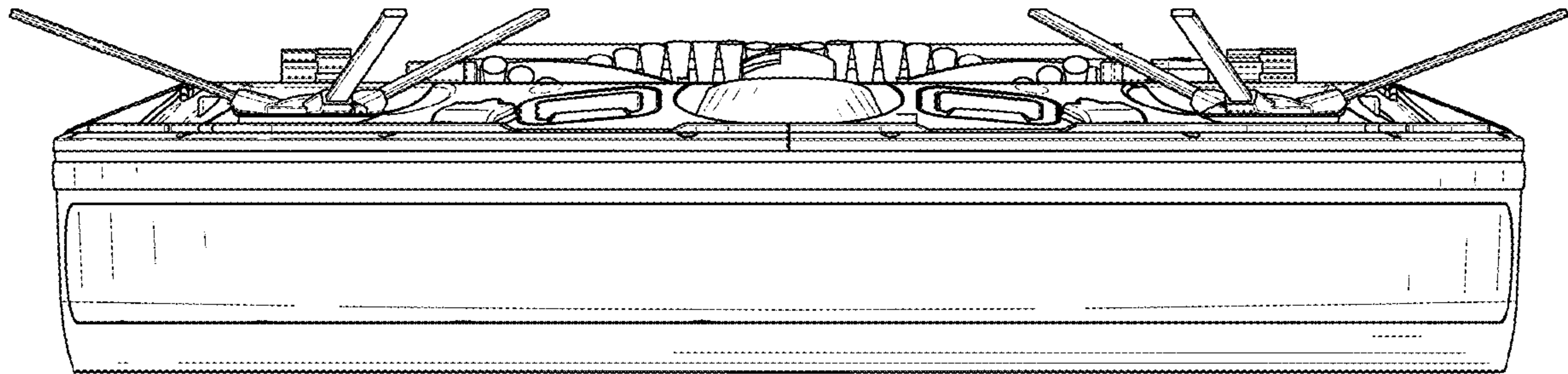


FIG. 7

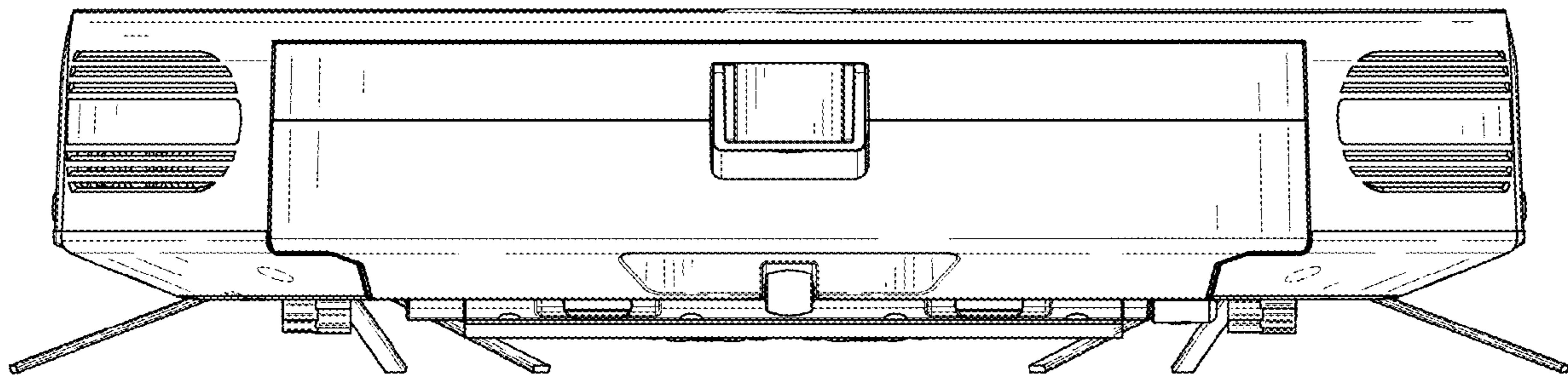


FIG. 8

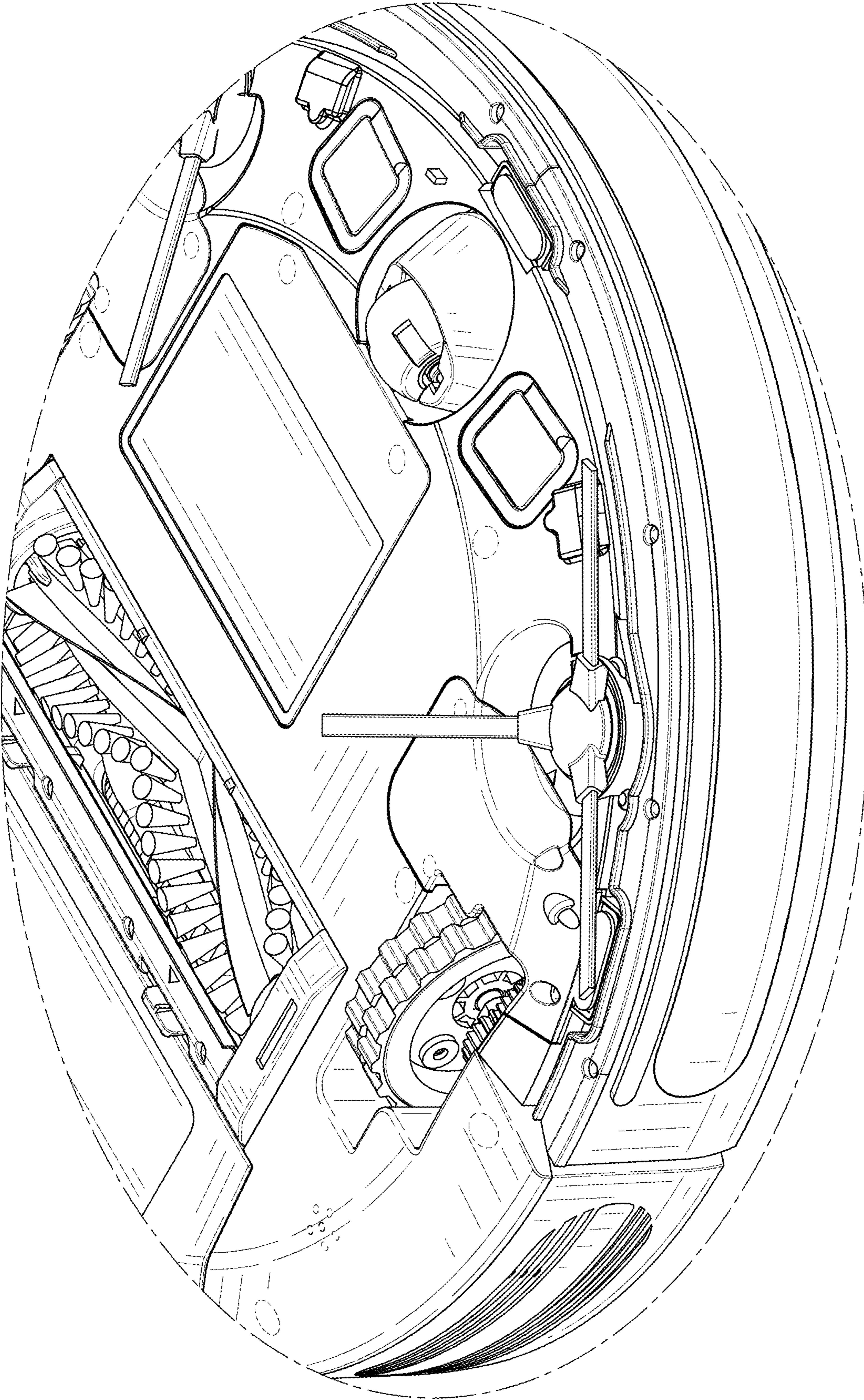


FIG. 9