



US00D903960S

(12) **United States Design Patent** (10) **Patent No.:** **US D903,960 S**
Yang (45) **Date of Patent:** **** Dec. 1, 2020**

(54) **PRESSURE WASHER**

FOREIGN PATENT DOCUMENTS

(71) Applicant: **Globe (Jiangsu) Co., Ltd., Jiangsu (CN)**

CN 304788799 * 8/2018

(72) Inventor: **Longfei Yang, Changzhou (CN)**

OTHER PUBLICATIONS

(73) Assignee: **Globe (Jiangsu) Co., Ltd., Jiangsu (CN)**

Domestic high pressure washer-lutian, Alibaba website 2019, https://nbmingou.en.alibaba.com/product/60701008643-805482528/Domestic_high_press... site visited Nov. 25, 2019.*

(**) Term: **15 Years**

Primary Examiner — John R Yeh

(21) Appl. No.: **29/644,517**

(74) *Attorney, Agent, or Firm* — Rooney IP, LLC

(22) Filed: **Apr. 18, 2018**

(57) **CLAIM**

(30) **Foreign Application Priority Data**

The ornamental design for a pressure washer, therefor as shown and described.

Oct. 18, 2017 (CN) 2017 3 0496700
Oct. 18, 2017 (CN) 2017 3 0497085

DESCRIPTION

(51) **LOC (12) Cl.** **15-05**

FIG. 1 is a front right perspective view of the pressure washer according to the invention.

(52) **U.S. Cl.**
USPC **D32/15**

FIG. 2 is a front left perspective view of the pressure washer according to the invention.

(58) **Field of Classification Search**
USPC D32/15-19, 50-52, 43; D8/70
CPC E04D 13/0765; A01G 20/47; A47L 11/30;
A47L 11/4066; A47L 11/4002; A47L
11/4011

FIG. 3 is a rear left perspective view of the pressure washer according to the invention.

FIG. 4 is a rear right perspective view of the pressure washer according to the invention.

See application file for complete search history.

FIG. 5 is a front view of the pressure washer according to the invention.

FIG. 6 is a rear view of the pressure washer according to the invention.

(56) **References Cited**

U.S. PATENT DOCUMENTS

4,432,472 A * 2/1984 Lamm A47L 11/1625
15/246
D496,503 S * 9/2004 Chen D32/16
D536,848 S * 2/2007 Shin D32/18
D556,959 S * 12/2007 Li D32/15
D559,481 S * 1/2008 Renner D32/15
D563,612 S * 3/2008 Li D32/15
D564,147 S * 3/2008 Li D32/15
D576,703 S * 9/2008 Nathan D23/225
D647,672 S * 10/2011 Alexander D32/15

FIG. 7 is a left side view of the pressure washer according to the invention.

FIG. 8 is a right side view of the pressure washer according to the invention.

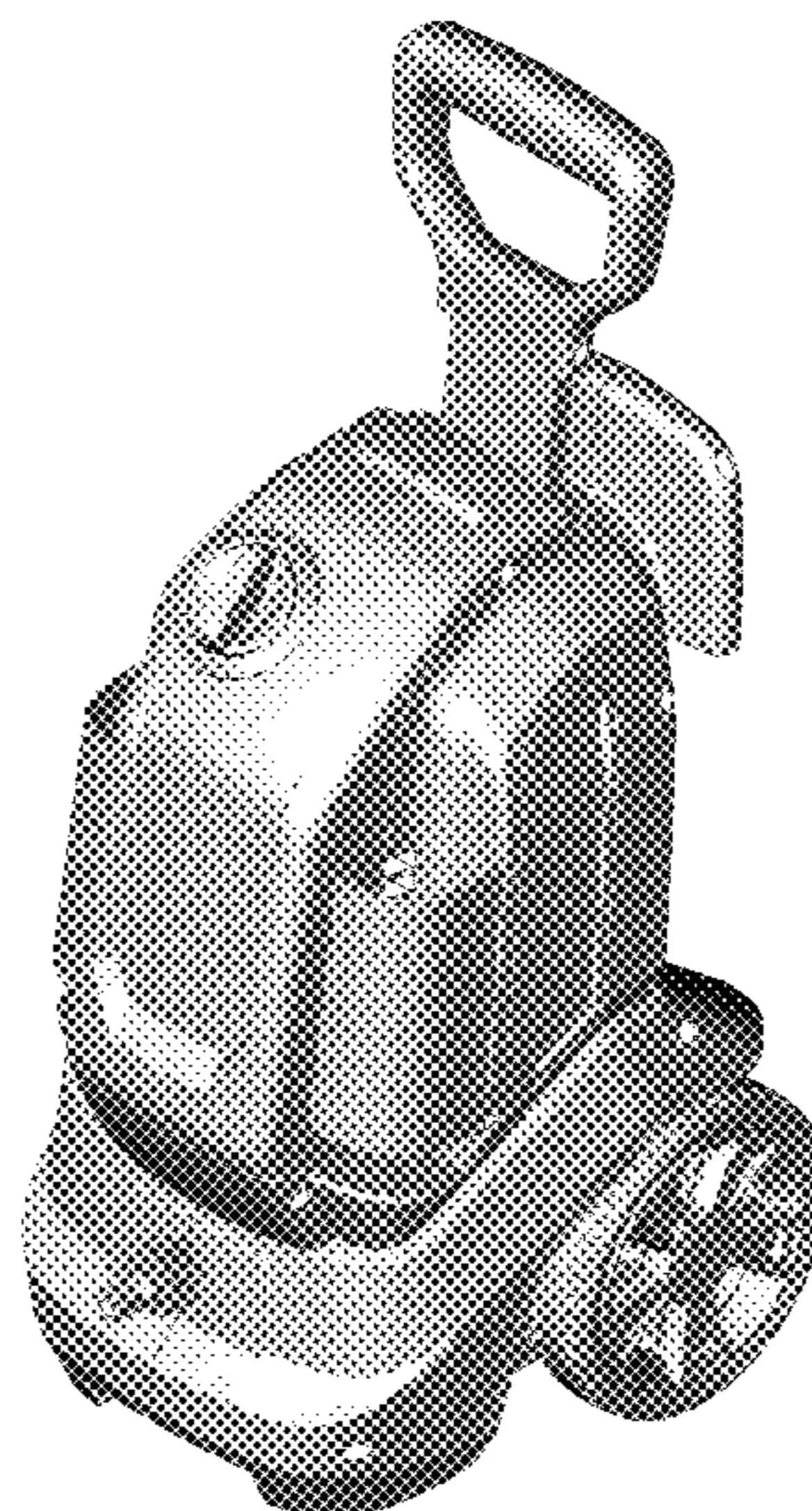
FIG. 9 is an enlarged top view of the pressure washer according to the invention; and,

FIG. 10 is an enlarged bottom view of the pressure washer according to the invention.

The broken lines in the figures illustrate portions of the pressure washer which form no part of the claimed design.

(Continued)

1 Claim, 10 Drawing Sheets



(56)

References Cited

U.S. PATENT DOCUMENTS

D648,081 S * 11/2011 Alexander D32/15
D649,308 S * 11/2011 Alexander D32/15
D660,525 S * 5/2012 Alexander D32/15
D675,794 S 2/2013 Chen
D696,824 S * 12/2013 Dammkoehler D32/15
8,719,998 B1 * 5/2014 Huffman A47L 11/34
15/319
D739,099 S * 9/2015 Tatic D32/15
D739,100 S * 9/2015 Tatic D32/15
D743,643 S * 11/2015 Casey D32/15
D778,011 S * 1/2017 Alexander D32/16
D781,511 S * 3/2017 Meyer D32/16
D824,612 S * 7/2018 Alexander D32/16
D824,613 S * 7/2018 Alexander D32/16
D838,926 S * 1/2019 Delgado D32/16
D841,906 S * 2/2019 Weinberg D32/16
2015/0245758 A1 * 9/2015 Wall A47L 11/4088
15/320

* cited by examiner

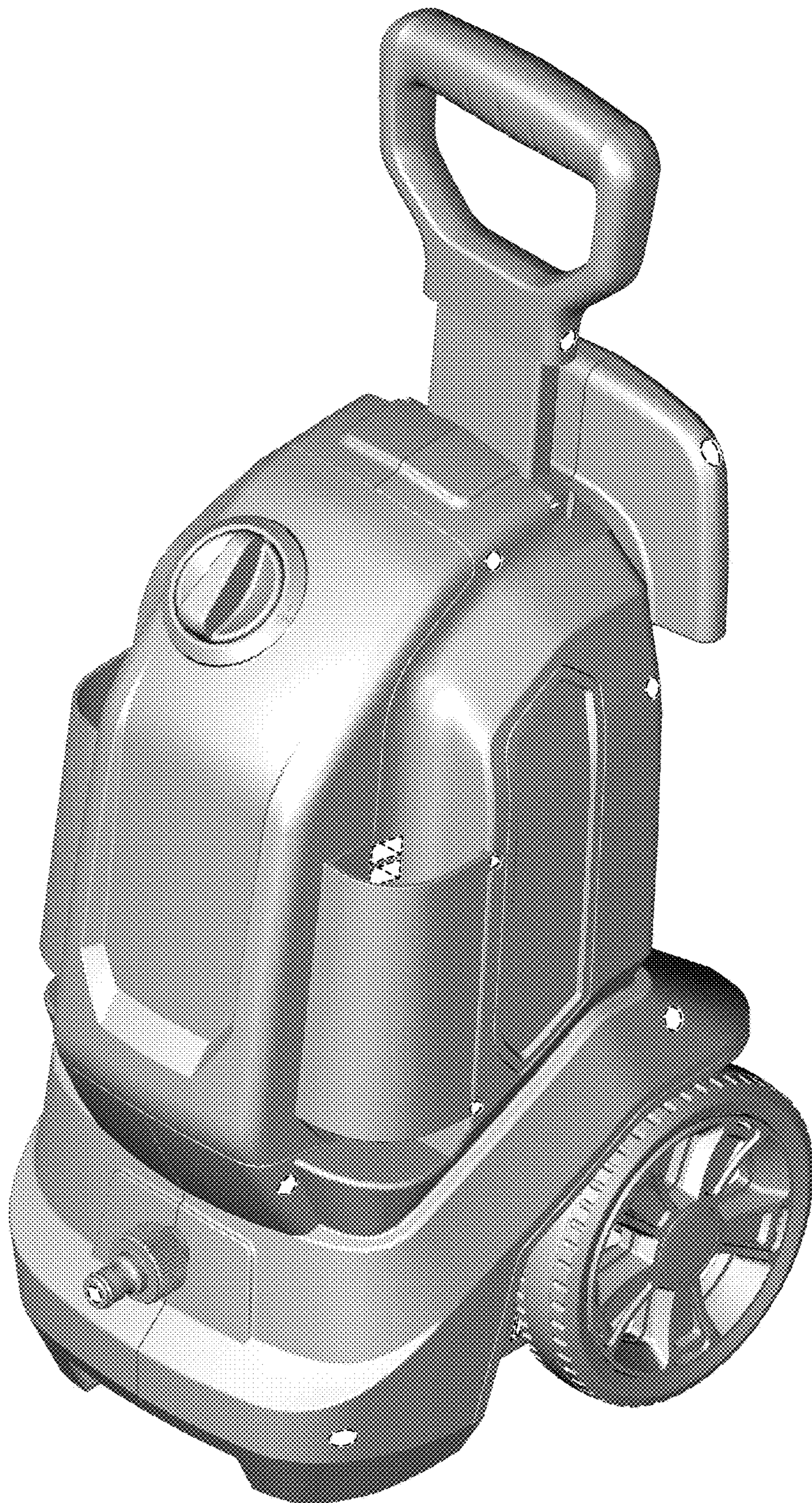


FIG. 1

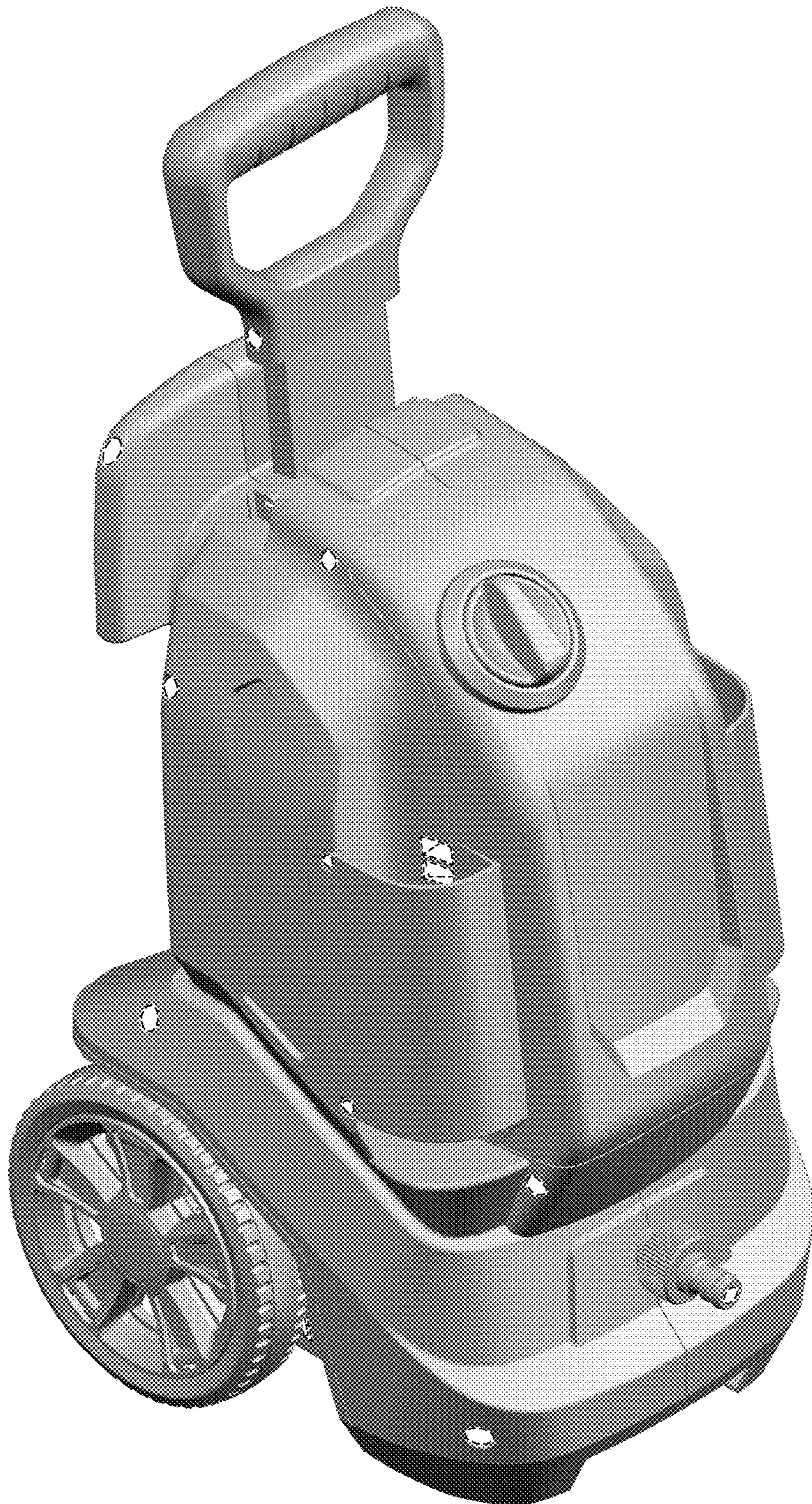


FIG. 2

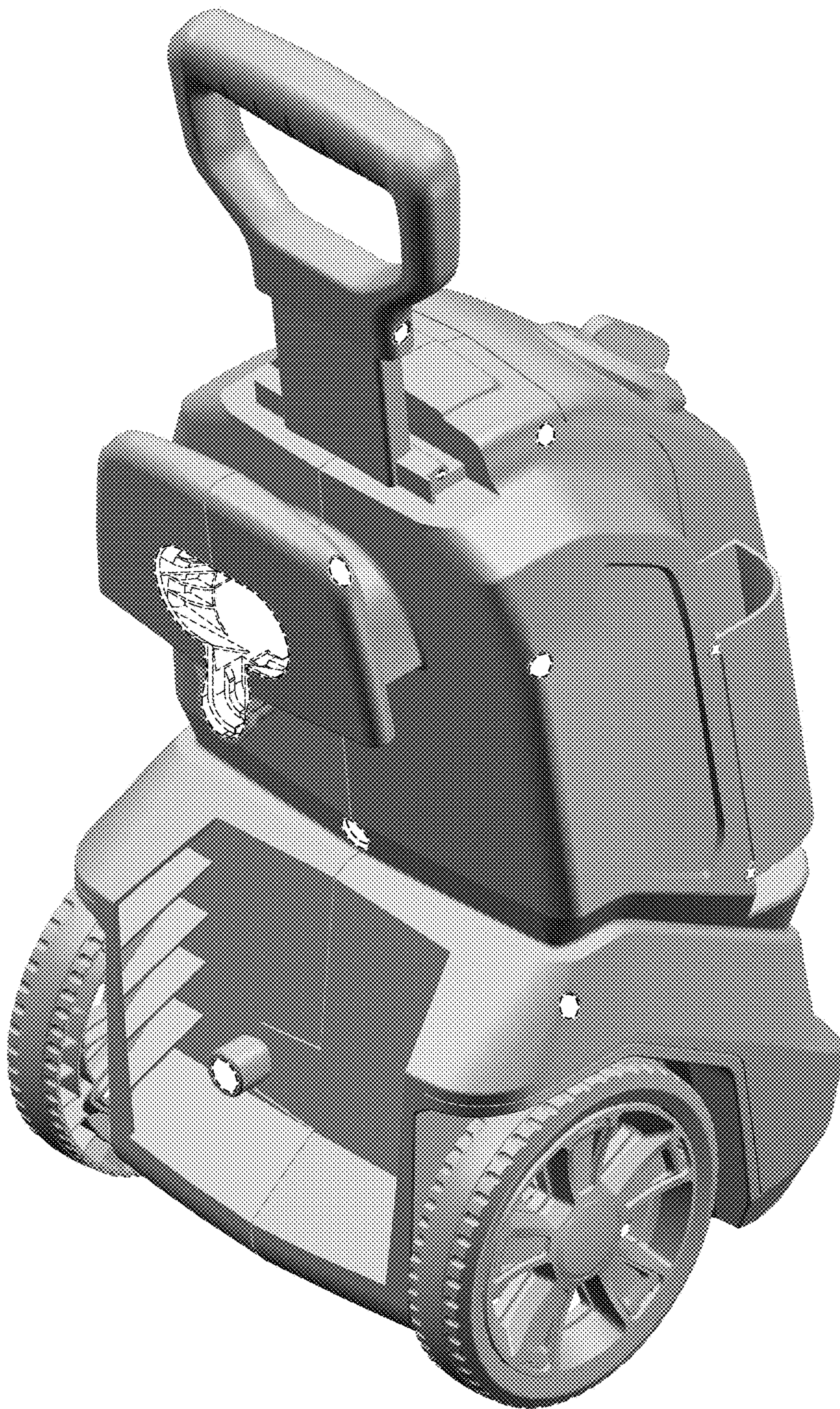


FIG. 3

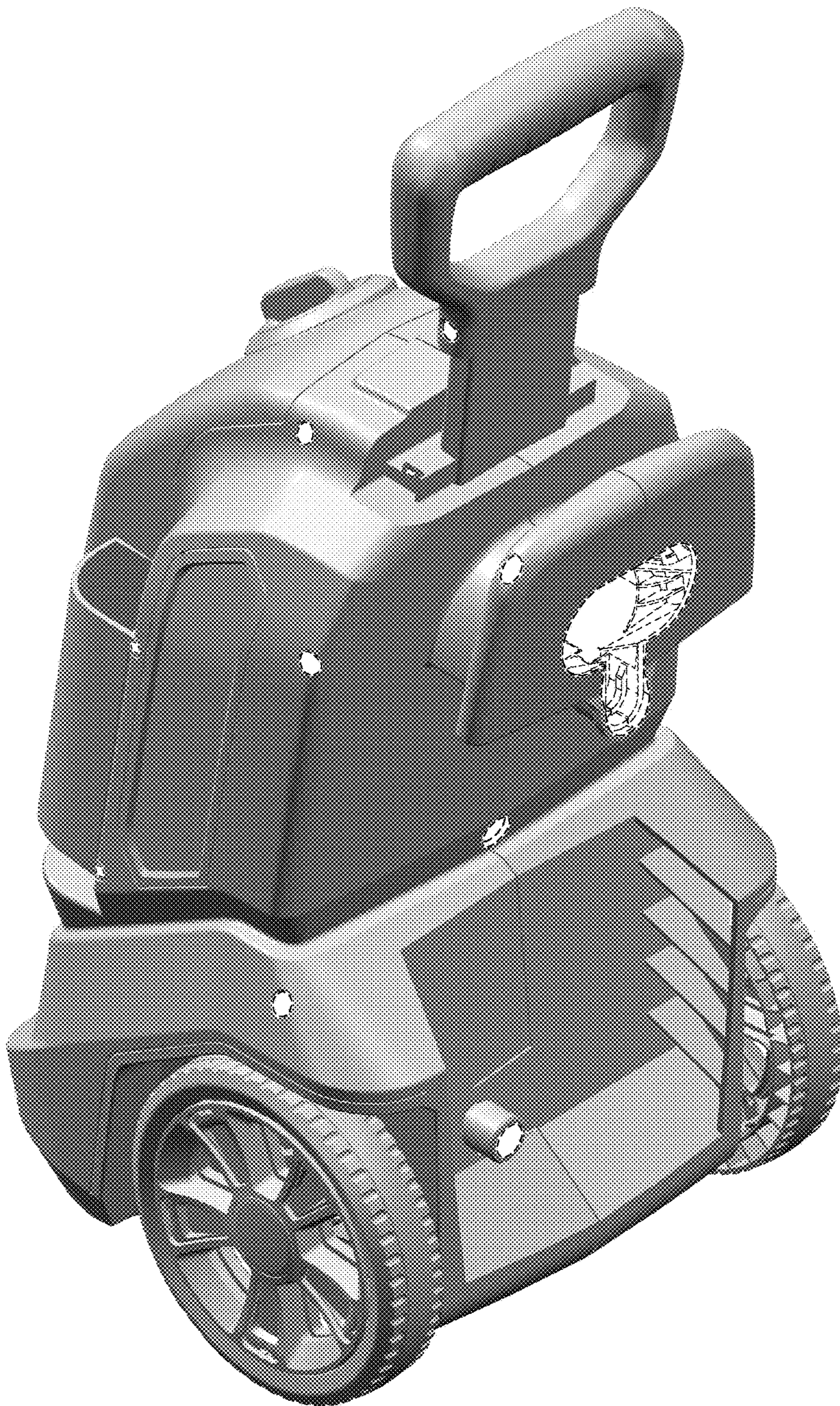


FIG. 4



FIG. 5

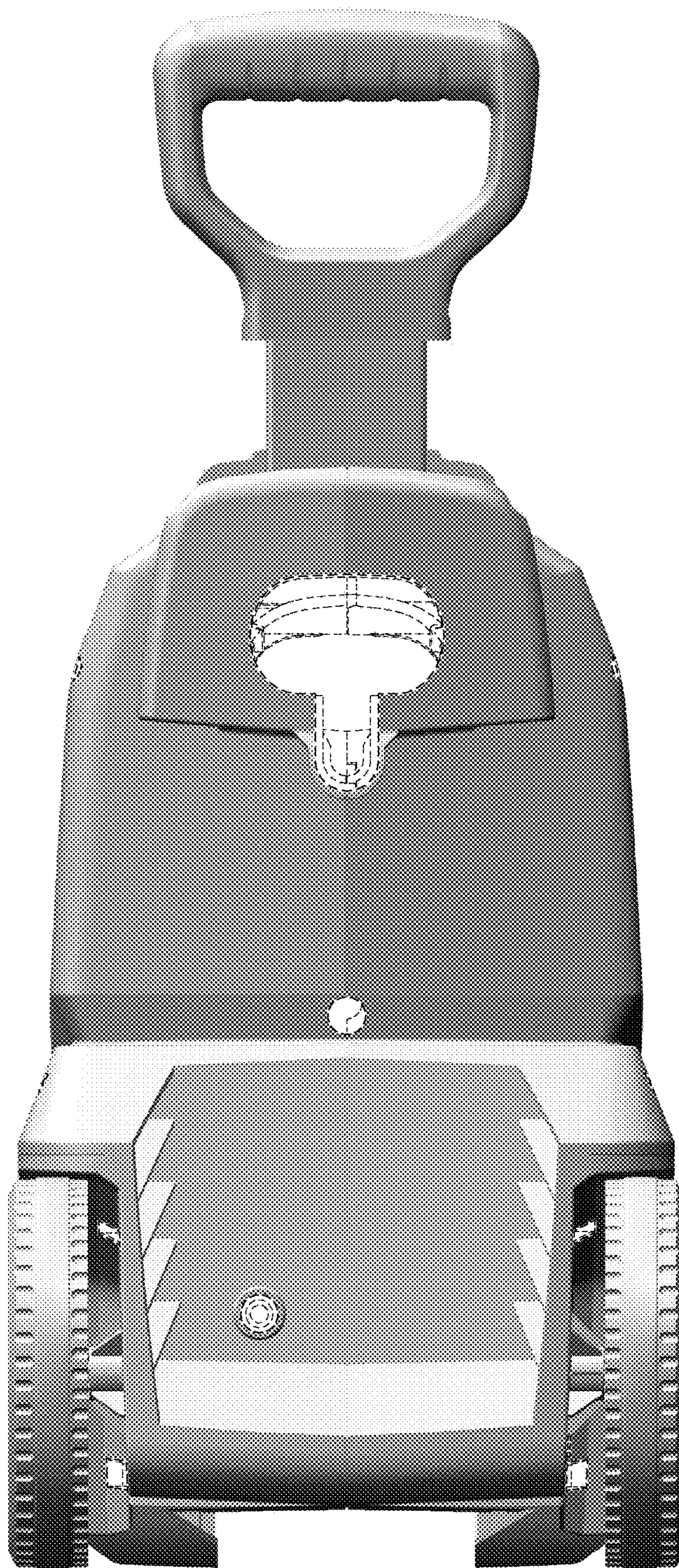


FIG. 6

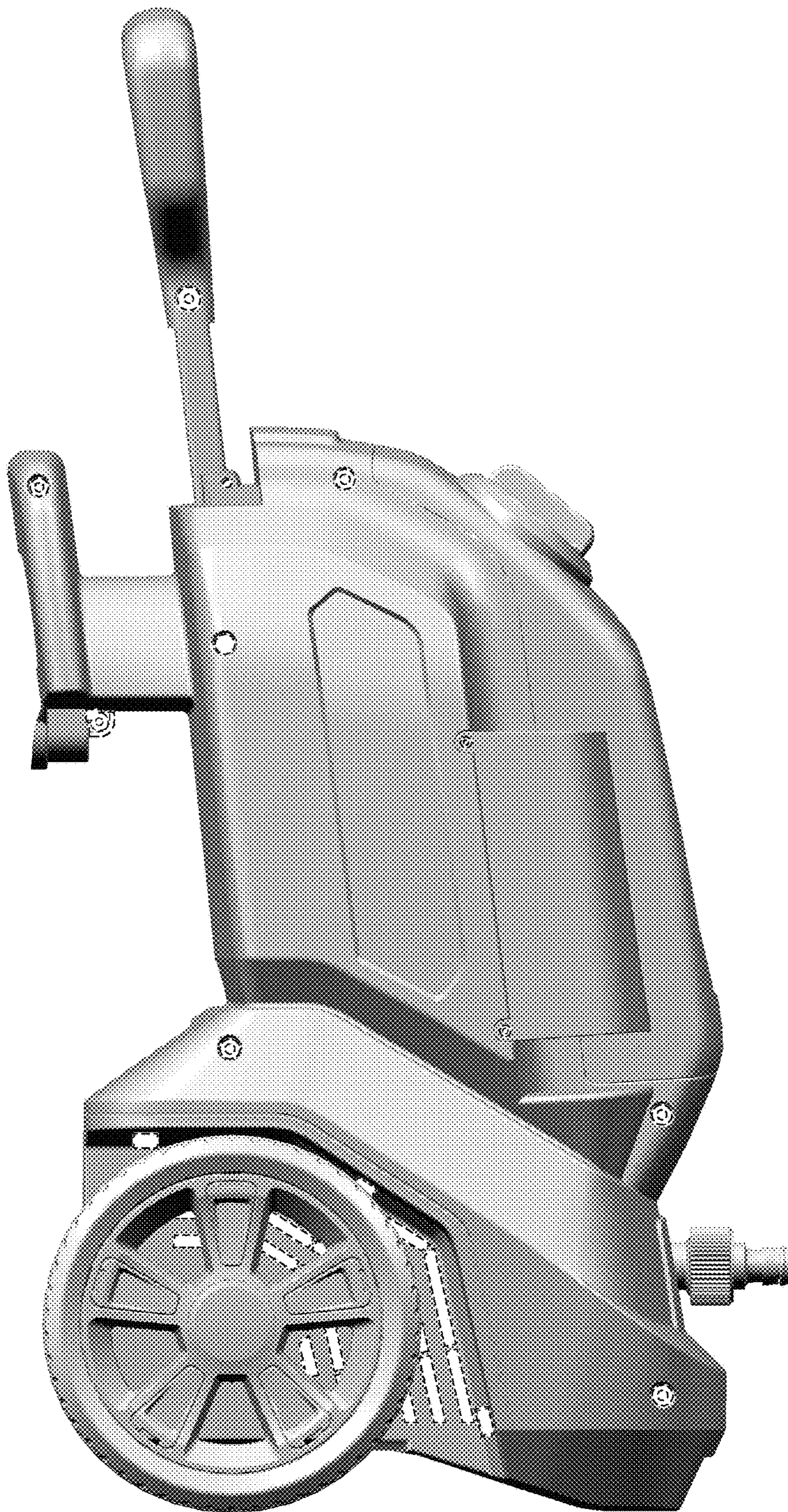


FIG. 7

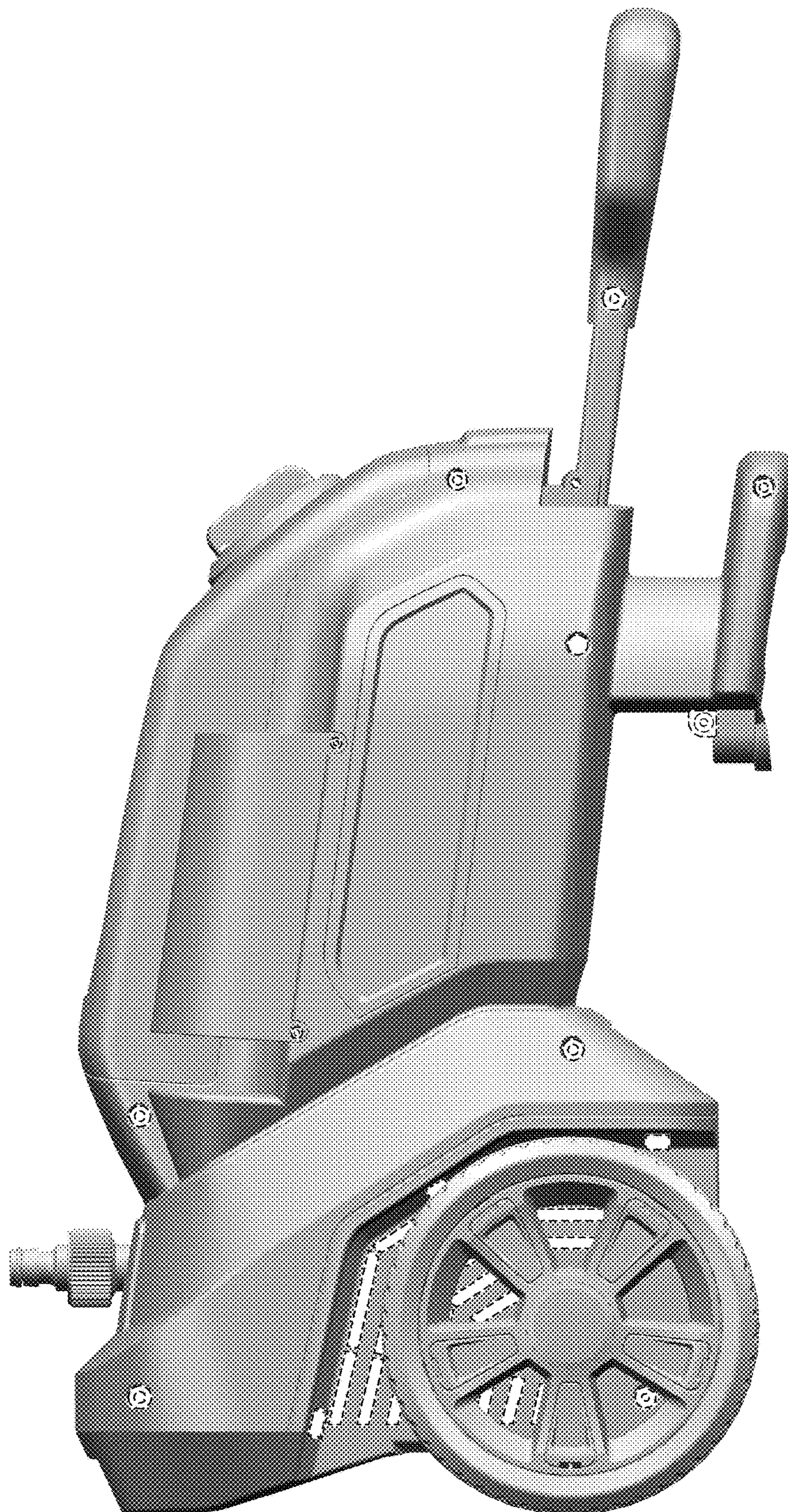


FIG. 8



FIG. 9

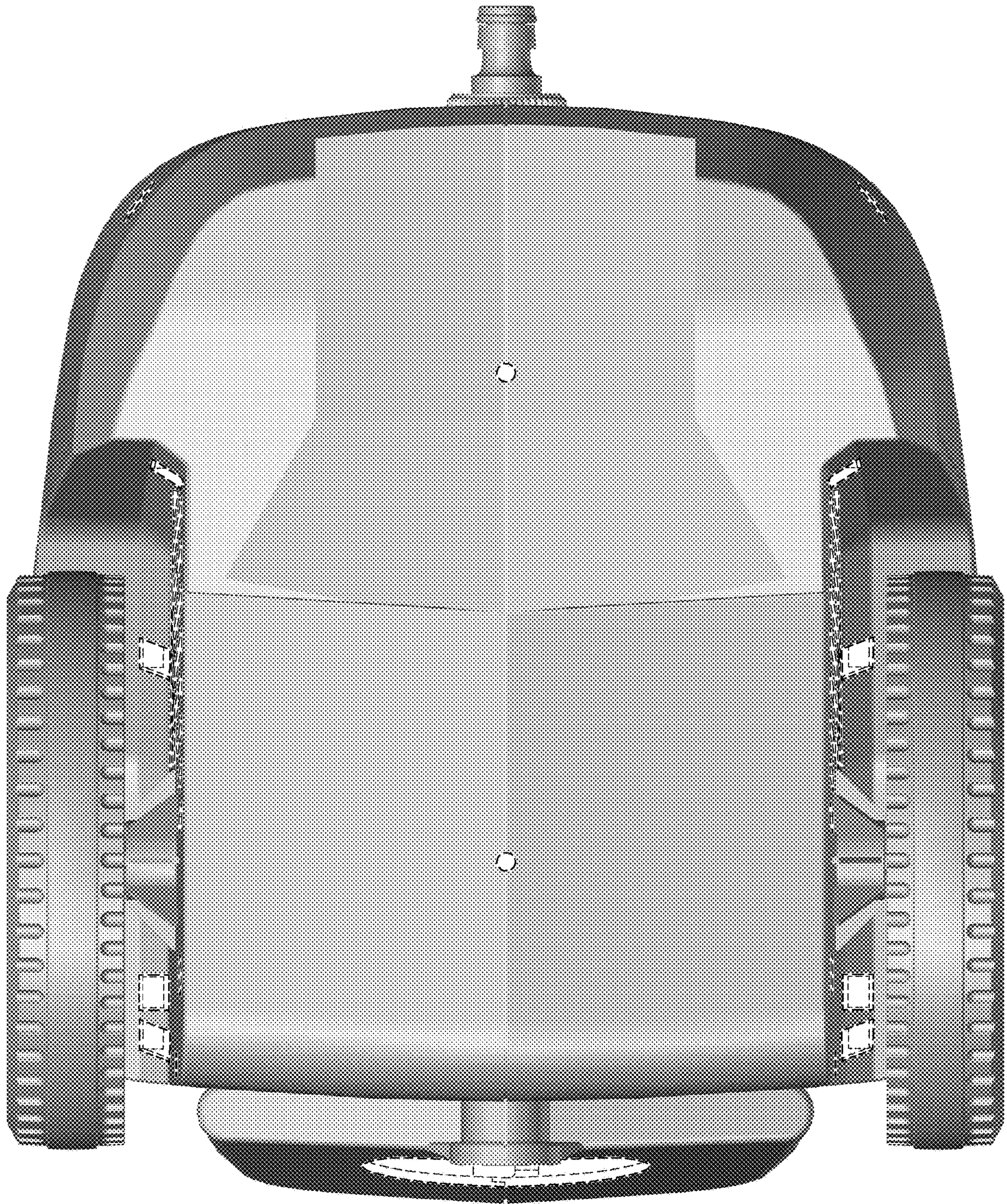


FIG. 10