



US00D903956S

(12) **United States Design Patent** (10) **Patent No.:** **US D903,956 S**  
**Johnes** (45) **Date of Patent:** **\*\* Dec. 1, 2020**

(54) **DISPOSABLE LINER FOR AN ANIMAL LITTER BOX**

(71) Applicant: **Alfa-Pet Inc.**, St. Louis, MO (US)

(72) Inventor: **Martin A. Johnes**, Godfrey, IL (US)

(73) Assignee: **Alfa-Pet Inc.**, St. Louis, MO (US)

(\*\*) Term: **15 Years**

(21) Appl. No.: **29/624,971**

(22) Filed: **Nov. 6, 2017**

(51) **LOC (12) Cl.** ..... **30-99**

(52) **U.S. Cl.**  
USPC ..... **D30/161**

(58) **Field of Classification Search**  
USPC ..... D30/158-161; D3/304; D9/702-706  
CPC .... A01K 1/011; A01K 1/0107; A01K 1/0125;  
A01K 1/0121; A47K 11/02; A47K 11/06;  
A47K 13/00; A47K 13/06; A47K 13/14  
See application file for complete search history.

(56) **References Cited**

U.S. PATENT DOCUMENTS

4,279,217	A	7/1981	Behringer	
4,615,300	A	10/1986	McDonough	
4,628,863	A *	12/1986	Eichenauer	A01K 1/0125 119/168
4,813,374	A *	3/1989	Sides	A01K 1/0107 119/170
4,836,141	A	6/1989	Whitfield	
5,078,099	A *	1/1992	Balson	B65D 5/3642 119/168
5,121,712	A *	6/1992	Schulein, Jr.	A01K 1/0114 119/167

(Continued)

OTHER PUBLICATIONS

Modkat Litter Box Perfect Fit Reusable Liner, posted at amazon.com, earliest date posted on Oct. 29, 2015, [online], acquired on

Mar. 16, 2019. Available from Internet, <URL:https://www.amazon.com/Modkat-Litter-Perfect-Reusable-Handles/dp/B0054IJX92/ref=cm\_cr\_arp\_d\_product\_top?ie=UTF8> (Year: 2015).\*

*Primary Examiner* — Sheryl Lane

*Assistant Examiner* — Aula Soroush

(74) *Attorney, Agent, or Firm* — Armstrong Teasdale LLP

(57) **CLAIM**

I claim the ornamental design for a disposable liner for an animal litter box, as shown and described.

**DESCRIPTION**

FIG. 1 is a perspective view of a first embodiment of a disposable liner for an animal litter box, showing my new design.

FIG. 2 is a top plan view thereof.

FIG. 3 is a bottom plan view thereof.

FIG. 4 is a front elevation view thereof.

FIG. 5 is a rear elevation view thereof.

FIG. 6 is a right side elevation view thereof.

FIG. 7 is a left side elevation view thereof.

FIG. 8 is a top plan view thereof, shown in a collapsed configuration.

FIG. 9 is a bottom plan view thereof, shown in a collapsed configuration.

FIG. 10 is a perspective view of a second embodiment of a disposable liner for an animal litter box, showing my new design.

FIG. 11 is a bottom plan view thereof.

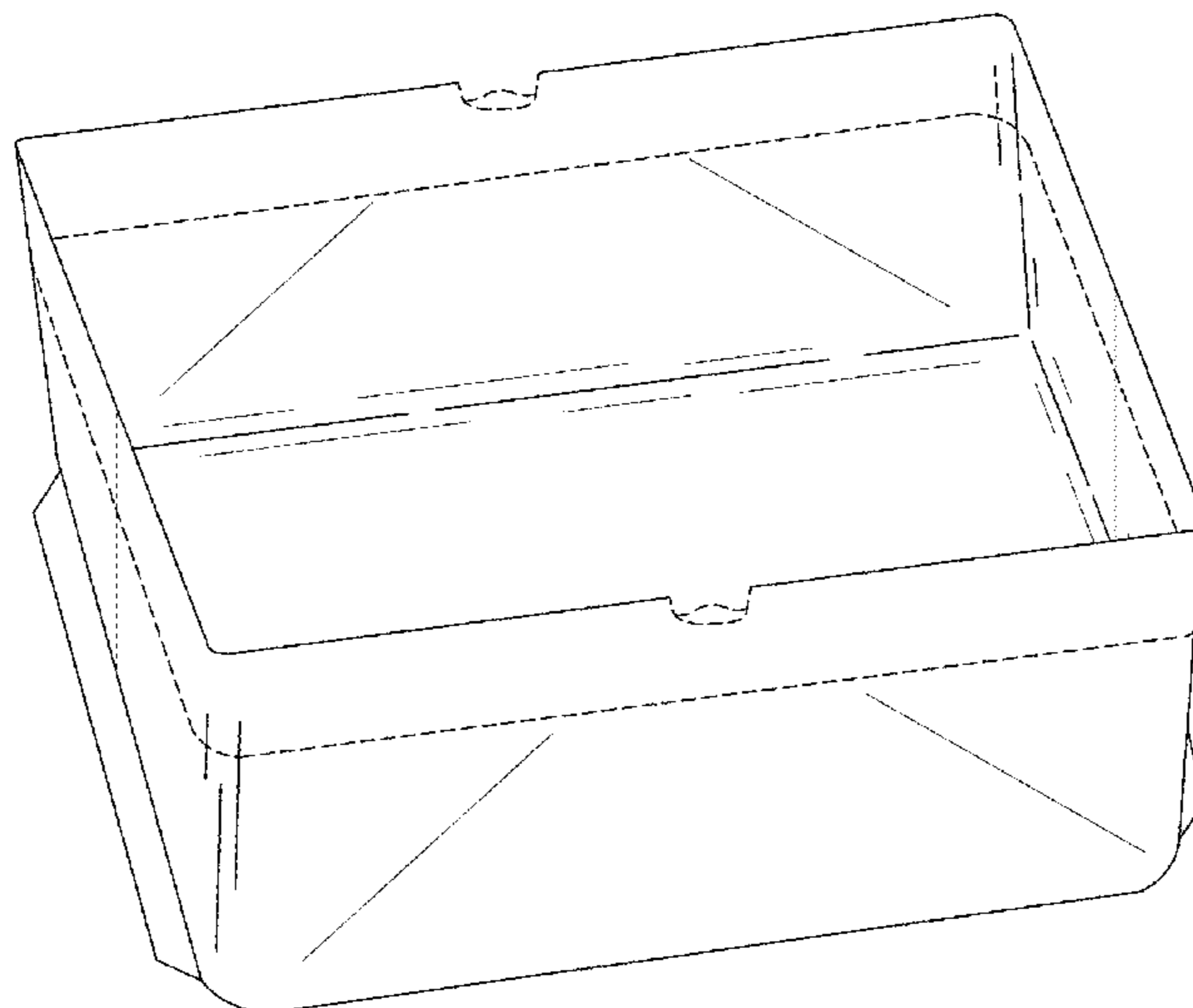
FIG. 12 is a front elevation view thereof.

FIG. 13 is a rear elevation view thereof; and,

FIG. 14 is a bottom plan view thereof, shown in a collapsed configuration.

The broken lines in the drawings illustrate portions of the disposable liner for an animal litter box that form no part of the claimed design. The diagonal sinuous lines in the drawings indicate surfaces of the disposable liner for an animal litter box that are formed of a flexible material.

**1 Claim, 14 Drawing Sheets**





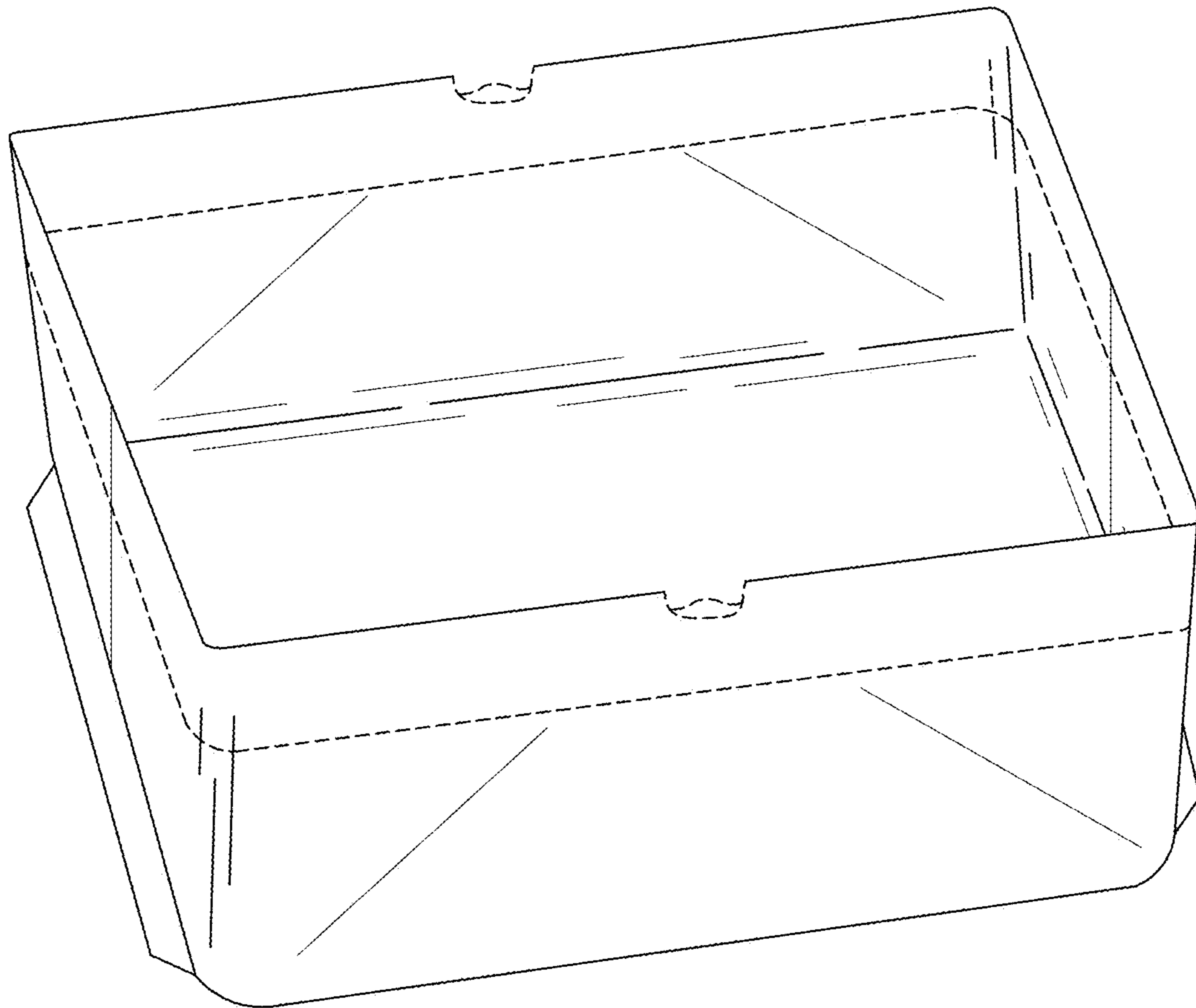


FIG. 1

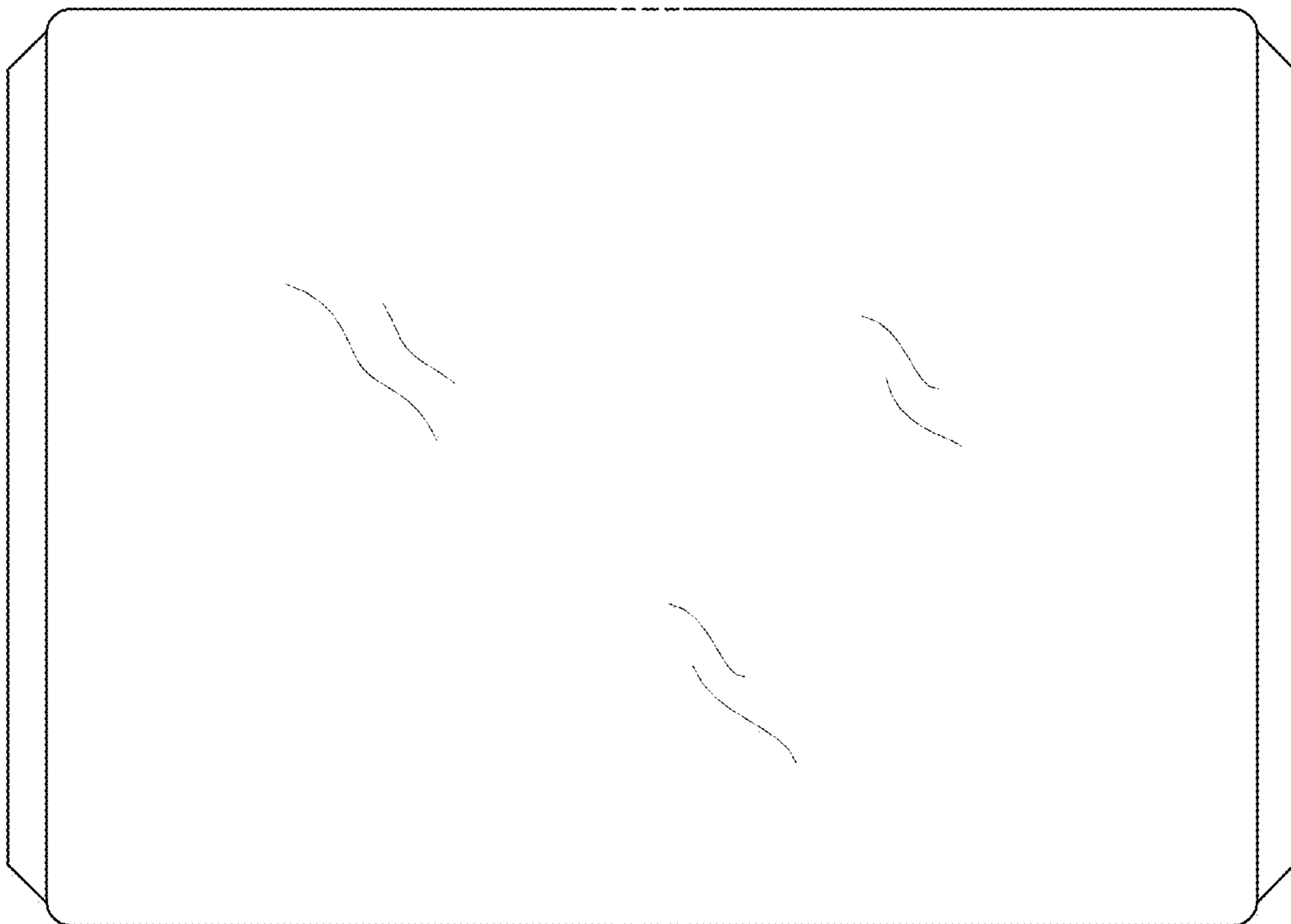


FIG. 2

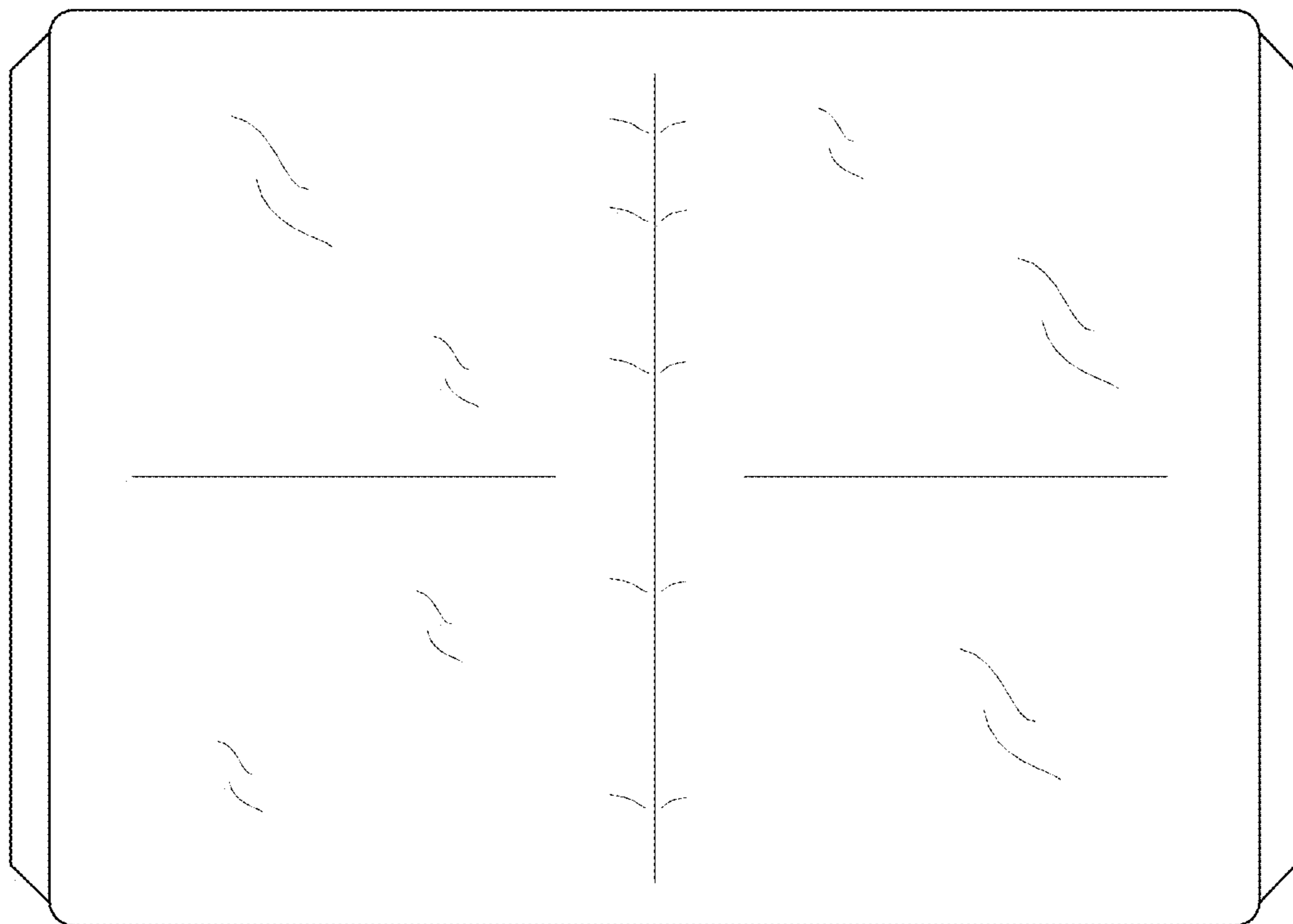


FIG. 3

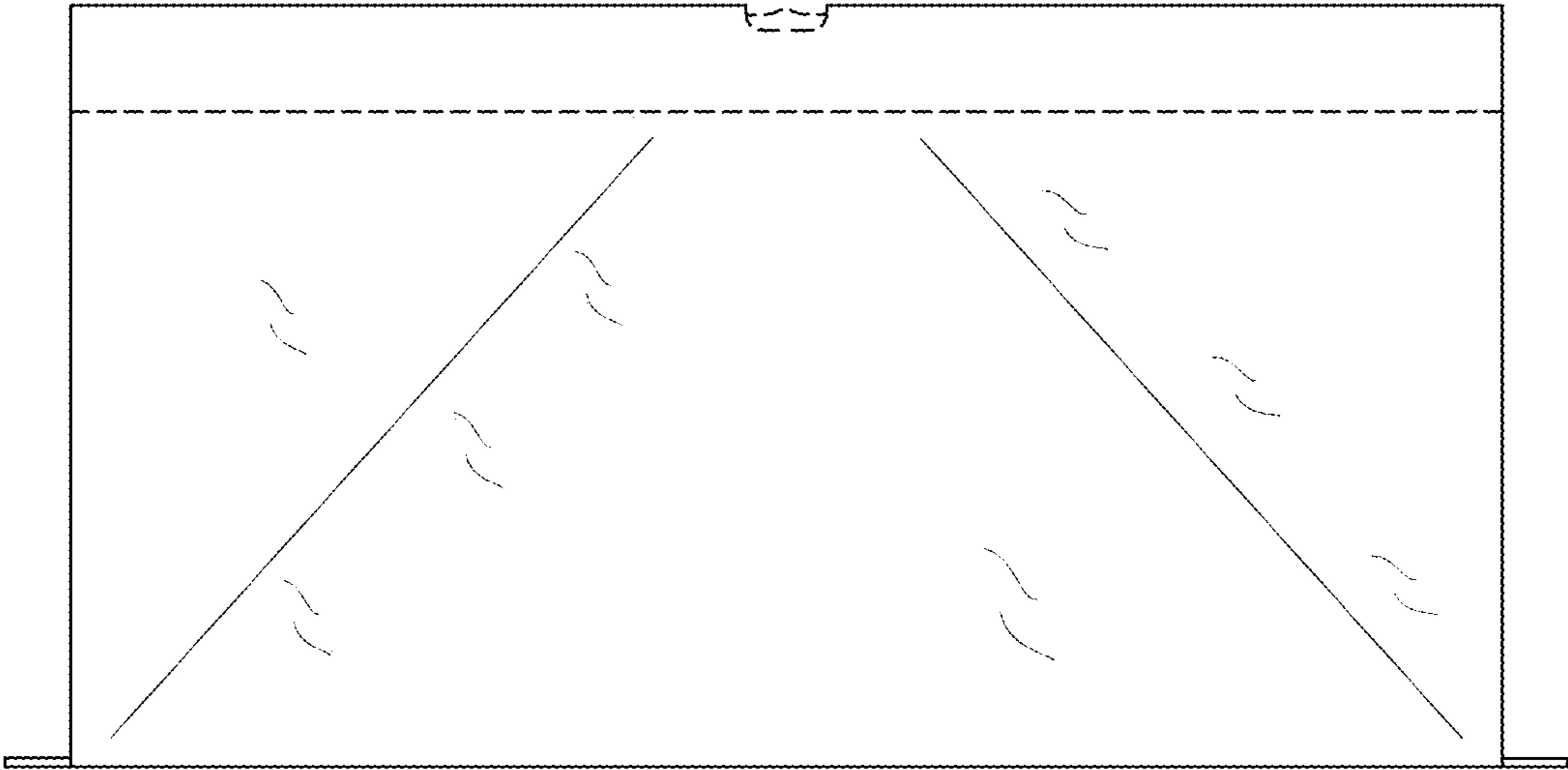


FIG. 4

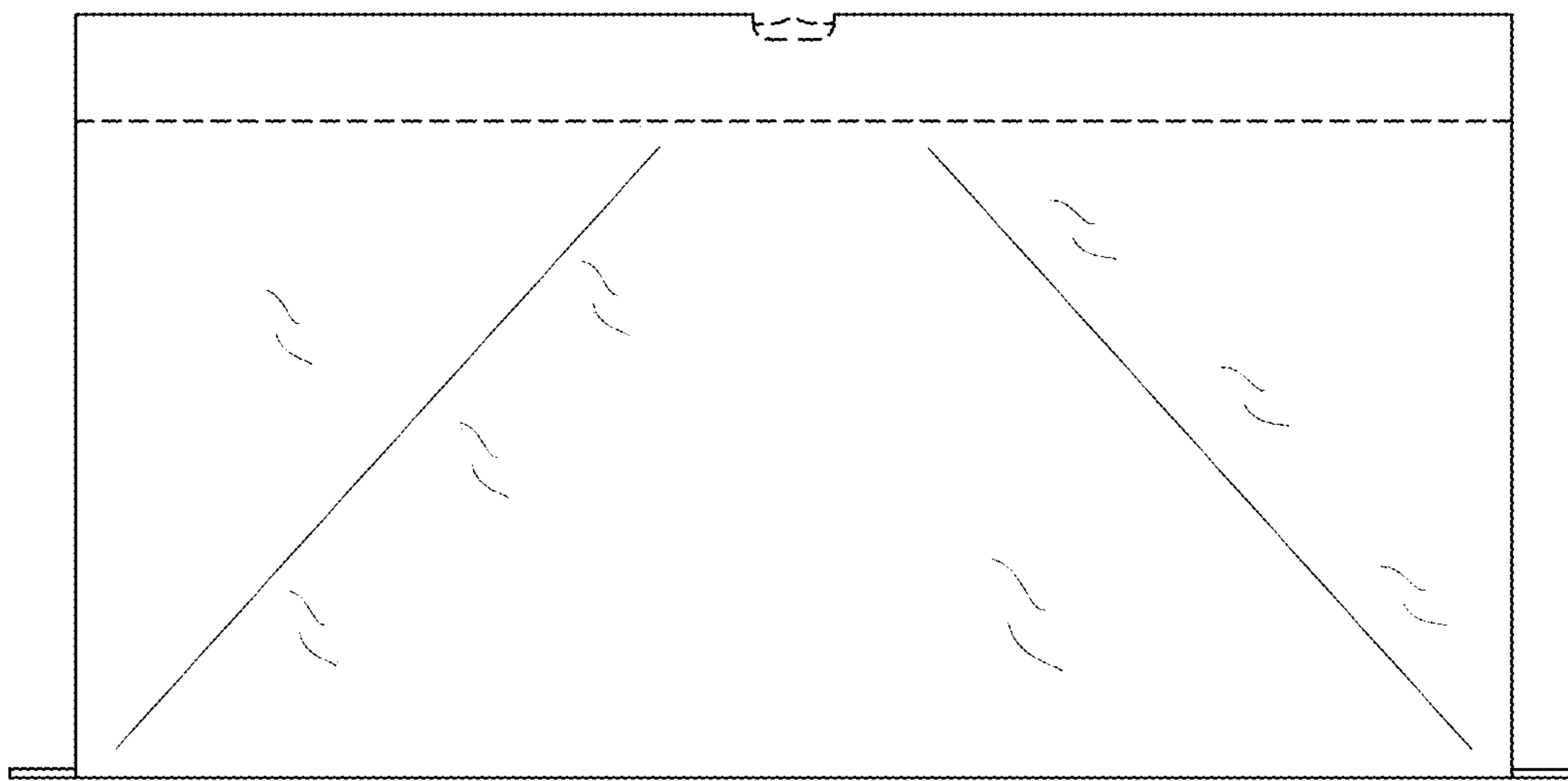


FIG. 5

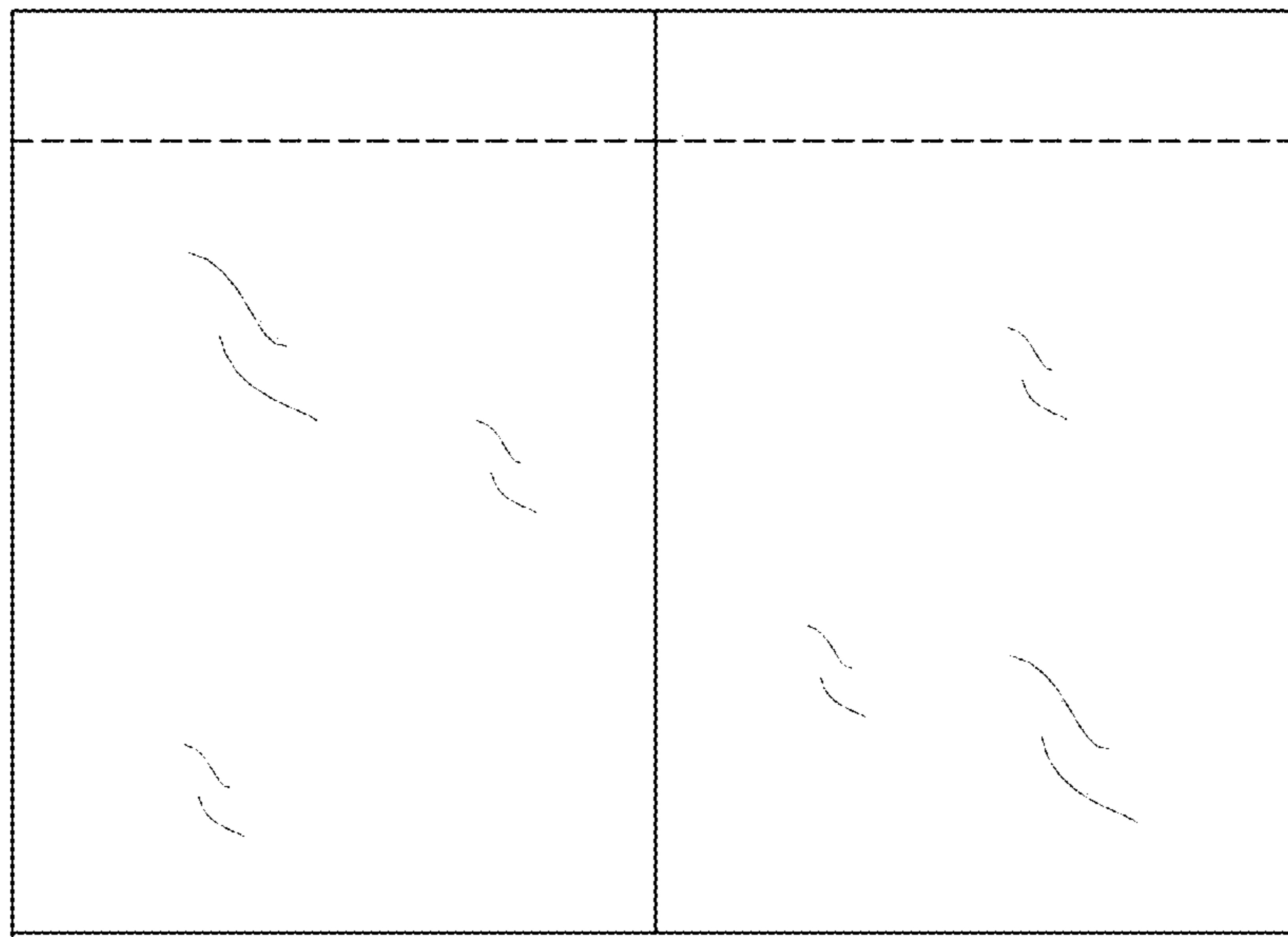


FIG. 6



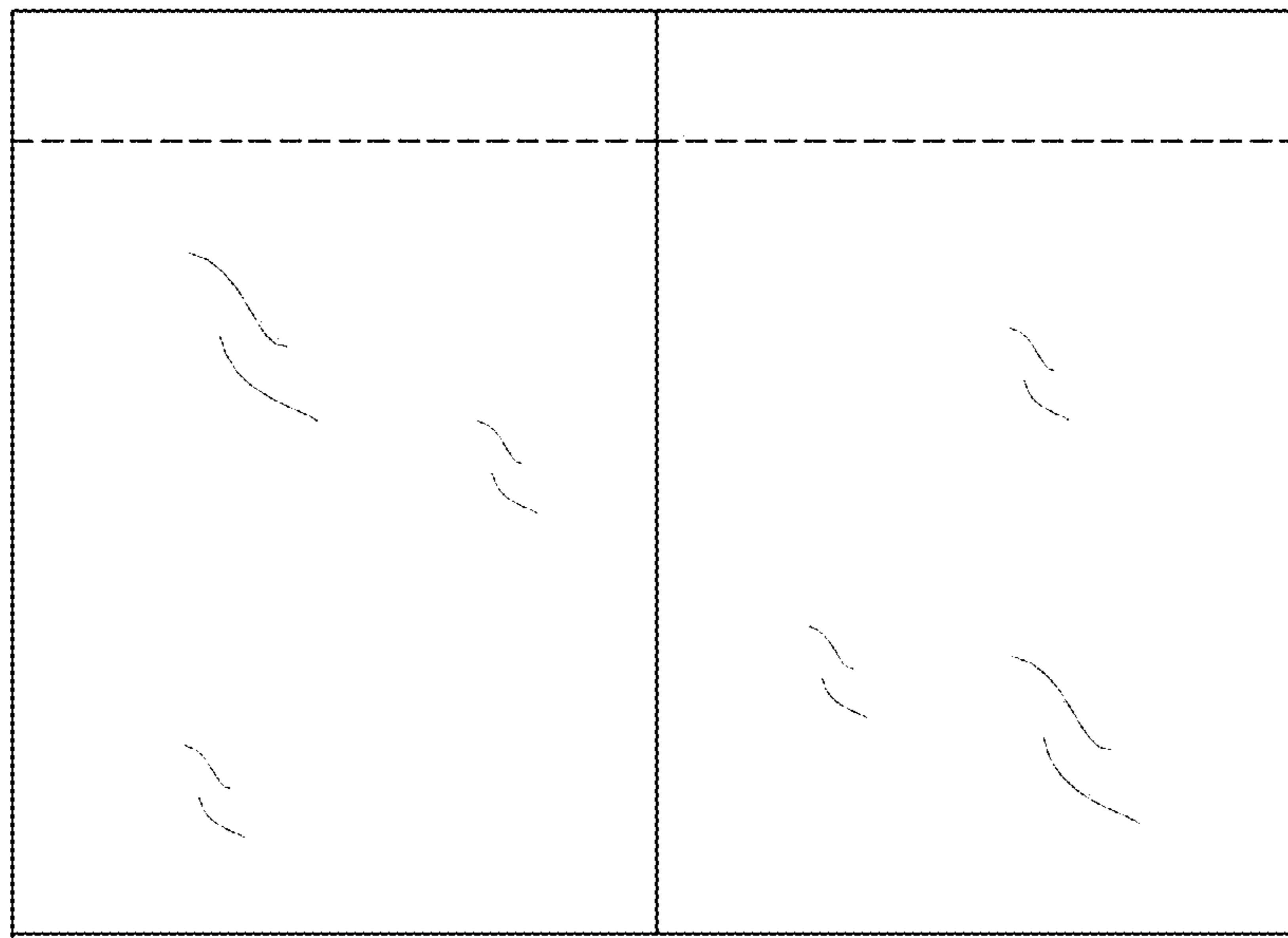


FIG. 7

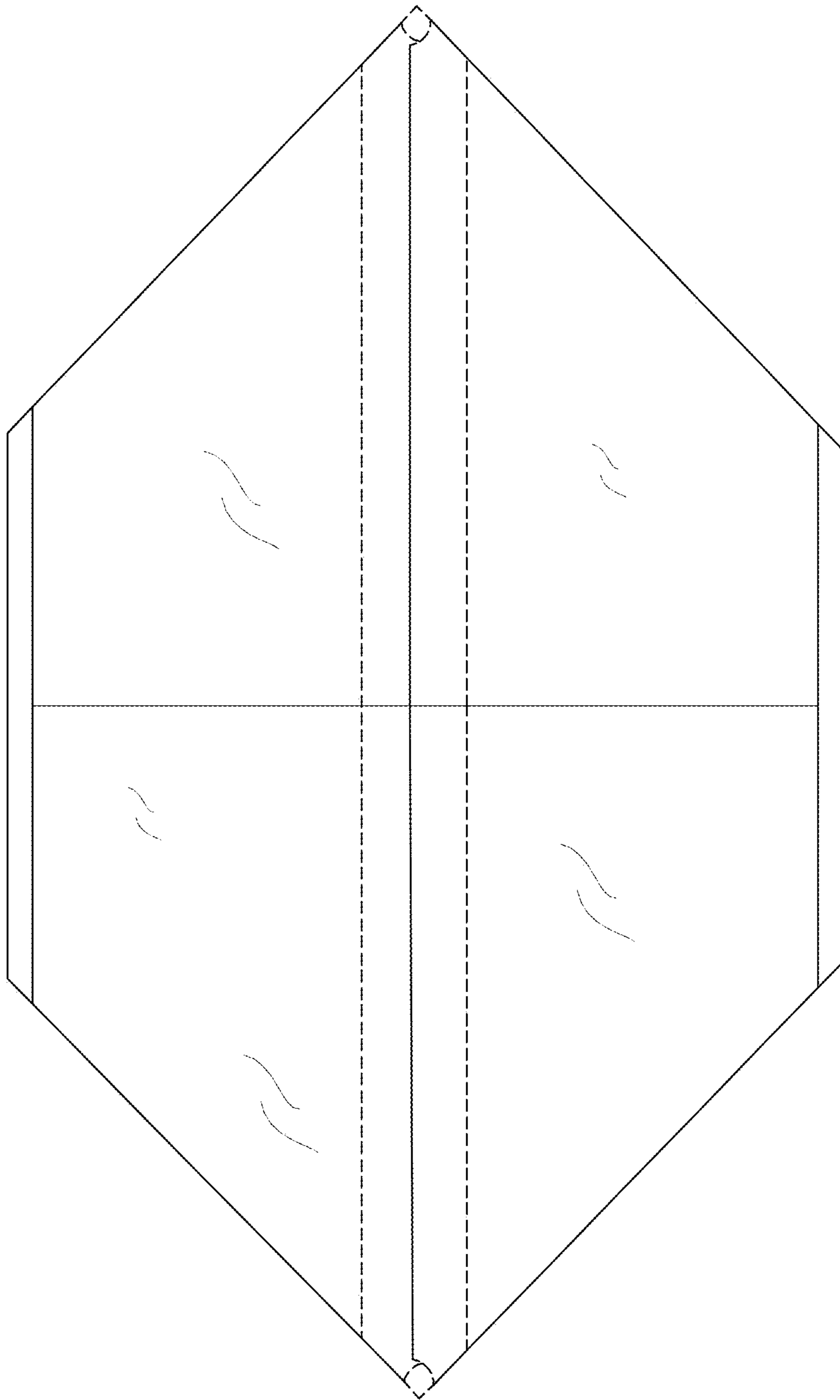


FIG. 8

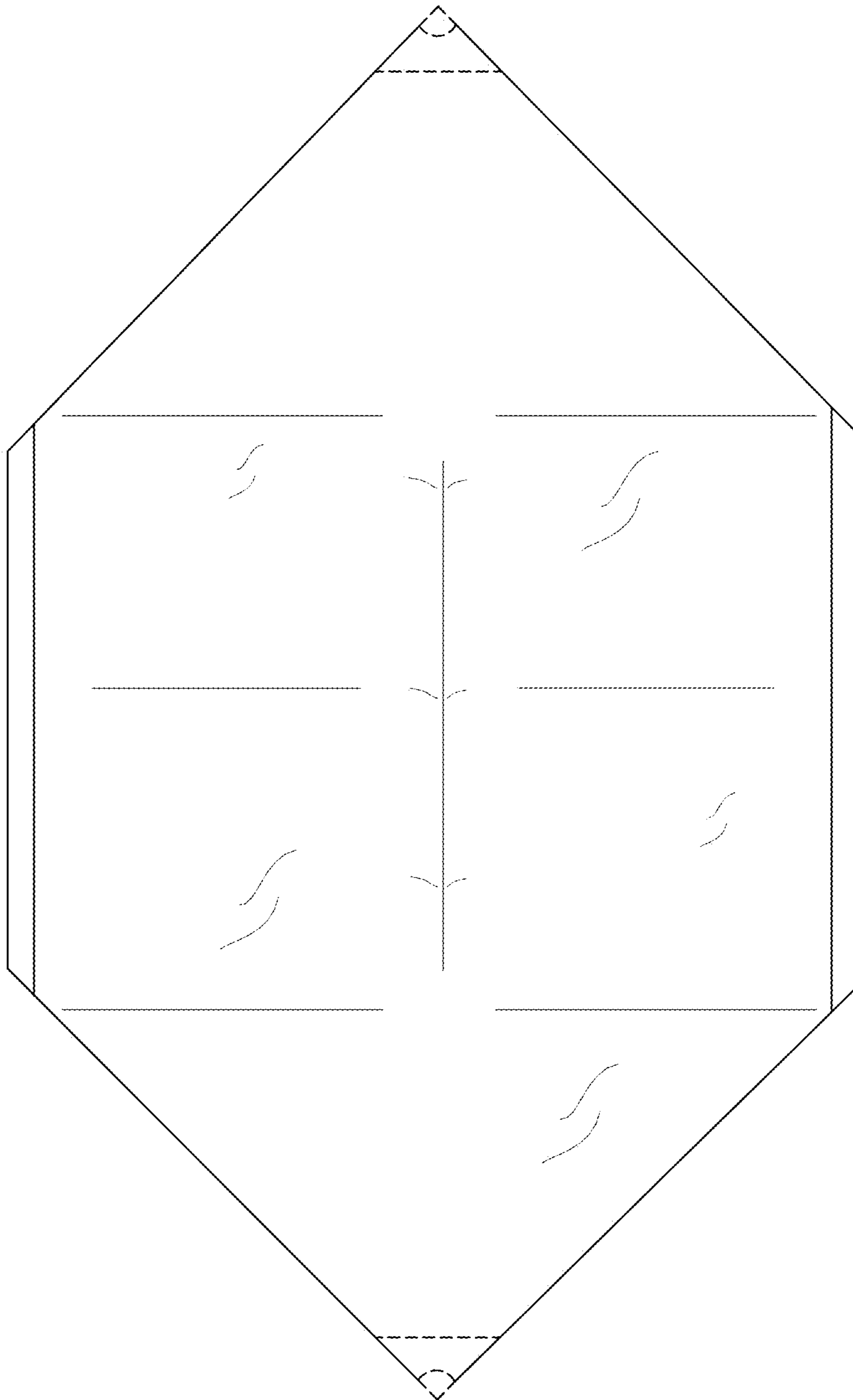


FIG. 9

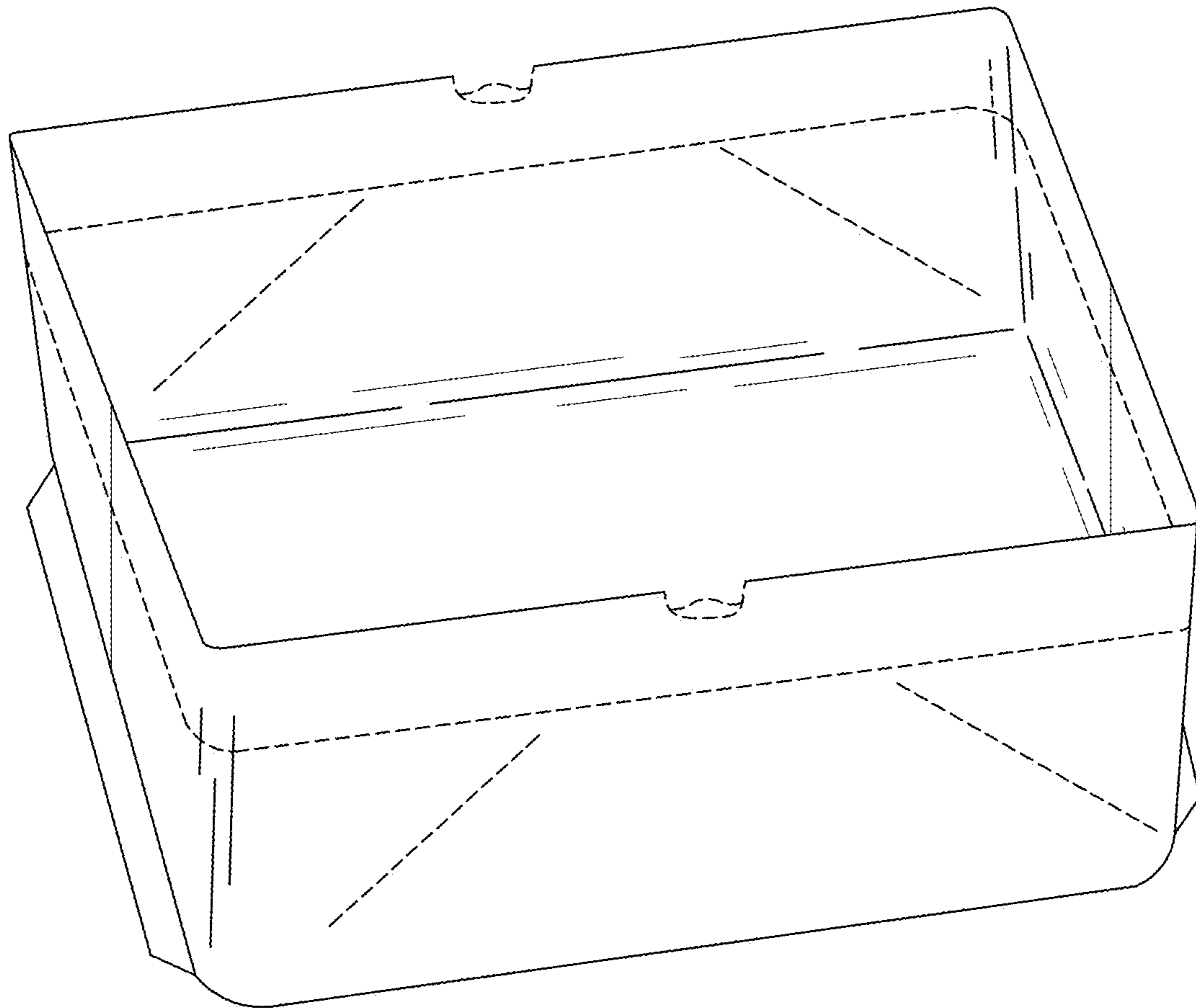


FIG. 10

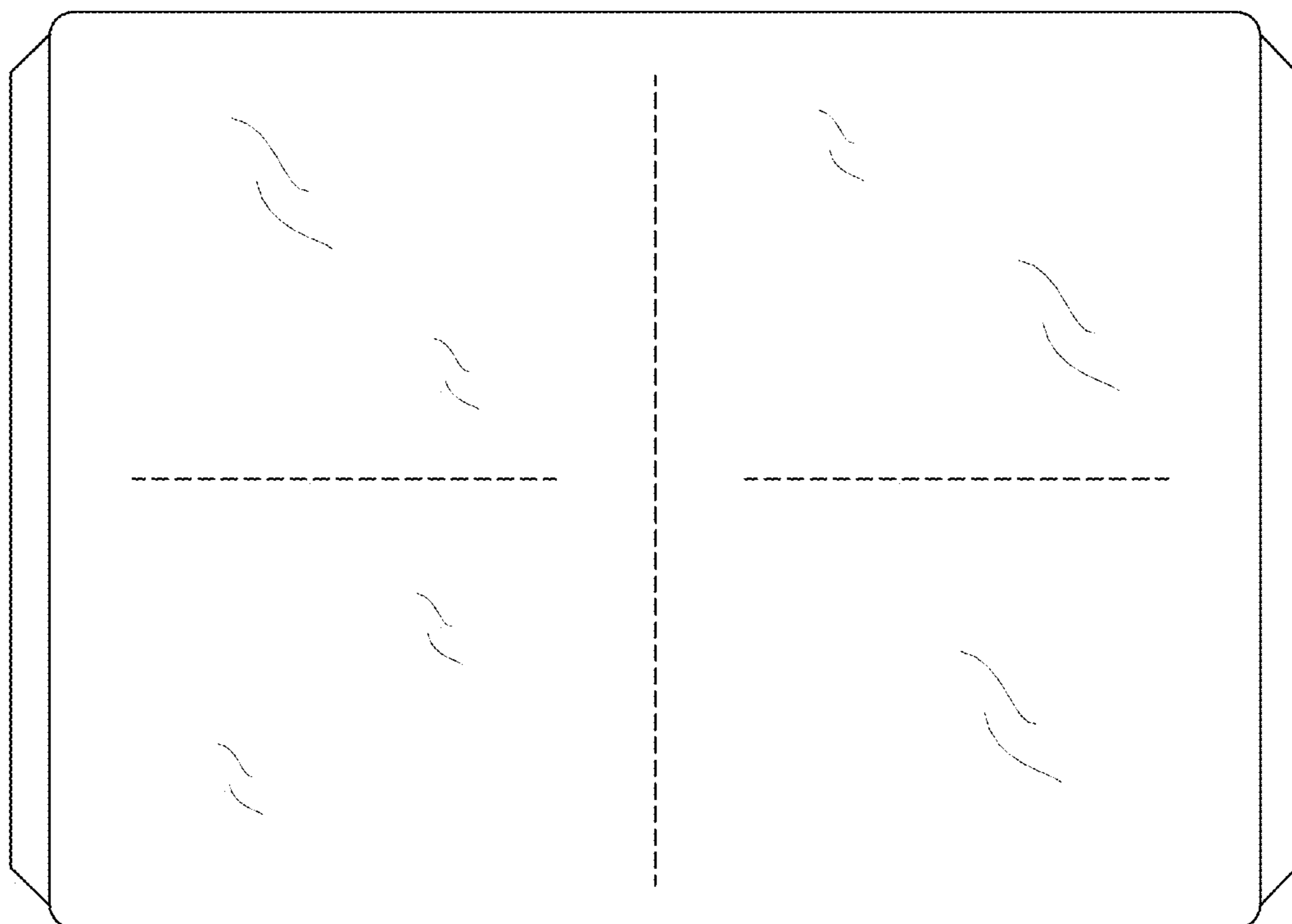


FIG. 11

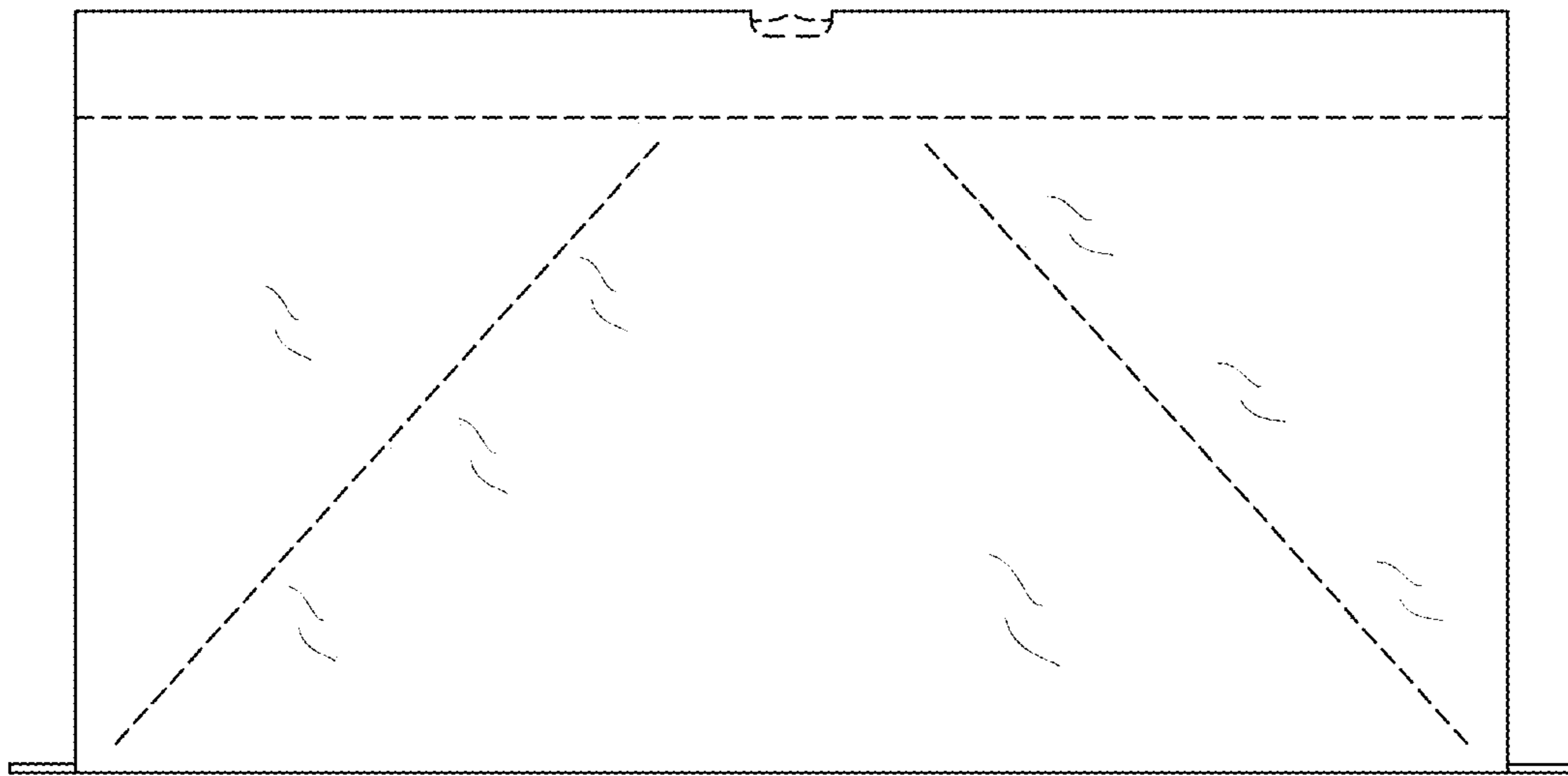


FIG. 12

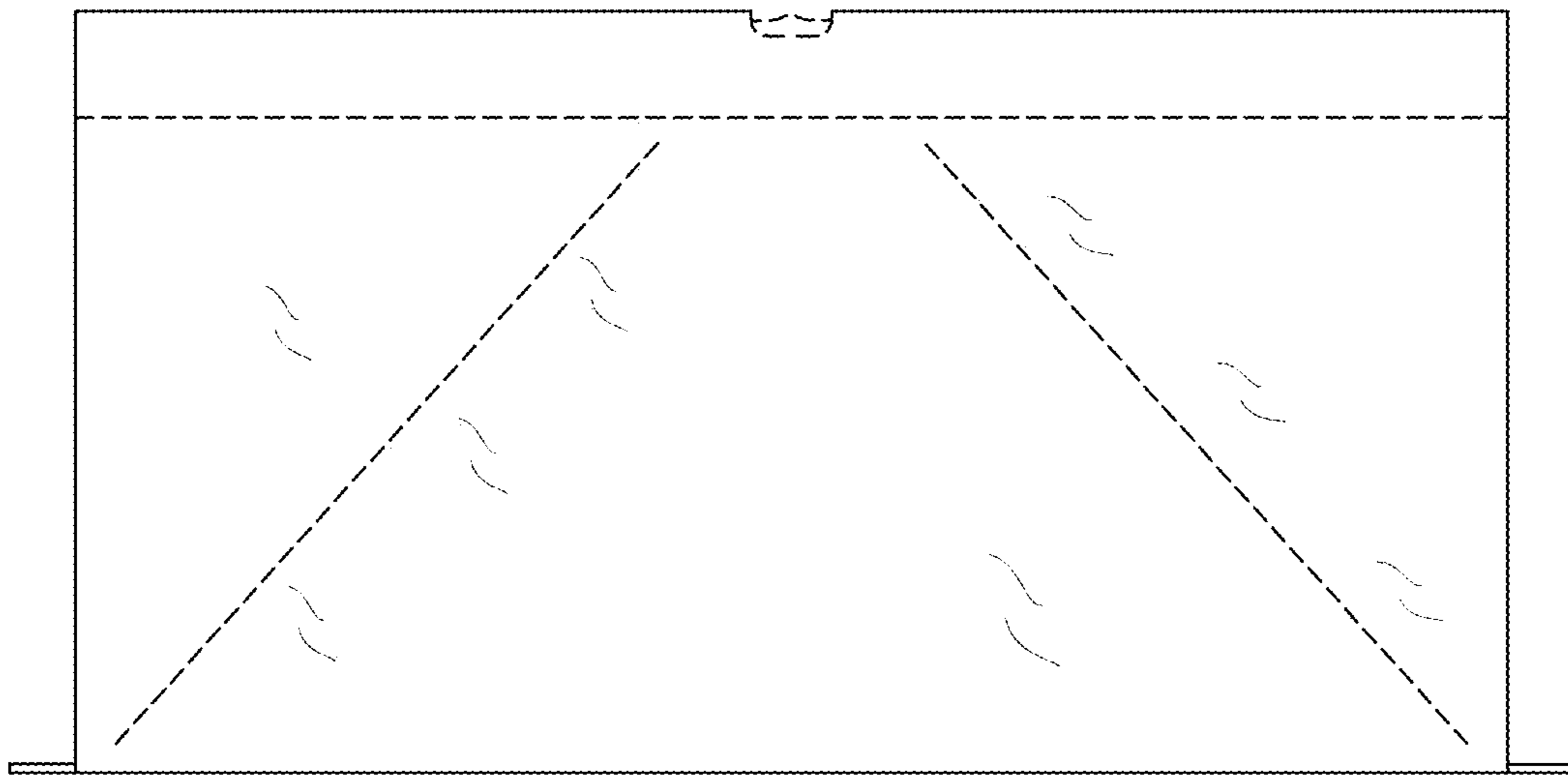


FIG. 13

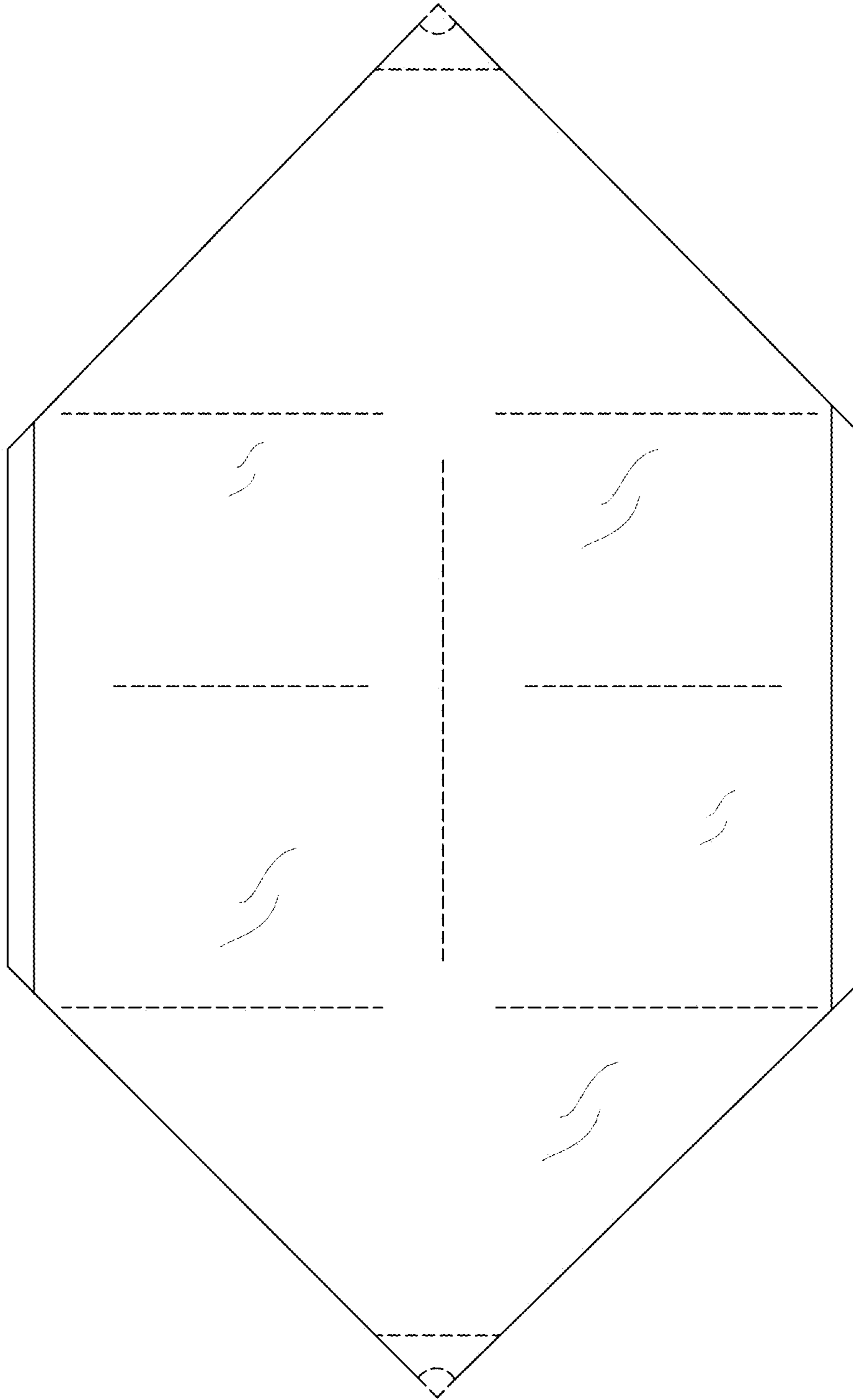


FIG. 14