



US00D903954S

(12) **United States Design Patent** (10) **Patent No.:** **US D903,954 S**  
**Wu** (45) **Date of Patent:** **\*\* Dec. 1, 2020**

(54) **PET NAIL CLIPPER**  
(71) Applicant: **Zijian Wu**, Shenzhen (CN)  
(72) Inventor: **Zijian Wu**, Shenzhen (CN)  
(\*\*) Term: **15 Years**  
(21) Appl. No.: **29/744,942**  
(22) Filed: **Aug. 2, 2020**

4,219,919 A \* 9/1980 Fischbein ..... A44C 5/185  
29/270  
D259,854 S \* 7/1981 Wahlberg ..... D8/58  
D262,090 S \* 12/1981 Wahlberg ..... D8/58  
D337,247 S \* 7/1993 Dart ..... D8/52  
5,640,770 A \* 6/1997 Fowler ..... A45D 29/023  
30/29  
D406,520 S \* 3/1999 Bunzel ..... D8/107  
D424,393 S \* 5/2000 Lamond ..... D8/58  
D424,394 S \* 5/2000 Lamond ..... D8/58  
6,134,994 A \* 10/2000 Gomas ..... B25B 7/00  
16/430  
D464,554 S \* 10/2002 Chen ..... D8/107  
D472,127 S \* 3/2003 Willinger ..... D8/107  
6,553,592 B2 \* 4/2003 Yang ..... A45D 29/02  
30/28  
D477,208 S \* 7/2003 Panosian ..... D8/107  
6,827,038 B2 \* 12/2004 Dunn ..... A01K 13/00  
119/600  
7,217,001 B2 \* 5/2007 Vrsalovic ..... A01K 13/00  
132/73.5

**Related U.S. Application Data**

(62) Division of application No. 29/722,077, filed on Jan. 26, 2020.  
(51) **LOC (12) Cl.** ..... **30-99**  
(52) **U.S. Cl.**  
USPC ..... **D30/158**  
(58) **Field of Classification Search**  
USPC ..... D30/158, 199; 119/601, 600, 650, 610,  
119/652, 602, 605, 607; D28/60;  
132/73.5, 73, 75.3-75.6; 30/26-29, 123,  
30/175, 176, 179, 181, 194, 124, 125,  
30/182, 131, 145; 606/165, 175;  
168/48.1; 83/13, 130; 340/573.1;  
600/310; 362/119, 253, 800; 7/162;  
D8/5, 52-56, 60, 107  
CPC ..... A01K 13/00; A01K 17/00; B26B 13/22;  
A45D 29/02; A45D 2029/026; A61D 1/00  
See application file for complete search history.

(Continued)

*Primary Examiner* — Susan Moon Lee

(57) **CLAIM**

The ornamental design for a pet nail clipper as shown and described.

**DESCRIPTION**

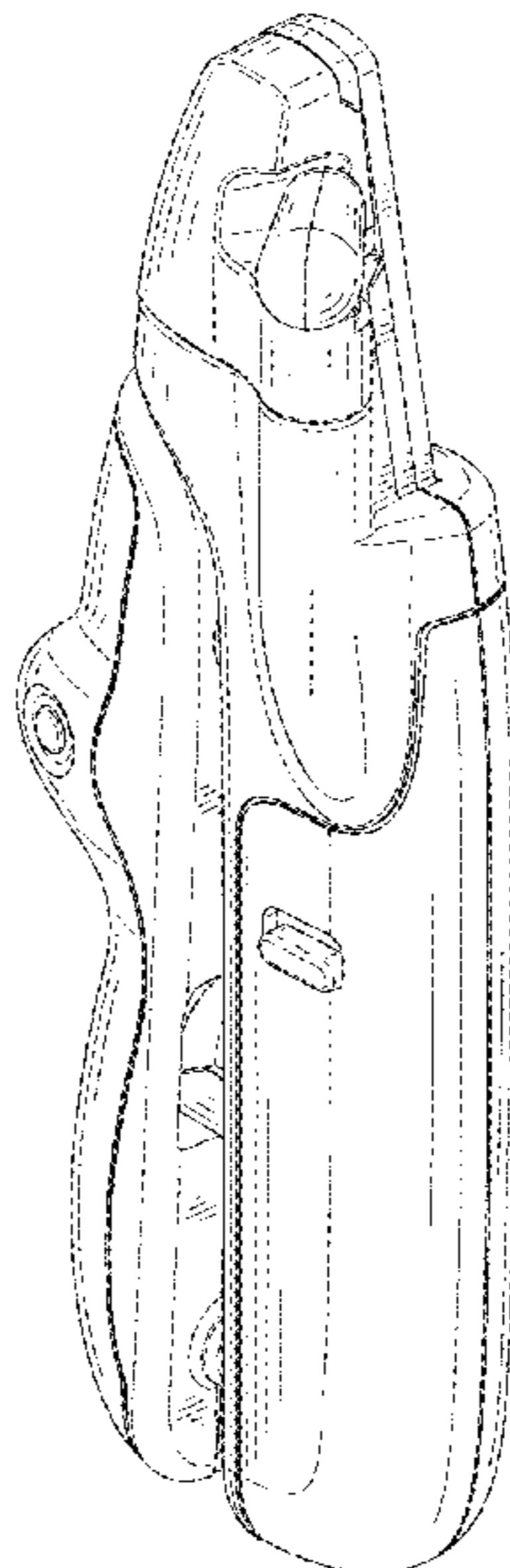
FIG. 1 is a first perspective view of a pet nail clipper showing my new design;  
FIG. 2 is a second perspective view thereof;  
FIG. 3 is a front elevational view thereof;  
FIG. 4 is a rear elevational view thereof;  
FIG. 5 is a left elevational view thereof;  
FIG. 6 is a right elevational view thereof;  
FIG. 7 is a top plan view thereof;  
FIG. 8 is a bottom plan view thereof; and,  
FIG. 9 is a perspective view thereof in use condition.  
The broken lines in the drawings illustrate portions of the pet nail clipper which form no part of the claimed design.

**1 Claim, 9 Drawing Sheets**

(56) **References Cited**

**U.S. PATENT DOCUMENTS**

810,402 A \* 1/1906 Friese ..... A45D 29/02  
132/75.5  
1,276,433 A \* 8/1918 Stainbrook et al. .... B25B 7/22  
7/131  
3,838,507 A \* 10/1974 Clark ..... A01K 13/00  
30/29



(56)

References Cited

U.S. PATENT DOCUMENTS

D544,770 S *	6/2007	Yang	.....	D8/52	2006/0158871 A1 *	7/2006	Hopkins	.....	A45D 29/02
7,621,011 B2 *	11/2009	Smith	.....	A01K 17/00					362/119
				119/610	2006/0180169 A1 *	8/2006	Lund	.....	A45D 29/02
D615,254 S *	5/2010	Manheimer, III	.....	D30/158					132/73.5
8,793,883 B1 *	8/2014	Romero	.....	B26B 13/28	2006/0268540 A1 *	11/2006	Vrsalovic	.....	A01K 13/00
				30/261					362/119
9,003,667 B2 *	4/2015	Huang	.....	A01G 3/02	2009/0158593 A1 *	6/2009	Smith	.....	A01K 13/00
				30/262					30/28
D763,049 S *	8/2016	Lin	.....	D8/52	2014/0041195 A1 *	2/2014	Hoang	.....	B26B 17/006
9,913,457 B2 *	3/2018	Kim	.....	A01K 13/00					29/434
10,173,332 B1 *	1/2019	Zhu	.....	A01K 13/00	2015/0101194 A1 *	4/2015	Jui-Tsang	.....	A45D 29/02
D855,904 S *	8/2019	Zhu	.....	D30/158					30/29
10,506,796 B1 *	12/2019	Lee	.....	A01K 17/00	2016/0066542 A1 *	3/2016	Kearns	.....	A01K 17/00
2003/0159292 A1 *	8/2003	Wu	.....	A01G 3/02					30/27
				30/123.3	2016/0199986 A1 *	7/2016	Tillinghast, III	.....	B25B 7/02
2004/0163607 A1 *	8/2004	Dunn	.....	A45D 29/18					30/176
				119/602	2017/0035027 A1 *	2/2017	Kim	.....	A01K 13/00
2005/0210679 A1 *	9/2005	Moulton, III	.....	B26B 13/22	2017/0245469 A1 *	8/2017	Contreras	.....	A01K 13/003
				30/29	2019/0008122 A1 *	1/2019	Zhu	.....	A01K 13/00
2005/0211030 A1 *	9/2005	Moulton, III	.....	A45D 29/02	2019/0133083 A1 *	5/2019	Contreras	.....	A45D 29/04
				83/13	2019/0320616 A1 *	10/2019	Jacobowitz	.....	A45D 29/02

\* cited by examiner

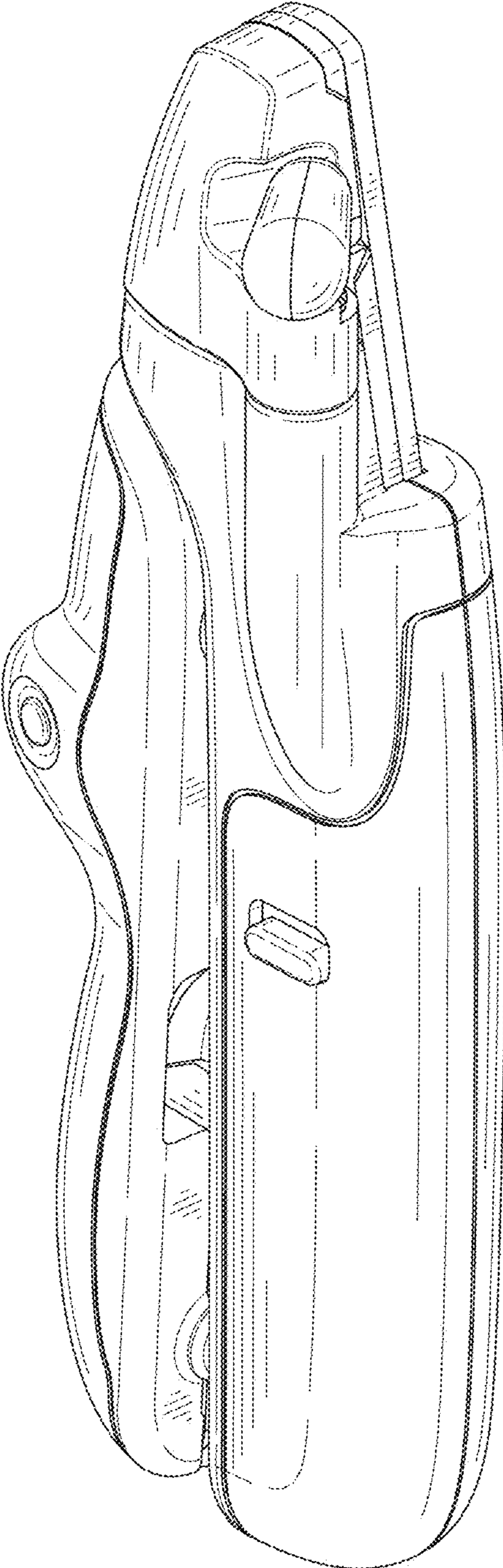


FIG. 1



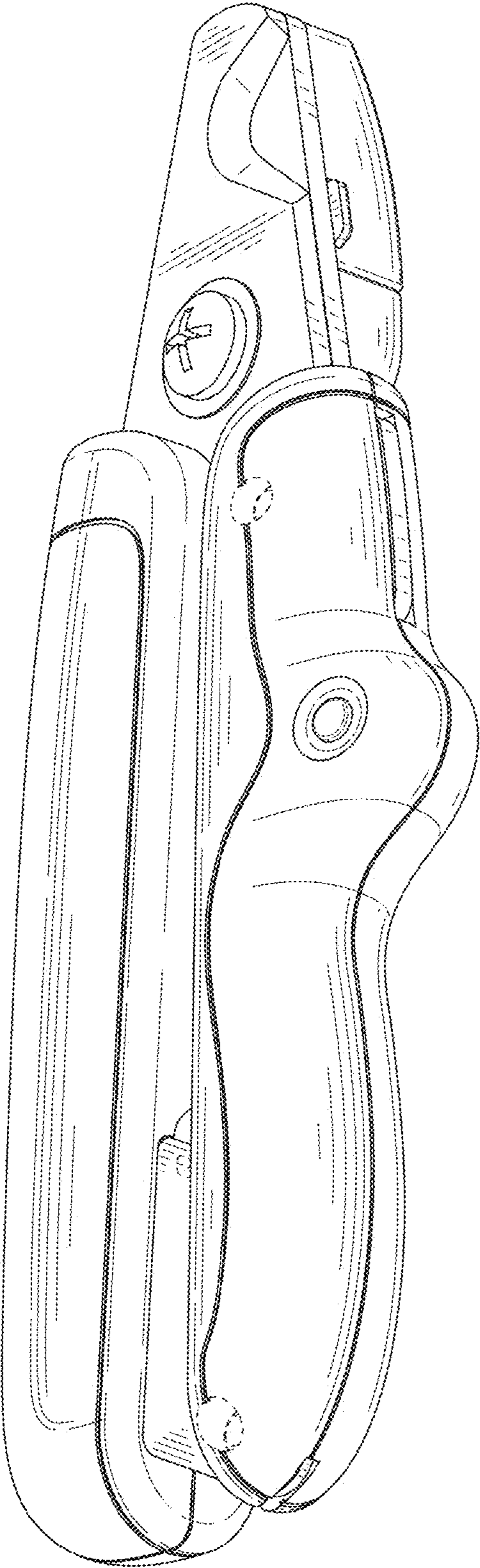


FIG. 2

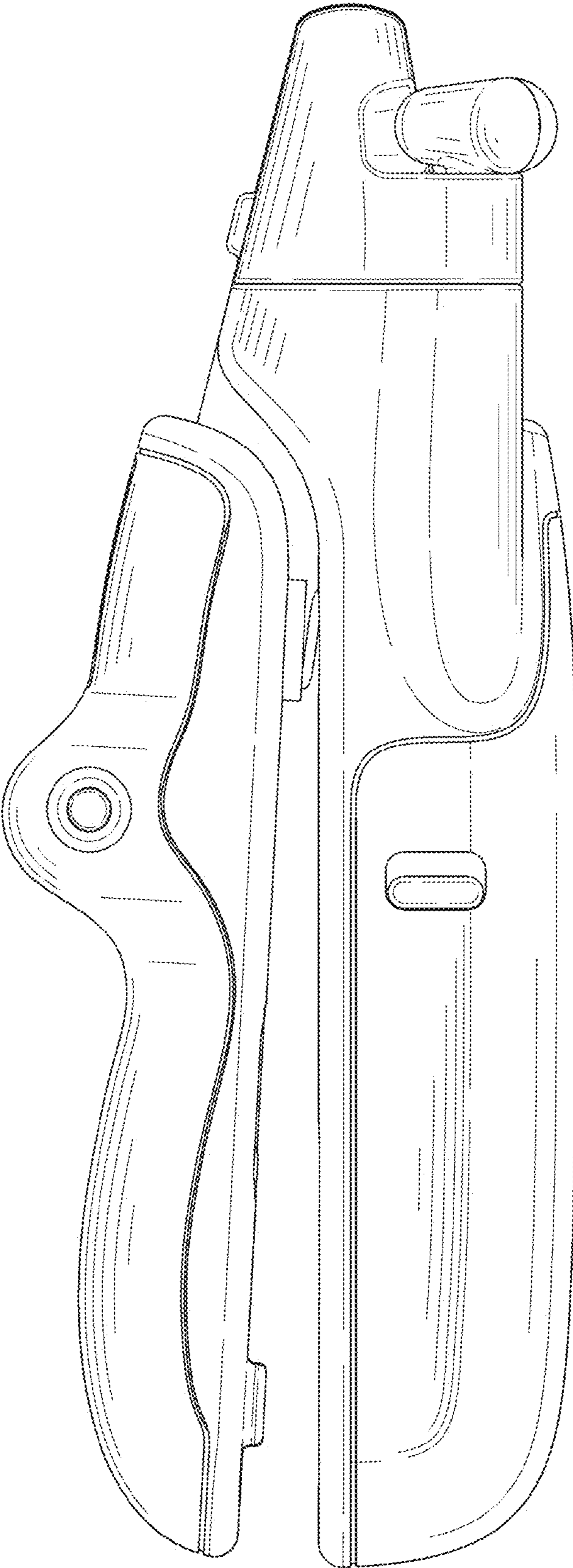


FIG. 3

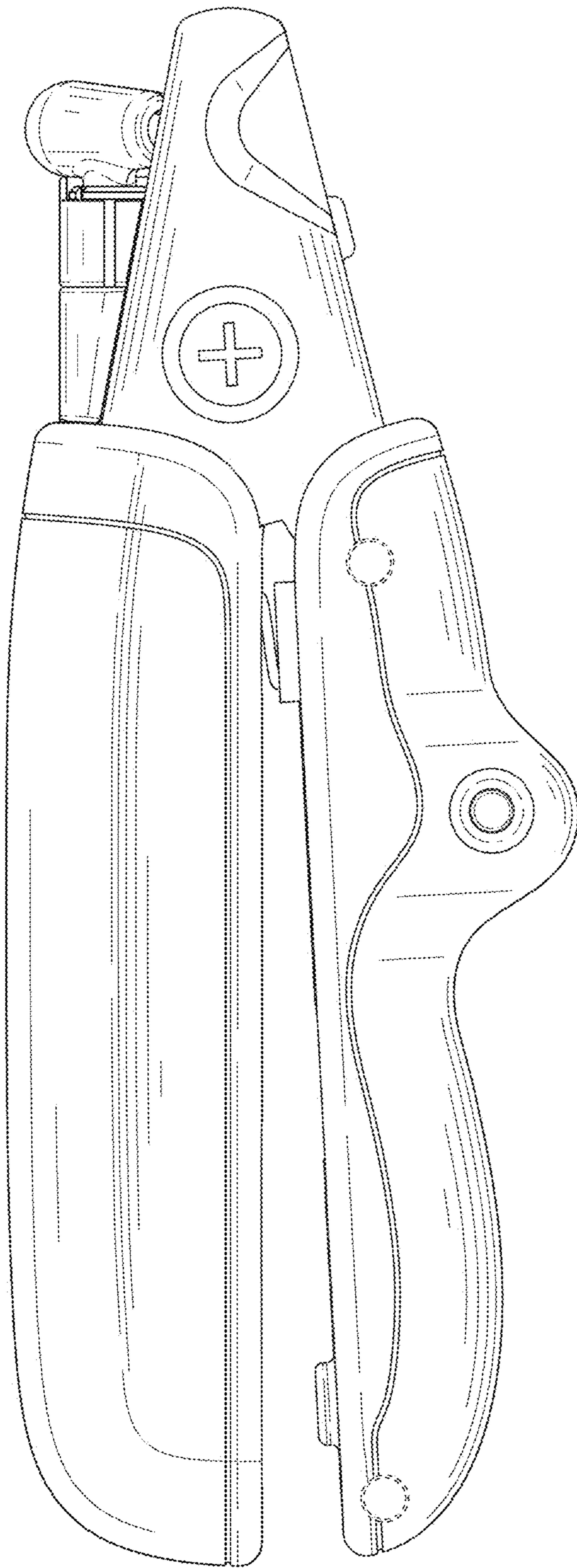


FIG. 4

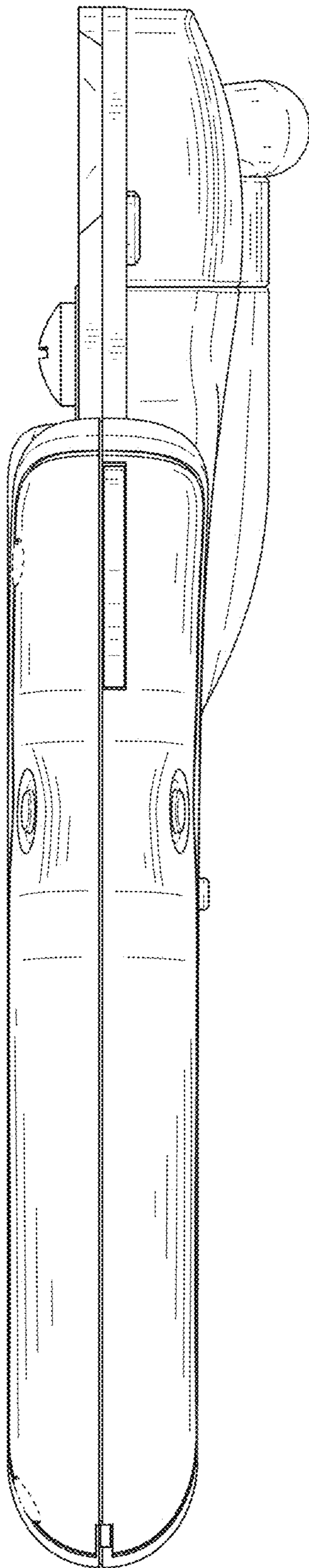


FIG. 5



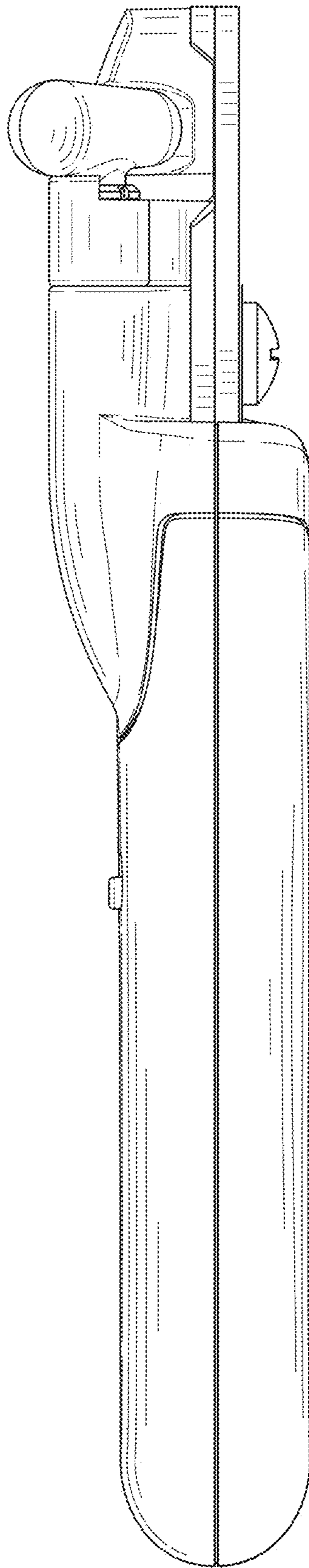


FIG. 6



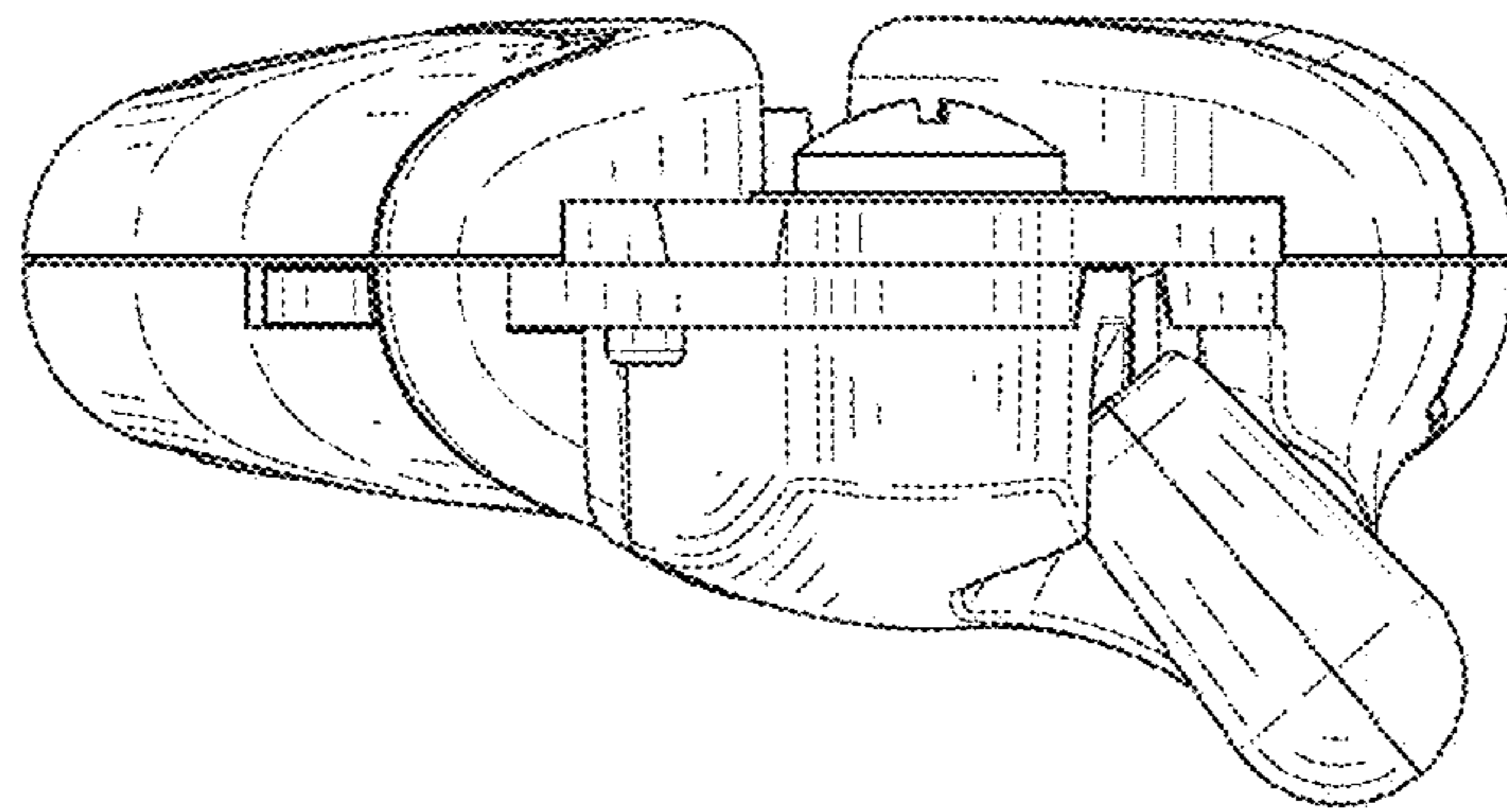


FIG. 7

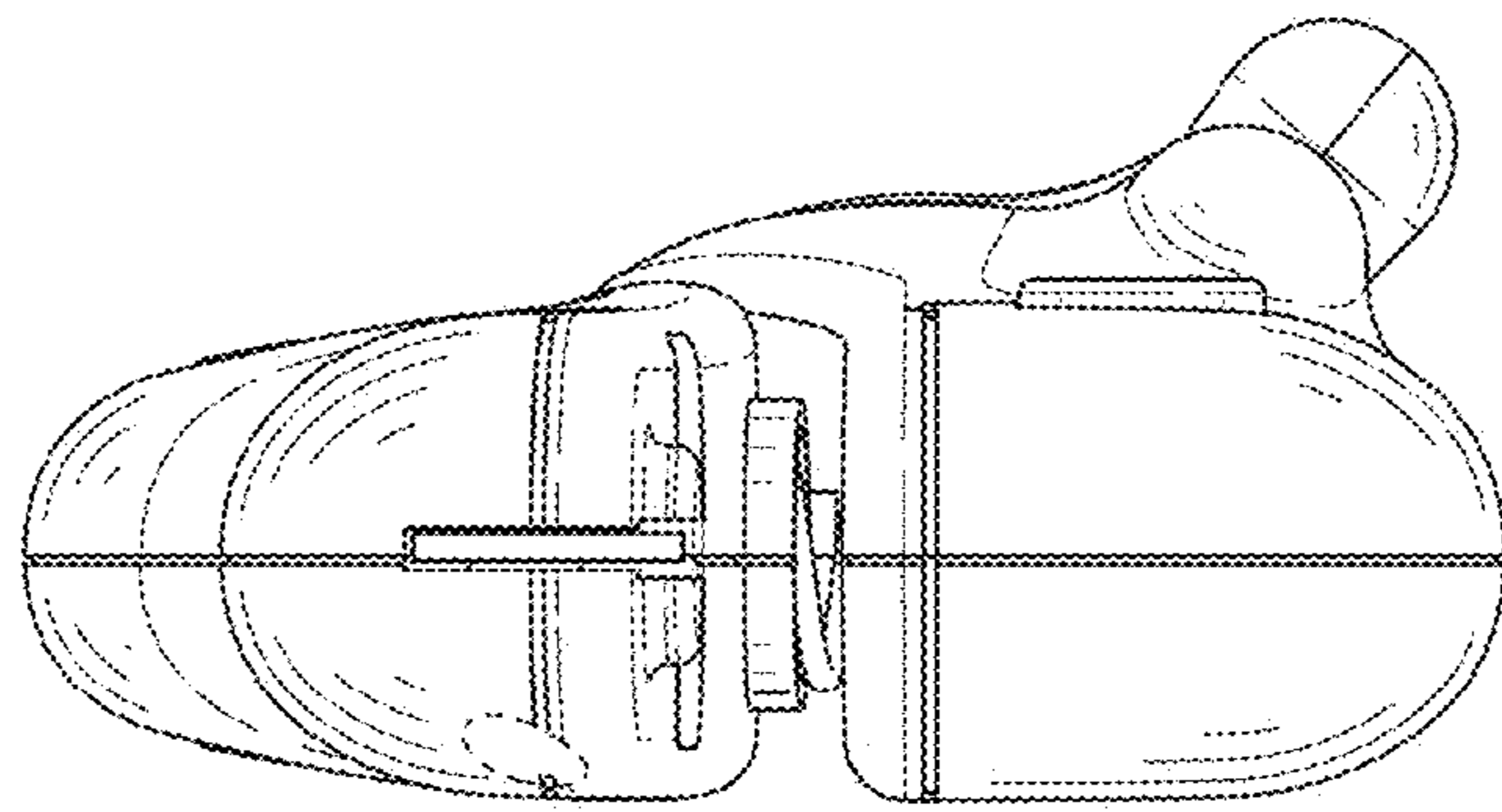


FIG. 8

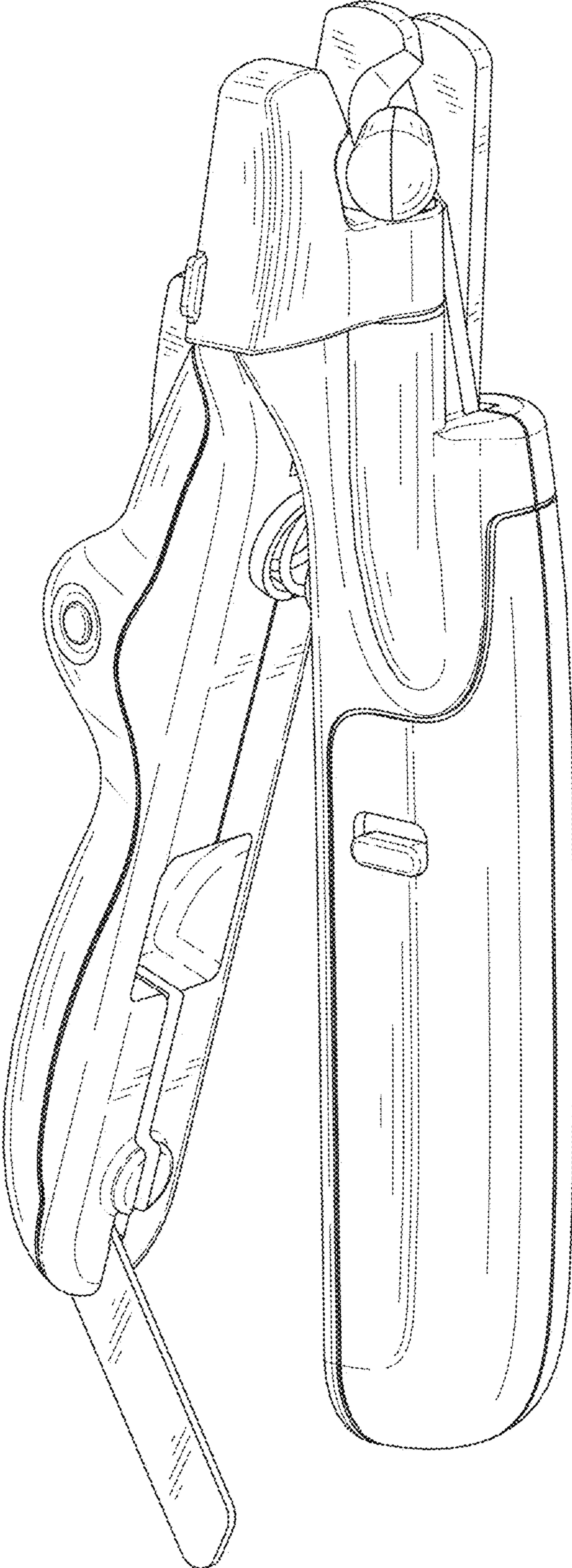


FIG. 9