



US00D903949S

(12) **United States Design Patent**
Cronkhite

(10) **Patent No.:** **US D903,949 S**

(45) **Date of Patent:** **** Dec. 1, 2020**

(54) **KENNEL DIVIDER**

(71) Applicant: **Good Ideas, Inc.**, Erie, PA (US)

(72) Inventor: **Greg Cronkhite**, Draper, SD (US)

(73) Assignee: **Good Ideas, Inc.**, Erie, PA (US)

(**) Term: **15 Years**

(21) Appl. No.: **29/677,581**

(22) Filed: **Jan. 22, 2019**

(51) **LOC (12) Cl.** **30-02**

(52) **U.S. Cl.**

USPC **D30/119; D30/108; D25/152; D25/156**

(58) **Field of Classification Search**

USPC D30/102, 108, 113, 114, 118, 119, 120,
D30/144-154, 199; D3/215, 216, 221,
D3/226, 231, 233, 327, 218; D29/101.1,
D29/101.3, 101.5, 103, 104, 109, 122;
D24/190-192, 199, 186, 189; D2/627,
D2/896, 897, 902, 909, 919, 943, 980,
D2/718, 719, 860, 864, 723, 961;
D6/675, 567, 572; D9/650, 430, 432;
D10/30, 40, 70, 50, 52, 60, 61, 104.1,
D10/104.2; D11/79, 86, 201; D14/344,
D14/242, 203.1, 203.3, 203.5; D21/387;
D23/366, 368, 364; D25/48.5, 152, 153,
D25/157; D20/11, 27, 19, 24, 30

CPC A01K 1/00; A01K 1/02; A01K 1/0088;
A01K 13/007; A01K 13/006; A01K
13/00; A01K 27/00; A01K 27/001; A01K
27/002; A01K 27/003; A01K 27/004;
A01K 27/005; A01K 2/006; A01K 2/008;
A01K 27/009; A01K 25/00; A01K 15/04;
A01K 15/021; A01K 15/022; A01K
11/006; A01K 11/008; A01K 23/00;
A01K 29/00; A61F 11/12; A41B 13/06;
A61D 9/00; B68B 1/02; B68B 1/01;
E06B 9/02; E06B 9/0623; E06B 9/0638;
A01L 3/02; A01L 5/00; A01L 1/02

See application file for complete search history.

(56) **References Cited**

U.S. PATENT DOCUMENTS

D45,774 S * 5/1914 Warnick et al. D30/108
3,022,607 A * 2/1962 Toulmin, Jr. E04B 1/8409
52/145
D212,480 S * 10/1968 Mead D30/114
D231,371 S * 4/1974 Willinger et al. D30/108

(Continued)

OTHER PUBLICATIONS

Forever Insert Divider, no date available [online] [retrieved Jul. 16, 2020], Available from Internet, URL: <https://dakota283.com/collections/accessories/products/forever-insert-divider>.*

Primary Examiner — Dana K Weiland

Assistant Examiner — Mary Claire Ramirez

(74) *Attorney, Agent, or Firm* — Jonathan M. D'Silva;
MMI Intellectual Property

(57) **CLAIM**

The ornamental design for a kennel divider, as shown and described.

DESCRIPTION

FIG. 1 is a perspective view of a kennel divider showing the new design in a kennel;

FIG. 2 is another perspective view of the kennel divider in the kennel of FIG. 1 showing the kennel partially broken away;

FIG. 3 is a top view of the kennel divider;

FIG. 4 is a right side view of the kennel divider;

FIG. 5 is a front view of the kennel divider;

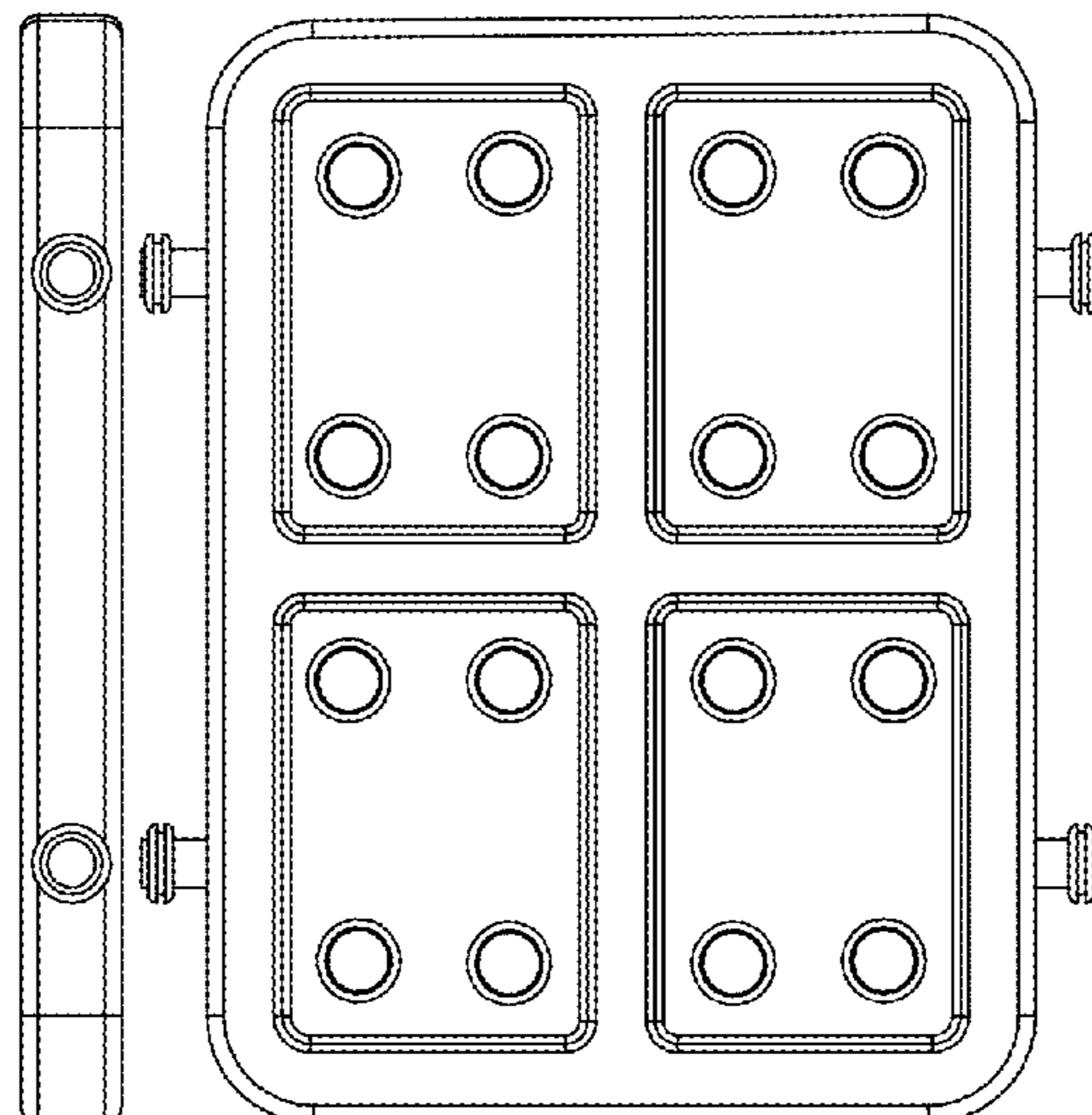
FIG. 6 is a bottom view of the kennel divider;

FIG. 7 is a back view of the kennel divider; and,

FIG. 8 is a left side view of the kennel divider.

The broken line showing of the kennel in FIGS. 1 and 2 is for the purpose of illustrating environment and forms no part of the claimed design.

1 Claim, 4 Drawing Sheets



(56)

References Cited

U.S. PATENT DOCUMENTS

4,334,500 A * 6/1982 Ziller A01K 1/0245
 119/419
 D294,985 S * 3/1988 Blieden D30/109
 5,054,431 A * 10/1991 Coviello A01K 5/0114
 119/51.01
 D346,676 S * 5/1994 Hopper, Jr. D30/108
 D349,774 S * 8/1994 Kongsgaard D25/156
 D352,573 S * 11/1994 Sampson D25/152
 D355,261 S * 2/1995 Abrams D25/38.1
 D371,167 S * 6/1996 Murphy D21/366
 5,927,011 A * 7/1999 Sickenius E06B 7/28
 49/104
 6,092,488 A * 7/2000 Allawas A01K 1/0245
 119/474
 D433,165 S * 10/2000 Moreau D25/156
 6,131,534 A * 10/2000 Axelrod A01K 1/0245
 119/497
 7,021,242 B2 * 4/2006 Axelrod A01K 1/0245
 119/496
 D553,393 S * 10/2007 Cassel D6/675.1
 D566,907 S * 4/2008 Barca D30/109
 D583,070 S * 12/2008 Lai D25/48.5
 D608,019 S * 1/2010 Arden D25/48.5
 D634,957 S * 3/2011 Rosenzweig D6/567
 D637,705 S * 5/2011 Park D23/360
 D653,818 S * 2/2012 Schetlin D30/158
 D665,511 S * 8/2012 Bertsch D25/48.5

D678,535 S * 3/2013 Ramirez D24/189
 D680,696 S * 4/2013 Hammel D30/108
 D699,057 S * 2/2014 Price D6/675
 D703,876 S * 4/2014 Chance D30/108
 D709,718 S * 7/2014 Snyder D6/682.4
 D725,379 S * 3/2015 Dixon D3/218
 D735,952 S * 8/2015 Otto D30/108
 D748,415 S * 2/2016 De Roeck D6/675
 D762,332 S * 7/2016 Chance D30/119
 D774,905 S * 12/2016 Smith D9/432
 D824,115 S * 7/2018 Couse D30/119
 D824,117 S * 7/2018 Couse D30/119
 D827,211 S * 8/2018 Cronkhite D30/119
 D827,212 S * 8/2018 Cronkhite D30/119
 D843,586 S * 3/2019 Duan-Arnold D24/189
 D843,587 S * 3/2019 Duan-Arnold D24/189
 D876,021 S * 2/2020 Gevaert D30/108
 D887,089 S * 6/2020 Vanbuuren D30/119
 D888,345 S * 6/2020 Cronkhite D30/119
 2006/0249088 A1 * 11/2006 Eu A01K 27/009
 119/51.02
 2008/0236507 A1 * 10/2008 Conger A01K 1/00
 119/417
 2010/0175629 A1 * 7/2010 Garmon A01K 29/00
 119/419
 2013/0099649 A1 * 4/2013 Snyder A47J 31/4425
 312/348.3
 2013/0138069 A1 * 5/2013 Dewitt A61F 13/00063
 604/369
 2018/0014502 A1 * 1/2018 O'Shaughnessy ... A01K 1/0356
 * cited by examiner

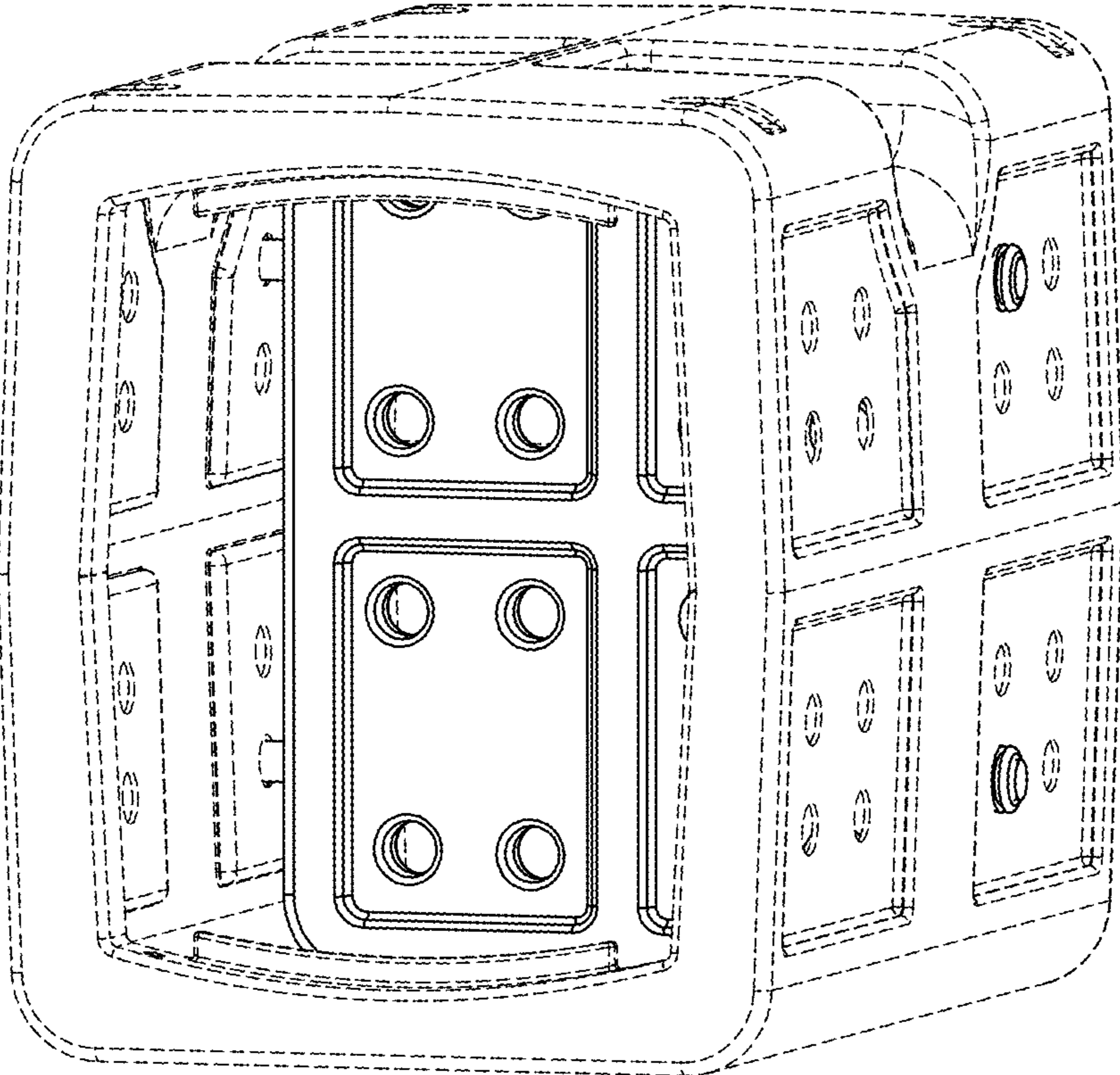


FIG. 1

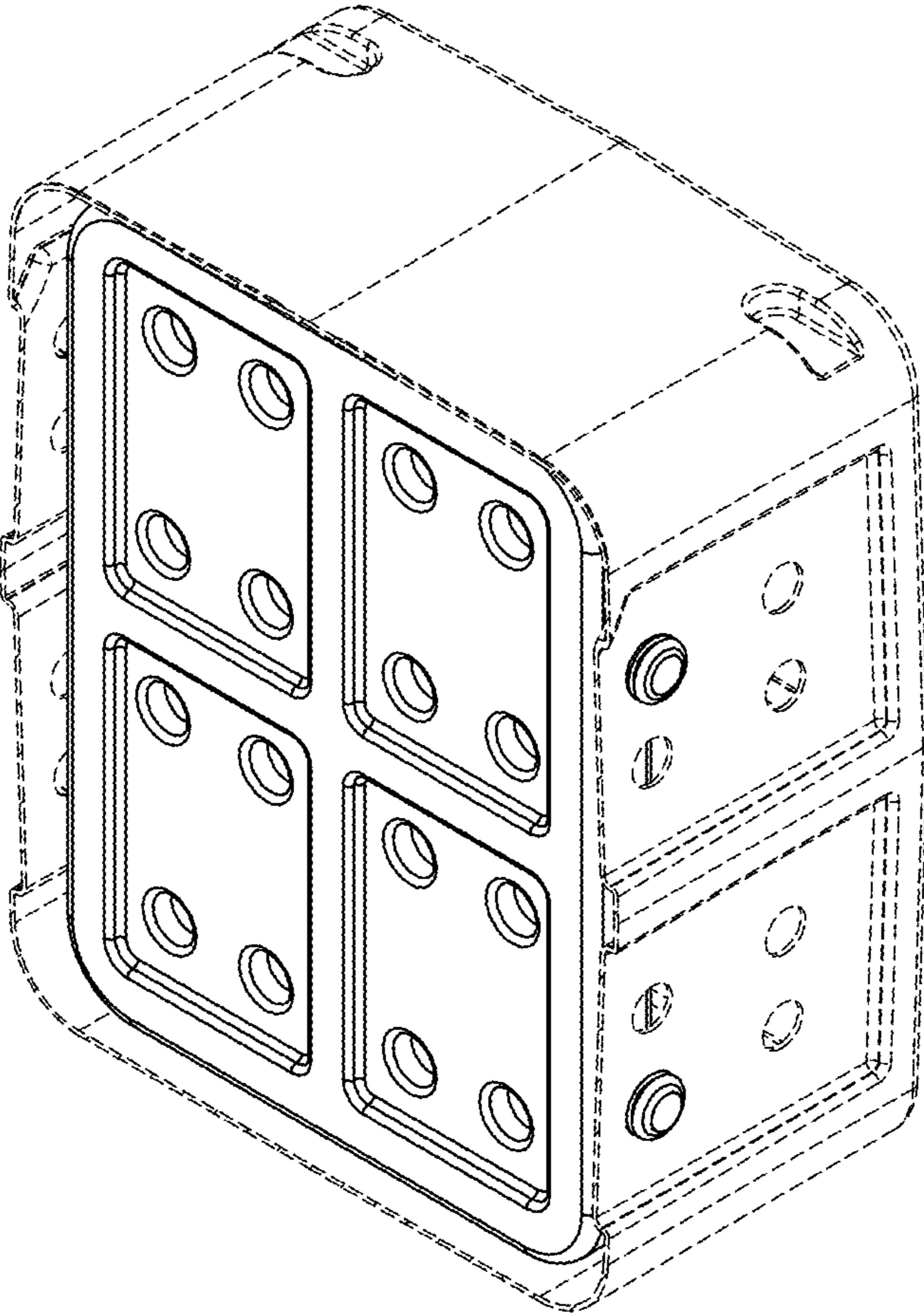


FIG. 2

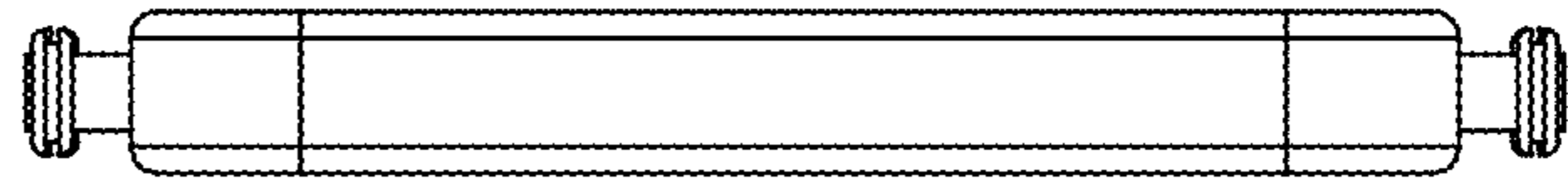


FIG. 3

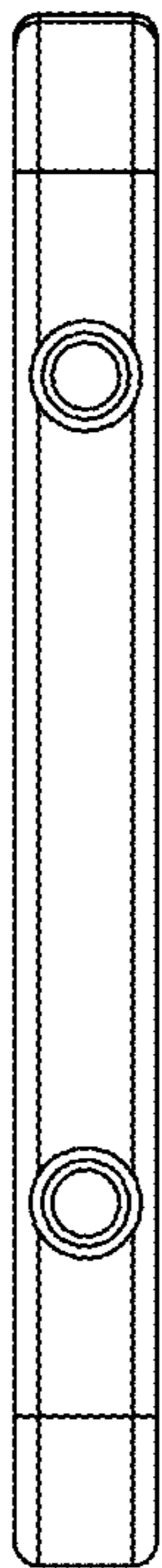


FIG. 4

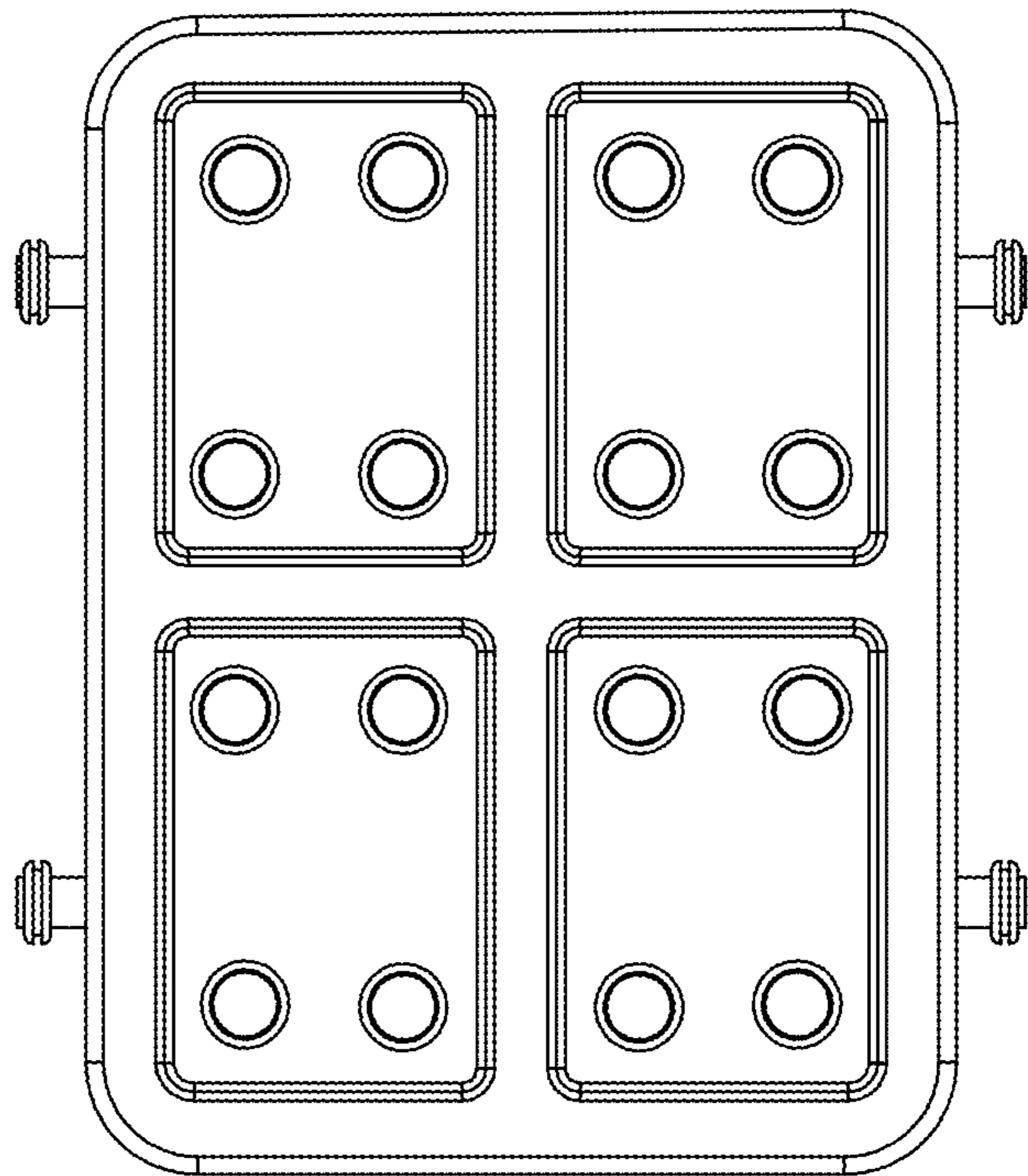


FIG. 5

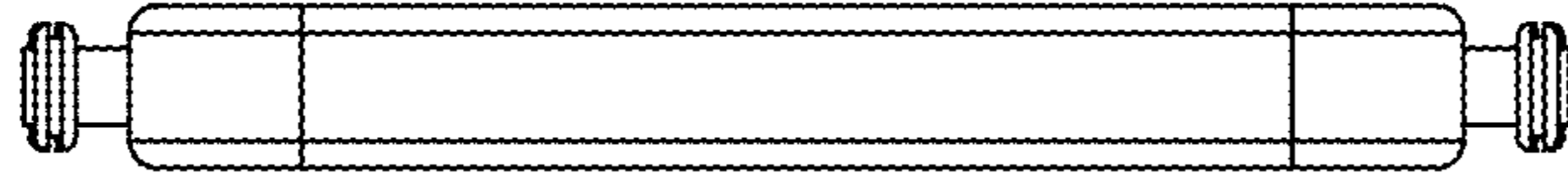


FIG. 6

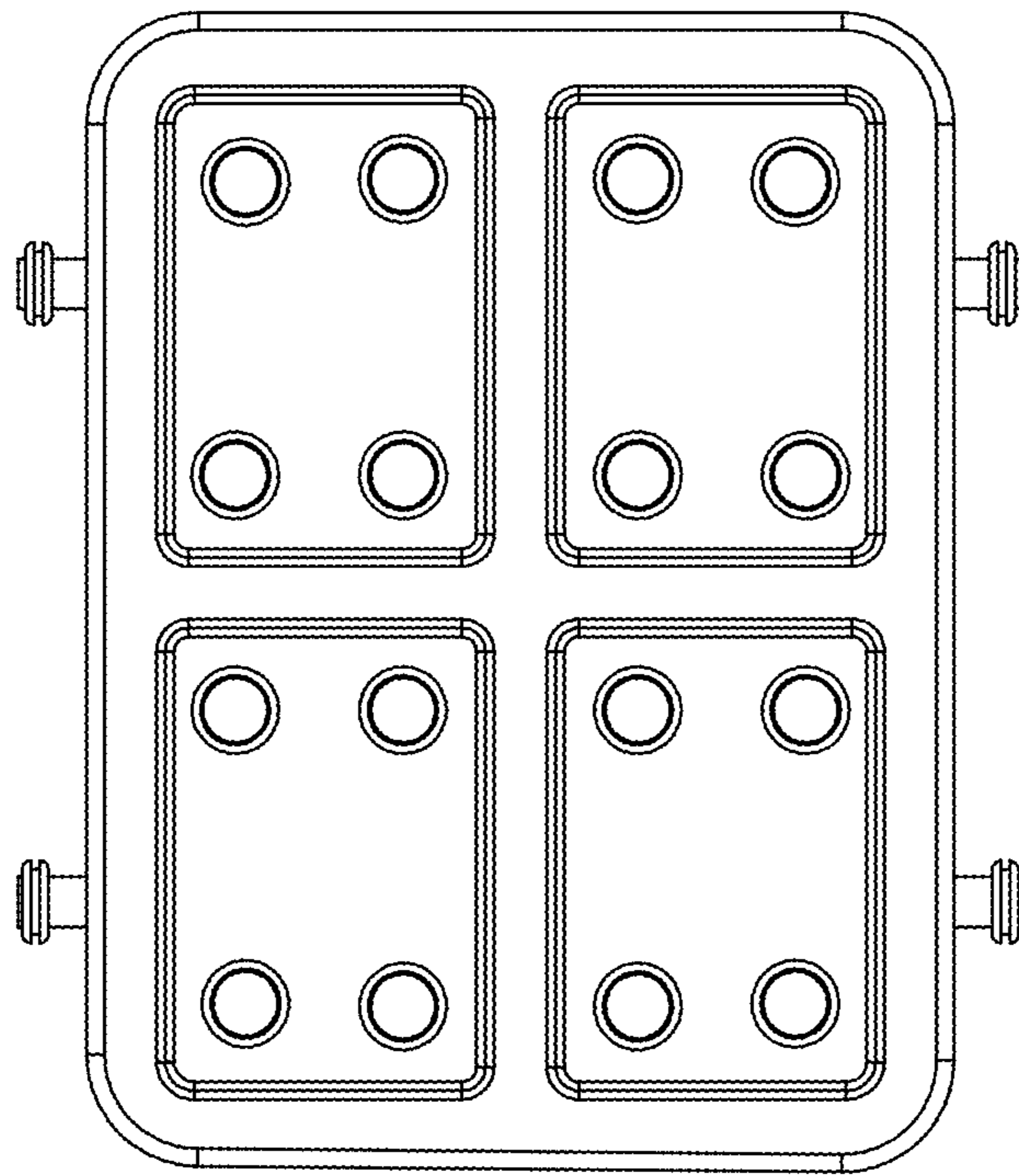


FIG. 7

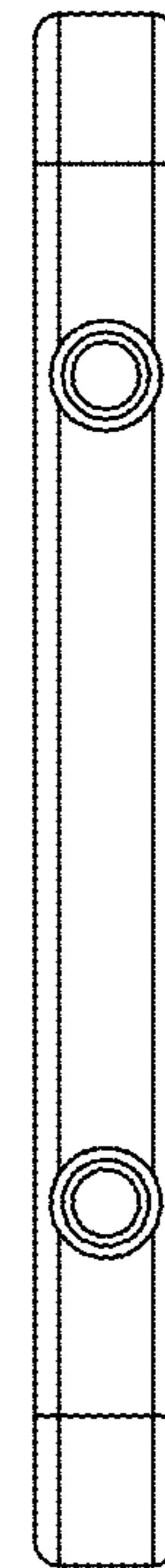


FIG. 8