



US00D903948S

(12) **United States Design Patent** (10) **Patent No.:** **US D903,948 S**
Xin et al. (45) **Date of Patent:** **** Dec. 1, 2020**

(54) **END TABLE FOR CRATING A PET**
(71) Applicant: **MERRY PRODUCTS CORPORATION**, Richmond Hill (CA)
(72) Inventors: **Kevin Xin**, Markham (CA); **Jeffrey Pinard**, Toronto (CA)
(73) Assignee: **MERRY PRODUCTS CORPORATION**, Richmond Hill (CA)

(**) Term: **15 Years**

(21) Appl. No.: **29/673,769**

(22) Filed: **Dec. 18, 2018**

(51) **LOC (12) Cl.** **30-02**

(52) **U.S. Cl.**
USPC **D30/108**

(58) **Field of Classification Search**
USPC D30/108-117, 124, 125, 126, 127, 128, D30/199; D25/15, 7, 21, 22, 45, 63; D6/332, 331, 642, 655, 655.18, 656, 657, D6/663, 664, 685, 686, 688, 691, 691.8; 119/52.1, 52.2, 52.3, 52.4, 57.8, 57.9, 119/69.5, 421, 428, 429, 453, 459-464, 119/468, 469, 474, 475, 479, 482, 497, 119/498, 499, 501; 292/80, 26; 446/126; 206/501; D3/272, 273, 315
CPC A01K 1/0035; A01K 1/034; A01K 31/06; A01K 31/08; E06B 9/02; E06B 9/04; E06B 9/0607; E06B 7/32
See application file for complete search history.

(56) **References Cited**

U.S. PATENT DOCUMENTS

6,460,486 B1 * 10/2002 Powers A01K 1/0245
119/452
6,997,138 B1 * 2/2006 Simpson A01K 1/033
119/474
D586,304 S * 2/2009 Robaina D13/184
D634,078 S * 3/2011 Lee D30/119

10,470,435 B2 * 11/2019 Fleming E05D 15/58
2006/0000422 A1 * 1/2006 Cheng A01K 31/06
119/455
2007/0000447 A1 * 1/2007 Jakubowski A01K 31/08
119/453
2008/0110411 A1 * 5/2008 Cantrell A01K 1/034
119/452
2016/0192615 A1 * 7/2016 Parness A01K 5/01
119/454
2016/0205890 A1 * 7/2016 Link E05C 3/042
2016/0227731 A1 * 8/2016 Cheng E05C 1/10
2016/0348386 A1 * 12/2016 Beckmann F16K 17/02
2017/0055489 A1 * 3/2017 Bin A01K 1/033

(Continued)

OTHER PUBLICATIONS

“Merry Products Single door dog crate & end table”, posted Dec. 22, 2018[online], [retrieved Apr. 22, 2020]. Retrieved from internet:<https://www.chewy.com/merry-products-slide-aside-single-dp/180904>.*

Primary Examiner — Sandra Snapp
Assistant Examiner — Mehri Bajoul
(74) *Attorney, Agent, or Firm* — Stephen T. Olson; Harness, Dickey & Pierce, P.L.C.

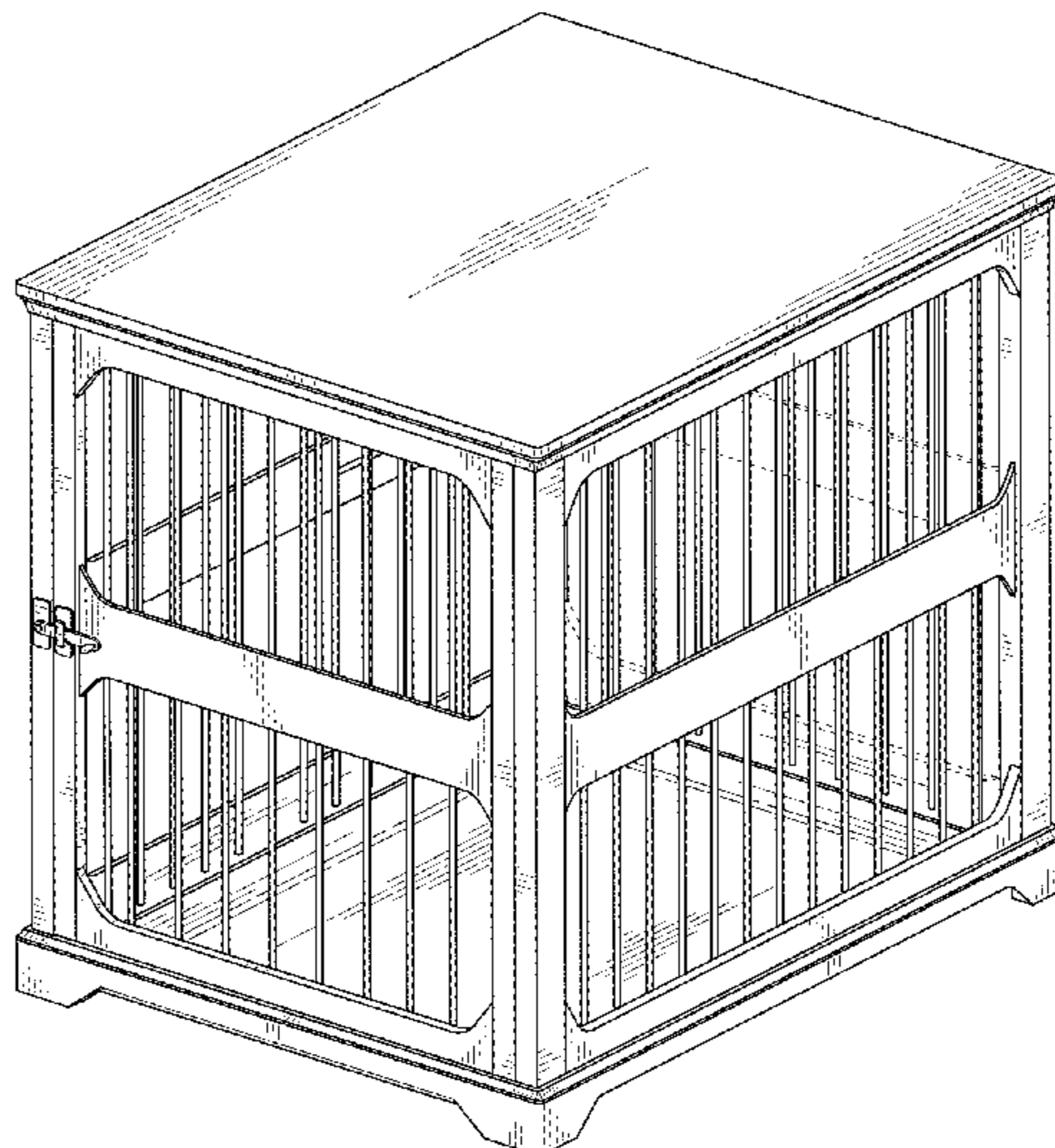
(57) **CLAIM**

The ornamental design for an end table for crating a pet, as shown.

DESCRIPTION

FIG. 1 is a perspective view of an end table for crating a pet in accordance with our design.
FIG. 2 is a front view thereof.
FIG. 3 is a rear view thereof.
FIG. 4 is a right side view, it being understood that the left side view is a mirror image thereof; and,
FIG. 5 is a top view thereof.
The broken lines shown in the drawings depict portions of the end table for crating a pet that form no part of the claimed design.

1 Claim, 5 Drawing Sheets



(56)

References Cited

U.S. PATENT DOCUMENTS

2017/0071149 A1* 3/2017 Northrop A01K 1/034
2018/0142718 A1* 5/2018 Zhu F16B 7/0433
2019/0191664 A1* 6/2019 Xin A47B 13/04

* cited by examiner

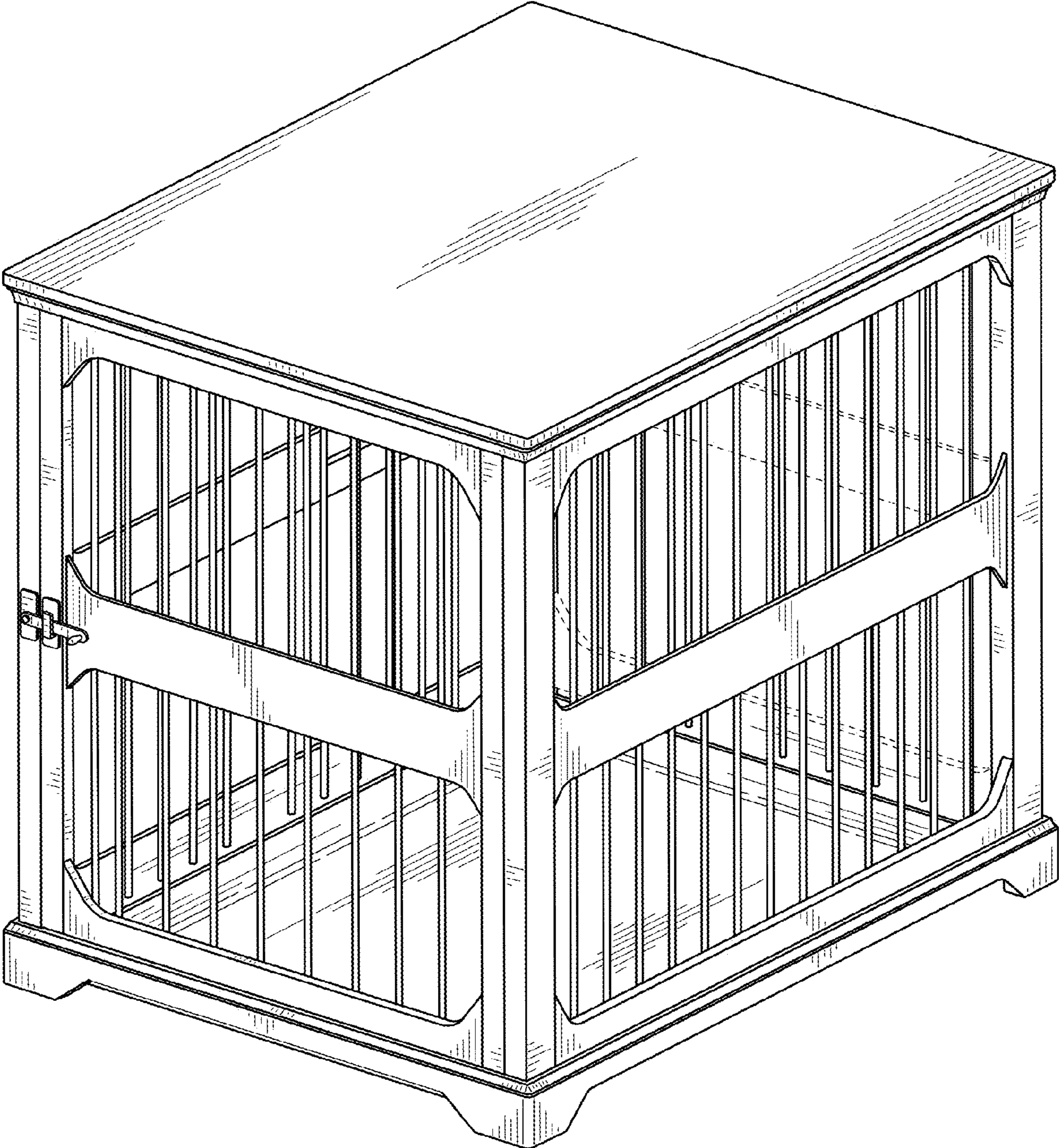


FIG. 1

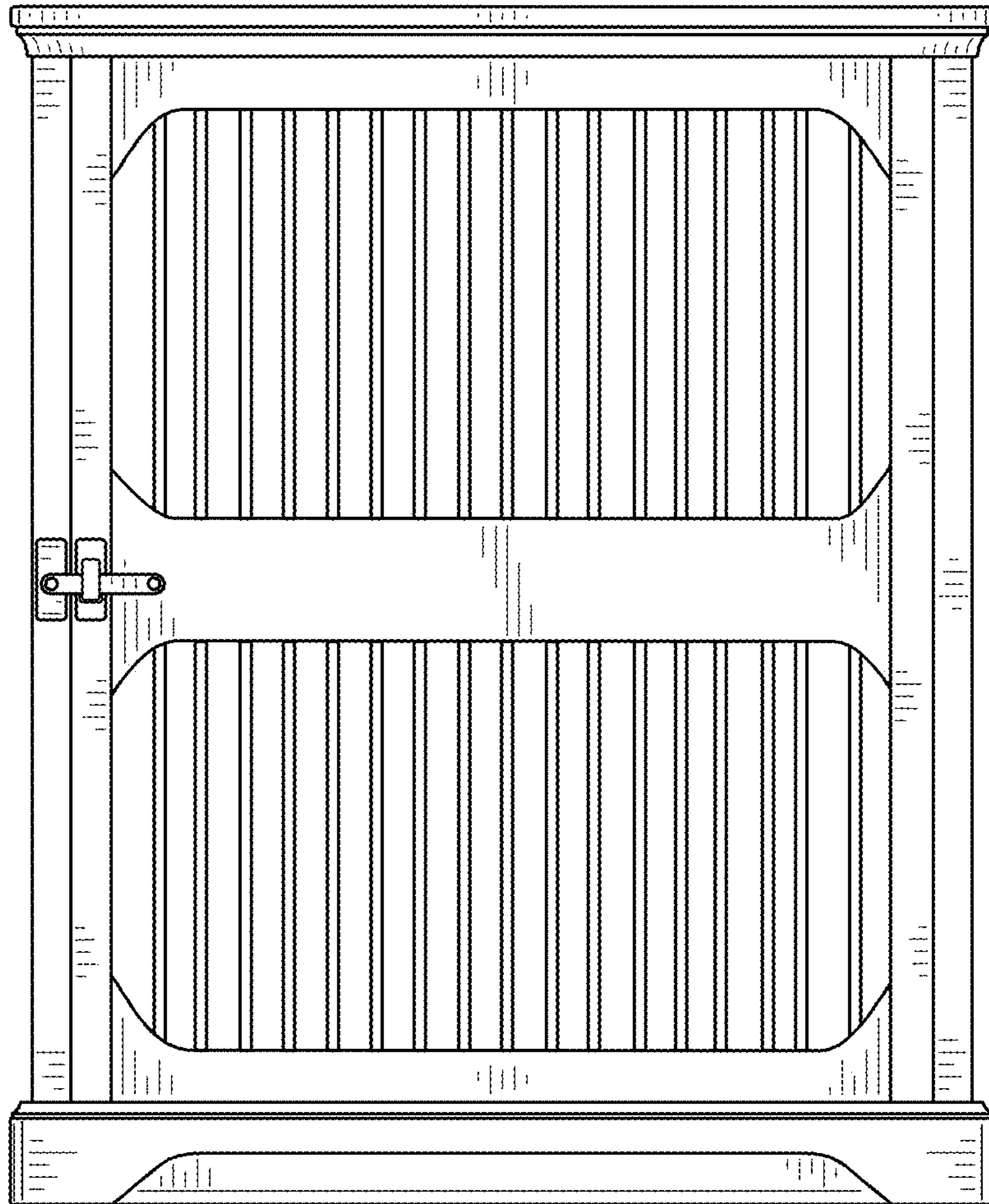


FIG. 2

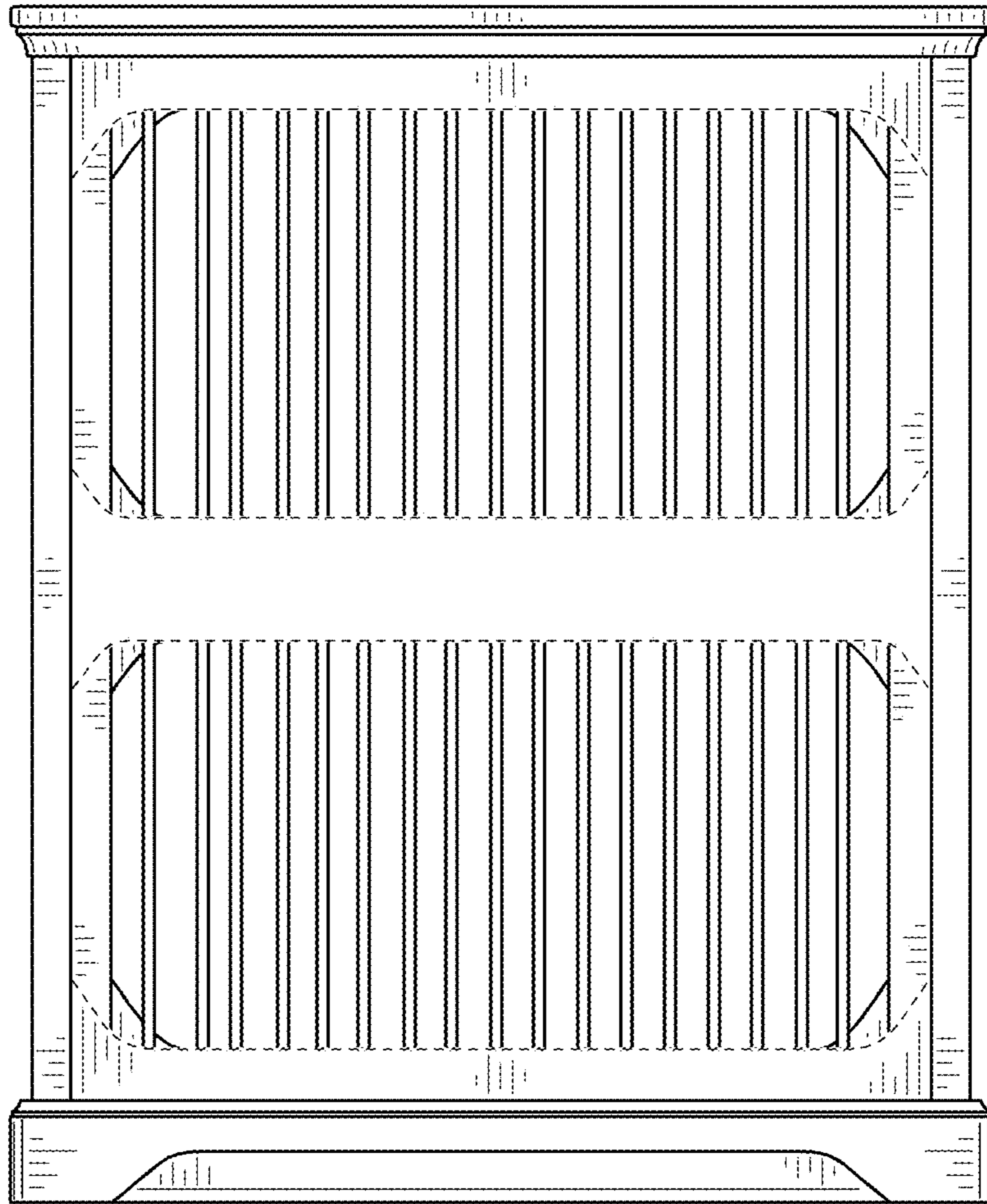


FIG. 3

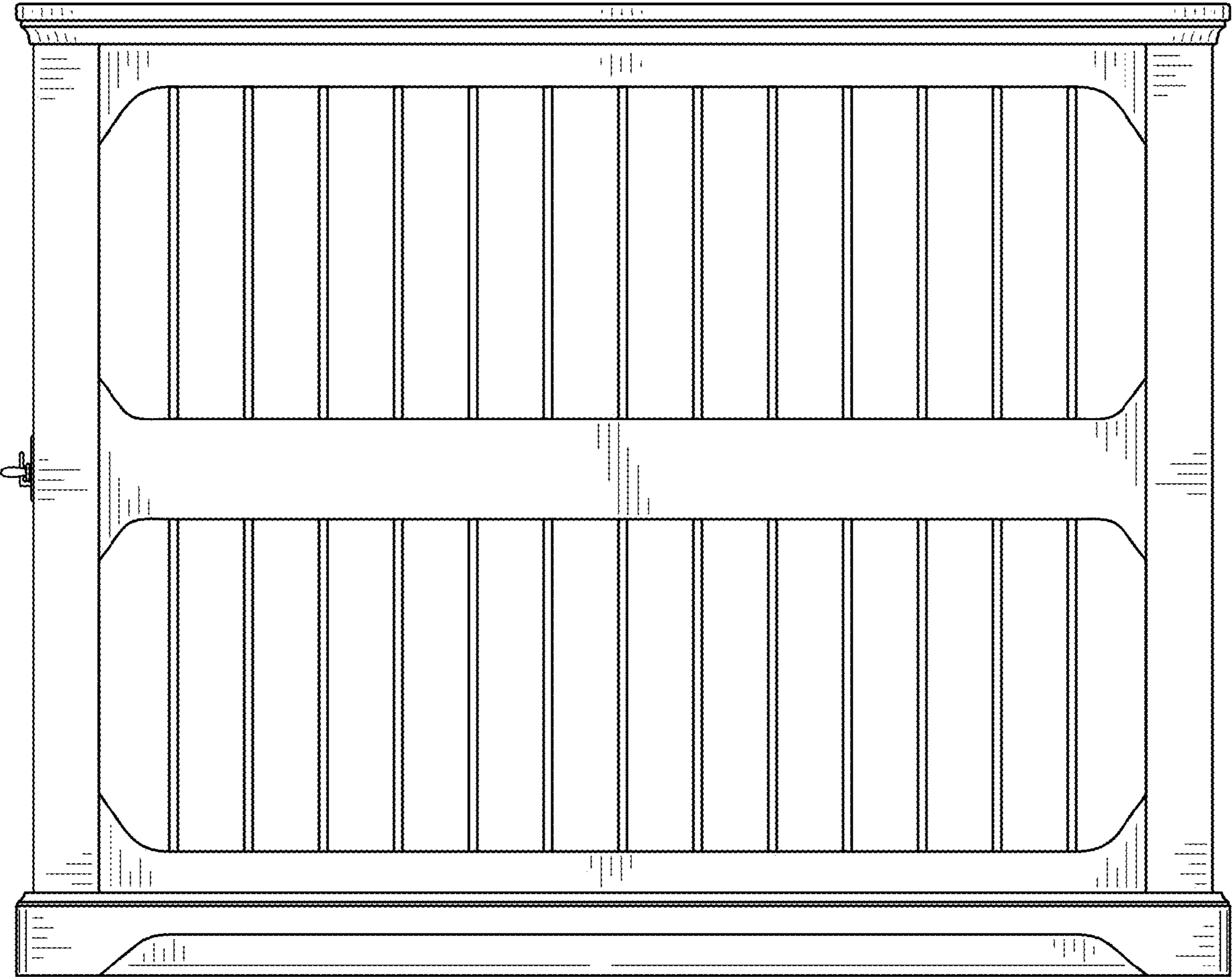


FIG. 4

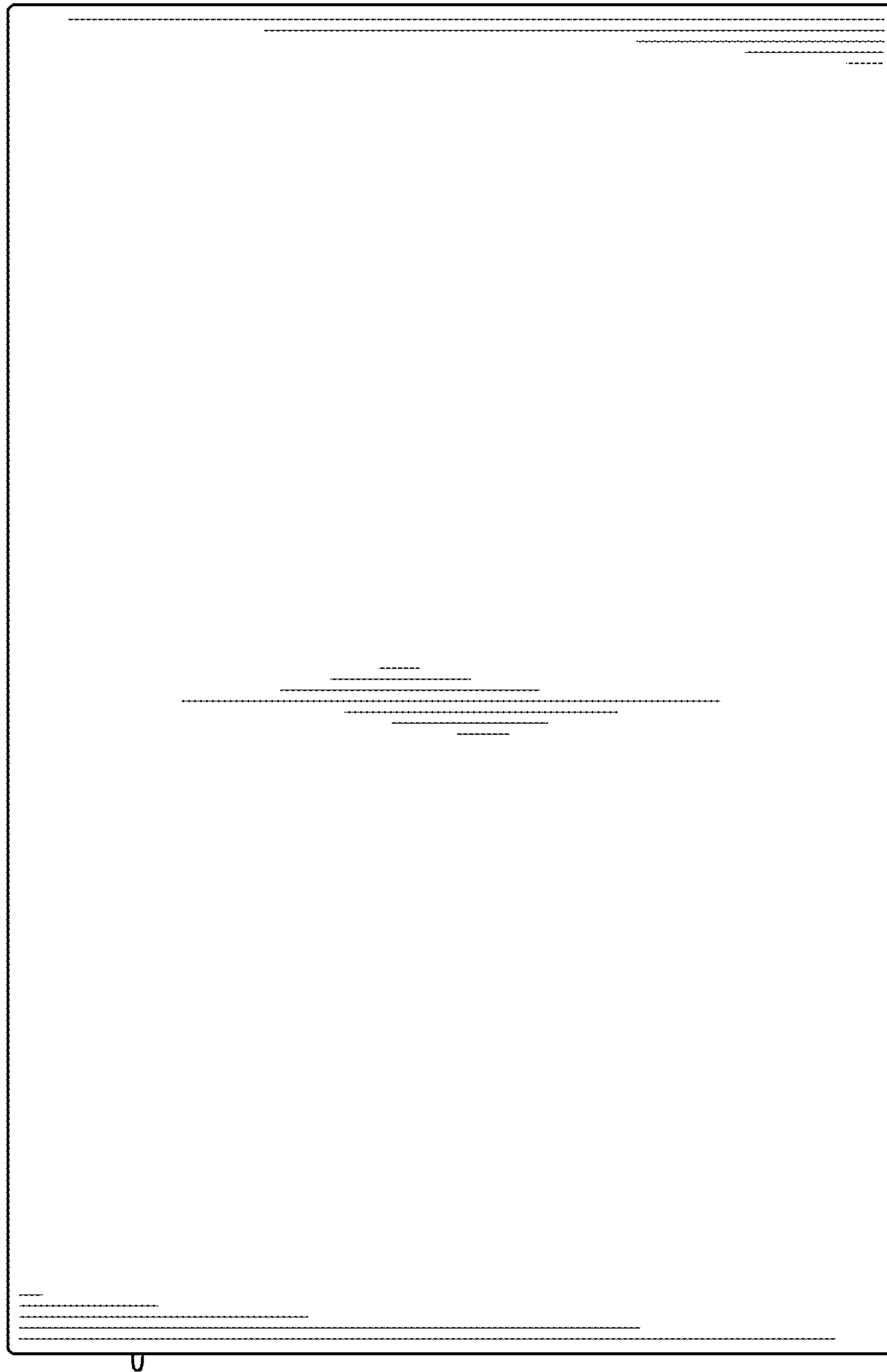


FIG. 5