



US00D903942S

(12) **United States Design Patent** (10) **Patent No.:** **US D903,942 S**
Monaco et al. (45) **Date of Patent:** **** Dec. 1, 2020**

(54) **PROTECTIVE COVER FOR A RAZOR CARTRIDGE**

(71) Applicant: **The Gillette Company LLC**, Boston, MA (US)

(72) Inventors: **Kristin Monaco**, Cambridge, MA (US); **Dean Bernard Sheehan, II**, Billerica, MA (US); **John Hunter Spears**, Boston, MA (US); **Matthew Michael Long**, Methuen, MA (US)

(73) Assignee: **The Gillette Company LLC**, Boston, MA (US)

(**) Term: **15 Years**

(21) Appl. No.: **29/701,211**

(22) Filed: **Aug. 9, 2019**

(51) **LOC (12) Cl.** **28-03**

(52) **U.S. Cl.**
USPC **D28/47**

(58) **Field of Classification Search**
USPC D28/47, 54; D9/735, 736; D3/203.1, D3/205

CPC A45D 27/22-225; B26B 19/382; B26B 19/3826; B26B 19/3846; B26B 19/046; B26B 29/00; B26B 21/40; B26B 21/42; B26B 21/4018; B26B 21/4025; B26B 21/4037; B26B 21/4031; B65D 21/0204

See application file for complete search history.

(56) **References Cited**

U.S. PATENT DOCUMENTS

D247,024 S * 1/1978 Hauf D3/205
D306,216 S 2/1990 Gray
6,185,823 B1 * 2/2001 Brown B26B 21/00
30/50
D490,569 S 5/2004 Prochaska

D509,322 S 9/2005 Wonderley
D534,815 S * 1/2007 White D9/749
D549,574 S * 8/2007 Watson D9/418
D565,289 S * 4/2008 Christie D3/205
D612,992 S 3/2010 Sennett
D650,944 S * 12/2011 Micinilio D28/47
D650,945 S * 12/2011 Micinilio D28/47
D651,344 S * 12/2011 Cataudella D28/47
8,113,347 B2 * 2/2012 Kohring B26B 21/40
206/352
D700,742 S * 3/2014 Micinilio D28/47
8,770,398 B1 * 7/2014 Krok A45D 27/46
206/208
D744,744 S * 12/2015 Lee D3/205
D789,608 S * 6/2017 Lee D28/47
D826,475 S * 8/2018 Denzinger D28/47
D834,252 S * 11/2018 Denzinger D28/47
10,123,606 B1 * 11/2018 Krok B65D 7/04
D835,346 S * 12/2018 Faktorovich D28/47
D872,364 S * 1/2020 Riley D28/47

(Continued)

Primary Examiner — Jennifer Rivard

(74) Attorney, Agent, or Firm — Kevin C. Johnson

(57) **CLAIM**

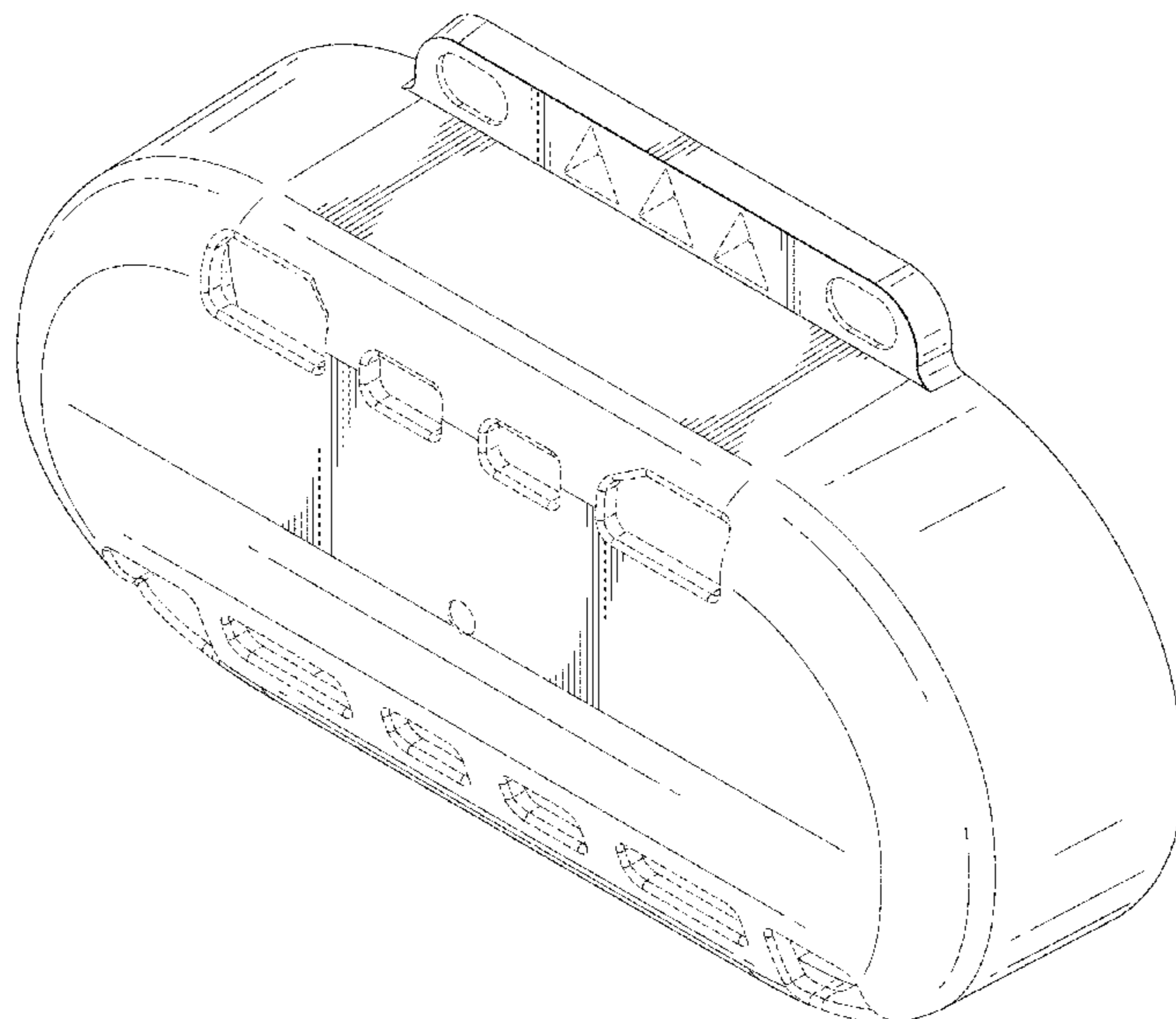
The ornamental design for a protective cover for a razor cartridge, as shown and described.

DESCRIPTION

FIG. 1 is a front perspective view of a protective cover for a razor cartridge of the present invention;
FIG. 2 is a bottom plan view thereof;
FIG. 3 is a top plan view thereof;
FIG. 4 is a right side view thereof;
FIG. 5 is a left side view thereof;
FIG. 6 is a front view thereof;
FIG. 7 is a rear view thereof; and,
FIG. 8 is a top perspective view thereof.

The broken lines shown in the drawings illustrate portions of the protective cover for a razor cartridge and form no part of the claimed design.

1 Claim, 7 Drawing Sheets



(56)

References Cited

U.S. PATENT DOCUMENTS

D874,062 S * 1/2020 McGarry D28/47
2009/0056151 A1 * 3/2009 Kohring A45D 27/225
30/541
2012/0125793 A1 * 5/2012 Benvenuto A45D 27/24
206/349

* cited by examiner

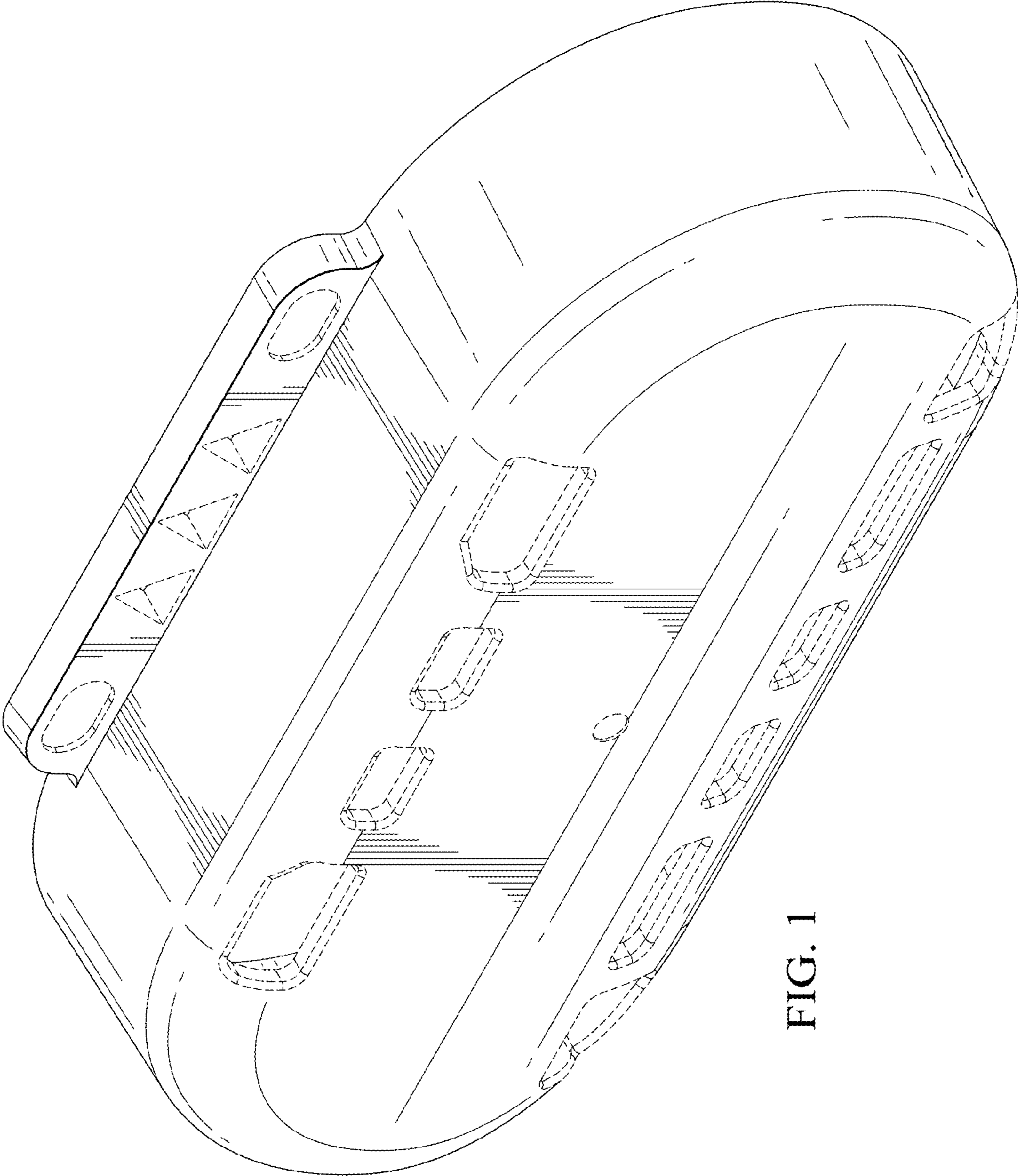


FIG. 1

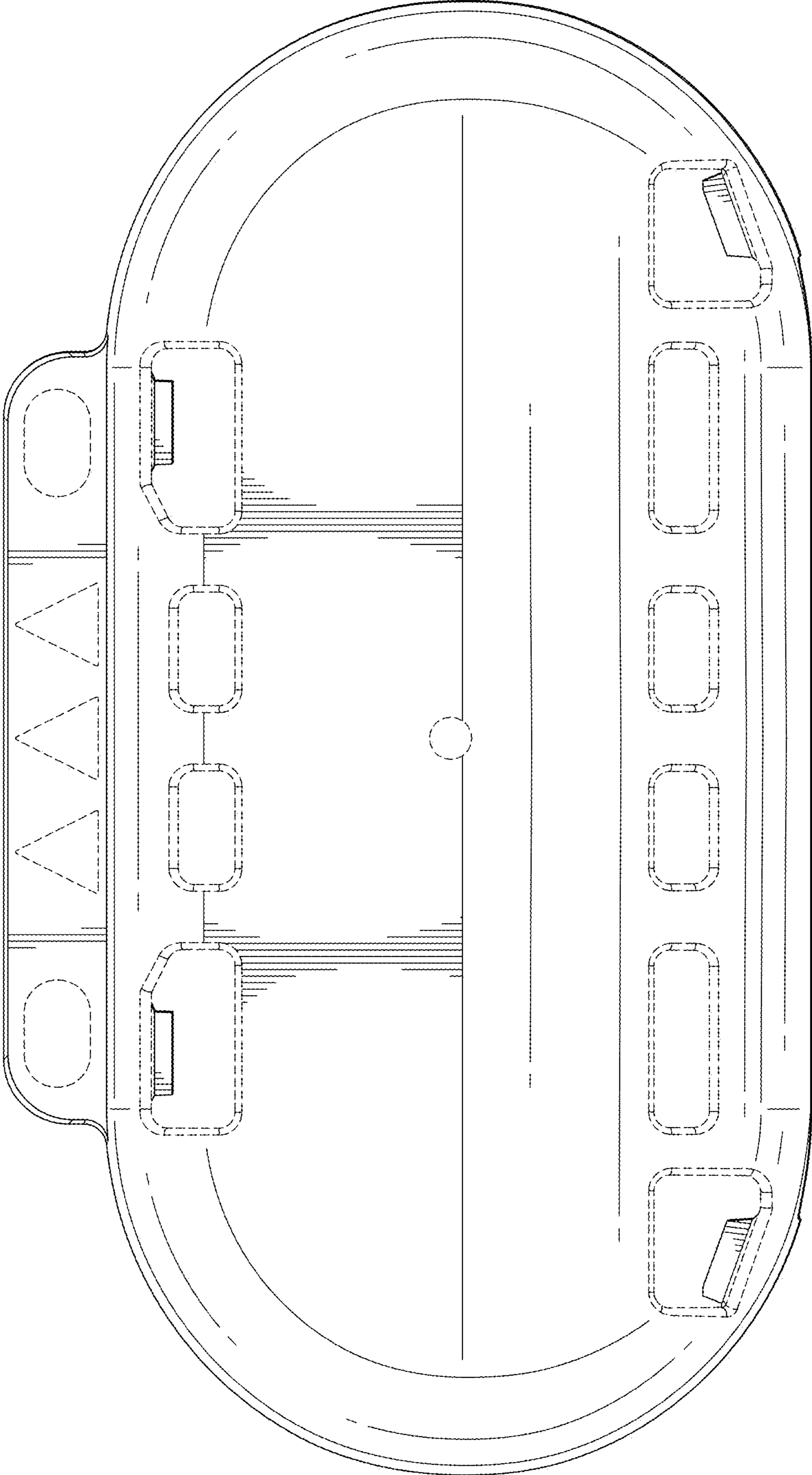


FIG. 2

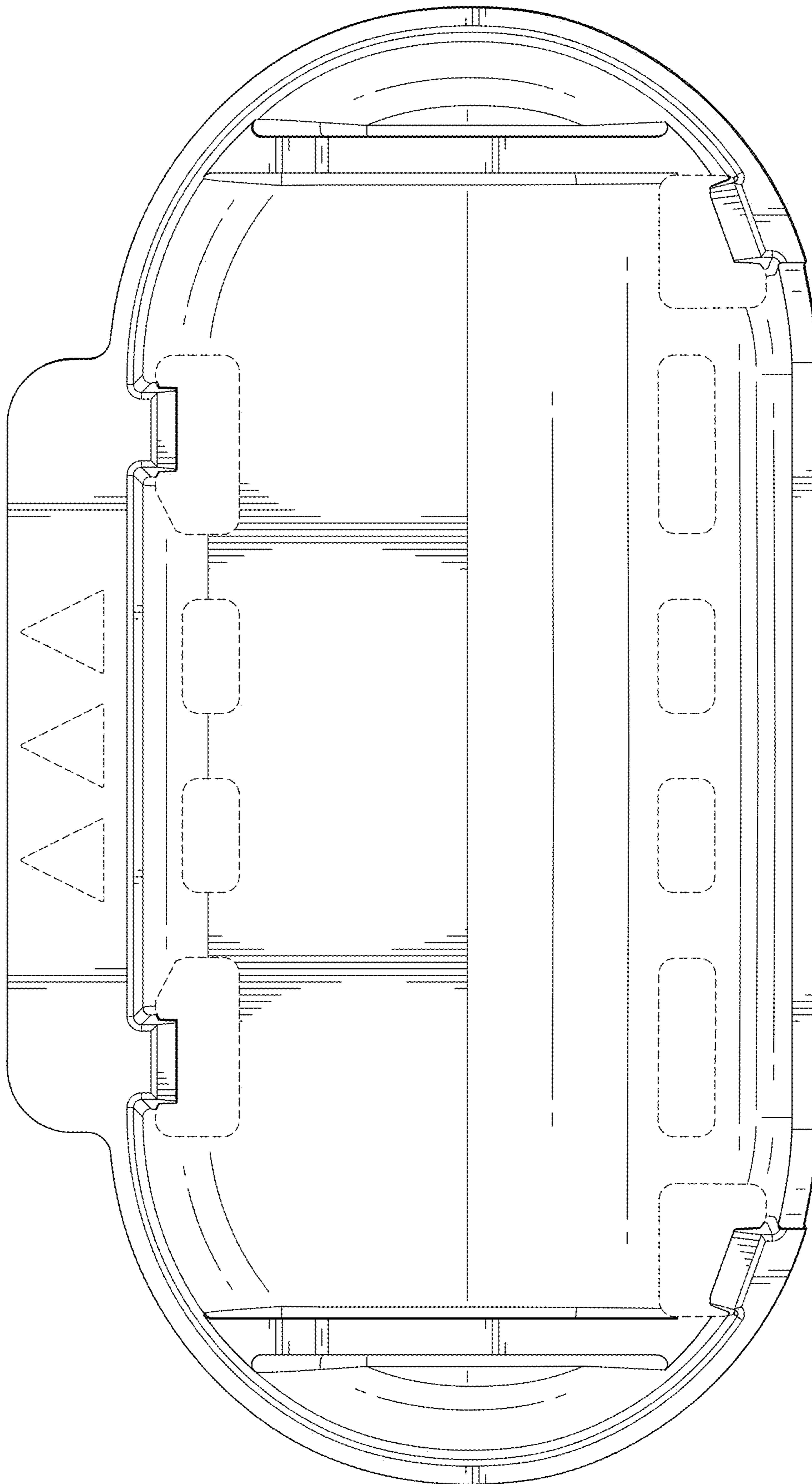


FIG. 3

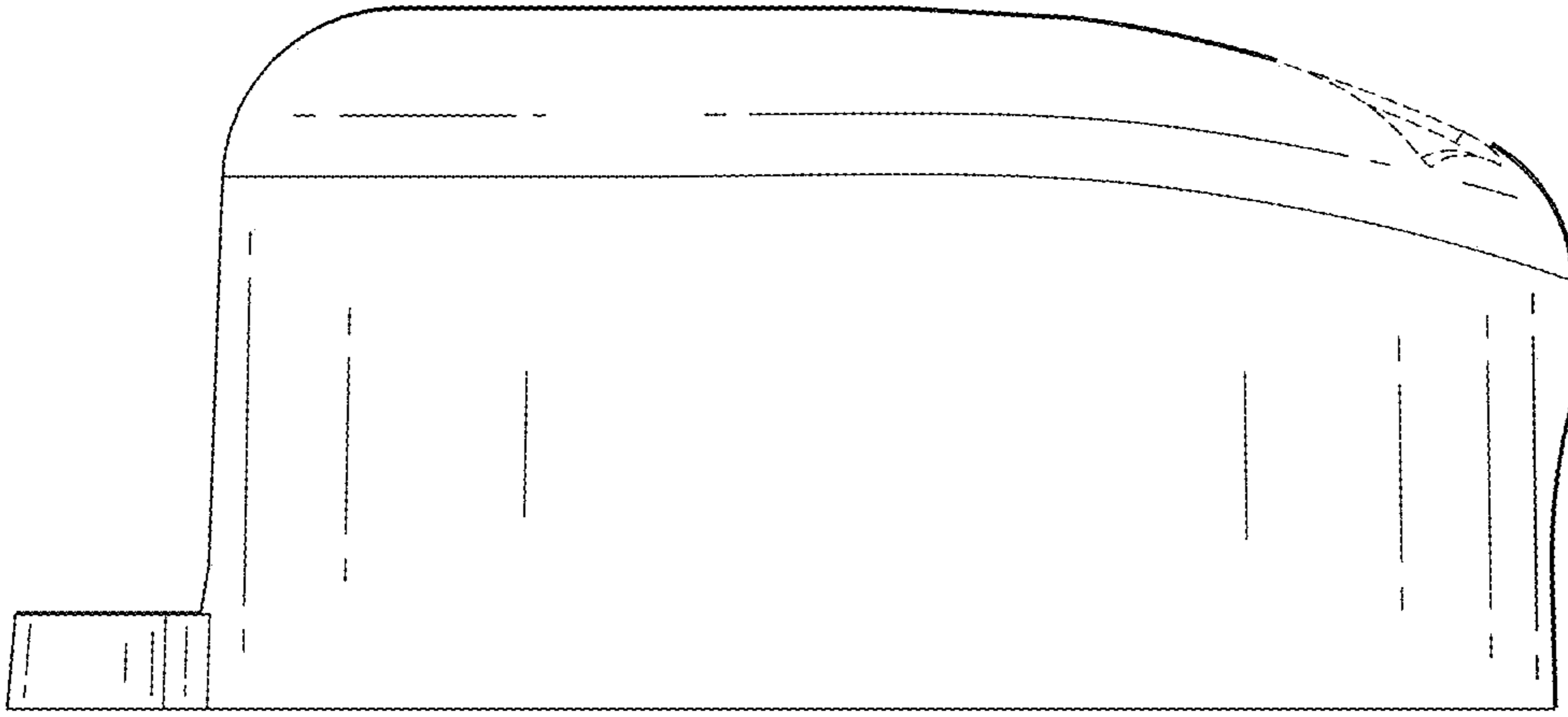


FIG. 5

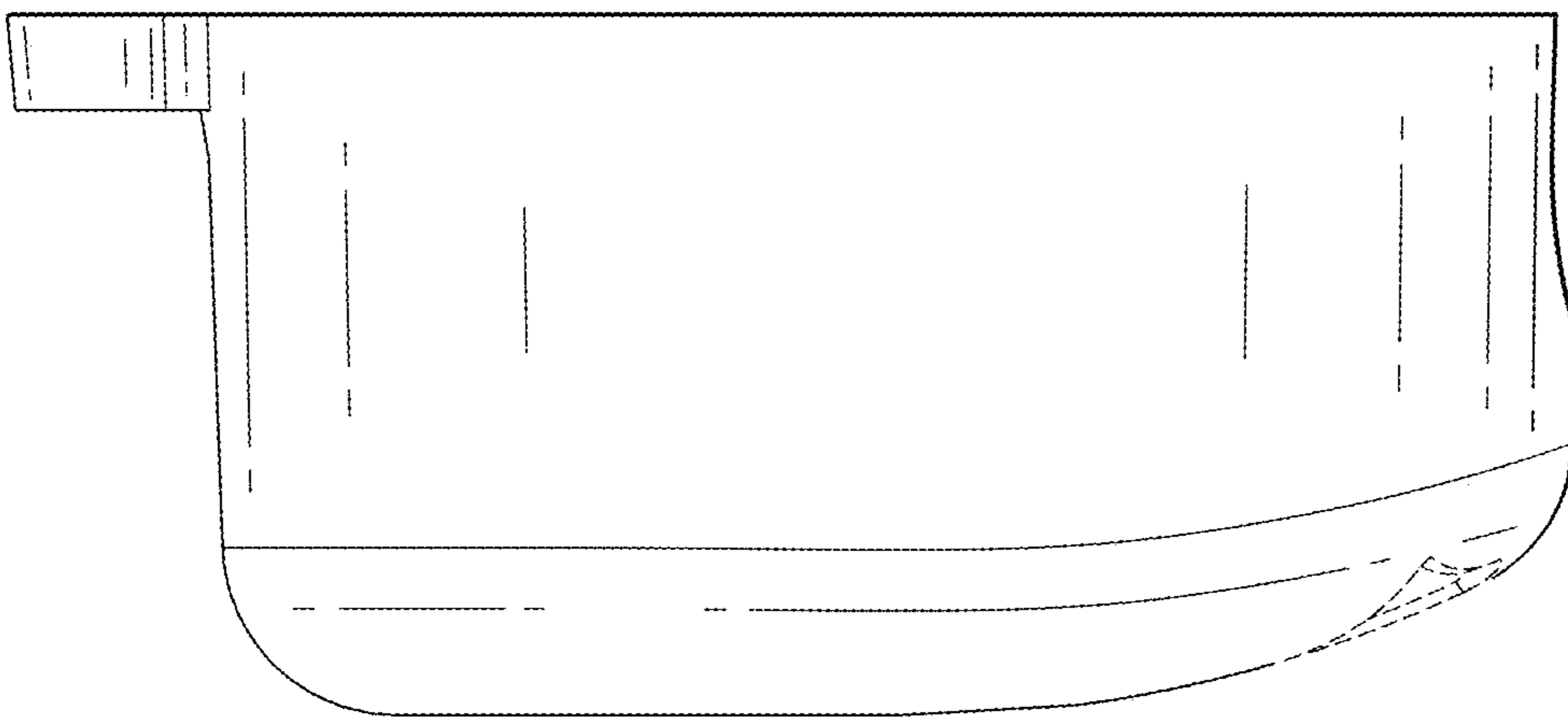


FIG. 4

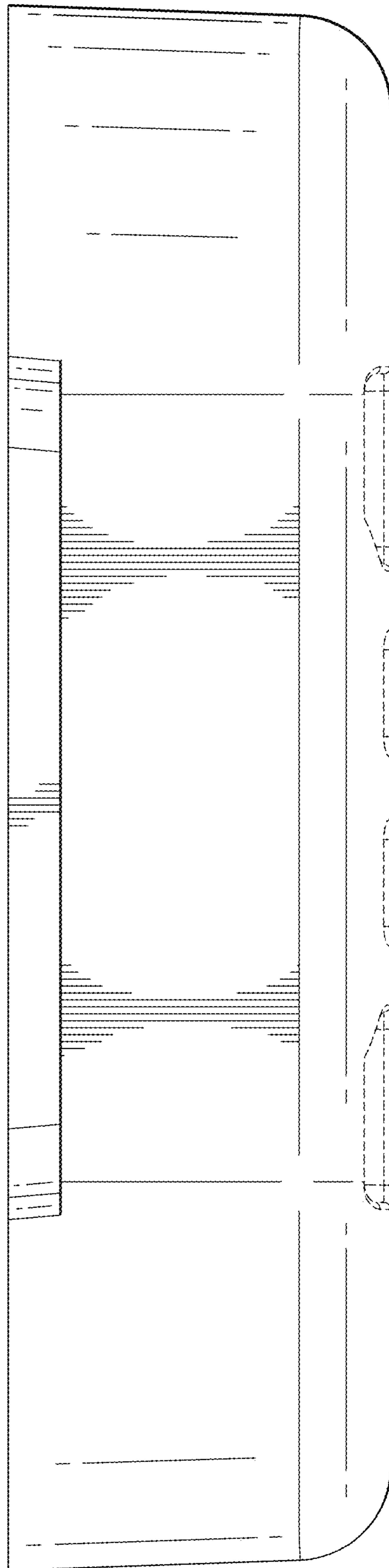


FIG. 6

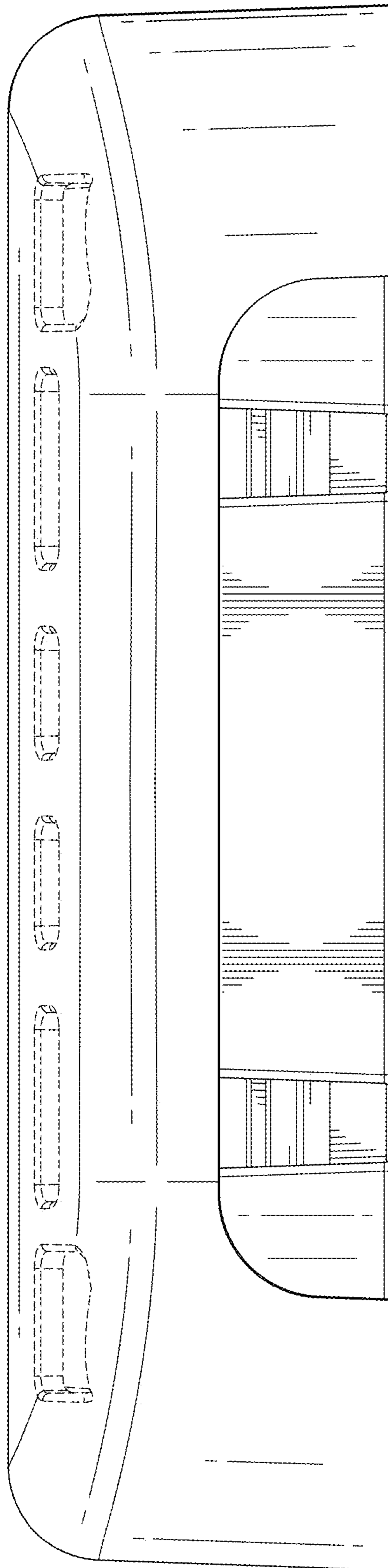


FIG. 7

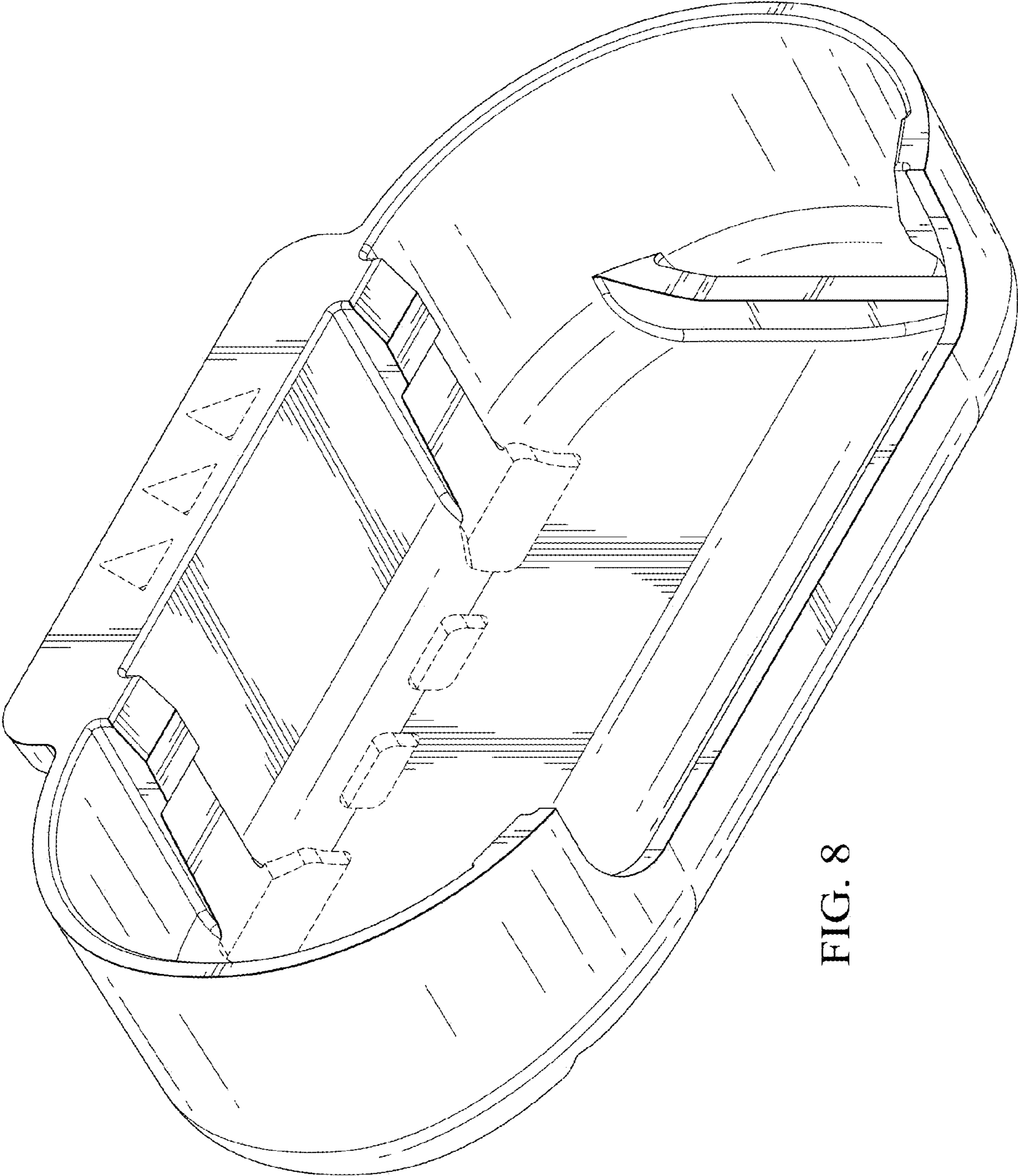


FIG. 8