



US00D903941S

(12) **United States Design Patent** (10) **Patent No.:** **US D903,941 S**
Koenemann et al. (45) **Date of Patent:** **** Dec. 1, 2020**

(54) **HAIR STYLING BRUSH HANDLE**

D879,374 S * 3/2020 Liao D28/13
D880,061 S * 3/2020 Liao D28/15
2015/0135455 A1* 5/2015 Reusche A46B 9/023
15/160

(71) Applicants: **Gary Koenemann**, El Paso, TX (US);
Aakriti Chandra, Jersey City, NJ (US);
Mathieu Zastawny, Jersey City, NJ
(US)

FOREIGN PATENT DOCUMENTS

(72) Inventors: **Gary Koenemann**, El Paso, TX (US);
Aakriti Chandra, Jersey City, NJ (US);
Mathieu Zastawny, Jersey City, NJ
(US)

EM 003419027-0001 * 11/2016
EM 007732748-0002 * 3/2020
GB 6078213 * 12/2019
GB 6080126 * 1/2020

(73) Assignee: **Helen of Troy Limited**, St. Michael
(BB)

OTHER PUBLICATIONS

(**) Term: **15 Years**

Hair Styling tool Dryer Curler Electric Ions rotating Hot Brush by happierplus [on-line]. [Original publication date unknown.] [Retrieved from the Internet Jul. 16, 2020.] for full URL, see p. 10 of printed citation. (Year: 2020).*

(21) Appl. No.: **29/709,710**

(Continued)

(22) Filed: **Oct. 16, 2019**

Primary Examiner — Karen E Eldridge Powers

(51) **LOC (12) Cl.** **28-03**

(74) *Attorney, Agent, or Firm* — Rankin, Hill & Clark LLP

(52) **U.S. Cl.**

USPC **D28/35; D4/100**

(58) **Field of Classification Search**

USPC D4/100, 102, 127, 128, 130, 132, 134,
D4/135, 136, 137, 138, 199; D28/10, 13,
D28/25, 26, 28, 35

CPC A45D 20/00; A45D 20/08; A45D 20/50;
A45D 20/52

See application file for complete search history.

DESCRIPTION

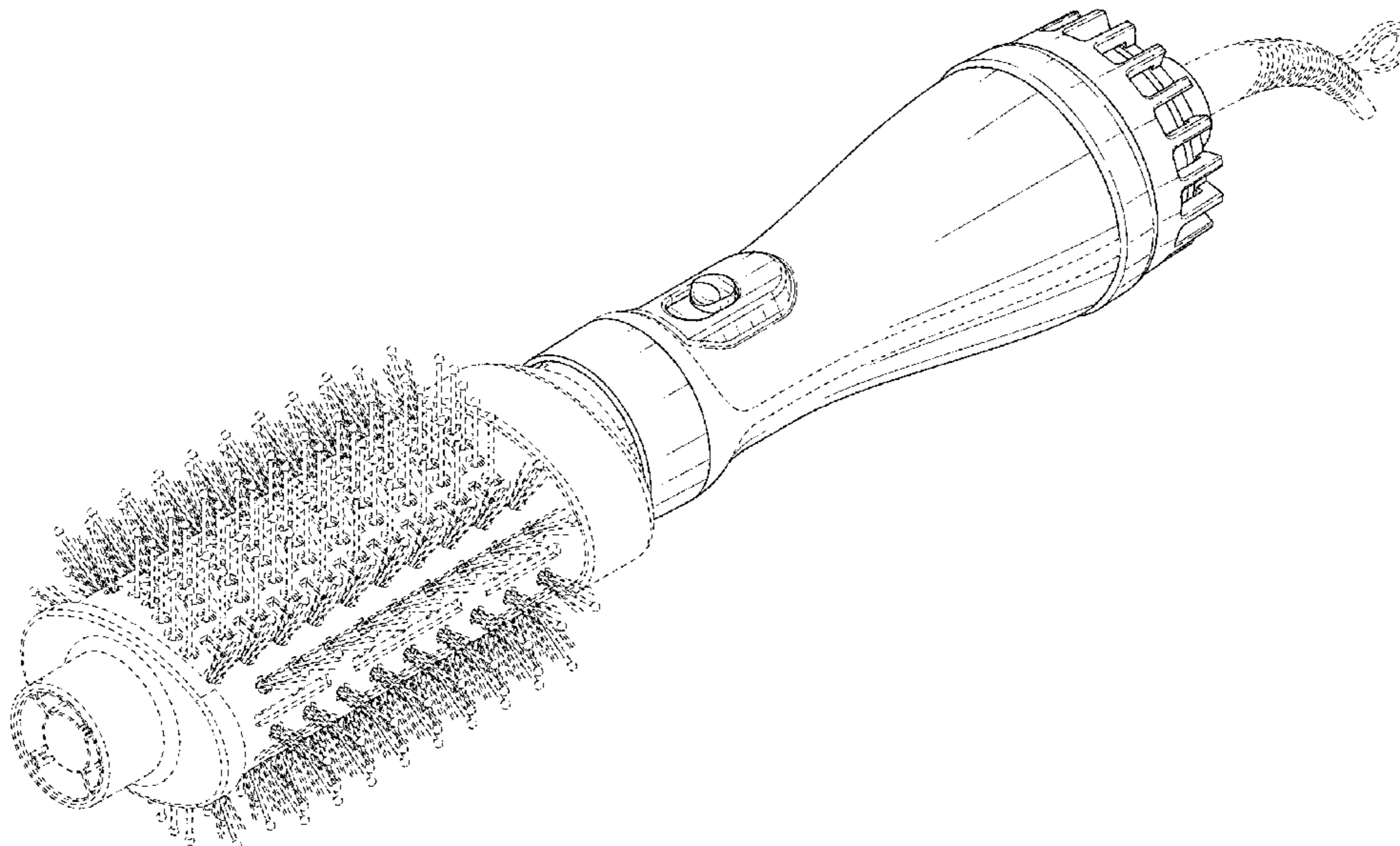
FIG. 1 is a top, front and left side perspective view of a hair styling brush handle;
FIG. 2 is a top plan view thereof;
FIG. 3 is a bottom plan view thereof;
FIG. 4 is a right side elevation view thereof;
FIG. 5 is a left side elevation view thereof;
FIG. 6 is a front elevation view thereof; and,
FIG. 7 is a rear elevation view thereof.
The broken lines depict portions of the hair styling brush handle that form no part of the claimed design.

(56) **References Cited**

U.S. PATENT DOCUMENTS

D263,001 S * 2/1982 Wistrand D28/13
D276,941 S * 12/1984 Stansbury, Jr. D28/13
D341,904 S * 11/1993 Smal D28/15
D471,718 S * 3/2003 Park D4/133
D472,052 S * 3/2003 Park D4/119
D600,403 S * 9/2009 Leung D28/13
D846,888 S * 4/2019 Rosenzweig D4/136

1 Claim, 4 Drawing Sheets



(56)

References Cited

OTHER PUBLICATIONS

Mandi Hot Selling 2 in 1 1000w Hot Hair Hair Brush Hair Dryer Brush . . . [on-line]. [Original publication date unknown.] [Retrieved from the Internet Jul. 16, 2020.] URL: >https://www.alibaba.com/product-detail/Mandi-hot-selling-2-in-1_62482440739.html?spm=a2700.7724857.normalList.31.55ee37b2jk6EzR< (Year: 2020).*

Meraif electric hair curling brush . . . [on-line]. [Original publication date unknown.] [Retrieved from the Internet Jun. 13, 2020.] URL: ><http://www.wickonsmt.com/sale-11488235-meraif-hot-sale-2-in-1-hair-straightener-curling-iron-brush-rotating-electric-ionic-hair-brush.html>< (Year: 2020).*

One Step Hair Dryer and Styler Volumizer . . . by PrettyQueen [on-line]. [Original publication date unknown.] [Retrieved from the Internet Jun. 13, 2020.] for full URL, see p. 10 of the printed citation. (Year: 2020).*

Revlon One-Step Hair Dryer and Volumizer Brush, [on-line] review by Jessica Flores. [Published Apr. 16, 2019.] [Retrieved from the Internet Jun. 13, 2020.] URL: ><https://findingflotoro.com/revlon-one-step-hair-dryer-brush/>< (Year: 2019).*

Yinkor 4 in 1 One Step Hair Dryer & Volumizer . . . [on-line]. [Original publication date unknown.] [Retrieved from the Internet Jul. 16, 2020.] for full URL, see p. 7 of the printed citation. (Year: 2020).*

* cited by examiner

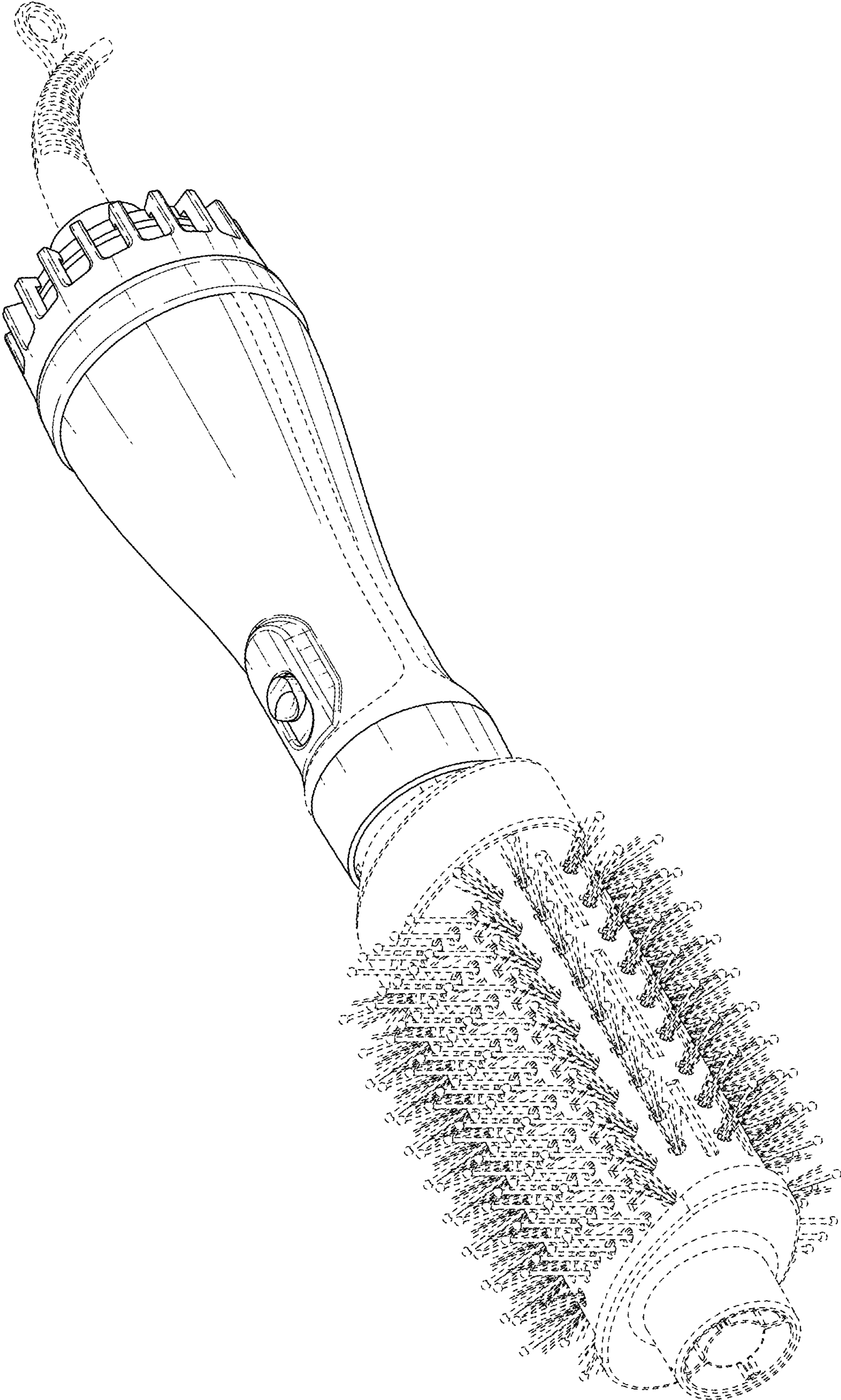


FIG. 1

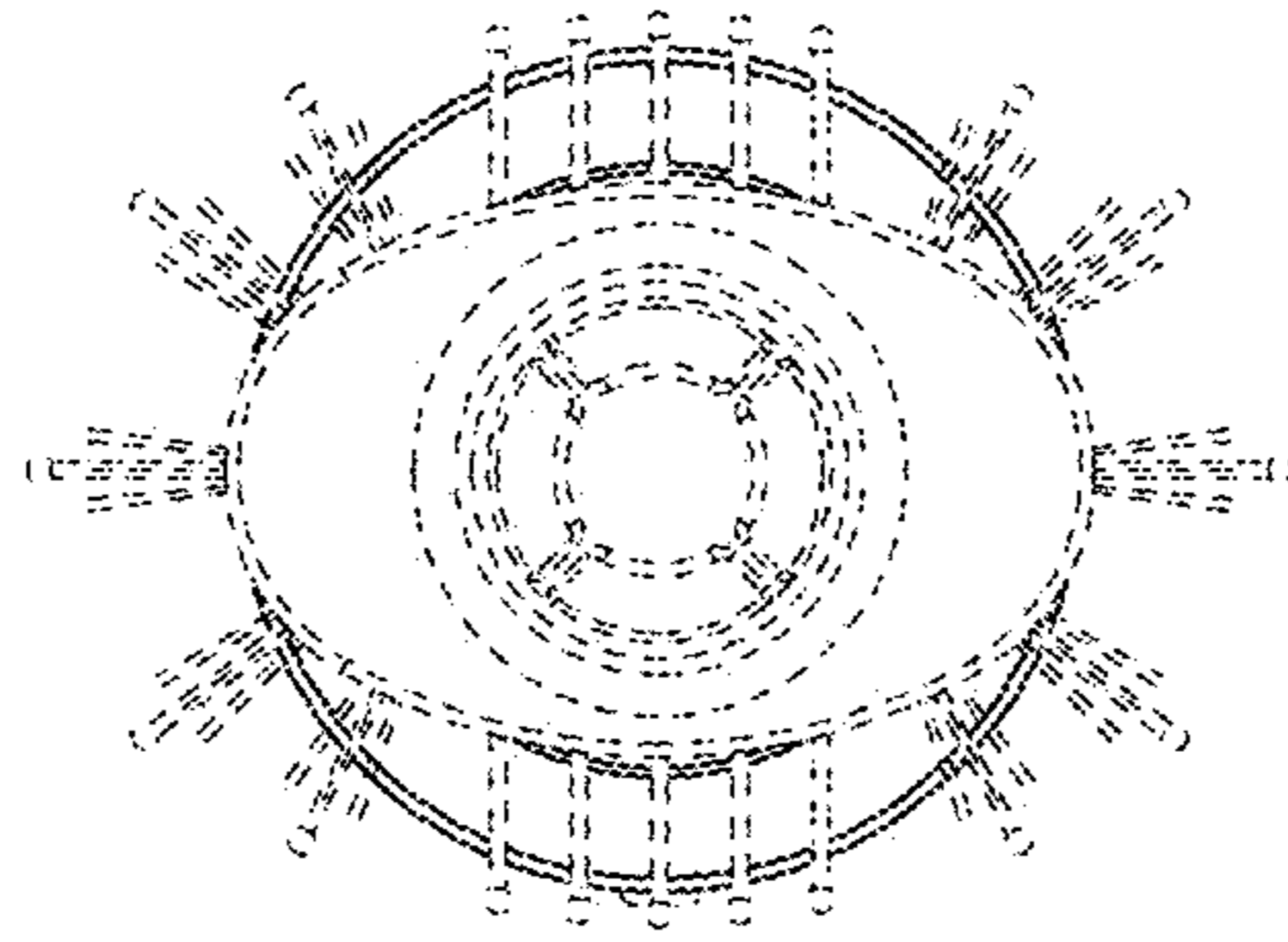


FIG. 2

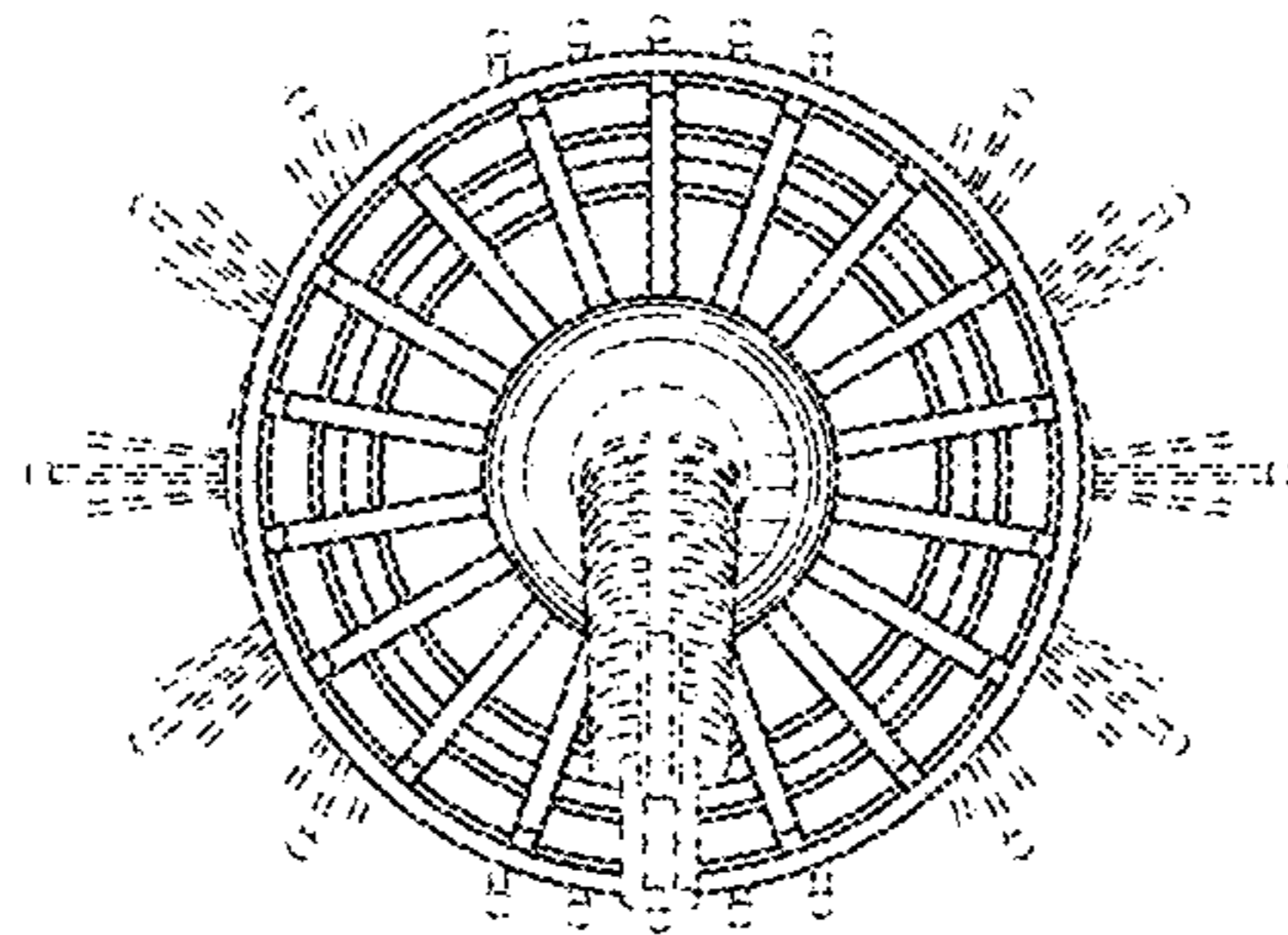


FIG. 3

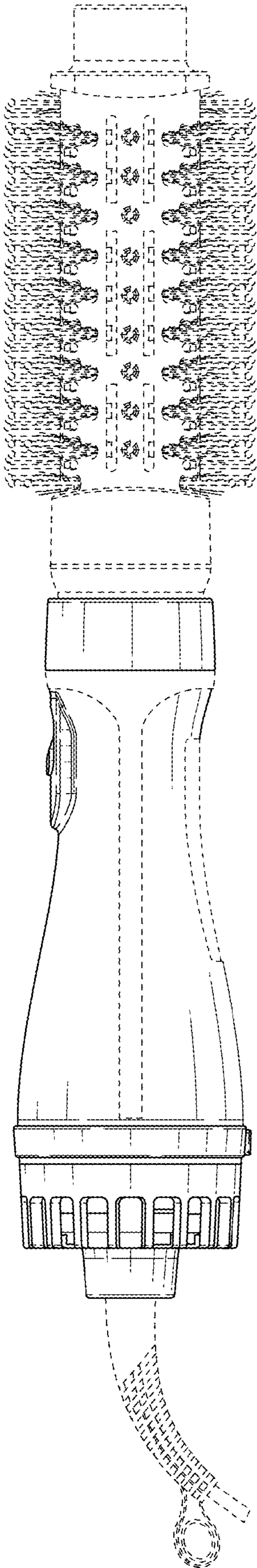


FIG. 4

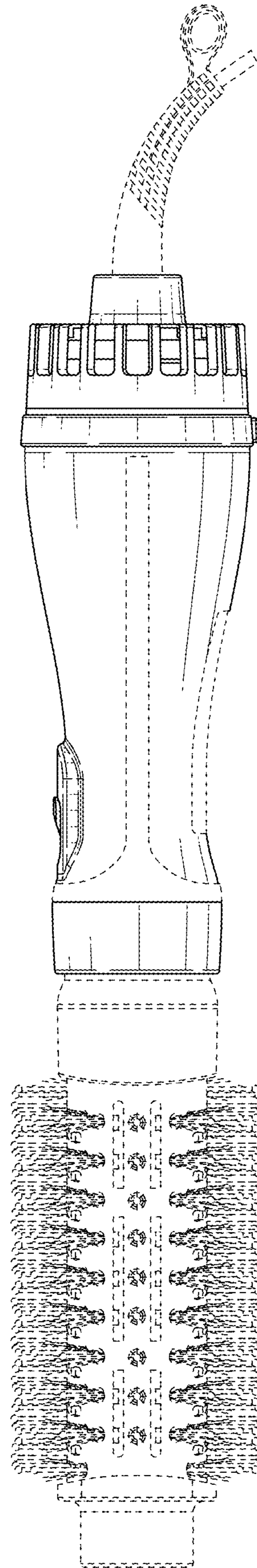


FIG. 5

