



US00D903940S

(12) **United States Design Patent**
Huang

(10) **Patent No.:** **US D903,940 S**

(45) **Date of Patent:** **** Dec. 1, 2020**

(54) **HAIR DRYER**

(71) Applicant: **Guangdong Huanengda Electrical appliances Co., LTD., Jieyang (CN)**

(72) Inventor: **Huaqun Huang, Jieyang (CN)**

(73) Assignee: **Guangdong Huanengda Electrical appliances Co., LTD., Jieyang (CN)**

(**) Term: **15 Years**

(21) Appl. No.: **29/701,361**

(22) Filed: **Aug. 11, 2019**

(51) **LOC (12) Cl.** **28-03**

(52) **U.S. Cl.**
USPC **D28/13**

(58) **Field of Classification Search**
USPC D28/12-19
CPC A45D 20/04; A45D 20/06; A45D 20/08;
A45D 20/10; A45D 20/128
See application file for complete search history.

(56) **References Cited**

U.S. PATENT DOCUMENTS

D412,219 S * 7/1999 Goetschi D28/13
D425,242 S * 5/2000 Cheung D28/13

D615,243 S * 5/2010 Parodi D28/13
D651,341 S * 12/2011 Schmitz D28/13
D716,998 S * 11/2014 Americano A45D 20/122
D28/13
D850,717 S * 6/2019 Huang D28/13
D858,873 S * 9/2019 Park D28/13

* cited by examiner

Primary Examiner — Zenia I Bennett

(74) *Attorney, Agent, or Firm* — Dragon Sun Law Firm, PC; Jinggao Li, Esq.

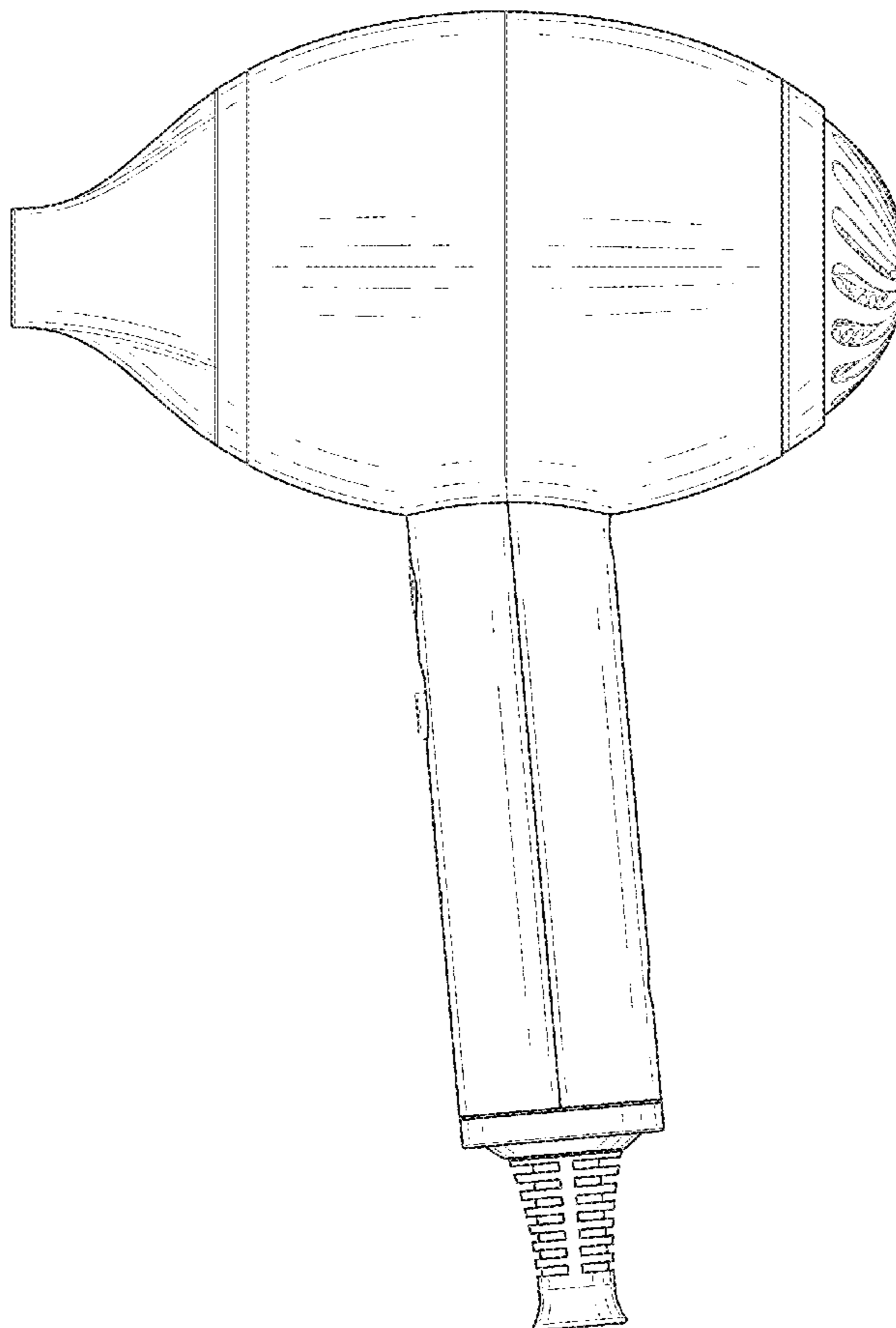
(57) **CLAIM**

The ornamental design for a hair dryer, as shown and described.

DESCRIPTION

FIG. 1 is an isolated view of a hair dryer showing my new design;
FIG. 2 is a top plan view thereof;
FIG. 3 is a bottom plan view thereof;
FIG. 4 is a right side view thereof;
FIG. 5 is a left side view thereof;
FIG. 6 is a back view thereof; and,
FIG. 7 is a front view thereof.

1 Claim, 7 Drawing Sheets



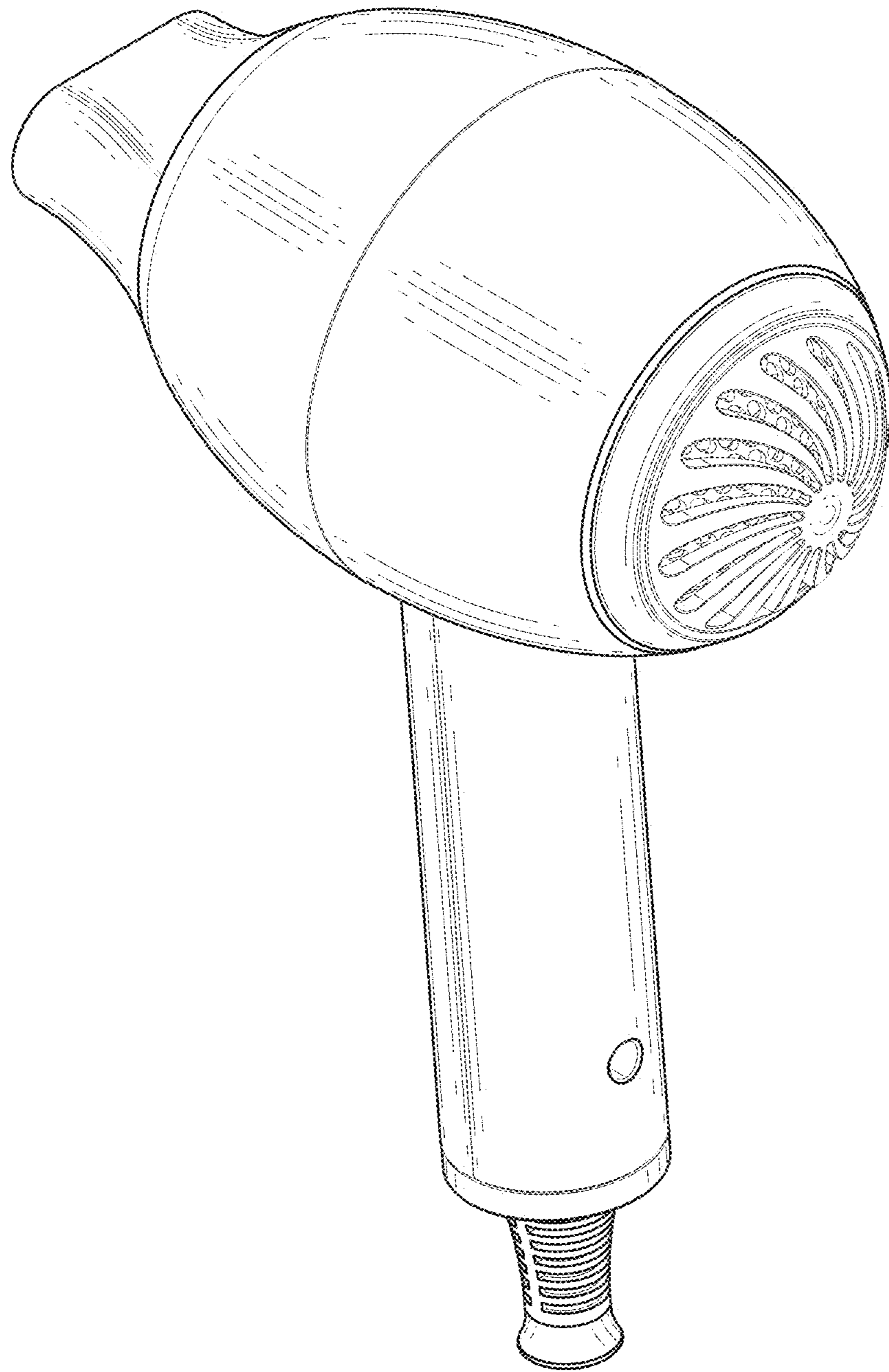


FIG. 1

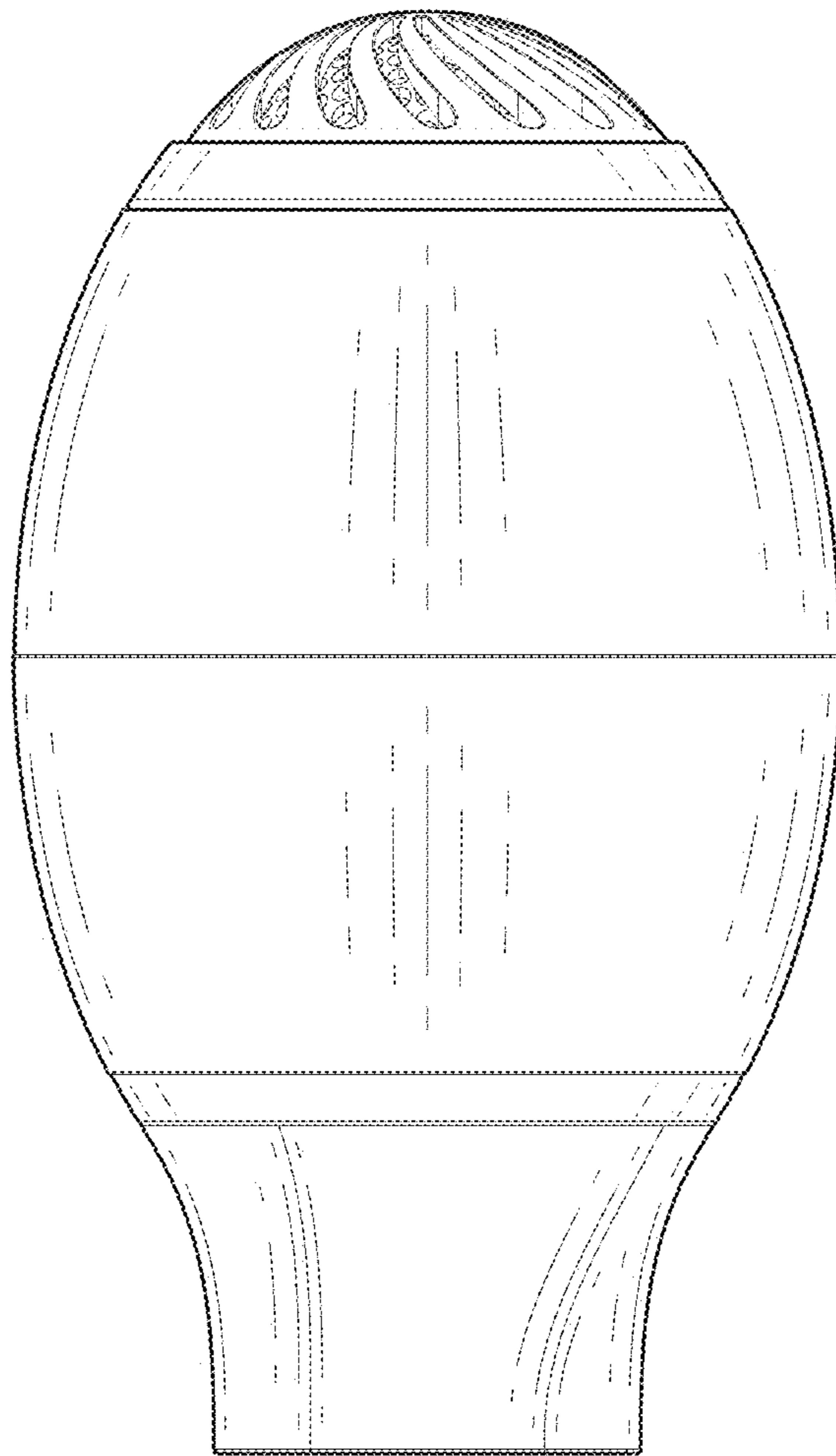


FIG. 2

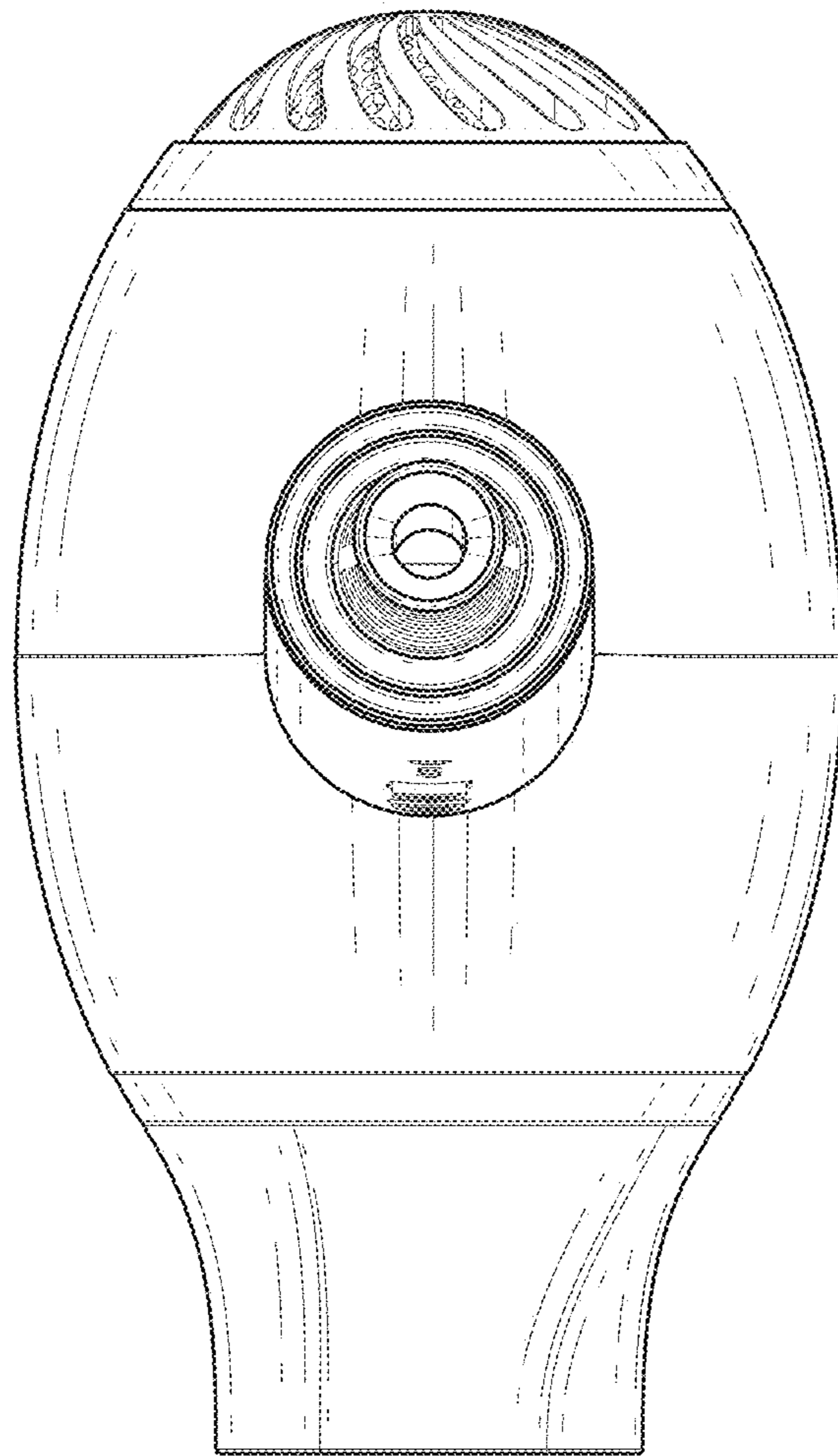


FIG. 3

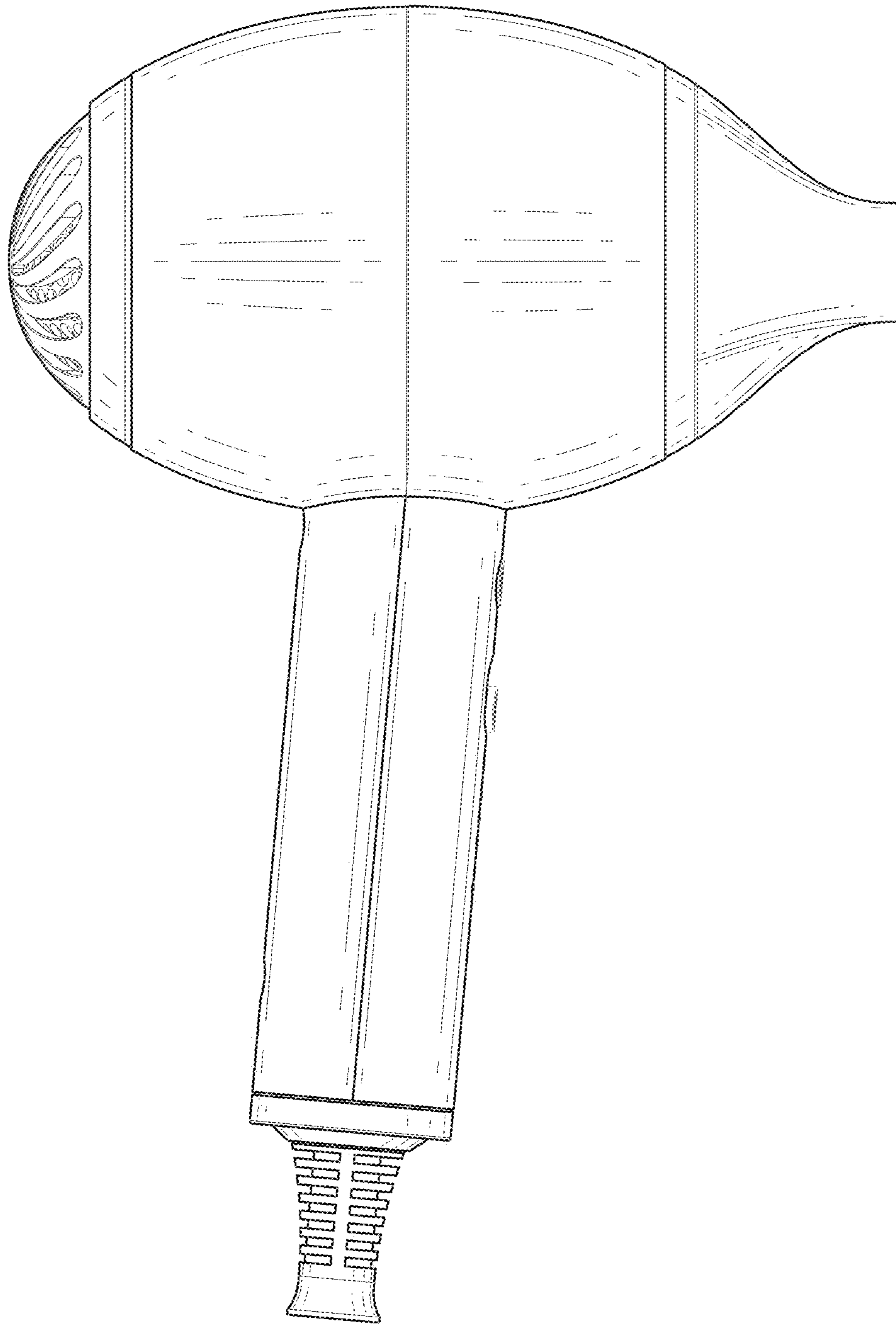


FIG. 4

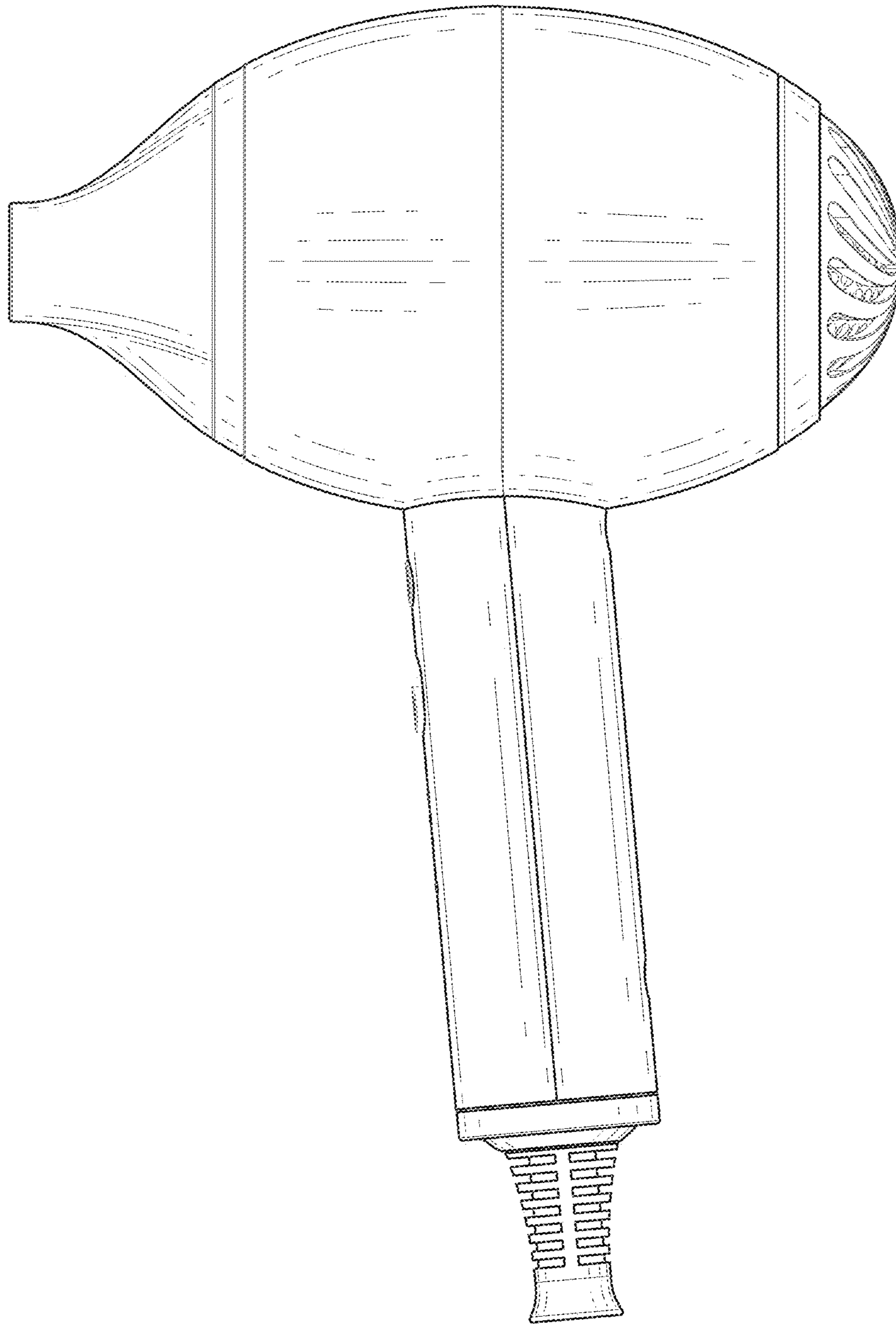


FIG. 5

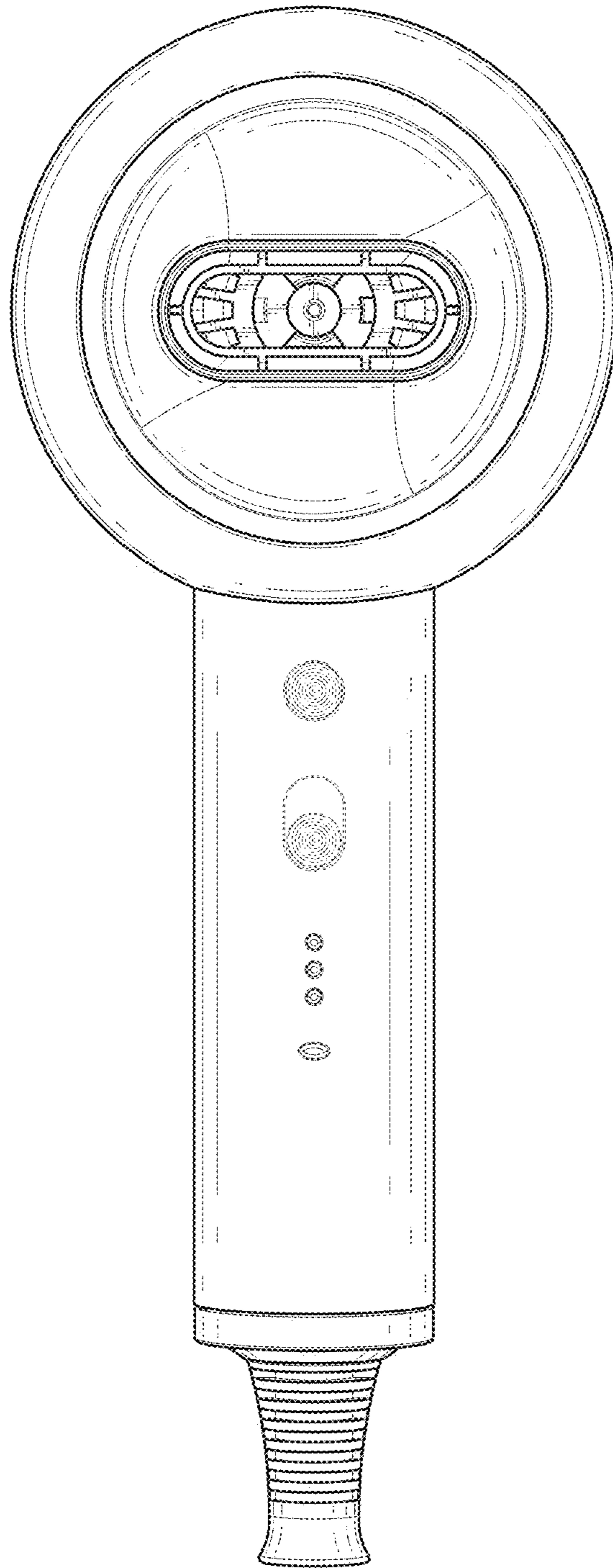


FIG. 6

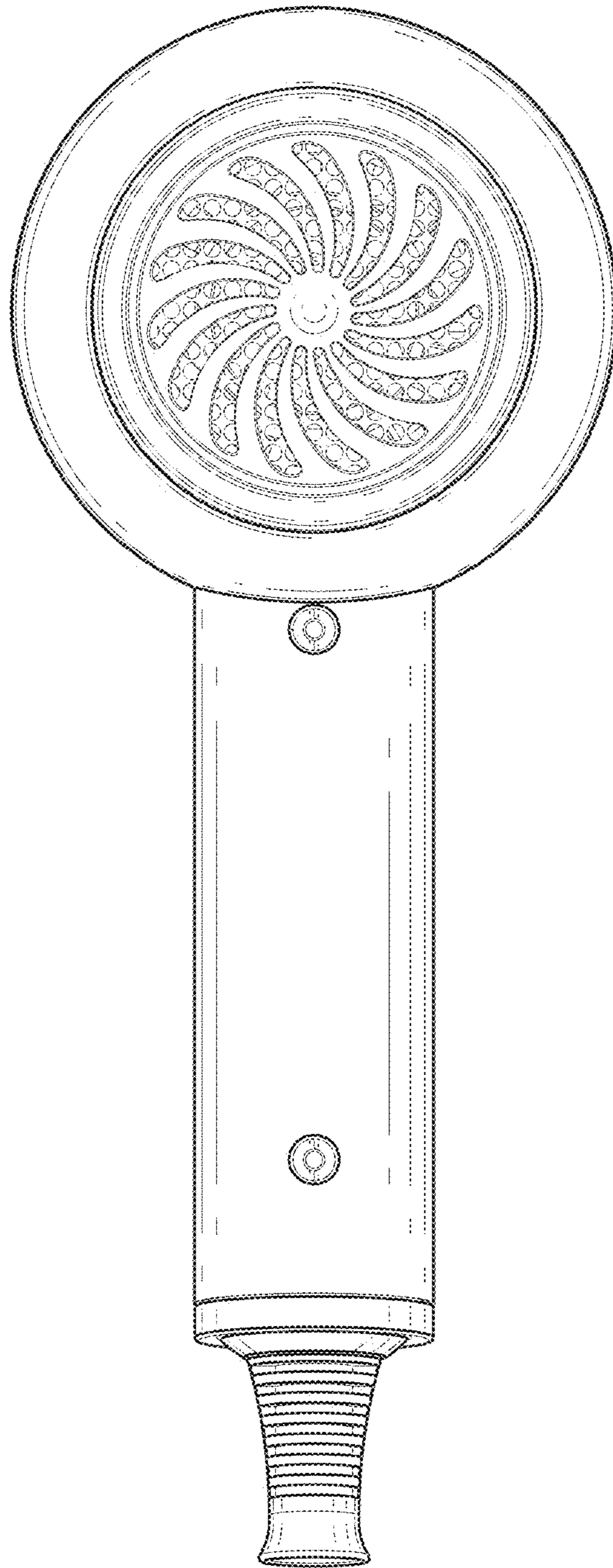


FIG. 7