



US00D903939S

(12) **United States Design Patent** (10) **Patent No.:** **US D903,939 S**
Tung (45) **Date of Patent:** **** Dec. 1, 2020**

- (54) **SHEATH** D608,048 S * 1/2010 Parsons B65D 5/0209
D27/186
- (71) Applicant: **Philip Morris Products S.A.,** D617,495 S * 6/2010 LoRe D27/172
Neuchatel (CH) D617,942 S * 6/2010 LoRe D27/172
D618,392 S * 6/2010 LoRe D27/172
- (72) Inventor: **Jeffrey Tung**, San Francisco, CA (US) D663,892 S * 7/2012 Arcos Bellvehi D27/172
D735,935 S * 8/2015 Burrell D27/183
- (73) Assignee: **Philip Morris Products S.A.,** D789,077 S * 6/2017 Seo D3/220
Neuchatel (CH) D863,668 S * 10/2019 Kurdzialek D27/144

* cited by examiner

(**) Term: **15 Years**

(21) Appl. No.: **29/677,586**

(22) Filed: **Jan. 22, 2019**

(30) **Foreign Application Priority Data**

Jul. 23, 2018 (EM) 005510849-0004

(51) **LOC (12) Cl.** **27-06**

(52) **U.S. Cl.**
USPC **D27/172**

(58) **Field of Classification Search**
USPC D27/172, 186, 187, 180, 183, 174-176,
D27/178, 193; 131/180, 187, 192, 178,
131/329; 206/242, 275, 276
CPC A24F 13/02; A24F 13/14
See application file for complete search history.

(56) **References Cited**

U.S. PATENT DOCUMENTS

- D388,955 S * 1/1998 Markiewicz D3/228
- D441,494 S * 5/2001 Chen D27/144

Primary Examiner — Marissa J Cash
Assistant Examiner — Rebecca Tsehaye
(74) *Attorney, Agent, or Firm* — Oblon, McClelland,
Maier & Neustadt, L.L.P.

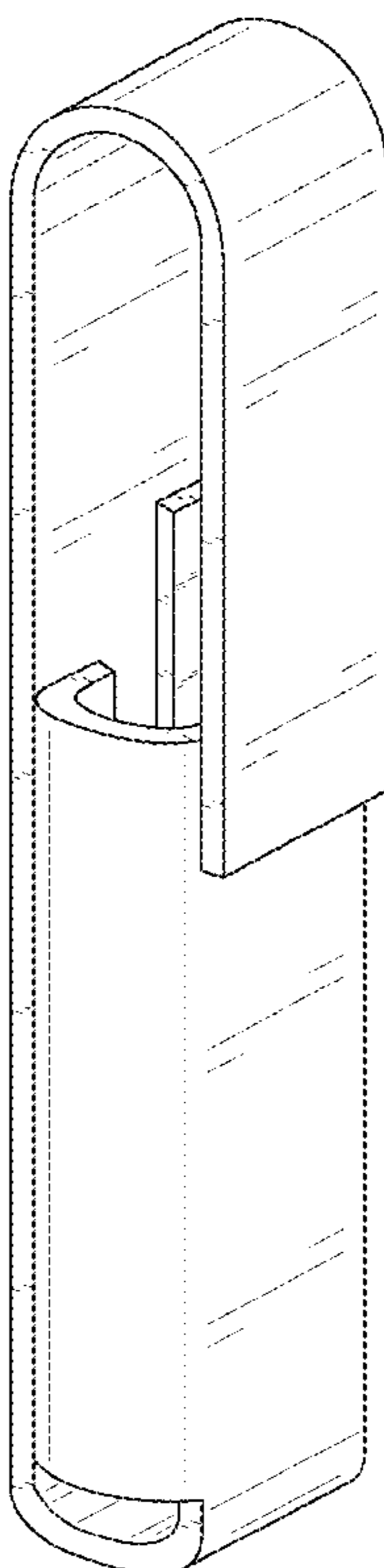
(57) **CLAIM**

The ornamental design for a sheath, as shown and described.

DESCRIPTION

FIG. 1 is a front, top, and left side perspective view of a sheath;
FIG. 2 is a front elevational view thereof;
FIG. 3 is a rear elevational view thereof;
FIG. 4 is a top plan view thereof;
FIG. 5 is a bottom plan view thereof;
FIG. 6 is a right side elevational view thereof; and,
FIG. 7 is a left side elevational view thereof.
The broken lines in the drawings depict portions of the sheath that form no part of the claimed design.

1 Claim, 7 Drawing Sheets



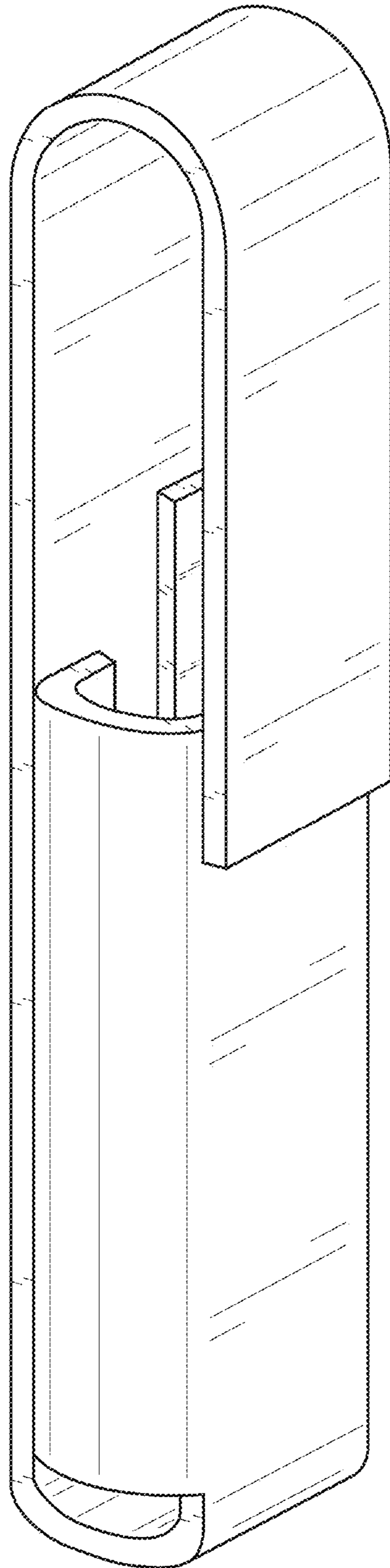


FIG. 1

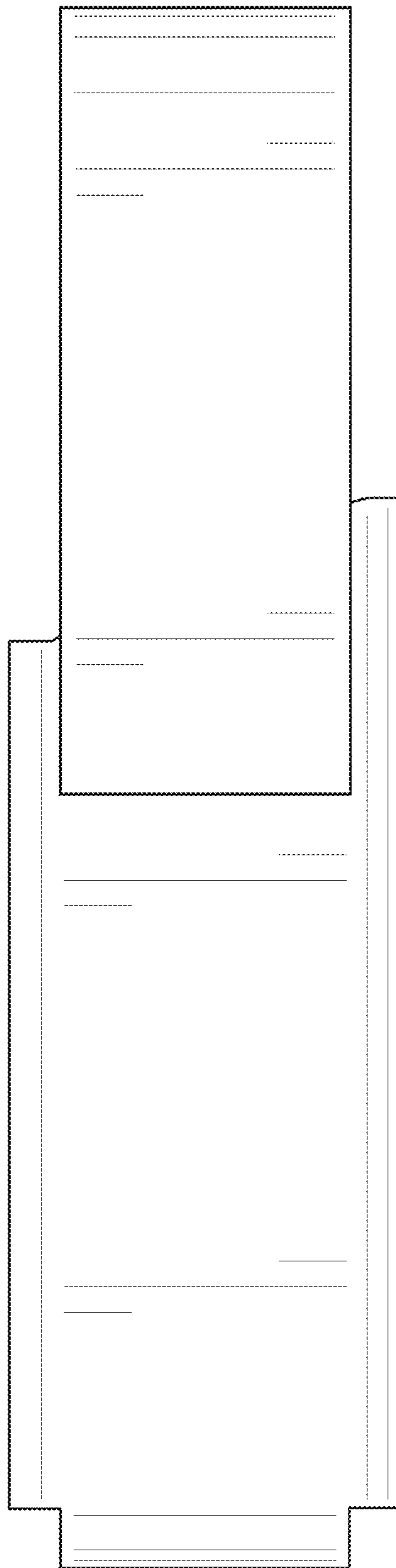


FIG. 2

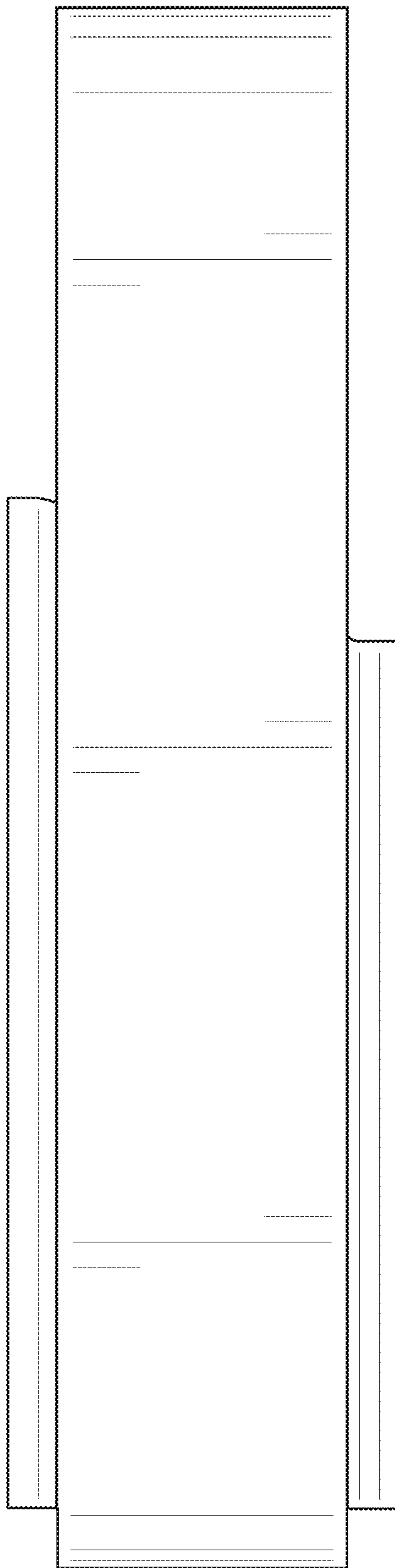


FIG. 3

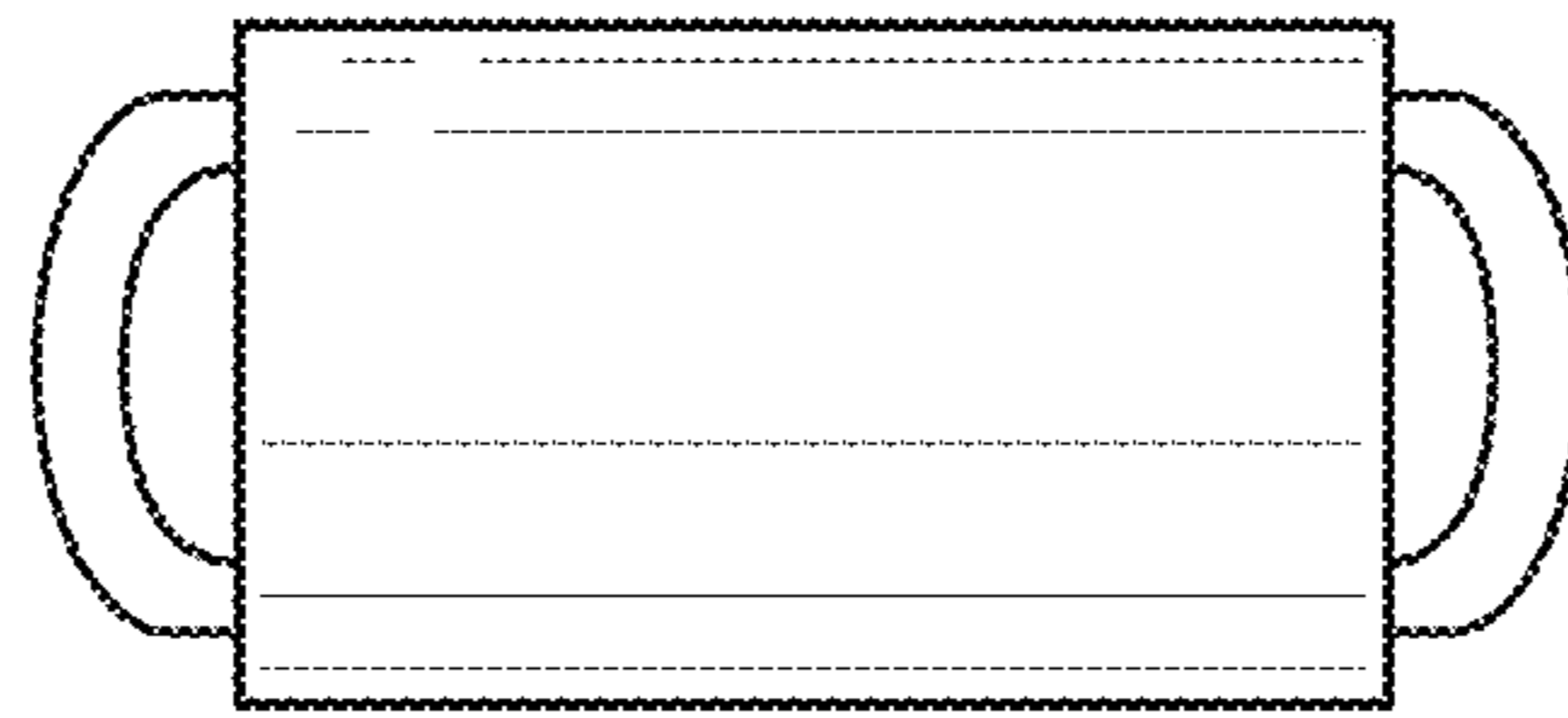


FIG. 4

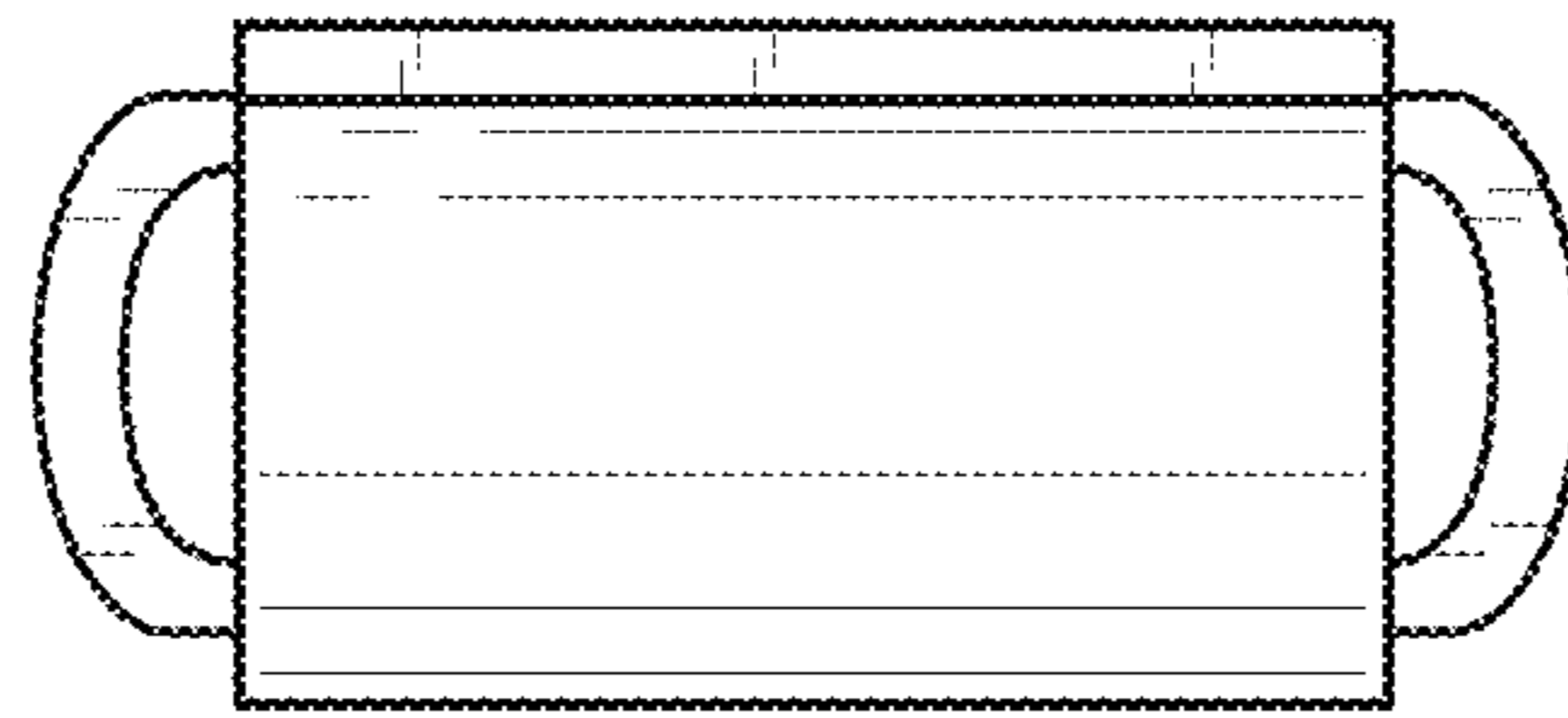


FIG. 5

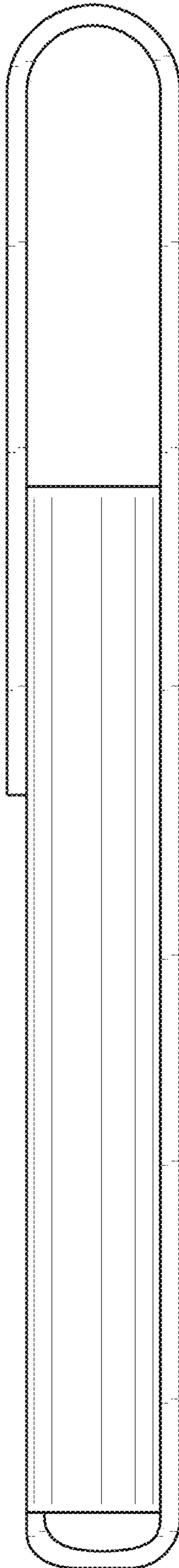


FIG. 6

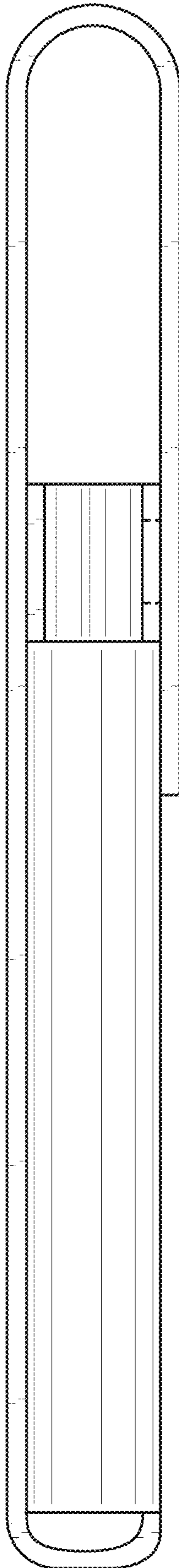


FIG. 7