



US00D903936S

(12) **United States Design Patent** (10) **Patent No.:** **US D903,936 S**
He (45) **Date of Patent:** **** Dec. 1, 2020**

(54) **VAPE**
(71) Applicant: **Jun He**, Urumqi Municipality (CN)
(72) Inventor: **Jun He**, Urumqi Municipality (CN)
(**) Term: **15 Years**
(21) Appl. No.: **29/686,233**
(22) Filed: **Apr. 3, 2019**
(51) **LOC (12) Cl.** **27-02**
(52) **U.S. Cl.**
USPC **D27/162**
(58) **Field of Classification Search**
USPC D27/100, 101, 139, 141, 148, 161–171,
D27/183, 185–194, 142–144, 180;
D24/110, 110.5, 129, 113, 112; D13/108,
D13/144, 103, 119, 146, 168;
D23/364–366, 202, 262, 209, 207;
D19/66, 73, 115, 123, 173, 177, 923,
D19/925–929, 934, 161–166, 194–196;
D14/434, 480.5, 480.1, 480.3, 483, 484.1,
D14/420, 426, 250, 137, 203.1, 203.3,
D14/203.7, 218, 254, 411, 433–435,
D14/435.1; D4/121; D9/500, 503, 504,
D9/516, 517, 522, 523, 530, 531, 560,
D9/444; D11/143, 156, 146, 54, 152,
D11/149, 144; D28/85, 4, 7, 88, 90,
D28/73–76, 77; D3/201, 11, 13, 17, 273,
D3/274, 300
CPC A24F 40/00; A24F 40/40; A24F 40/42;
A24F 40/05; A24F 40/46; A24F 47/002;
A24F 47/008; A24D 1/14; A24D 1/042;
A24D 1/02; G06F 3/03545
See application file for complete search history.

(56) **References Cited**
U.S. PATENT DOCUMENTS
D151,271 S * 10/1948 King et al. D27/144
D279,508 S * 7/1985 Bauer D27/194

D317,407 S * 6/1991 Gray D9/424
D322,687 S * 12/1991 Tschudin D27/189
D374,817 S * 10/1996 Bertolini D9/520
D411,208 S * 6/1999 Richter D14/253
D448,109 S * 9/2001 Ichikawa D27/102
D596,432 S * 7/2009 Sarkar D6/515
D627,663 S * 11/2010 Kruetzkamp D9/687
D646,965 S * 10/2011 Eason D9/421
D677,572 S * 3/2013 Papiernik D9/529
D736,459 S * 8/2015 Liu D27/189
D737,419 S * 8/2015 Emarlou D23/360
D763,502 S * 8/2016 Verleur D27/167
D790,455 S * 6/2017 McGarry D13/107
D846,798 S * 4/2019 Chen D27/163

(Continued)

FOREIGN PATENT DOCUMENTS

CN 304744093 * 7/2010
CN 304994604 * 1/2019

(Continued)

Primary Examiner — Dana K Weiland
Assistant Examiner — Mary Claire Ramirez

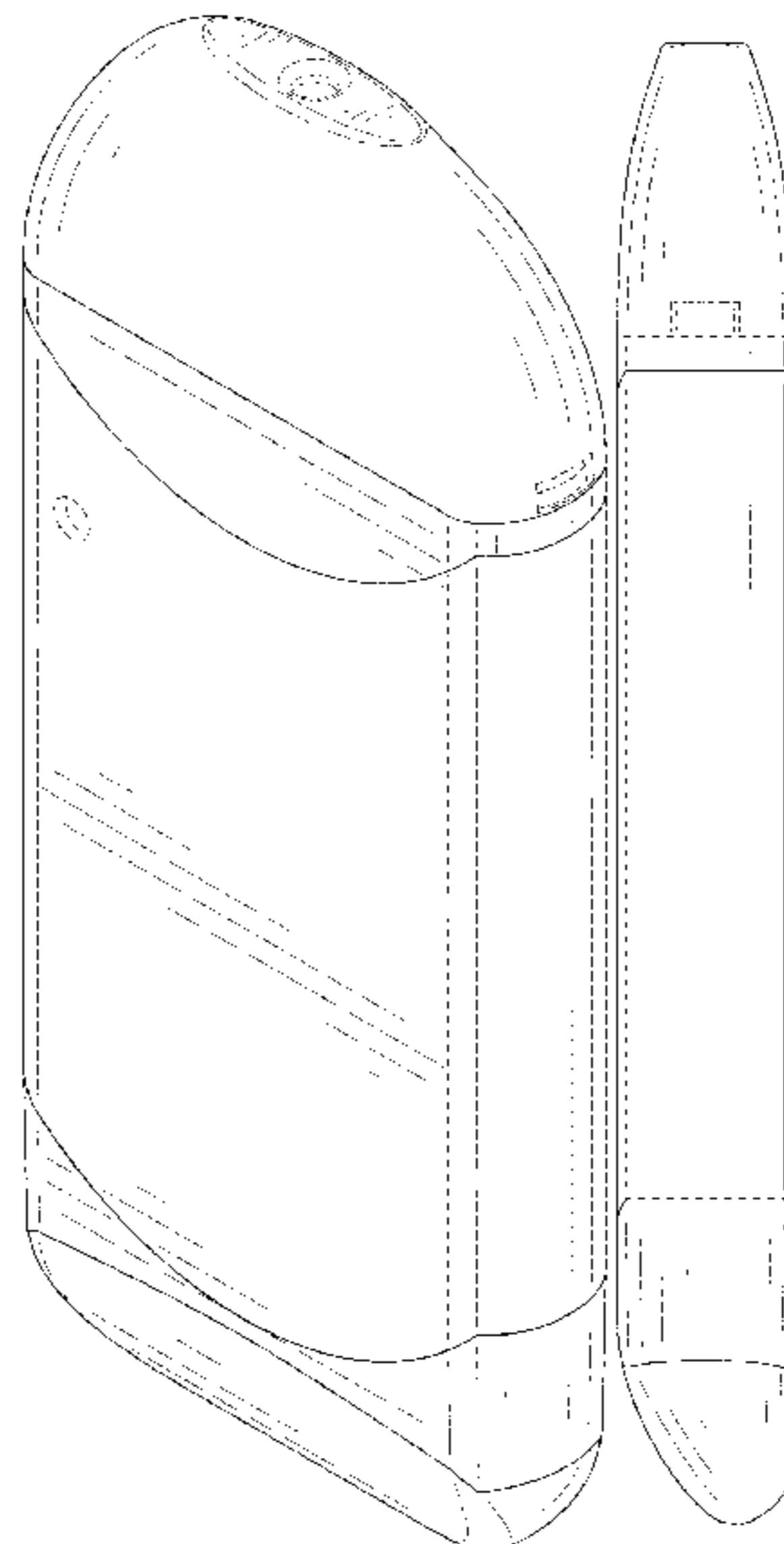
(57) **CLAIM**

The ornamental design for a vape, as shown and described.

DESCRIPTION

FIG. 1 is a perspective view of a vape showing my design;
FIG. 2 is a front view thereof;
FIG. 3 is a back view thereof;
FIG. 4 is a right side view thereof;
FIG. 5 is a left side view thereof;
FIG. 6 is a top view thereof; and,
FIG. 7 is a bottom view thereof.
The broken lines shown in the drawings depict portions of
the vape in which the design is embodied that form no part
of the claimed design.

1 Claim, 7 Drawing Sheets



(56)

References Cited

U.S. PATENT DOCUMENTS

D863,673 S * 10/2019 Lai D27/162
D874,718 S * 2/2020 Qiu D27/162
D882,864 S * 4/2020 Wu D27/162
D887,631 S * 6/2020 Lai D27/162
D888,330 S * 6/2020 Verleur D27/167
2019/0008208 A1* 1/2019 Cirillo A24F 7/04
2019/0053542 A1* 2/2019 Chen A61M 11/042
2019/0099567 A1* 4/2019 Nettenstrom A61M 15/06
2019/0289910 A1* 9/2019 Zeng A24F 47/008
2020/0107583 A1* 4/2020 Wu F16B 1/00
2020/0107584 A1* 4/2020 Li H05B 3/06

FOREIGN PATENT DOCUMENTS

CN 305039214 * 2/2019
EM 006380184-0001 * 4/2010
EM 006407235-0001 * 5/2019

* cited by examiner

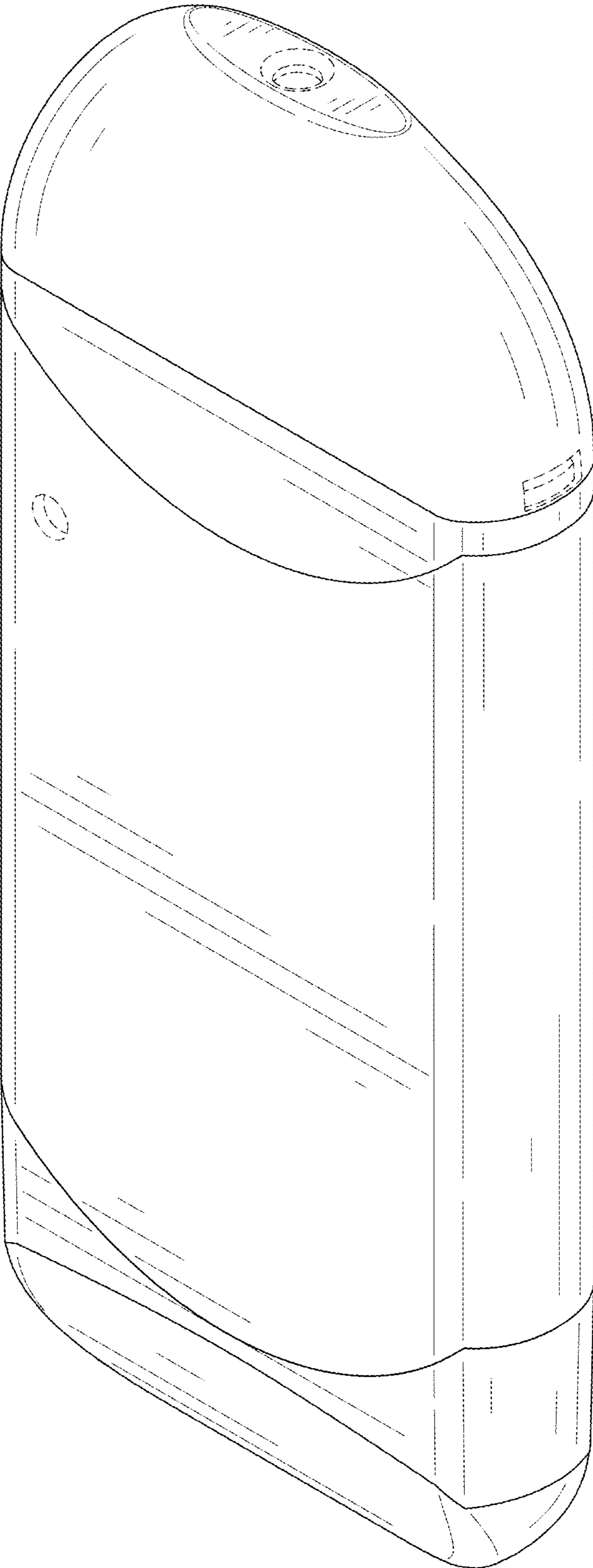


FIG. 1

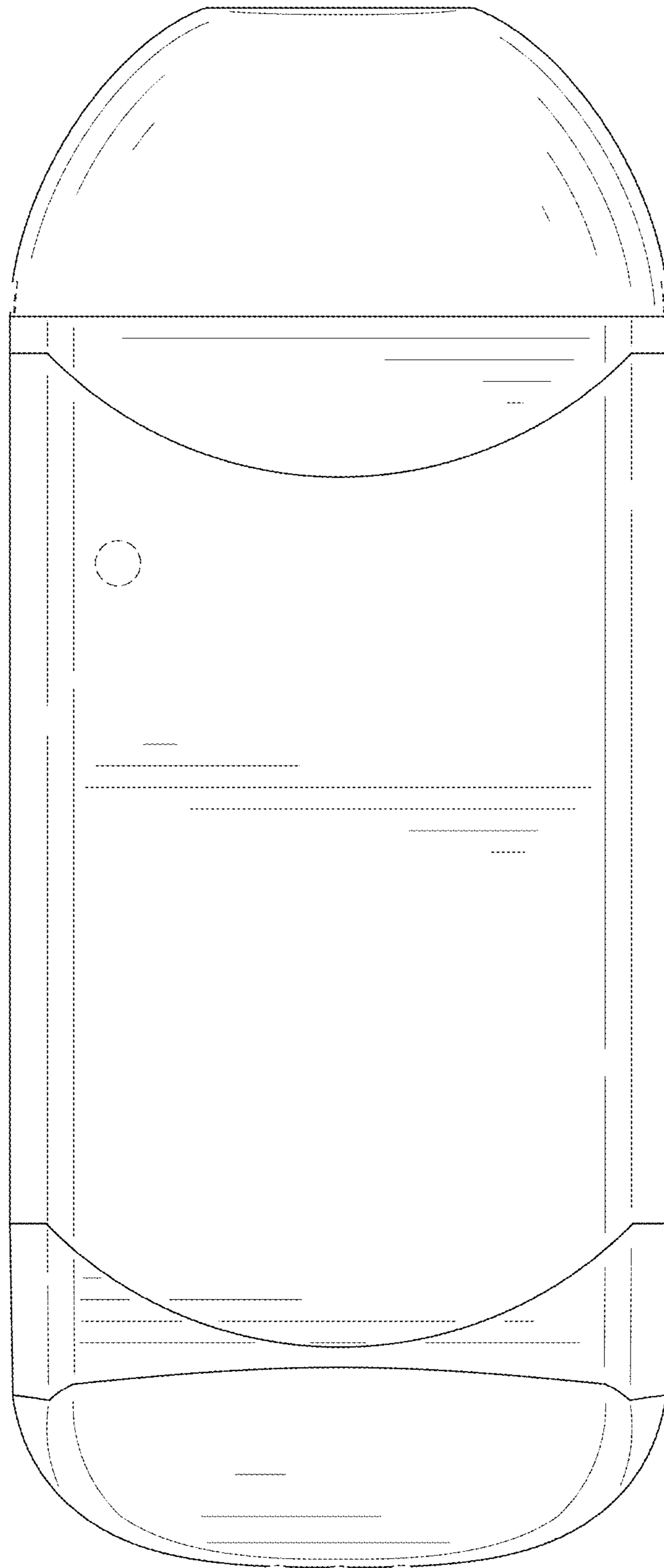


FIG. 2

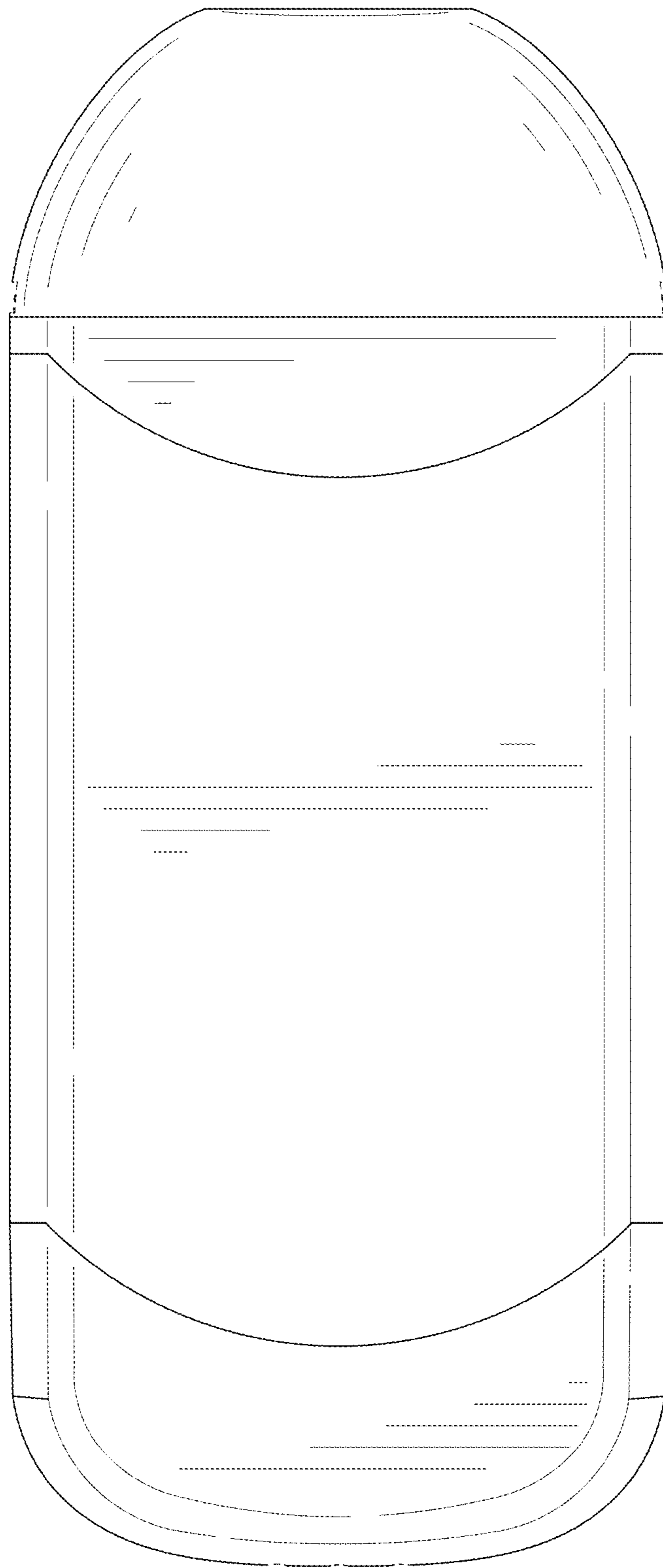


FIG. 3

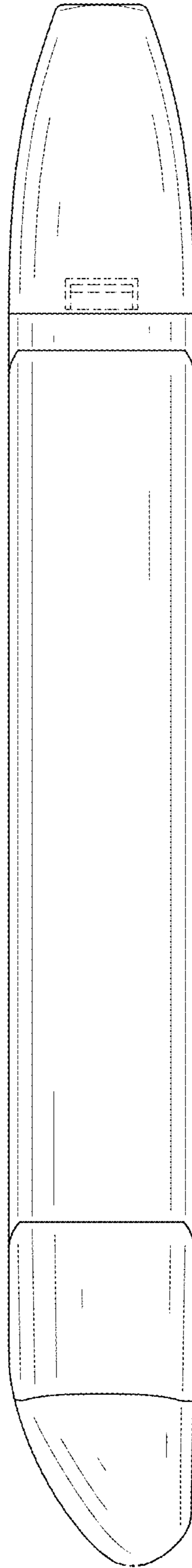


FIG. 4

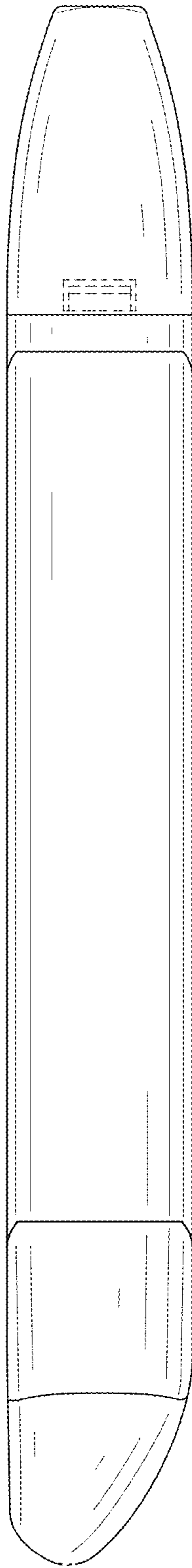


FIG. 5

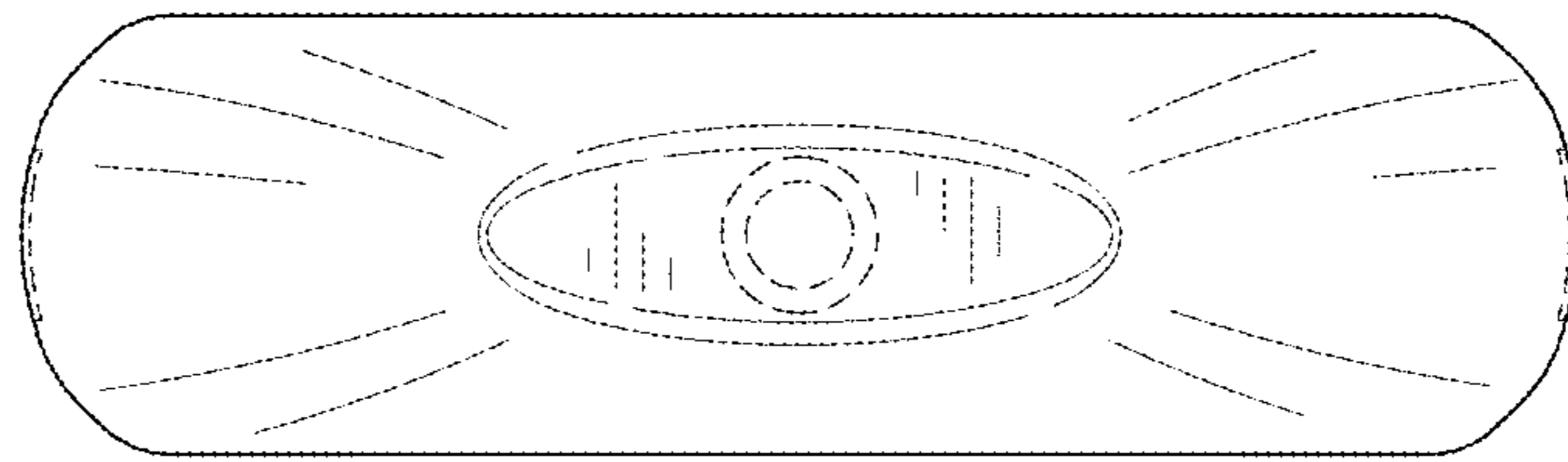


FIG. 6

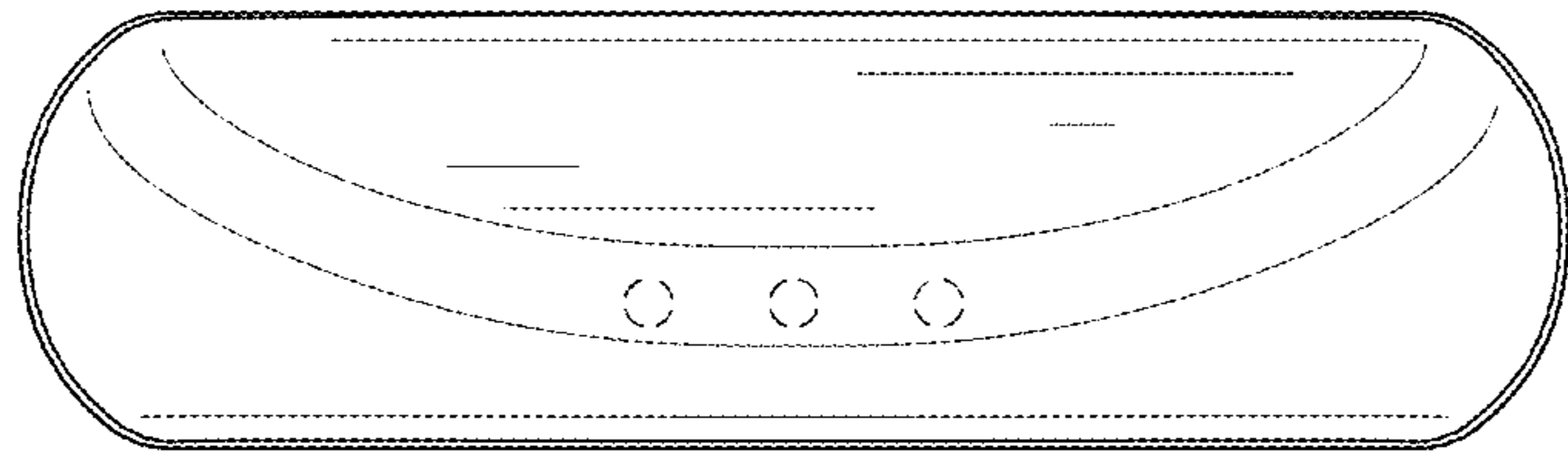


FIG. 7