



US00D903935S

(12) **United States Design Patent** (10) **Patent No.:** **US D903,935 S**
Amato et al. (45) **Date of Patent:** **** Dec. 1, 2020**

(54) **LIGHTING FIXTURE**

- (71) Applicant: **The Urban Electric Company**, North Charleston, SC (US)
- (72) Inventors: **Michael Amato**, London (GB); **David Dawson**, Charleston, SC (US); **Jonathan Charpia**, Summerville, SC (US); **Joeangel Casanova**, Brooklyn, NY (US); **Brianna Magagnoli**, North Charleston, SC (US); **Janis Golubeckis**, Mount Pleasant, SC (US)
- (73) Assignee: **The Urban Electric Company**, North Charleston, SC (US)

(**) Term: **15 Years**

(21) Appl. No.: **29/690,762**

(22) Filed: **May 10, 2019**

(51) **LOC (12) Cl.** **26-99**

(52) **U.S. Cl.**
USPC **D26/142**; D26/89; D26/104

(58) **Field of Classification Search**
USPC D26/80–86, 88, 90, 91, 153, 89, 93, 104, D26/142, 149
CPC F21S 8/04; F21S 8/043; F21S 8/046; F21S 8/06; F21S 8/061; F21S 8/063; F21S 8/065

See application file for complete search history.

(56) **References Cited**

U.S. PATENT DOCUMENTS

D36,327 S *	5/1903	Ullman	D26/84
D38,639 S *	6/1907	Weyer	D26/84
D85,728 S *	12/1931	Allen	D26/149
D158,821 S *	5/1950	Walter	D26/104
D223,505 S *	4/1972	Ott	D26/104

(Continued)

OTHER PUBLICATIONS

Design House 514521 Millbridge Traditional 1 Indoor Ceiling Mount Globe Light, available at amazon.com Mar. 22, 2010. (Year: 2010).*

(Continued)

Primary Examiner — Clare E Heflin
(74) *Attorney, Agent, or Firm* — Haynsworth Sinkler Boyd, P.A.

(57) **CLAIM**

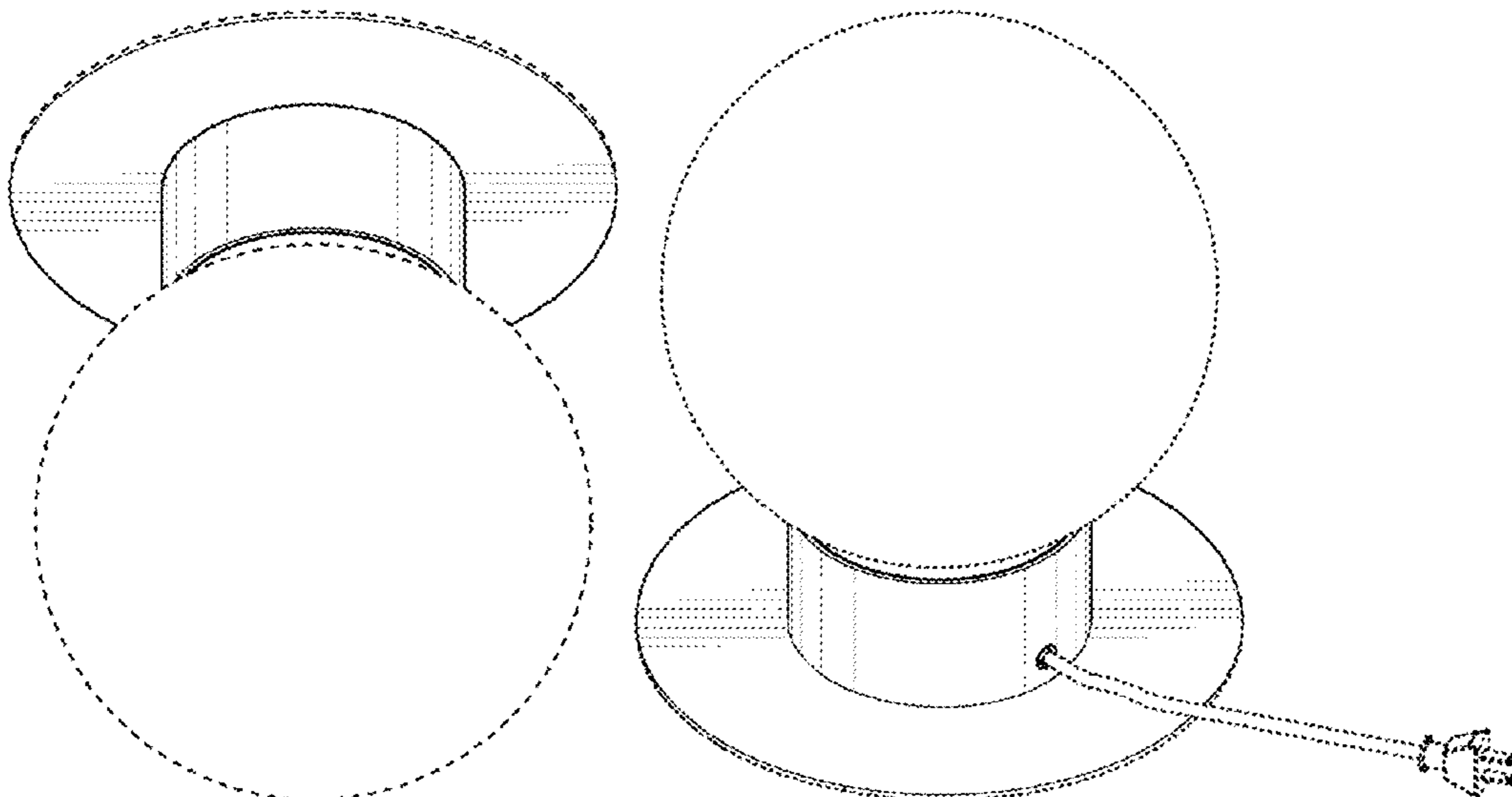
The ornamental design for a lighting fixture, as shown and described.

DESCRIPTION

FIG. 1 is a bottom perspective view of a lighting fixture depicting a new design; FIG. 2 is a top perspective view thereof; FIG. 3 is a front elevational view thereof; FIG. 4 is a back elevational view thereof; FIG. 5 is a right elevational view thereof; FIG. 6 is a left elevational view thereof; FIG. 7 is a top plan view thereof; and FIG. 8 is a bottom plan view thereof; FIG. 9 is a top perspective view of a second lighting fixture depicting a modified form of the new design; FIG. 10 is a second top perspective view thereof; FIG. 11 is a right elevational view thereof; FIG. 12 is a back elevational view thereof; FIG. 13 is a front elevational view thereof; FIG. 14 is a top plan view thereof; FIG. 15 is a bottom plan view thereof; and, FIG. 16 is a left elevational view thereof.

The horizontal broken lines extending from the perimeter of the lighting fixtures in FIGS. 3, 4, 5, 6, 11, 12, 13, and 16 represent environment which forms no part of the claimed design. The remaining broken line disclosures in the views represent portions of the lighting fixtures that form no part of the claimed design.

1 Claim, 16 Drawing Sheets



(56)

References Cited

U.S. PATENT DOCUMENTS

4,032,774 A * 6/1977 Spicer F21S 8/033
 362/382
 D480,497 S * 10/2003 Lau Ting Yup D26/104
 D496,126 S * 9/2004 Huang D26/104
 D581,087 S * 11/2008 Sabernig D26/88
 D583,495 S * 12/2008 Khubani D26/72
 D599,947 S * 9/2009 Sabernig D26/88
 D604,896 S * 11/2009 Chen D26/142
 D664,281 S * 7/2012 Ayliffe D26/88
 D775,756 S * 1/2017 Amato D26/72
 D788,346 S * 5/2017 Hendifar D26/84
 D806,309 S * 12/2017 Amato D26/142
 D825,092 S * 8/2018 Amato D26/88
 D837,440 S * 1/2019 Amato D26/88
 D841,867 S * 2/2019 Lee D26/88
 D846,789 S * 4/2019 Barber D26/88
 D849,309 S * 5/2019 Hendifar D26/88
 D857,279 S * 8/2019 Grcic D26/88
 D857,970 S * 8/2019 Yang D26/89
 D887,069 S * 6/2020 Dou D26/104
 2017/0153017 A1 * 6/2017 Benner F21V 33/006

OTHER PUBLICATIONS

1-Light Brushed Aluminum on Cast Exterior Wall Lantern Sconce with White Threaded Glass Globe by Westinghouse available at homedepot.com as early as Jul. 30, 2015. (Year: 2015).*

Timeless Home Grant 8 in. W x 10.25 in. H 1-Light Flat Black and White Glass Flush Mount from homedepot.com visited Sep. 2, 2020. (Year: 2020).*

* cited by examiner

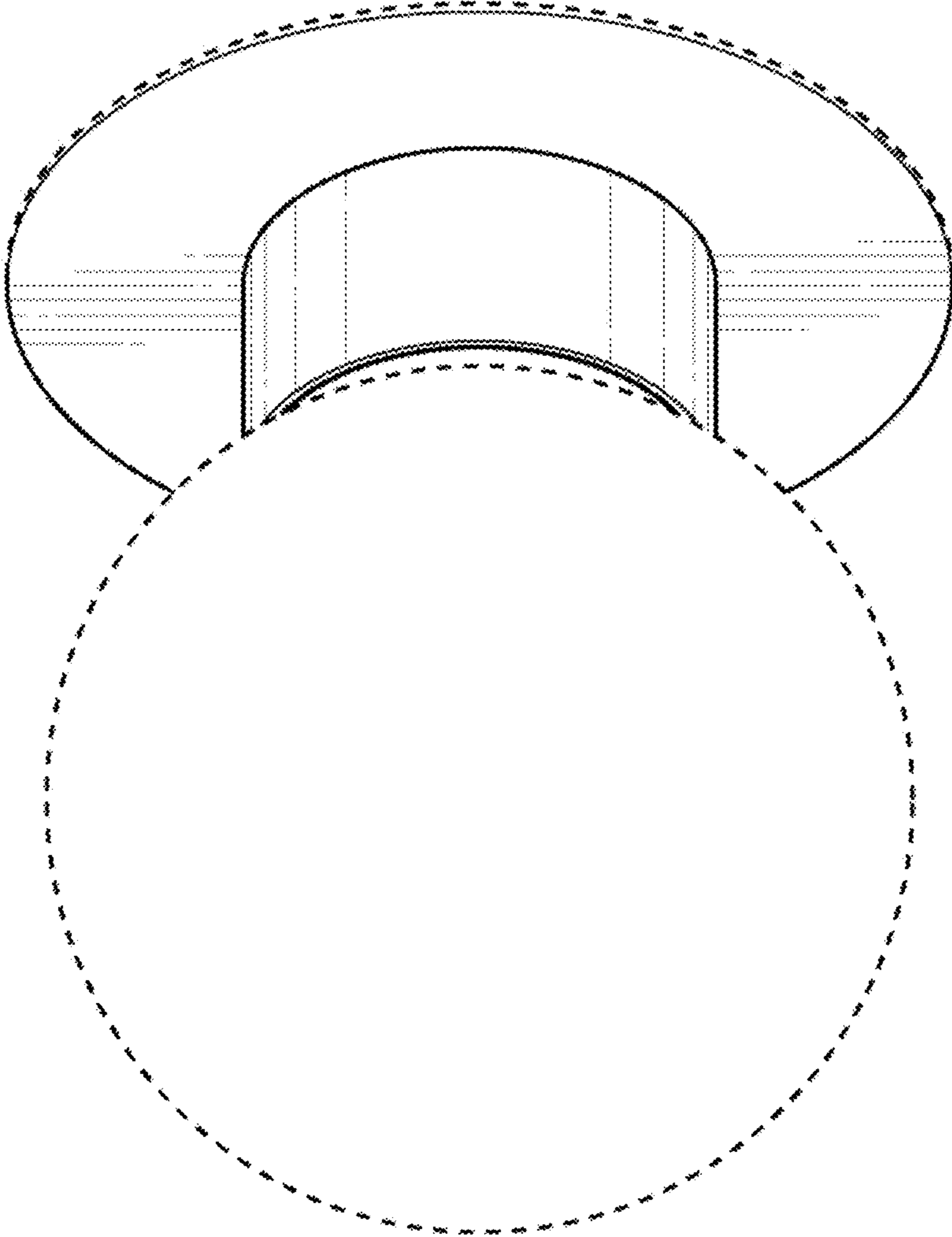


FIG. 1

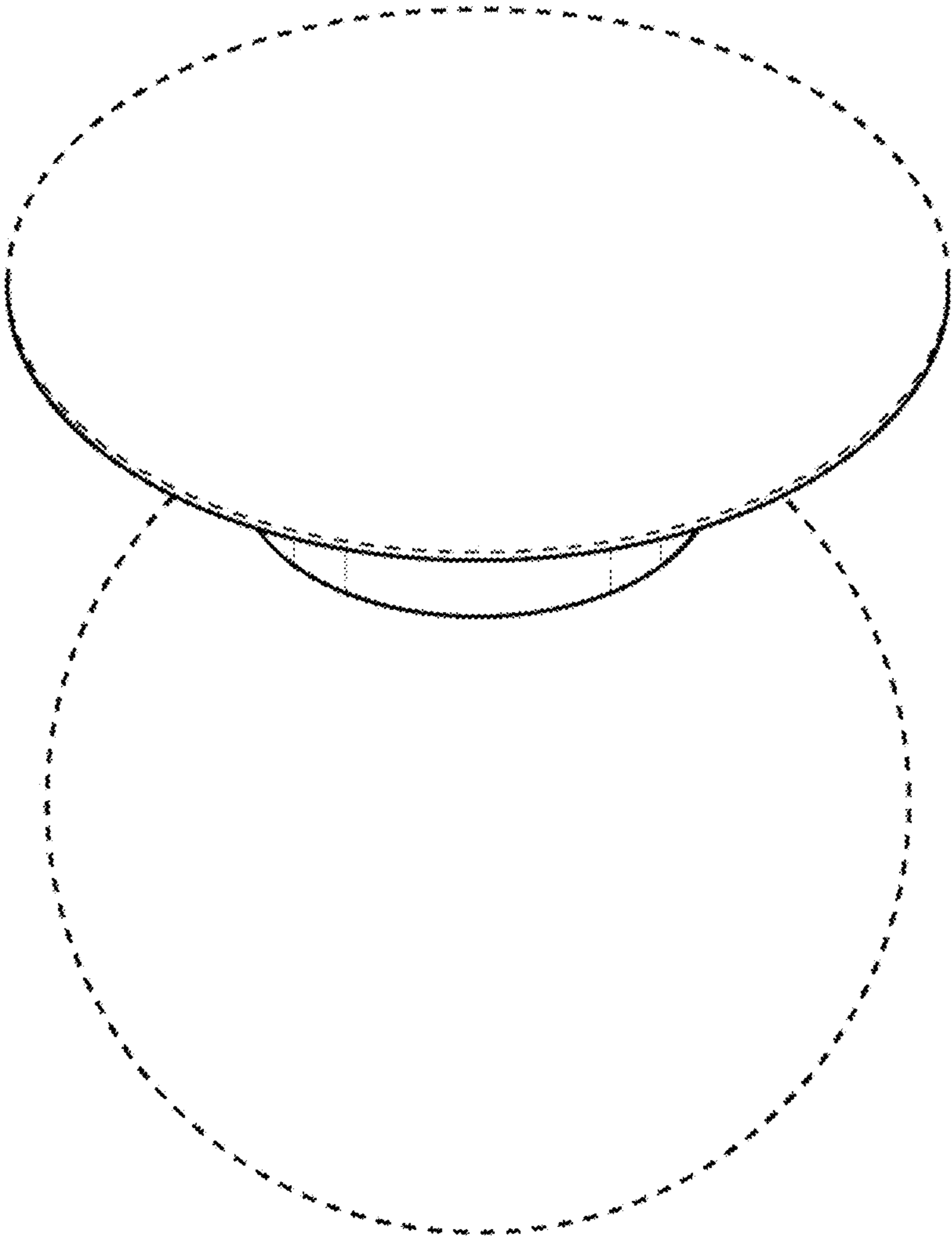


FIG. 2

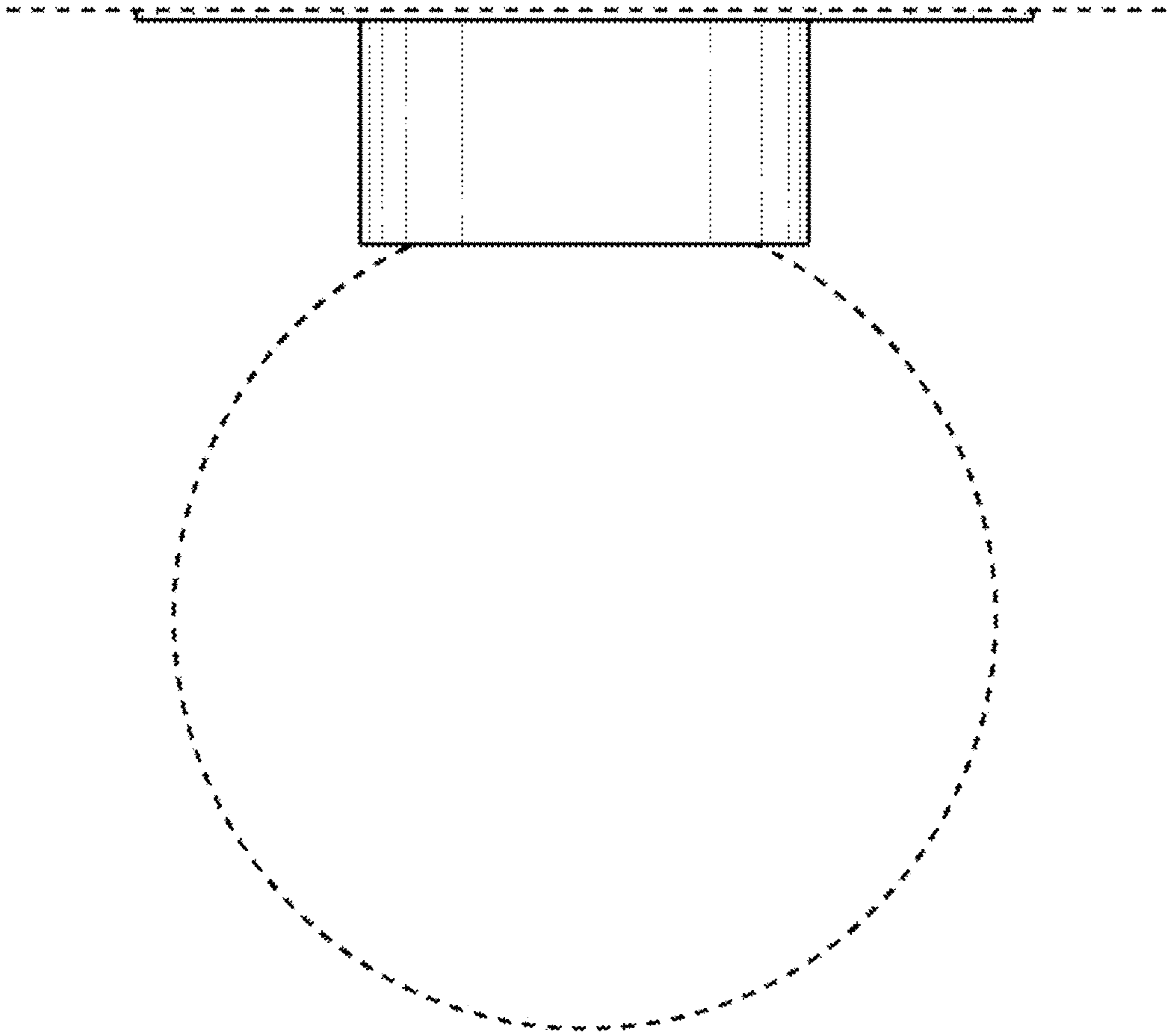


FIG. 3

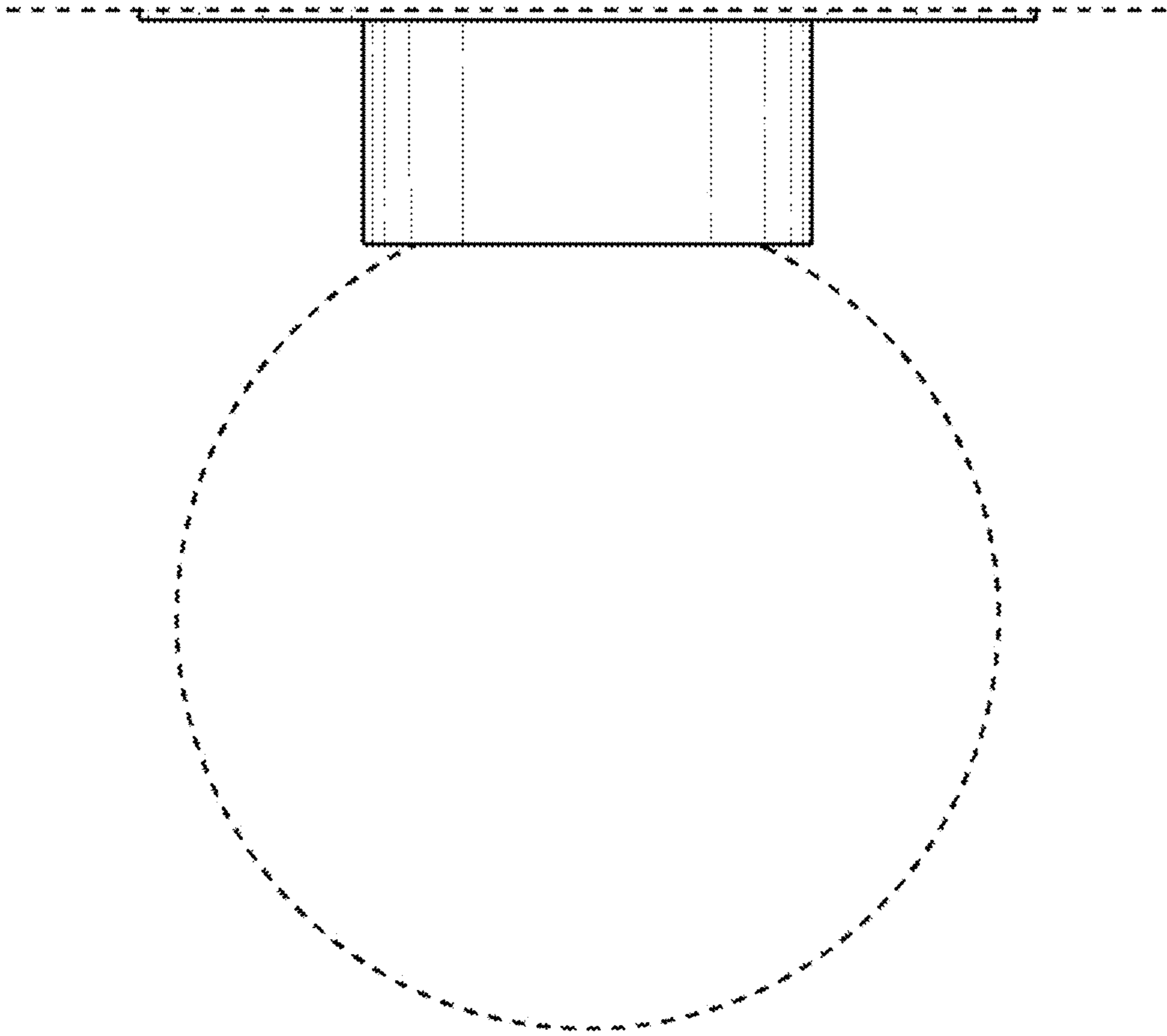


FIG. 4

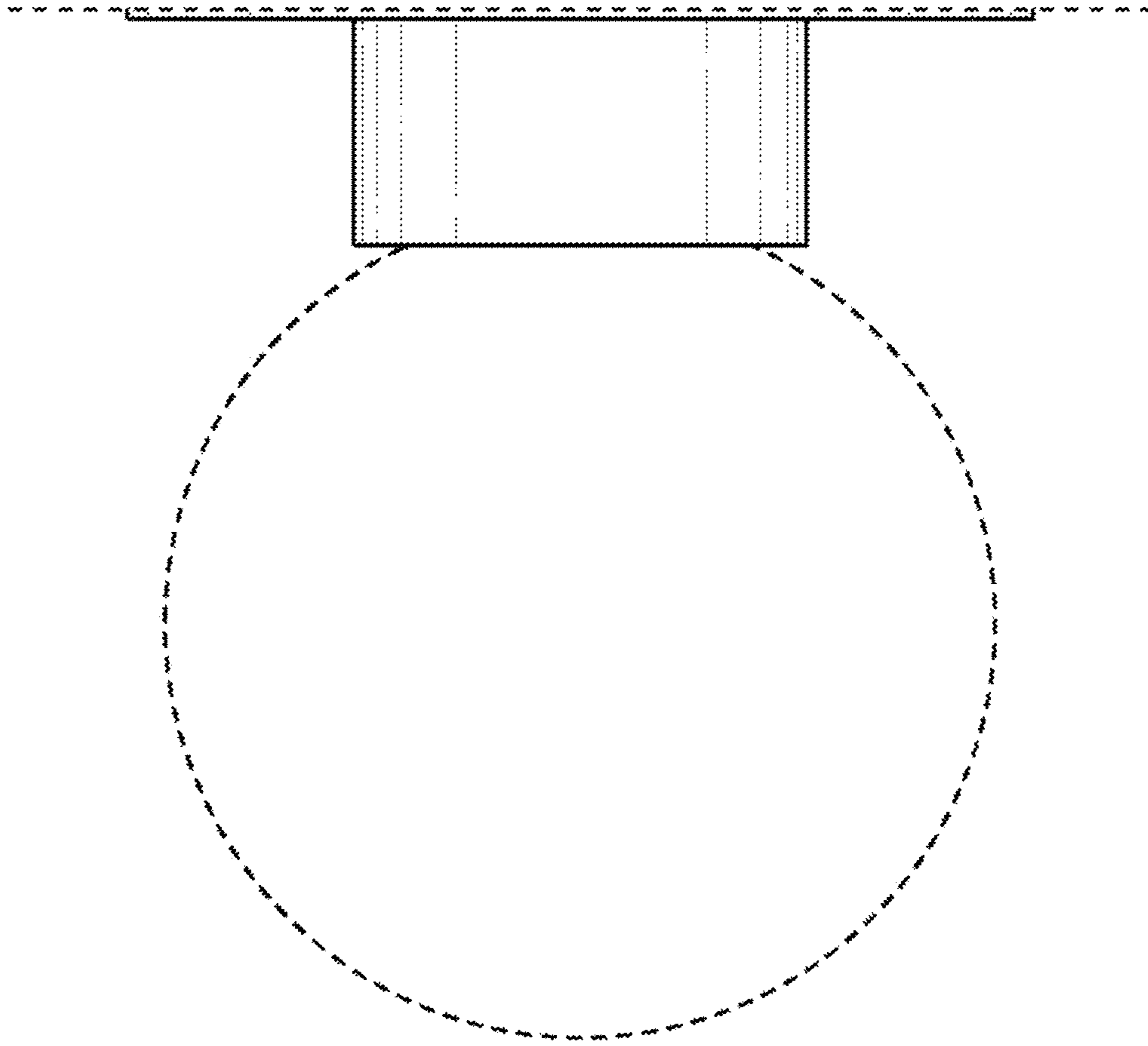


FIG. 5

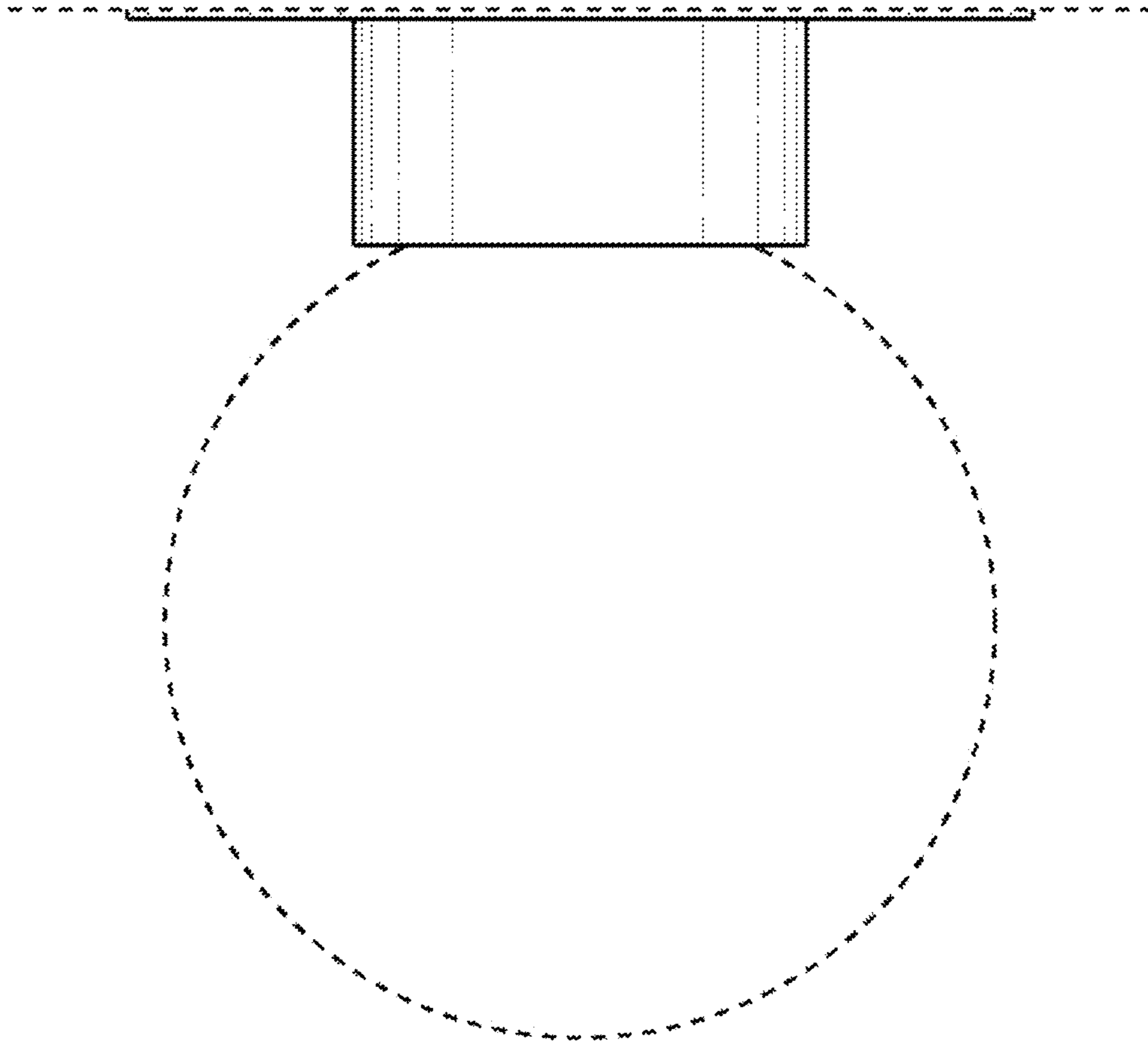


FIG. 6

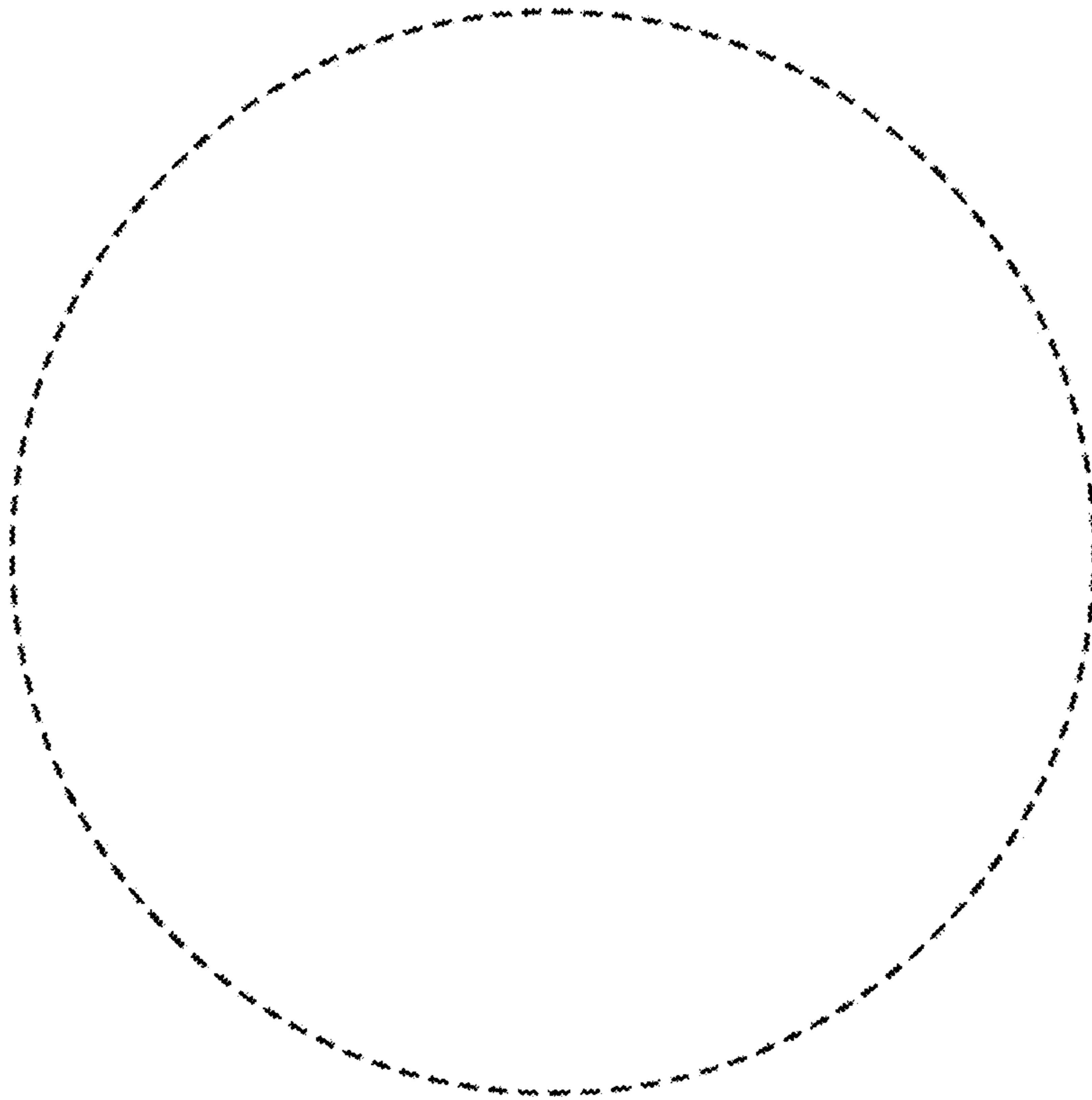


FIG. 7

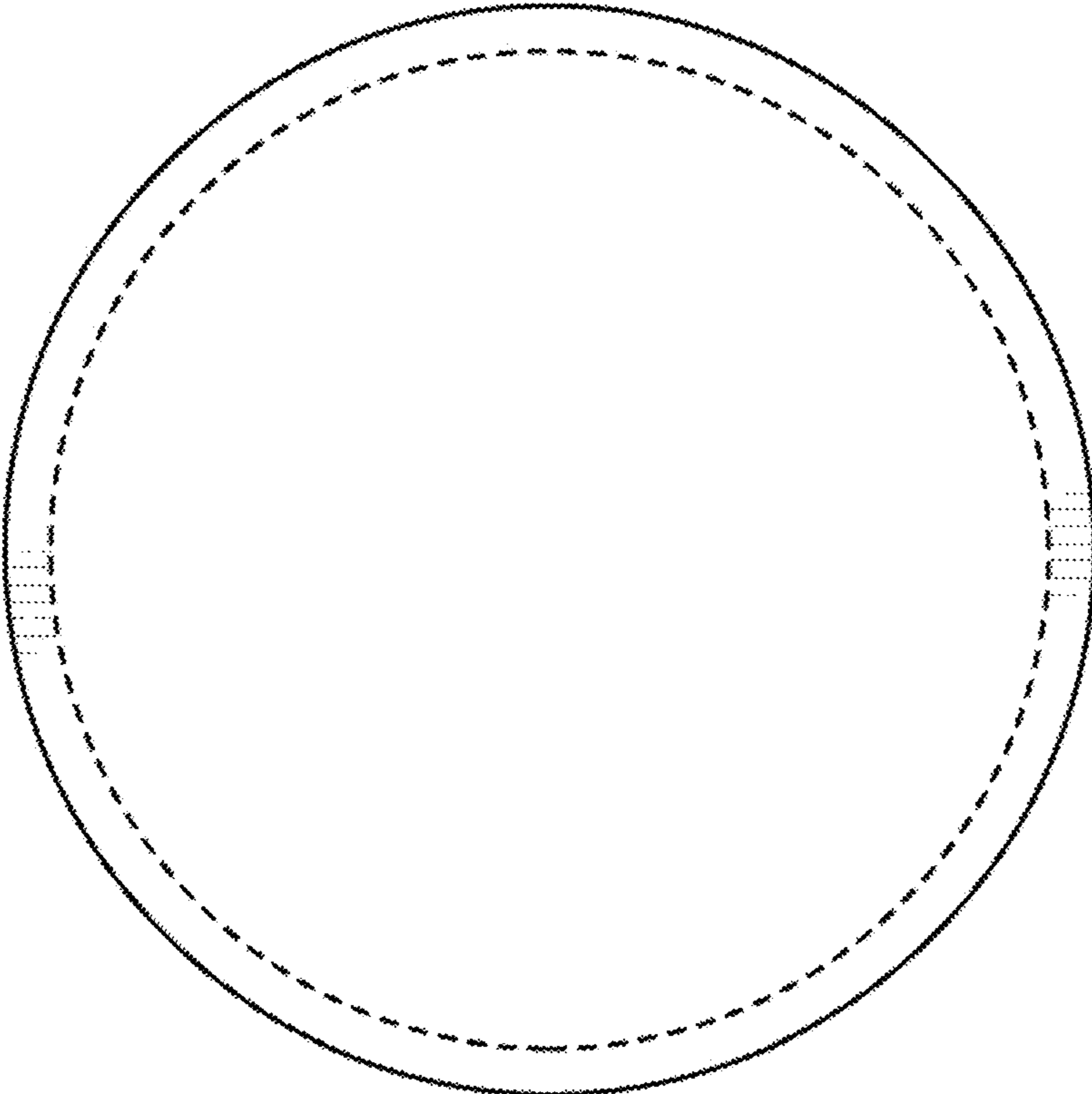


FIG. 8

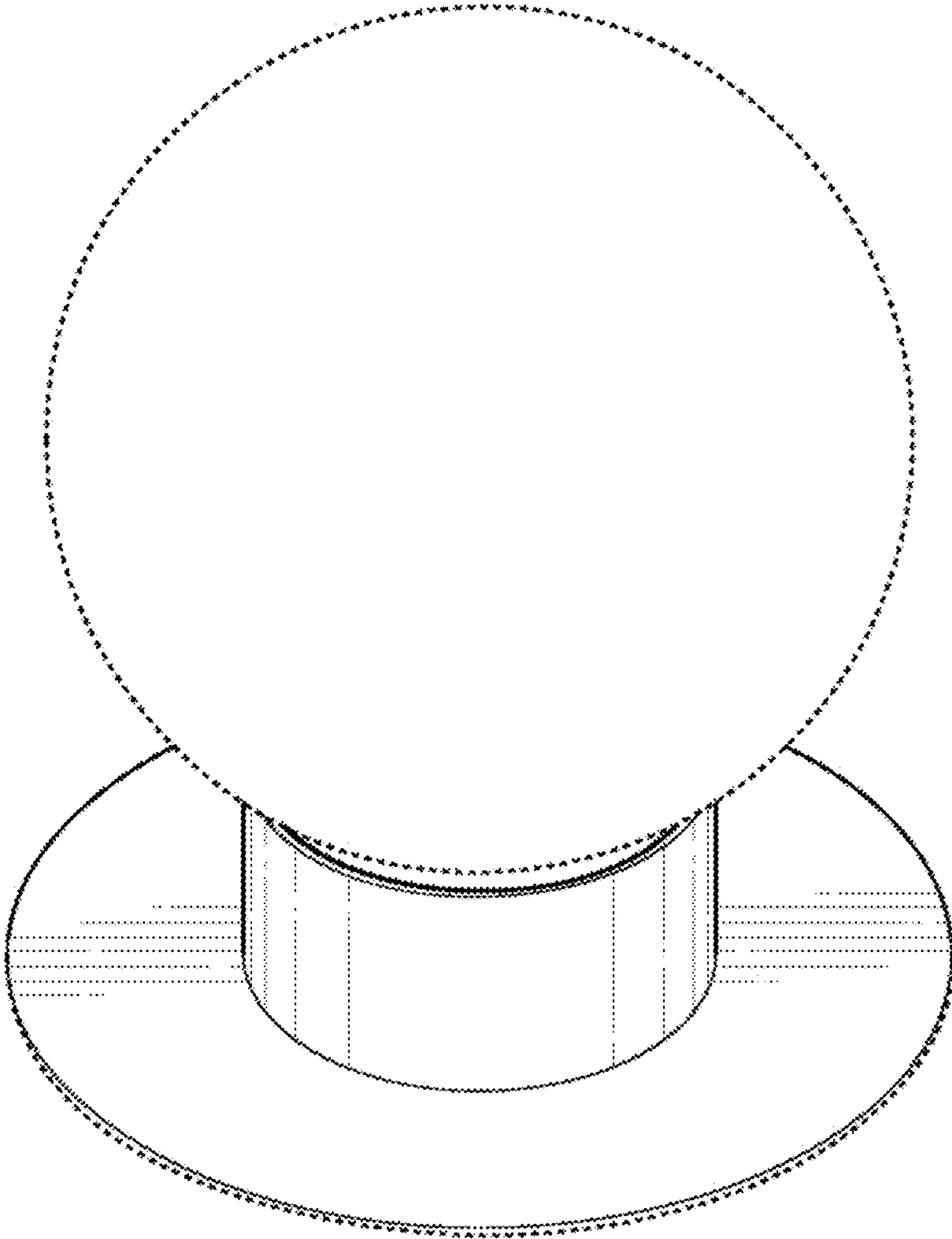


FIG. 9

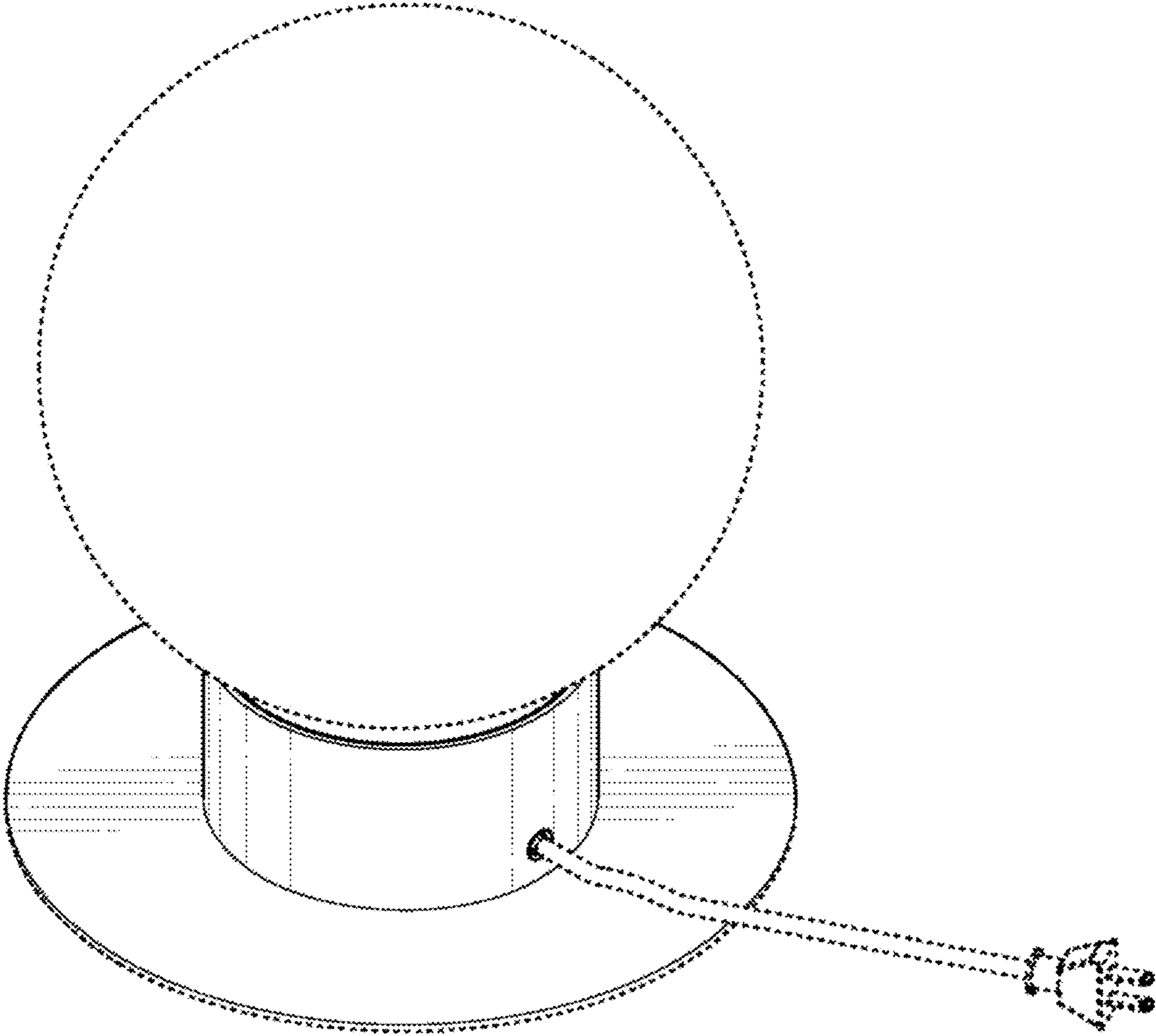


FIG. 10

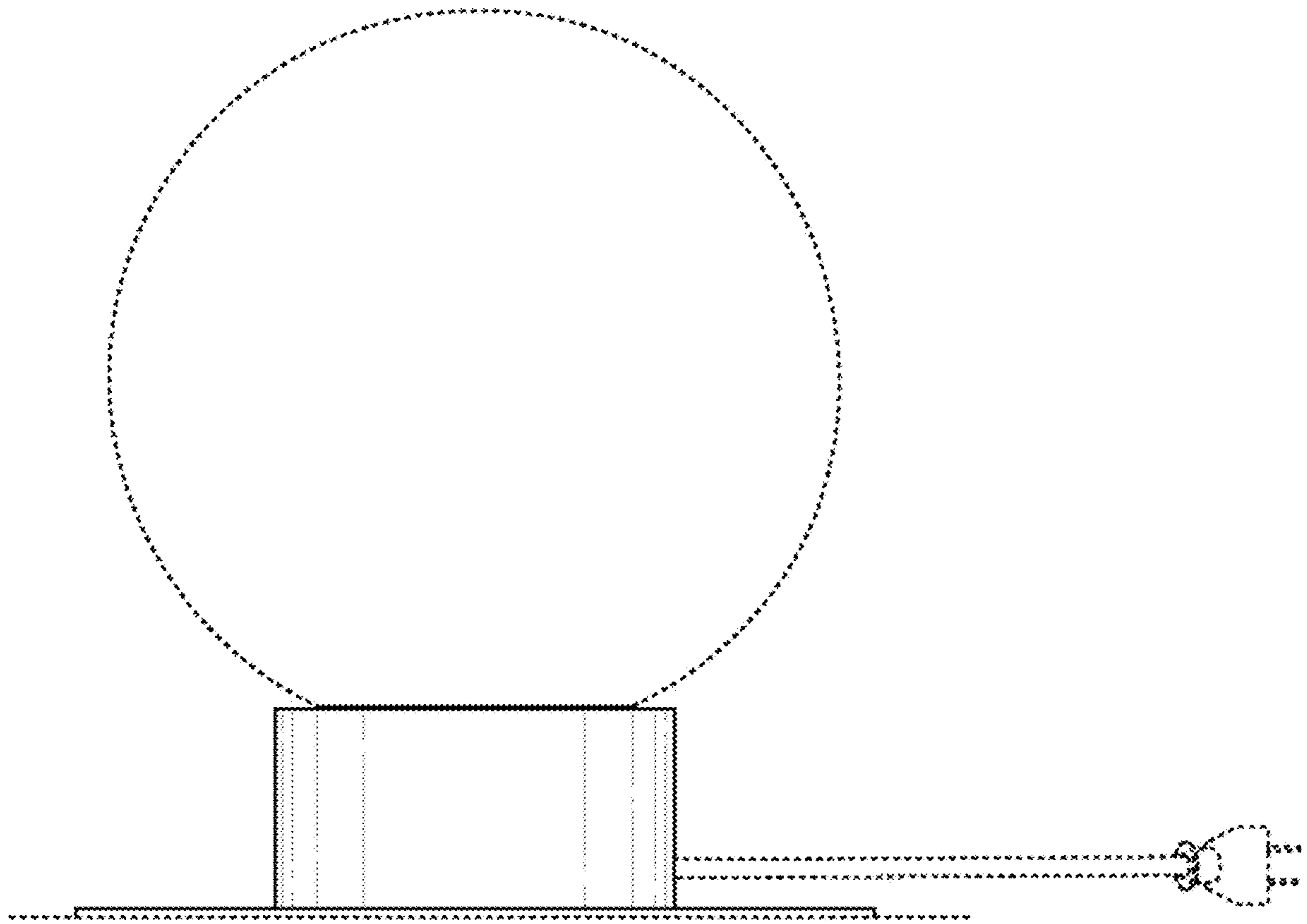


FIG. 11

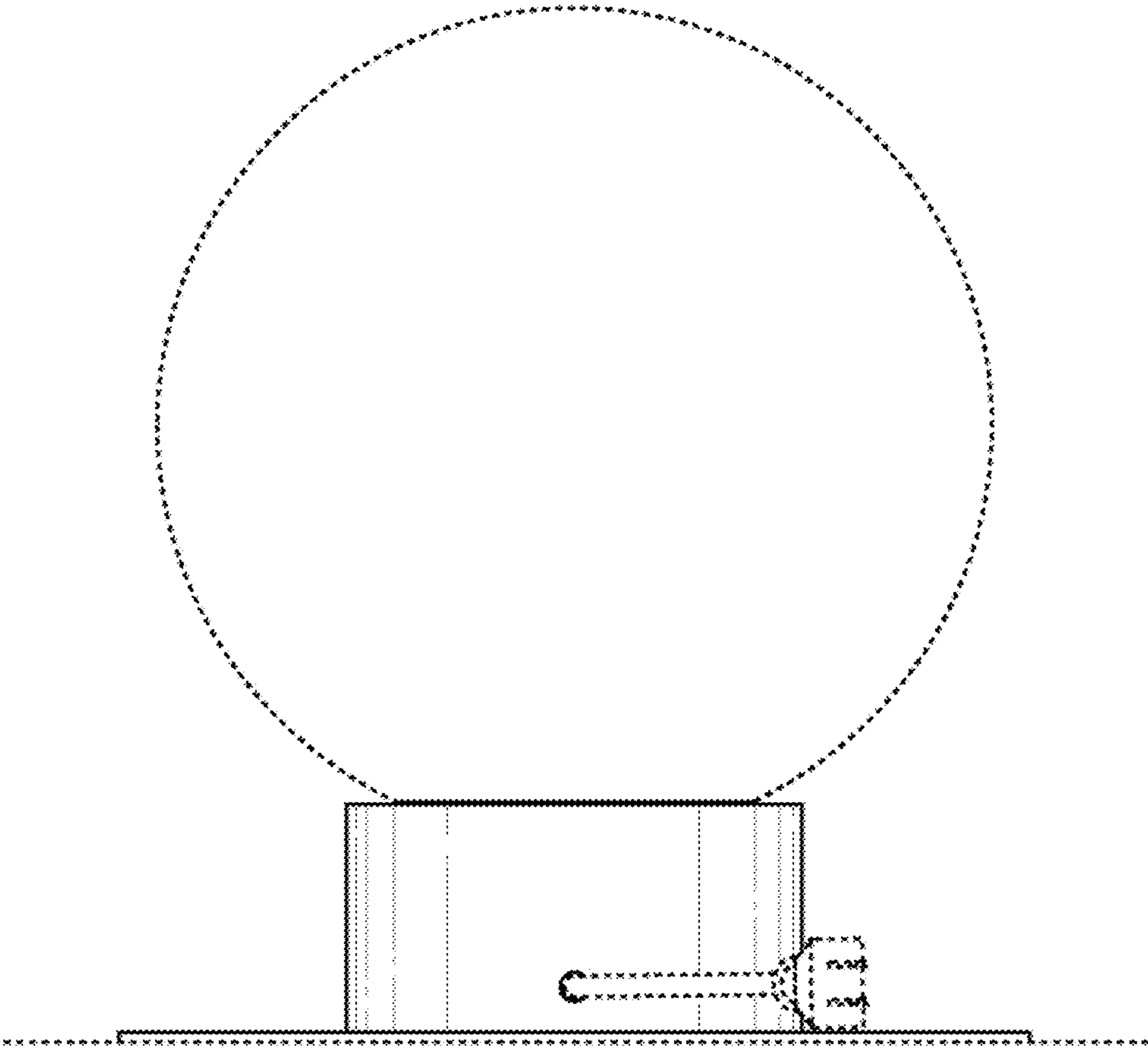


FIG. 12

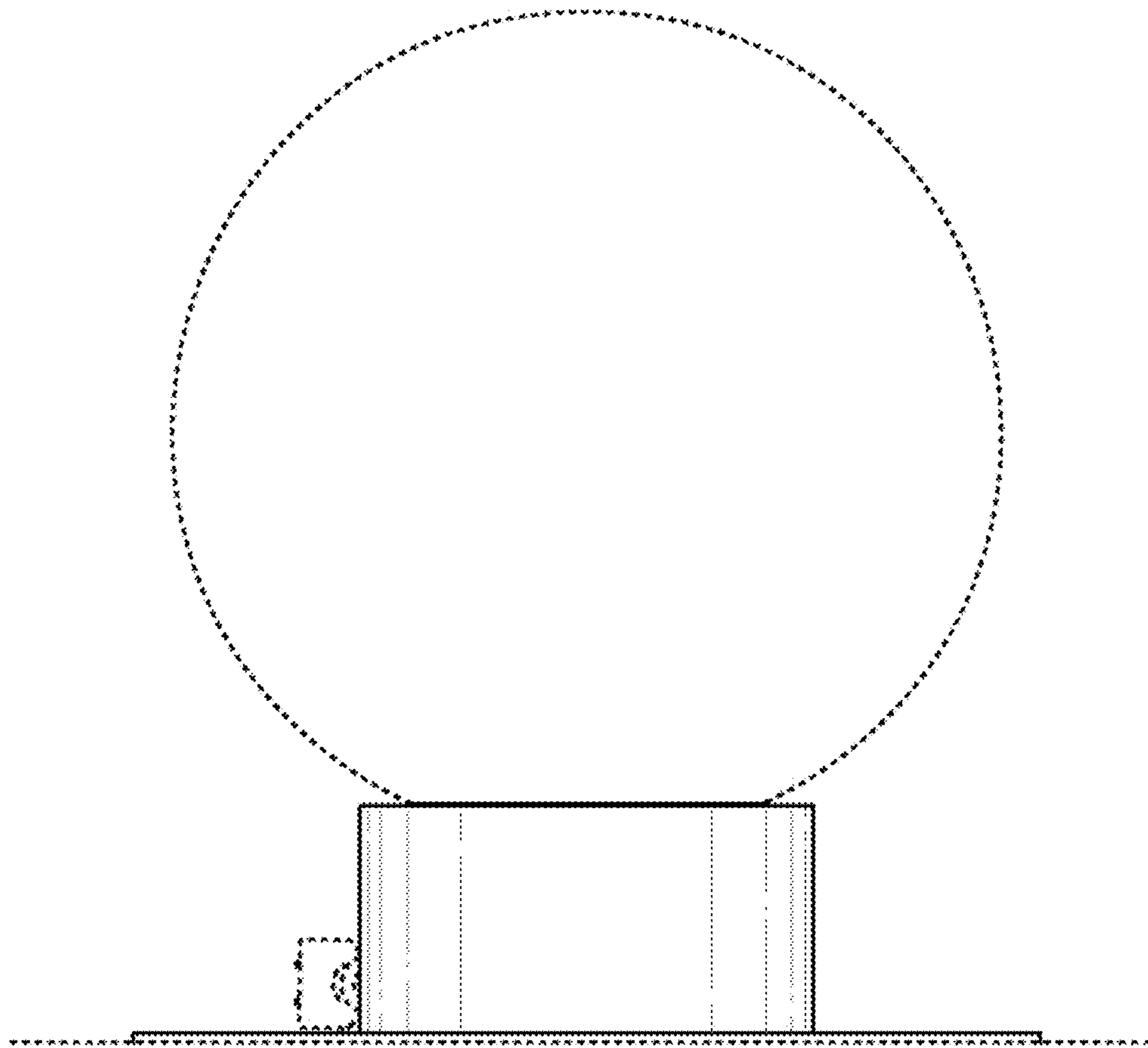


FIG. 13

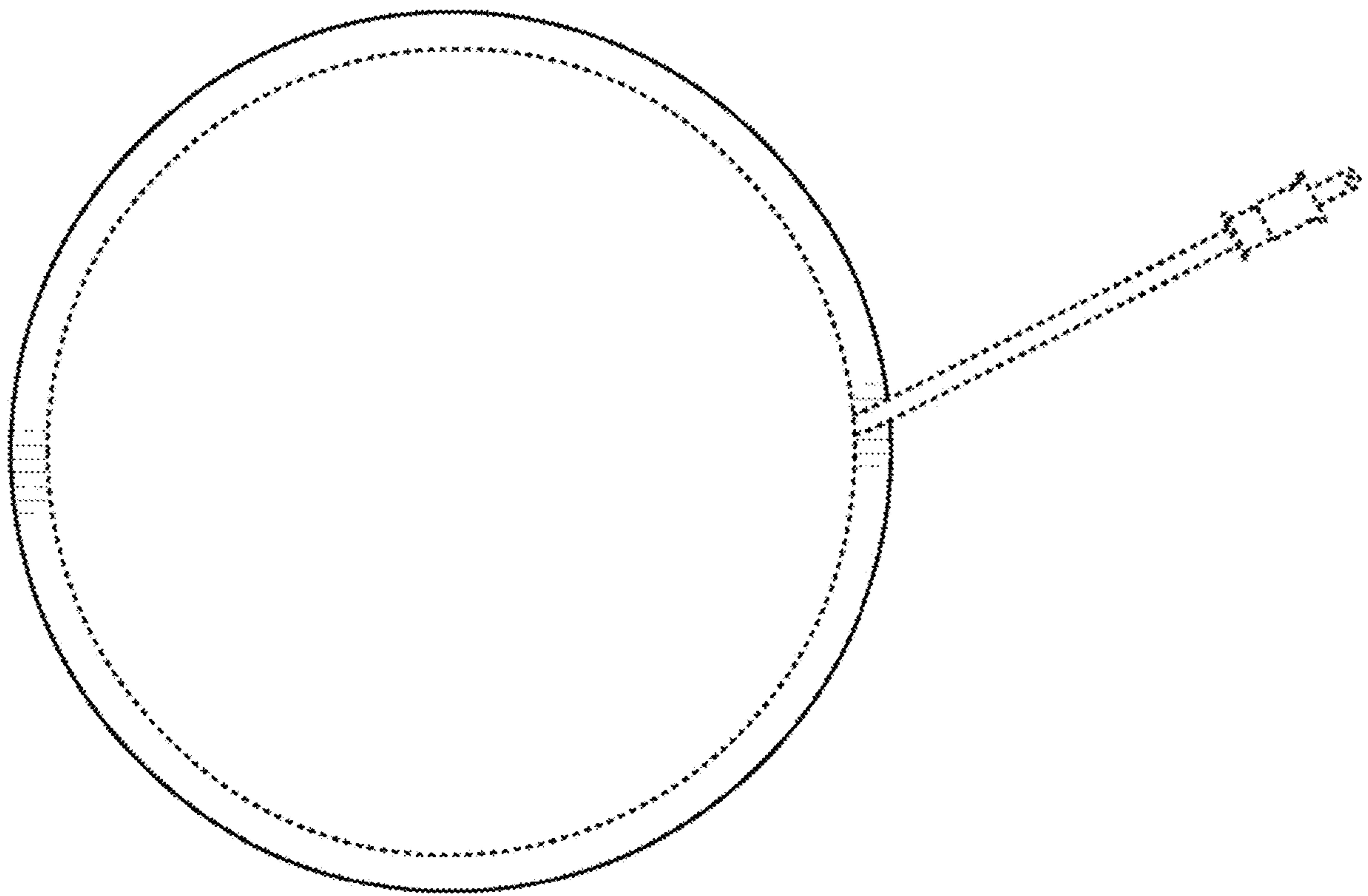


FIG. 14

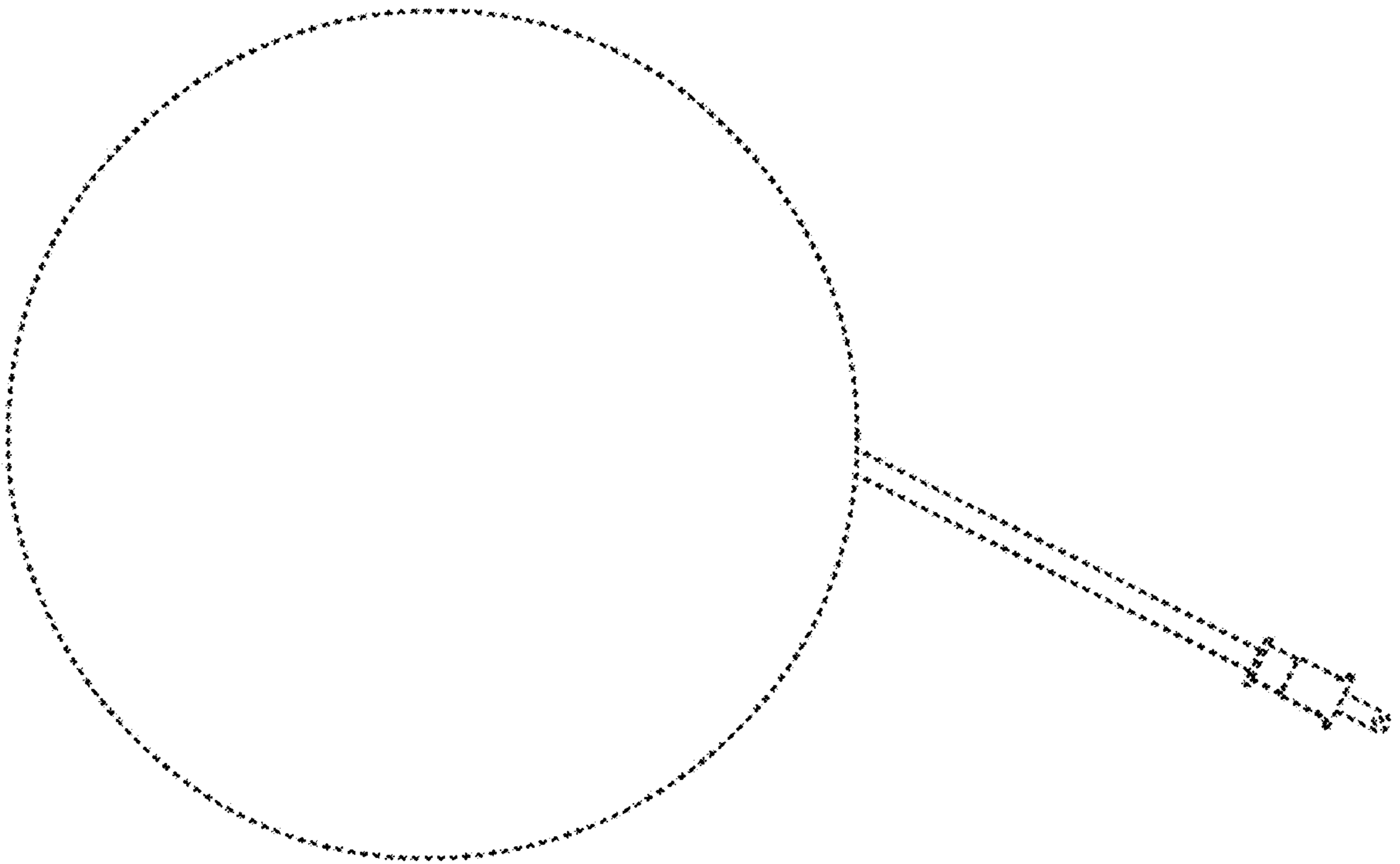


FIG. 15

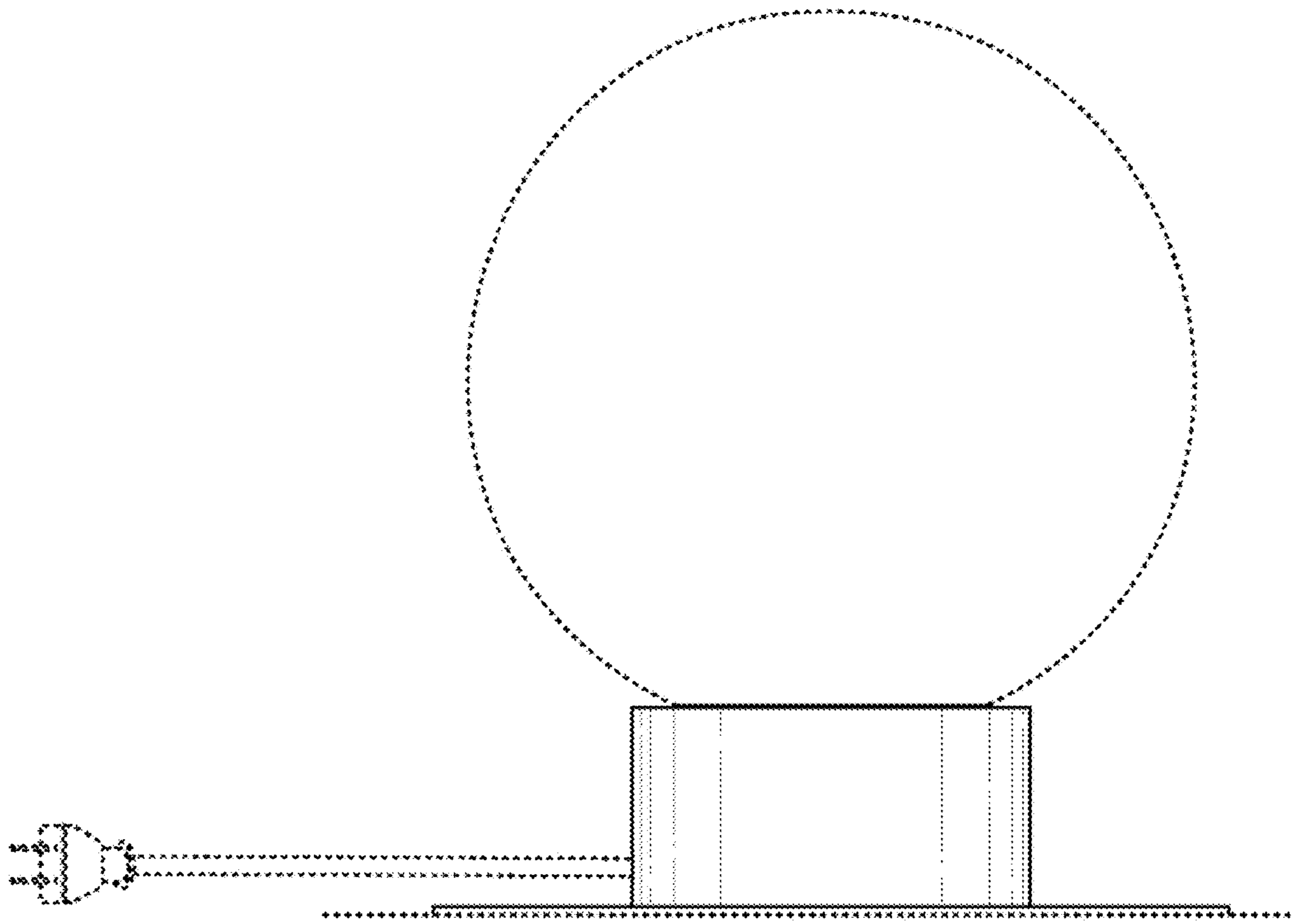


FIG. 16