



US00D903933S

(12) **United States Design Patent** (10) **Patent No.:** **US D903,933 S**  
**Sorensen** (45) **Date of Patent:** **\*\* Dec. 1, 2020**

(54) **LIGHT FIXTURE CONNECTOR WITH BANKED TURN**

(71) Applicant: **ABL IP Holding LLC**, Atlanta, GA (US)

(72) Inventor: **Christopher J. Sorensen**, Denver, CO (US)

(73) Assignee: **ABL IP Holding LLC**, Atlanta, GA (US)

(\*\*) Term: **15 Years**

(21) Appl. No.: **29/671,052**

(22) Filed: **Nov. 21, 2018**

(51) **LOC (12) Cl.** ..... **26-05**

(52) **U.S. Cl.**  
USPC ..... **D26/138; D26/155**

(58) **Field of Classification Search**  
USPC ..... D26/63, 72, 74, 76, 78-83, 85, 86, 88, D26/90, 93, 111, 113, 118, 119, 120, 121, D26/122, 138, 139, 140, 141, 142, 152  
(Continued)

(56) **References Cited**

U.S. PATENT DOCUMENTS

D489,475 S \* 5/2004 Bender ..... D26/120  
D490,559 S \* 5/2004 Small ..... D26/138  
(Continued)

*Primary Examiner* — **Natasha Vujcic**

(74) *Attorney, Agent, or Firm* — **Kilpatrick Townsend & Stockton LLP**

(57) **CLAIM**

The ornamental design for a light fixture connector with banked turn, as shown and described.

**DESCRIPTION**

FIG. 1 is a top plan view of the light fixture connector with banked turn;

FIG. 2 is a bottom plan view of the light fixture connector with banked turn;

FIG. 3 is a left side elevation of the light fixture connector with banked turn;

FIG. 4 is a right side elevation of the light fixture connector with banked turn;

FIG. 5 is a front elevation of the light fixture connector with banked turn;

FIG. 6 is a front isometric view of the light fixture connector with banked turn, as seen from above and looking downward at a slight angle;

FIG. 7 is a rear elevation of the light fixture connector with banked turn;

FIG. 8 is a rear isometric view of the light fixture connector with banked turn, as seen from below and looking upward at a slight angle;

FIG. 9 is an isometric view, as seen from the left hand side, of the light fixture connector with banked turn, rotated by 45 degrees clockwise relative to the orientation shown in FIG. 1;

FIG. 10 is an isometric view, as seen from the left hand side, of the light fixture connector with banked turn, rotated by 45 degrees counterclockwise relative to the orientation shown in FIG. 1;

FIG. 11 is a top plan view of the light fixture connector with banked turn;

FIG. 12 is a bottom plan view of the light fixture connector with banked turn;

FIG. 13 is a front elevation of the light fixture connector with banked turn;

FIG. 14 is a front isometric view of the light fixture connector with banked turn, as seen from above and looking downward at a slight angle;

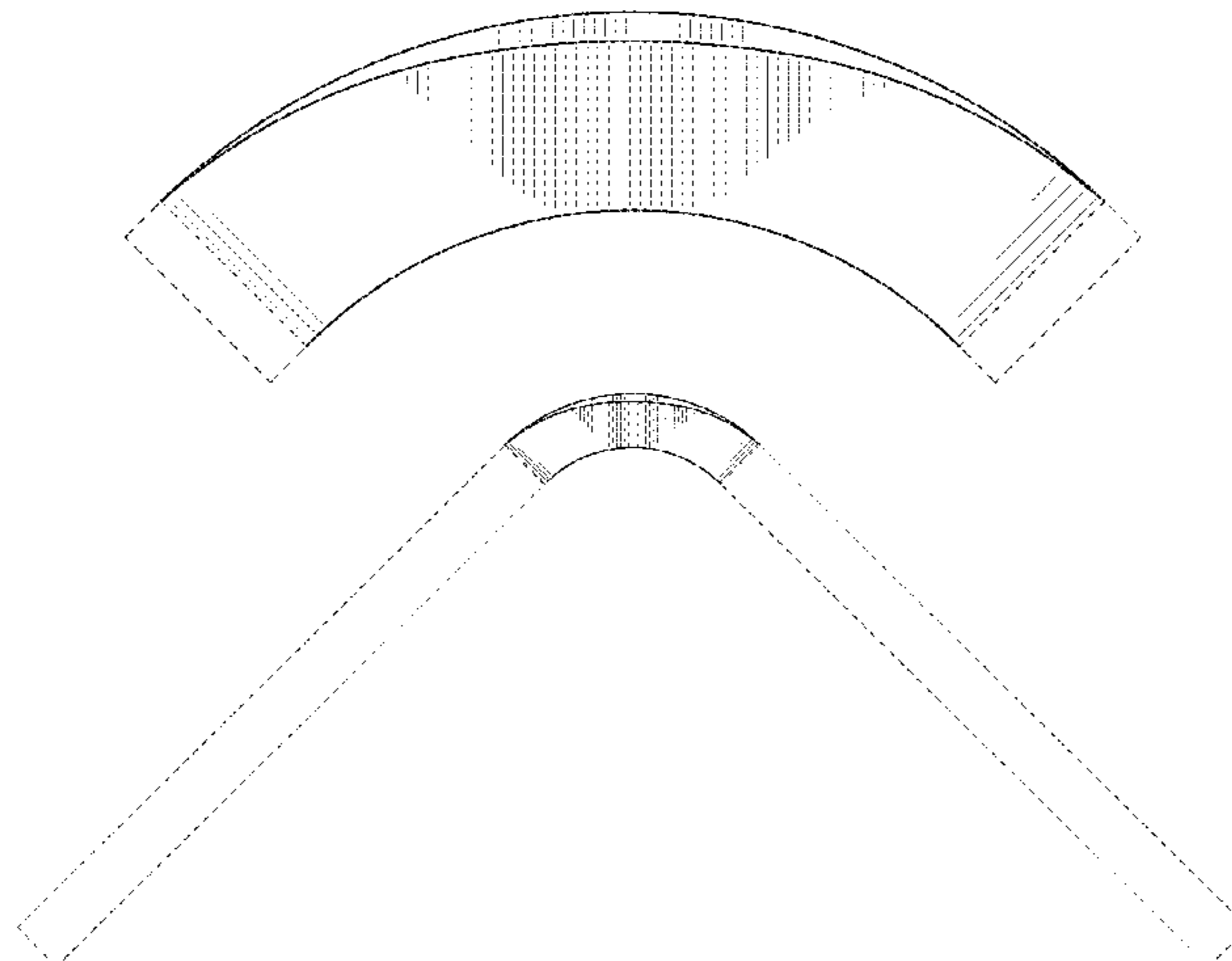
FIG. 15 is a rear elevation of the light fixture connector with banked turn;

FIG. 16 is a rear isometric view of the light fixture connector with banked turn, as seen from below and looking upward at a slight angle; and,

FIG. 17 is another top plan view of the light fixture connector with banked turn, with sight lines added to identify the views shown in FIGS. 1-5, 7, 9, 10, 13 and 15, for the reader's convenience.

Light broken lines in the drawings illustrate environmental light fixture structures adjacent to the light fixture connector

(Continued)



with banked turn that form no part of the claimed design. Dash-dot broken lines in FIG. 17 indicate cross-sectional planes and areas shown in FIGS. 1-5, 7, 9, 10, 13 and 15, as indicated by numerals associated with each dash-dot broken line.

**1 Claim, 9 Drawing Sheets**

(58) **Field of Classification Search**

CPC ..... F21S 2/00; F21S 4/00; F21S 4/003; F21S 4/005; F21S 4/006; F21S 4/007; F21S 4/008; F21S 6/00; F21S 8/00; F21S 8/024; F21S 8/026; F21S 8/031; F21S 8/033; F21S 8/035-037; F21S 8/04; F21S 8/043; F21S 8/063

See application file for complete search history.

(56)

**References Cited**

U.S. PATENT DOCUMENTS

D508,753	S	*	8/2005	Herst	.....	D26/138
D565,786	S	*	4/2008	Willmorth	.....	D26/138
D591,443	S	*	4/2009	Beno	.....	D26/76
D683,066	S	*	5/2013	Myung	.....	D26/120
D703,864	S	*	4/2014	Blum	.....	D26/118
D711,040	S	*	8/2014	Huang	.....	D26/120
D735,927	S	*	8/2015	Lee	.....	D26/120
D735,928	S	*	8/2015	Hawkins	.....	D26/120
D738,557	S	*	9/2015	Colombo	.....	D26/85
D739,591	S	*	9/2015	Tran	.....	D26/85
D740,487	S	*	10/2015	Nelson	.....	D26/153
D762,911	S	*	8/2016	Blum	.....	D26/88
D790,105	S	*	6/2017	Tran	.....	D26/87
D828,612	S	*	9/2018	Silver	.....	D26/91
D870,350	S	*	12/2019	Schwartz	.....	D26/88
D887,615	S	*	6/2020	Fiorato	.....	D26/85

\* cited by examiner

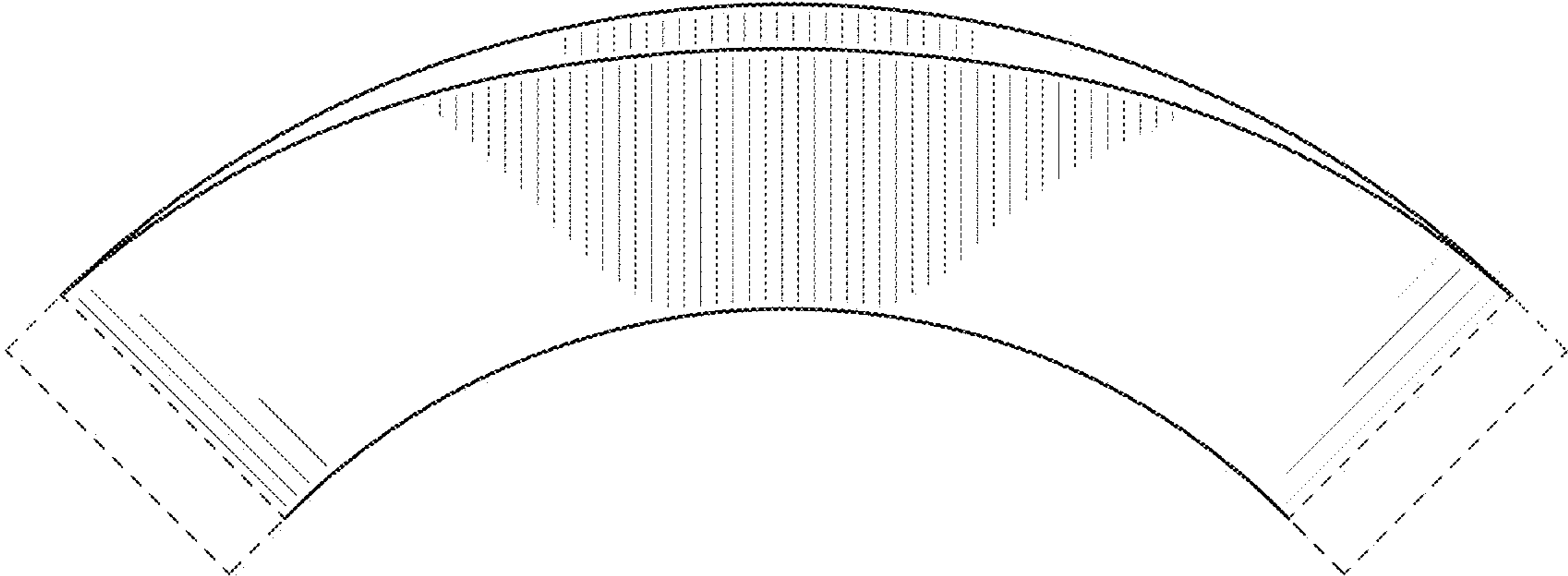


FIG. 1

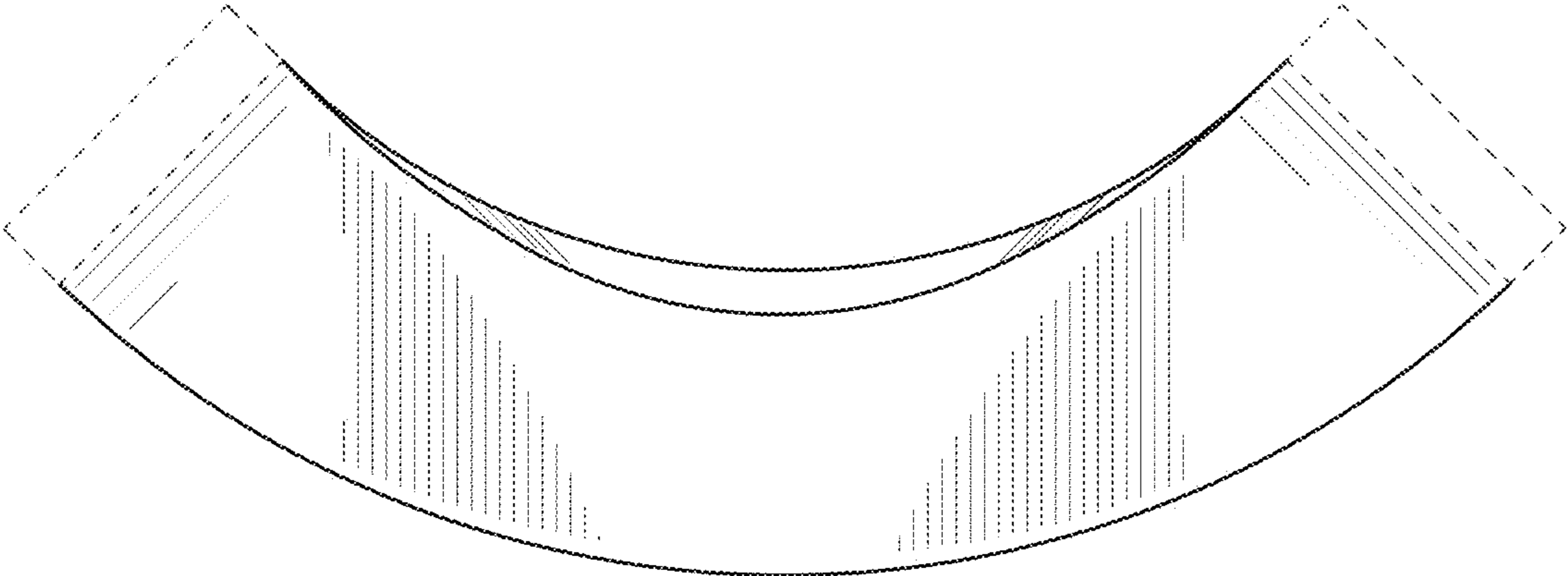


FIG. 2

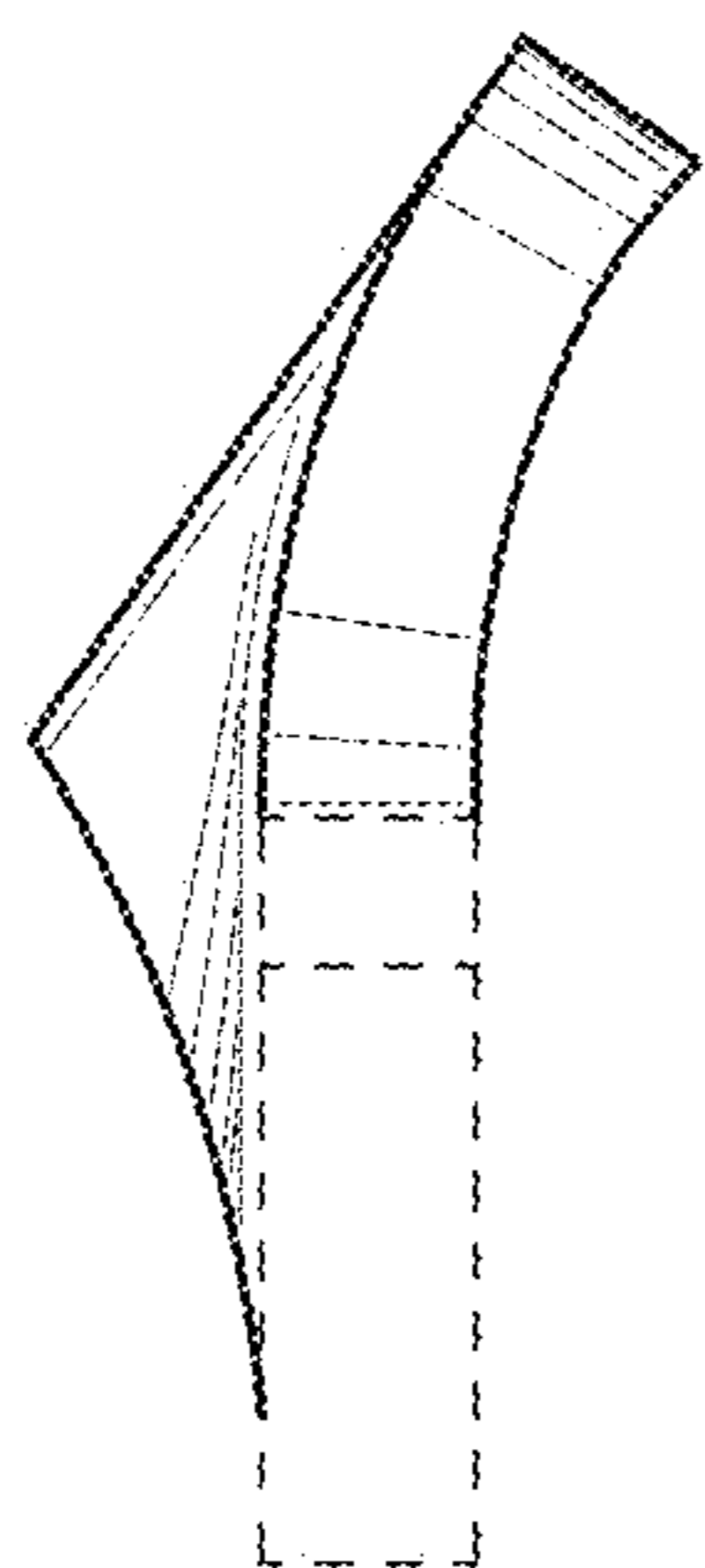


FIG. 3

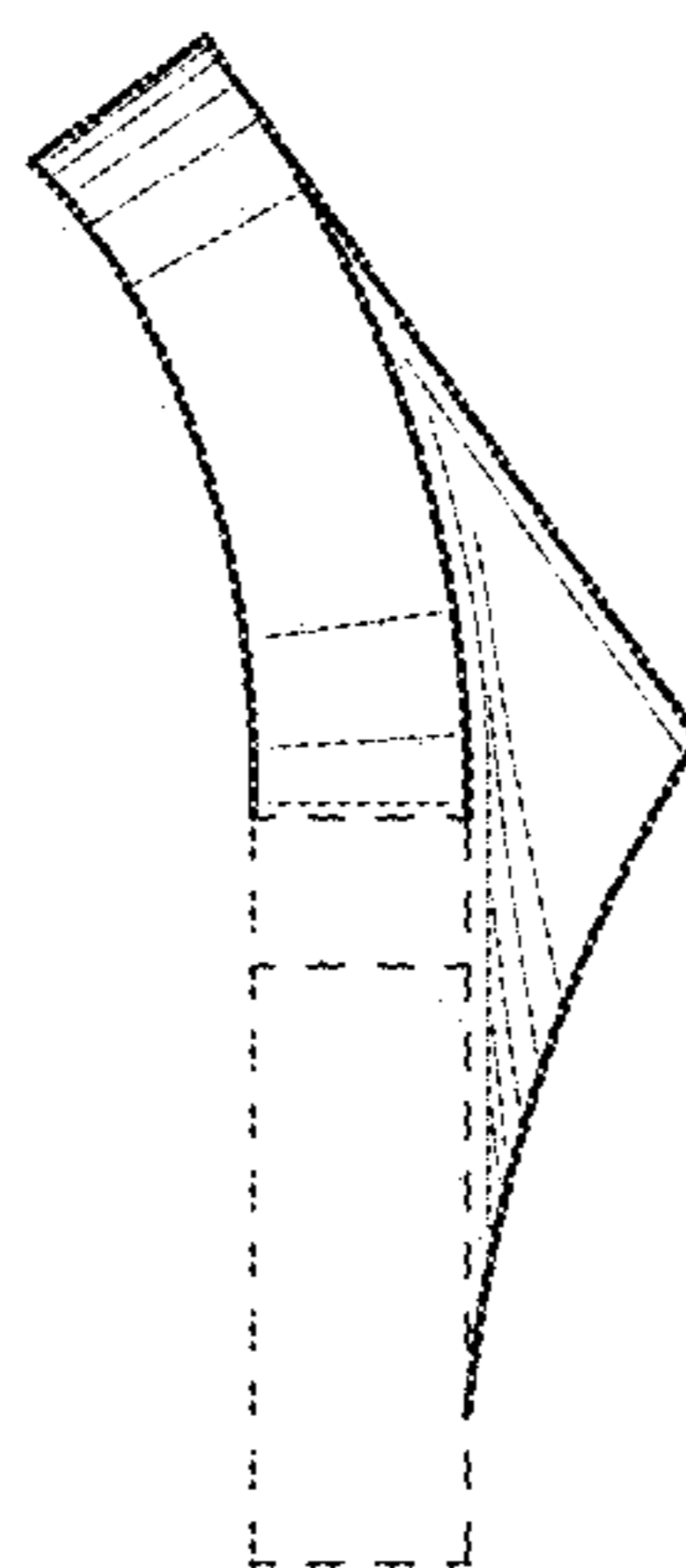


FIG. 4

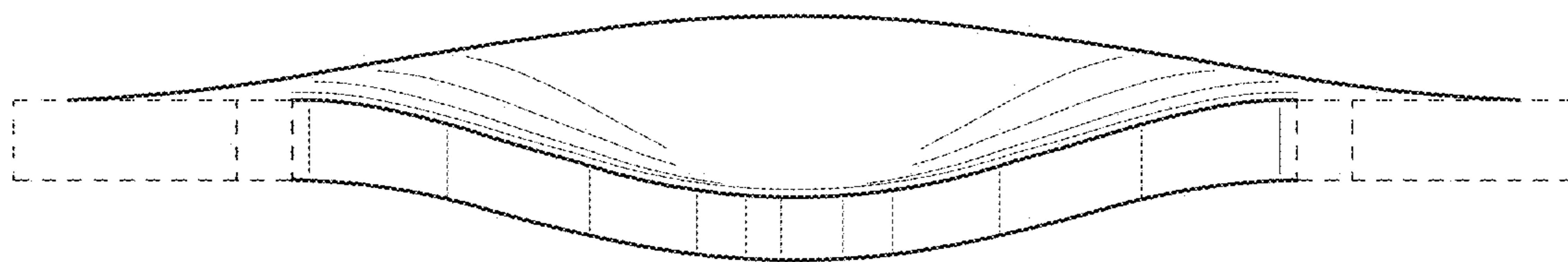


FIG. 5

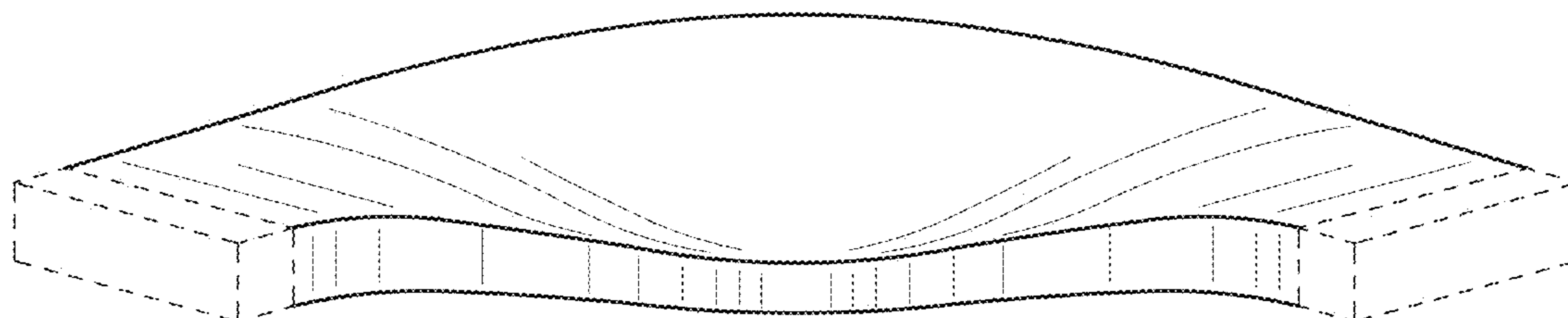


FIG. 6

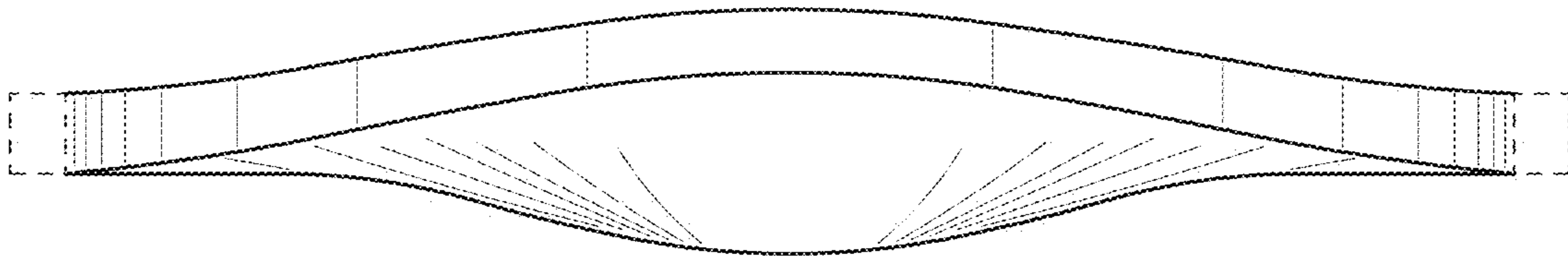


FIG. 7

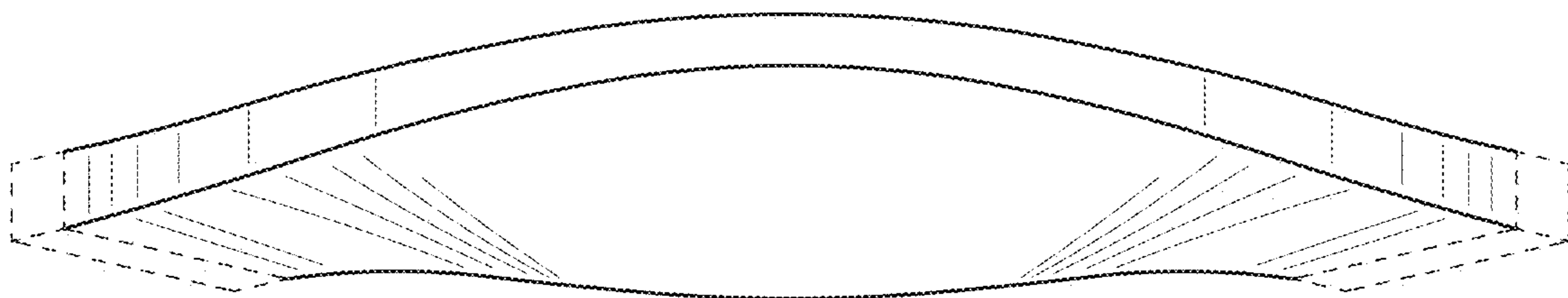


FIG. 8



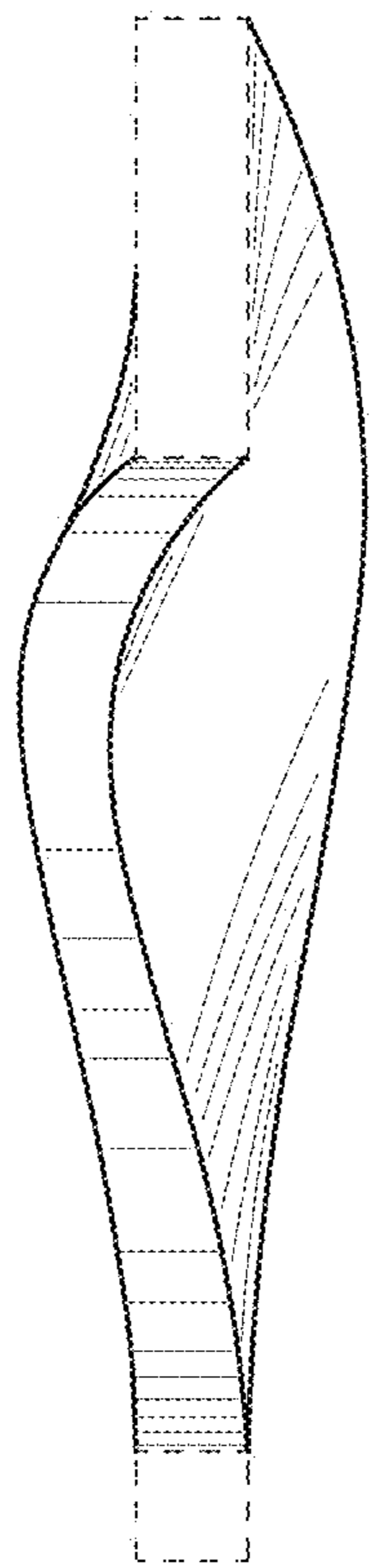


FIG. 9

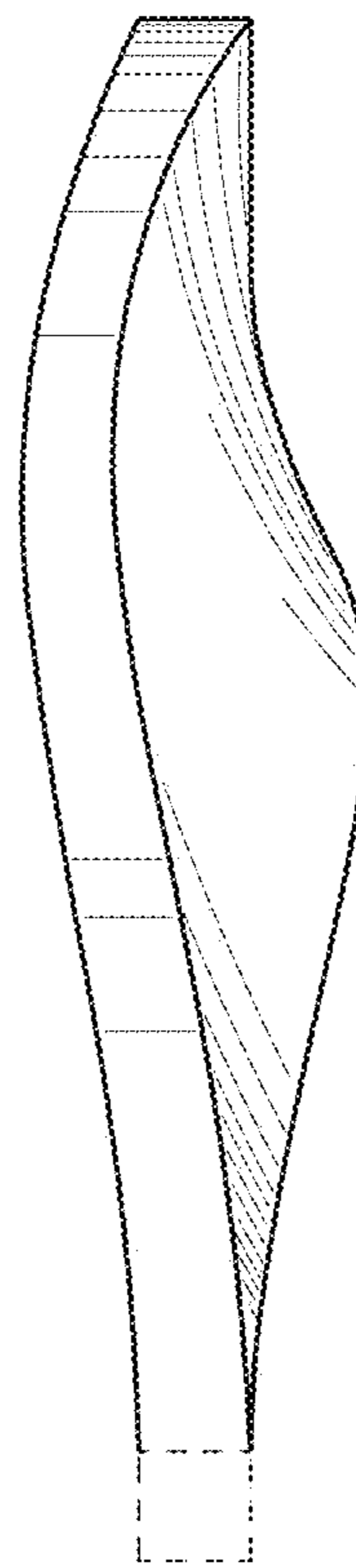


FIG. 10

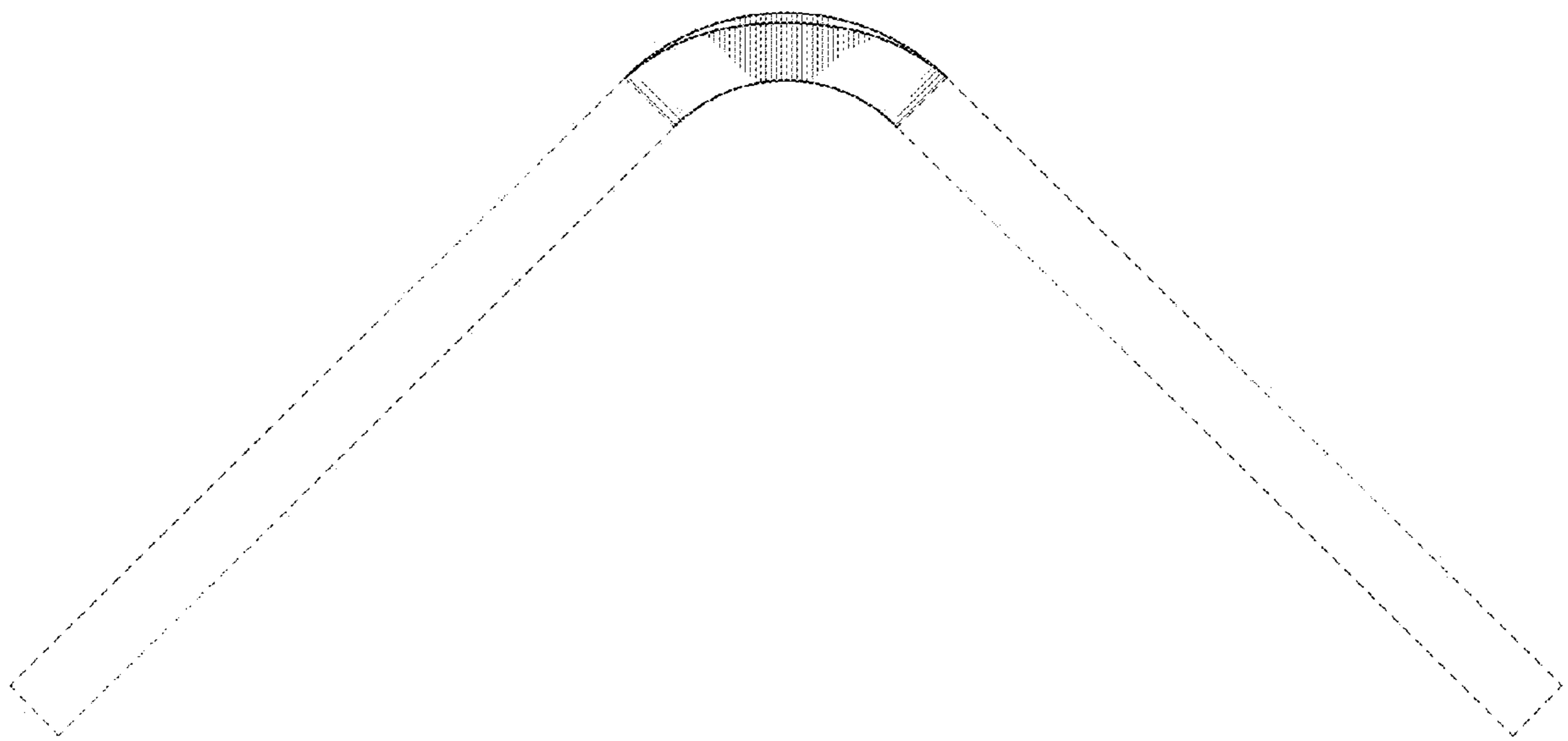


FIG. 11

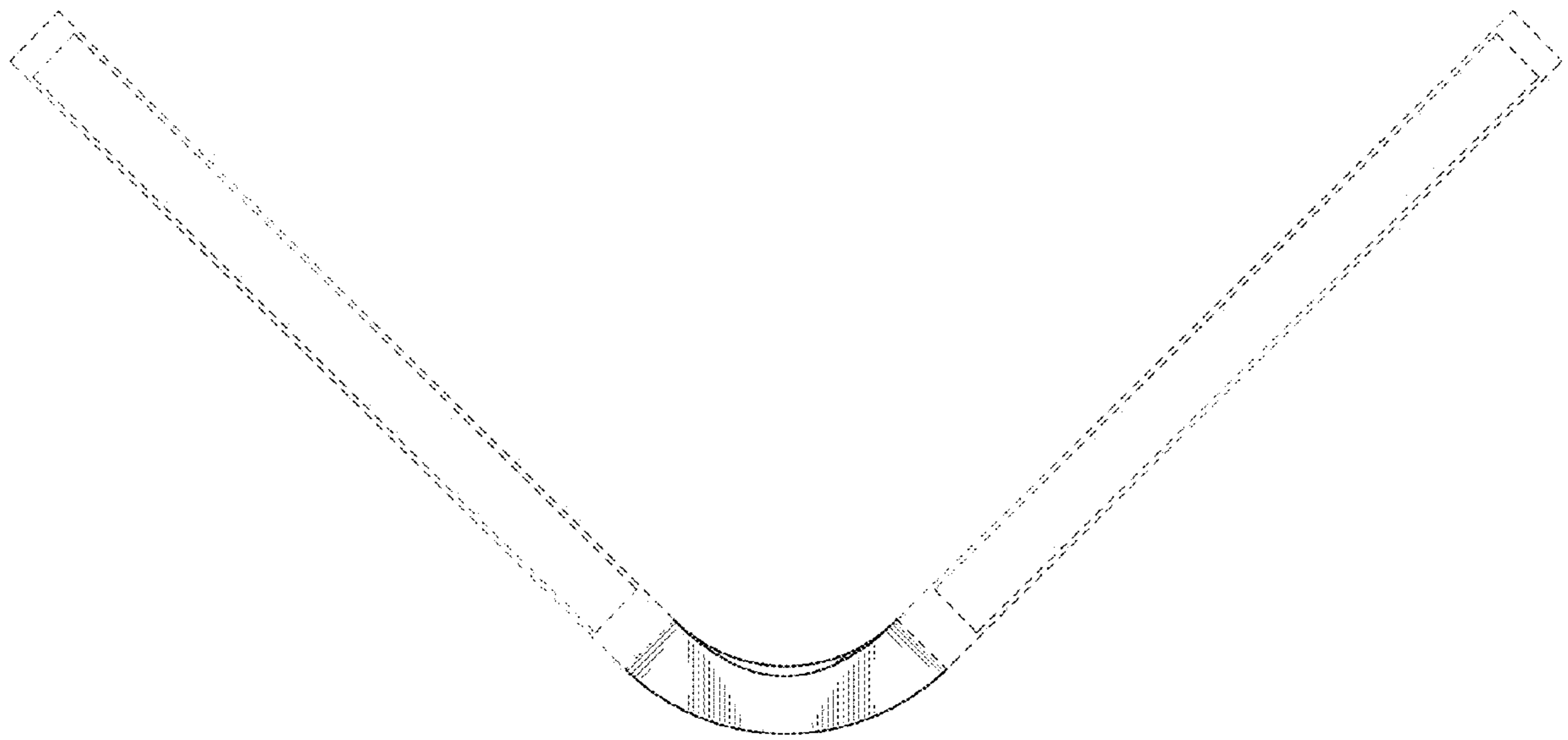


FIG. 12





FIG. 13

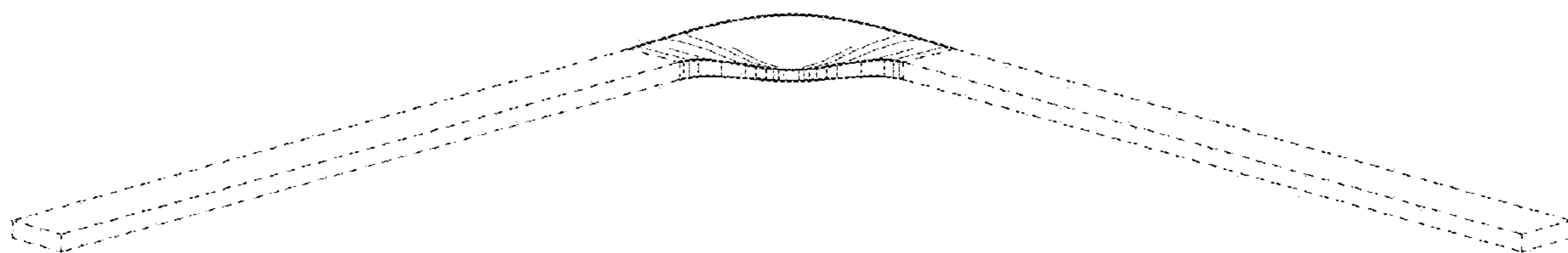


FIG. 14



FIG. 15

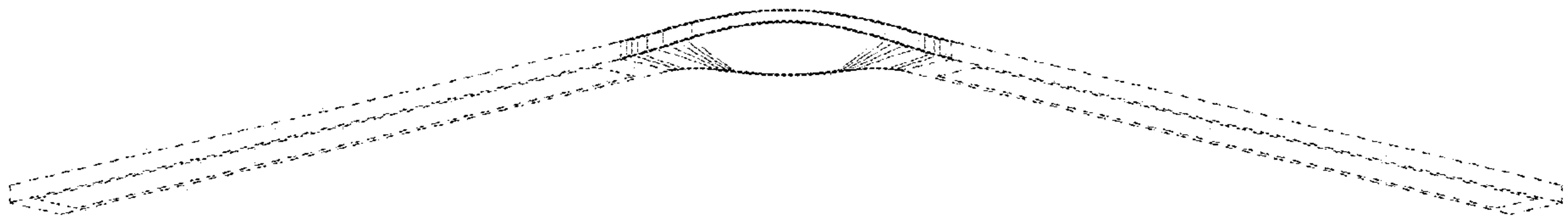


FIG. 16

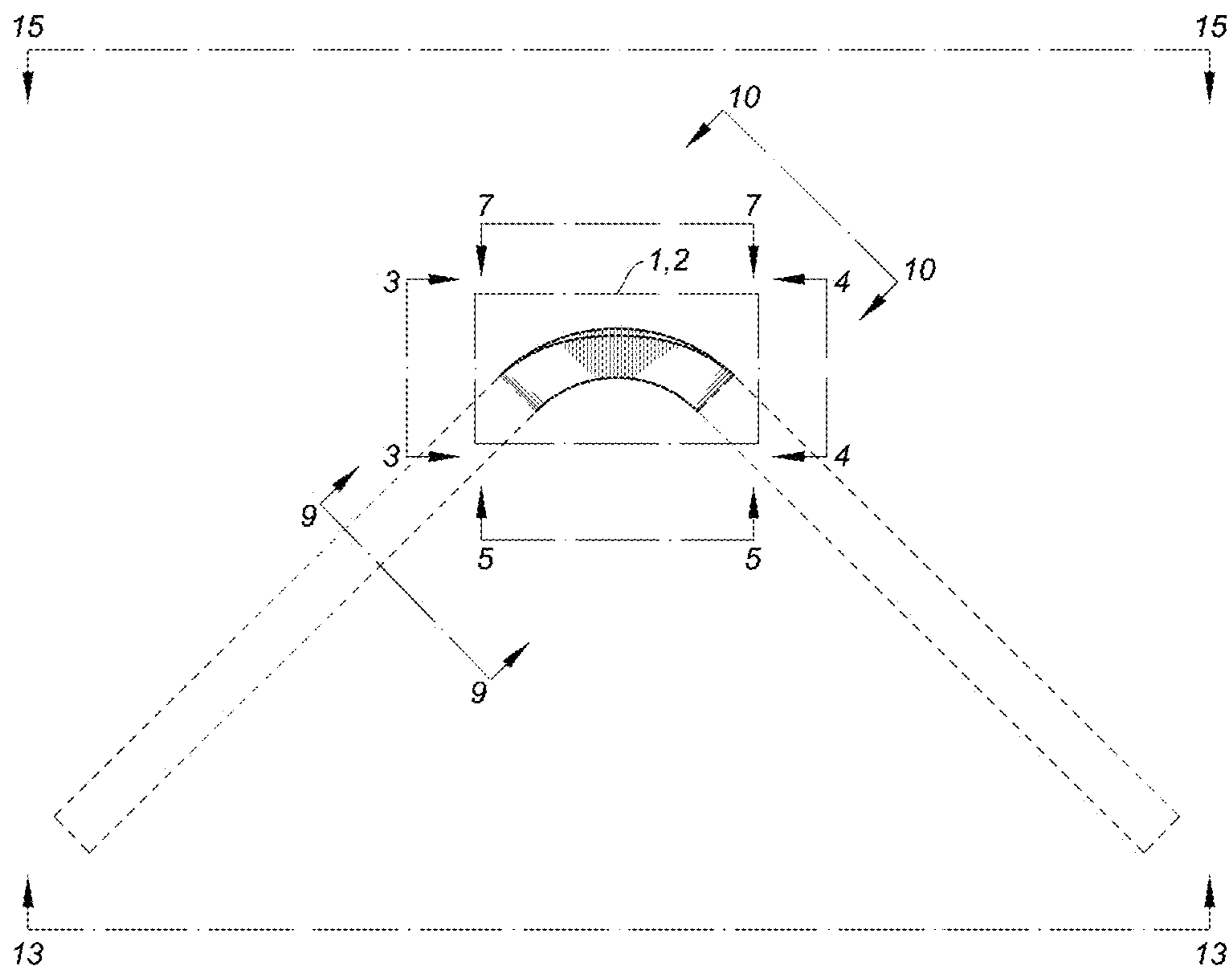


FIG. 17