



US00D903930S

(12) **United States Design Patent**  
**Chen**

(10) **Patent No.:** **US D903,930 S**

(45) **Date of Patent:** **\*\* Dec. 1, 2020**

(54) **TABLE LAMP**

(71) Applicant: **Dongguan Shengzhilin Lighting Technology Co., Ltd., Dongguan (CN)**

(72) Inventor: **Xiaobo Chen, Suizhou (CN)**

(\*\*) Term: **15 Years**

(21) Appl. No.: **29/741,165**

(22) Filed: **Jul. 10, 2020**

(30) **Foreign Application Priority Data**

Jul. 1, 2020 (CN) ..... 2020 3 0347994

(51) **LOC (12) Cl.** ..... **26-03**

(52) **U.S. Cl.**  
USPC ..... **D26/107**

(58) **Field of Classification Search**  
USPC ..... D26/93, 106, 107, 108  
CPC ..... F21Y 2101/02; F21S 6/003; F21V 21/26;  
F21V 21/02

See application file for complete search history.

(56) **References Cited**

**U.S. PATENT DOCUMENTS**

D600,386 S 9/2009 Huang  
D607,141 S 12/2009 Huang

D734,529 S 7/2015 Krenkler  
D744,693 S \* 12/2015 Kitts ..... D26/107  
D777,971 S \* 1/2017 Citterio ..... D26/107  
D802,201 S \* 11/2017 Xu ..... D26/107  
D873,475 S \* 1/2020 Wang ..... D26/107

\* cited by examiner

*Primary Examiner* — Brian N. Vinson  
(74) *Attorney, Agent, or Firm* — HYIP

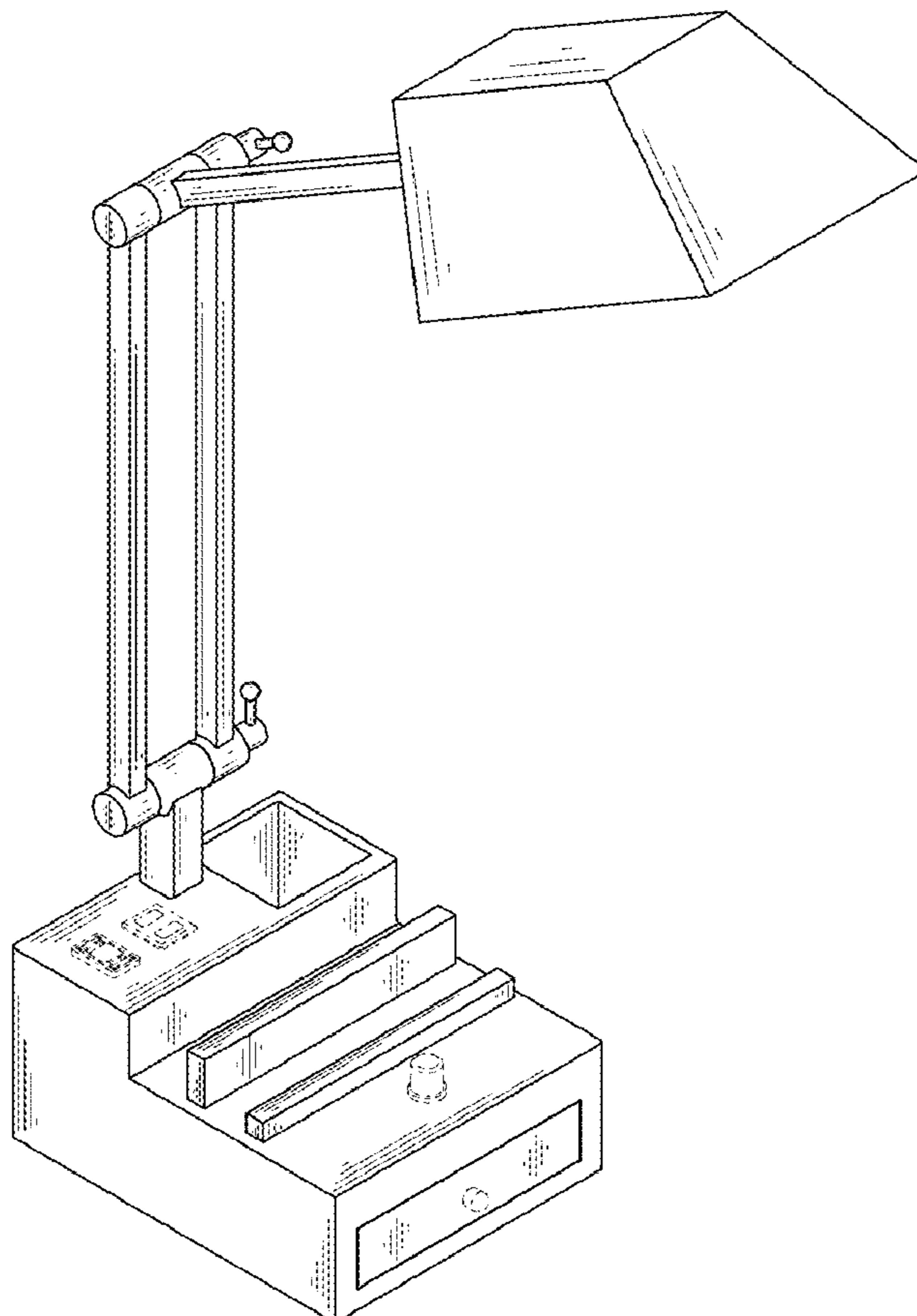
(57) **CLAIM**

The ornamental design for a table lamp, as shown and described.

**DESCRIPTION**

FIG. 1 is a first perspective view of a table lamp showing my new design;  
FIG. 2 is a second perspective view thereof;  
FIG. 3 is a front view thereof;  
FIG. 4 is a back view thereof;  
FIG. 5 is a left side view thereof;  
FIG. 6 is a right side view thereof;  
FIG. 7 is a top view thereof;  
FIG. 8 is a bottom view thereof; and,  
FIG. 9 is a perspective view of another state of the table lamp thereof.  
The broken lines shown in the drawings depict portions of the table lamp in which the design is embodied that form no part of the claimed design.

**1 Claim, 9 Drawing Sheets**



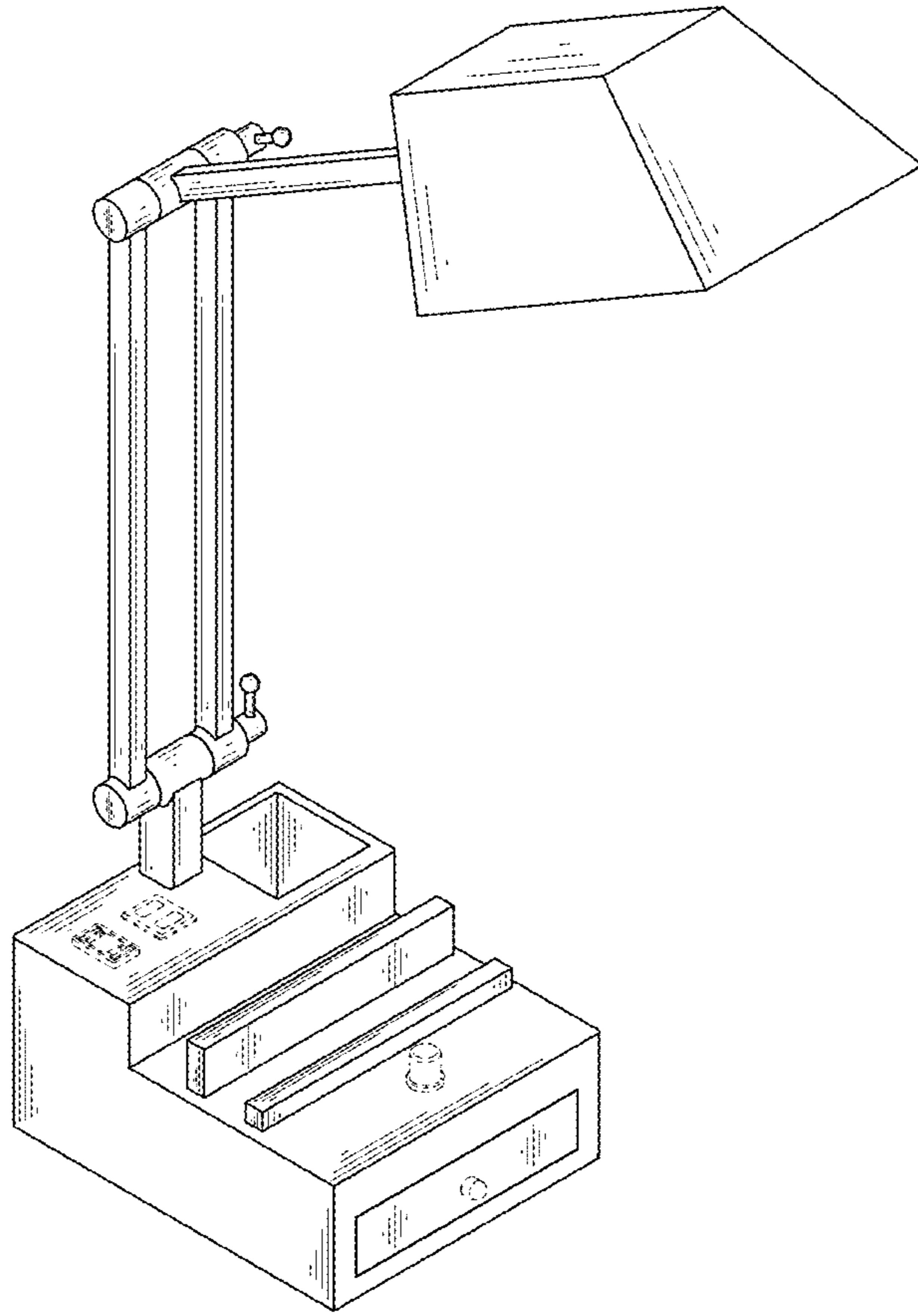


FIG. 1

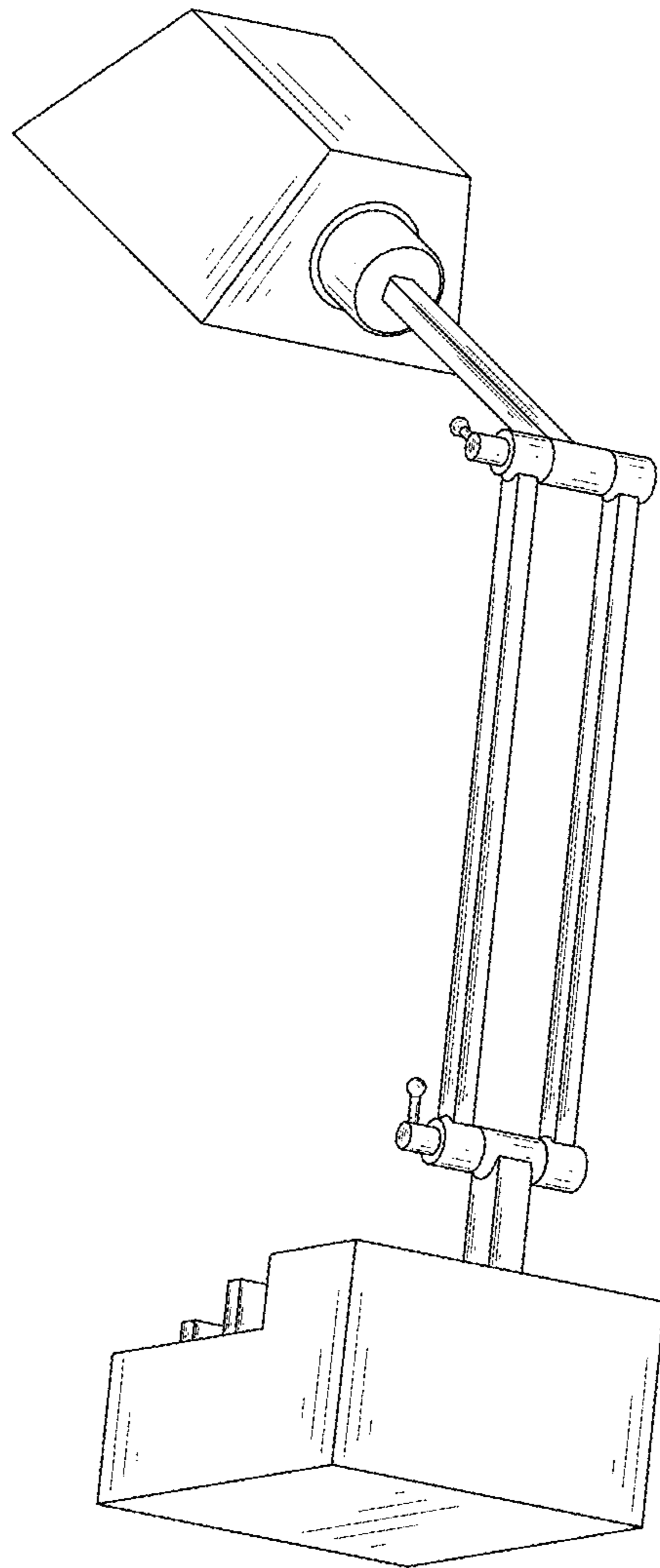


FIG. 2

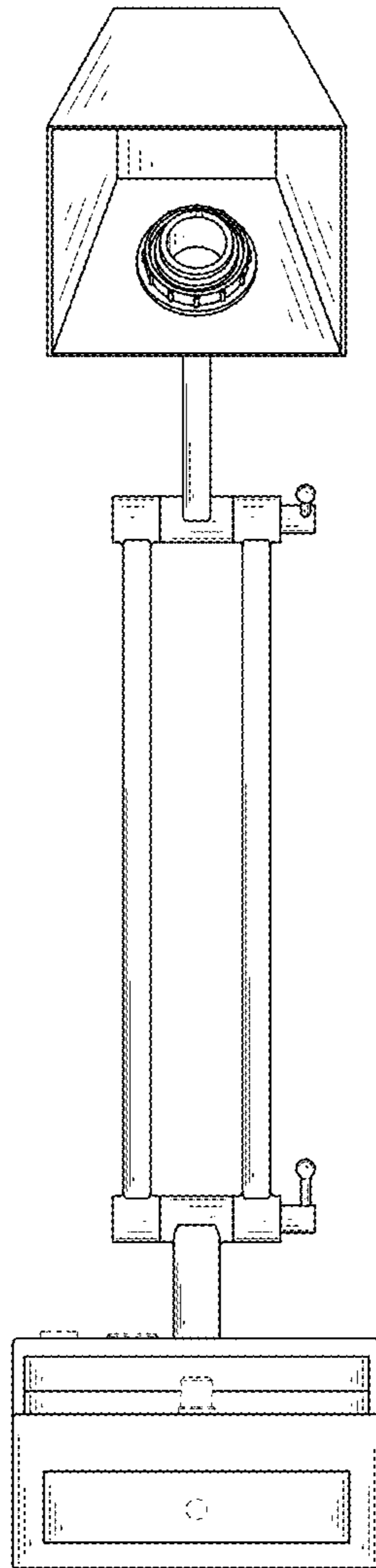


FIG. 3

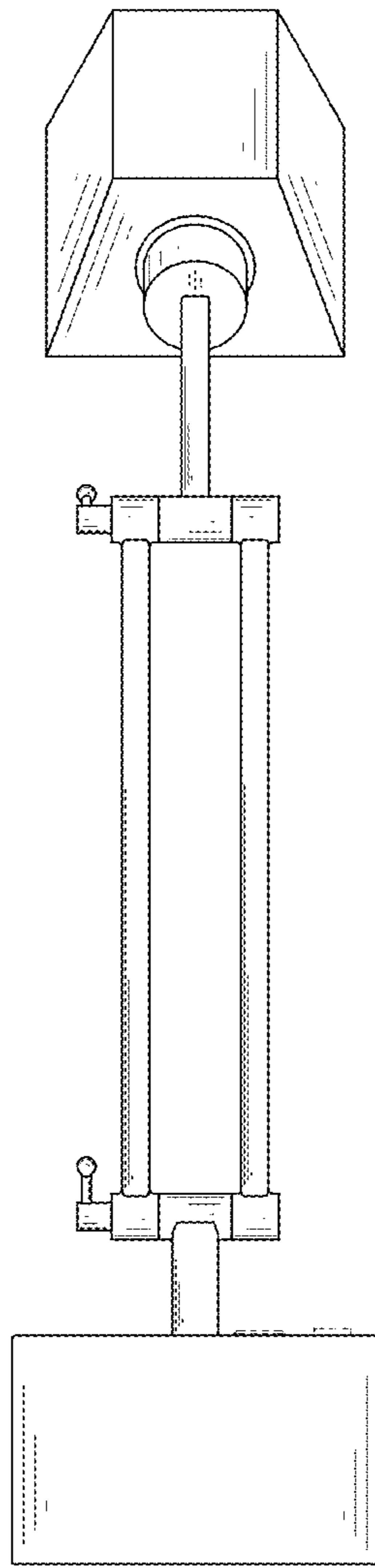


FIG. 4

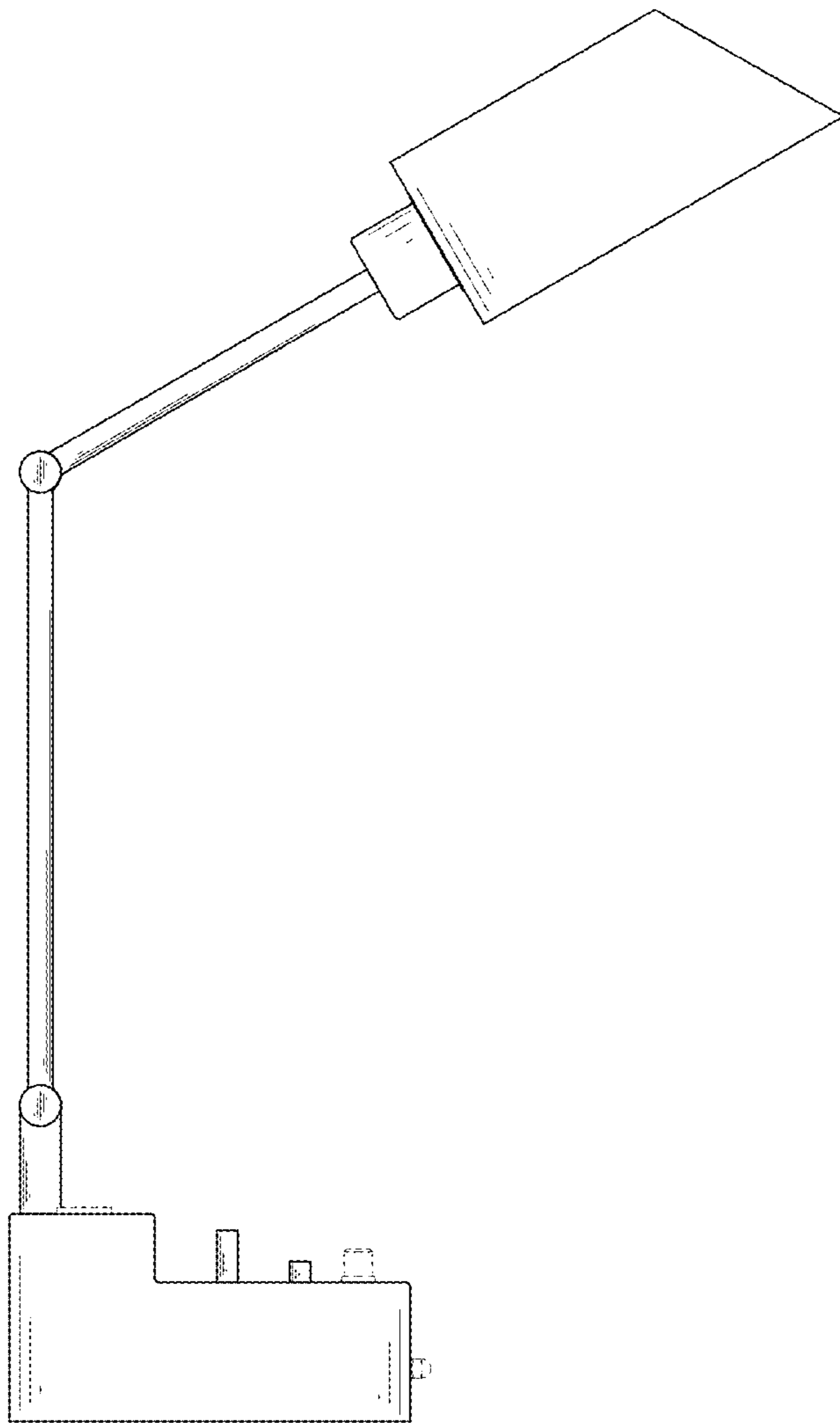


FIG. 5

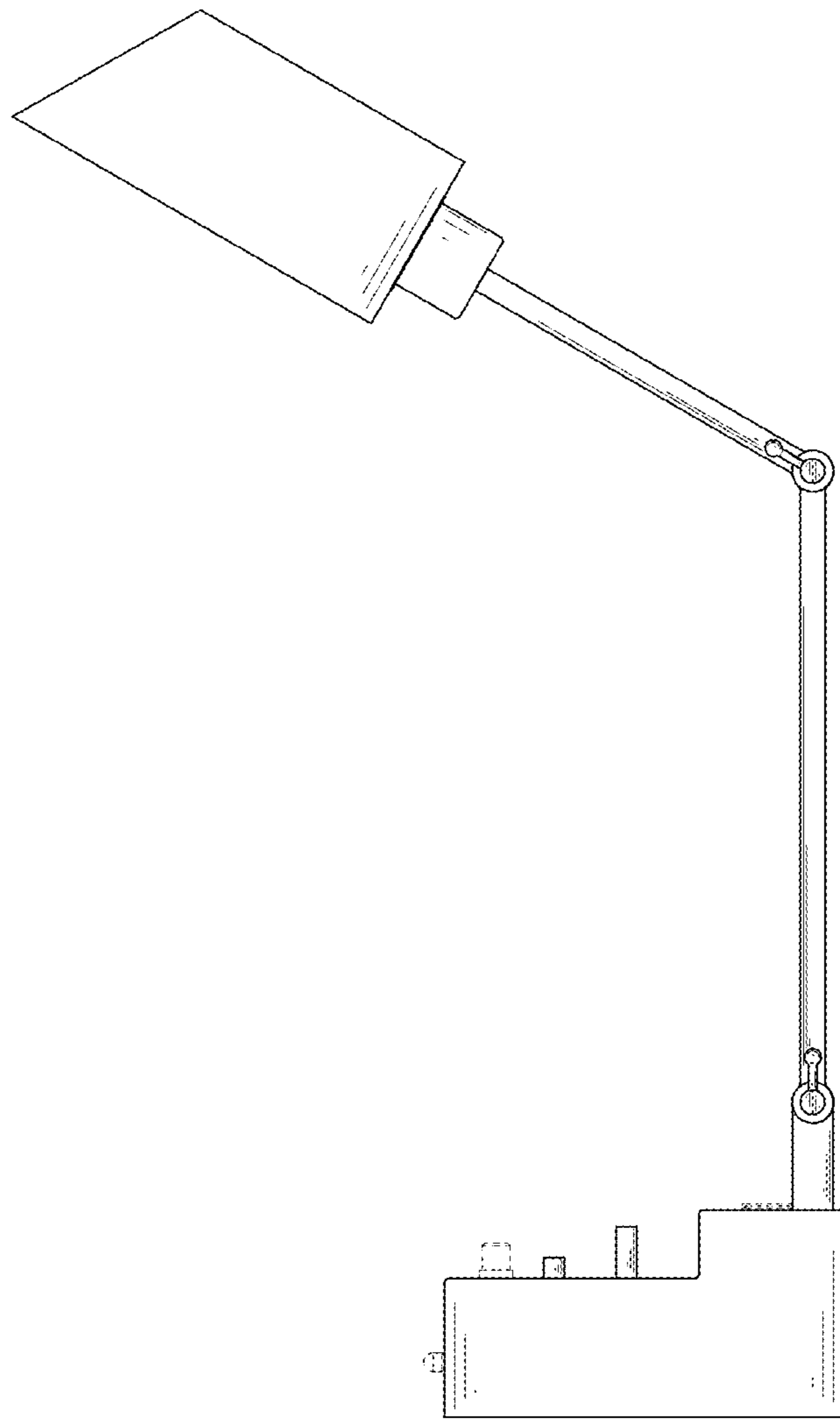


FIG. 6

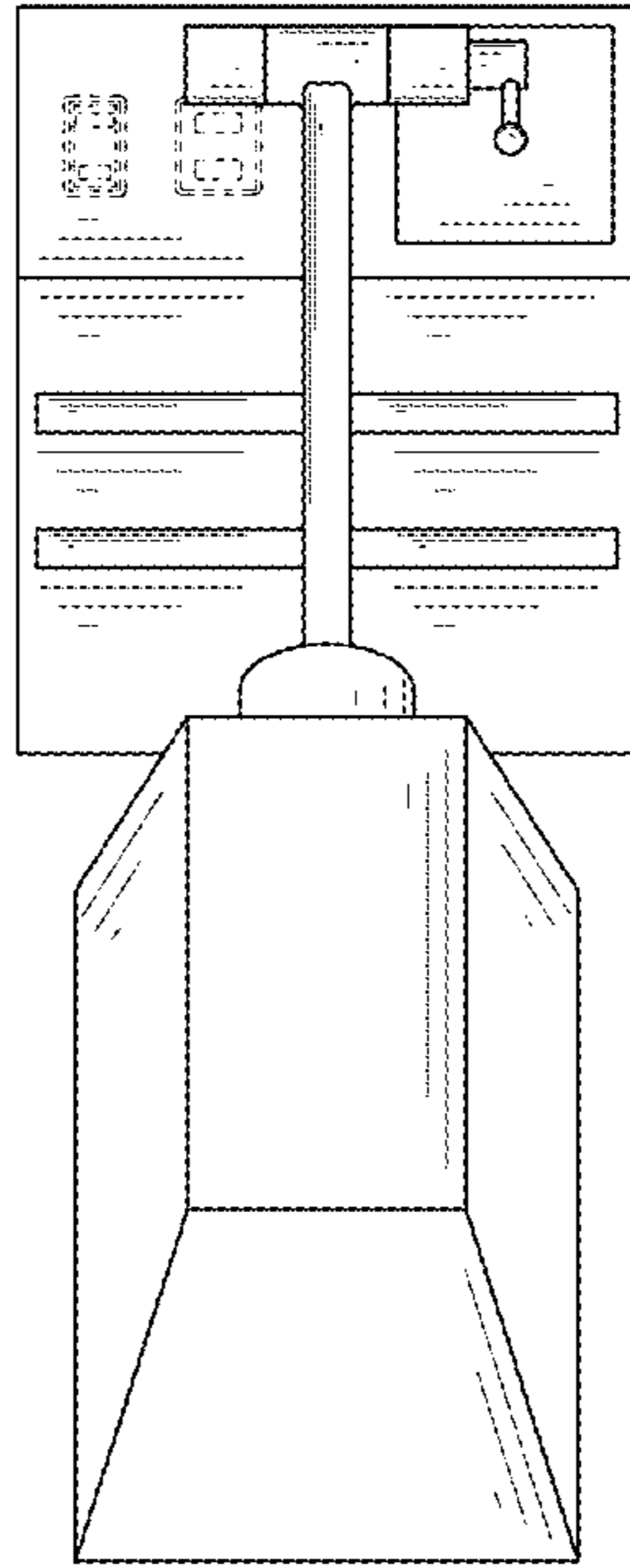


FIG. 7



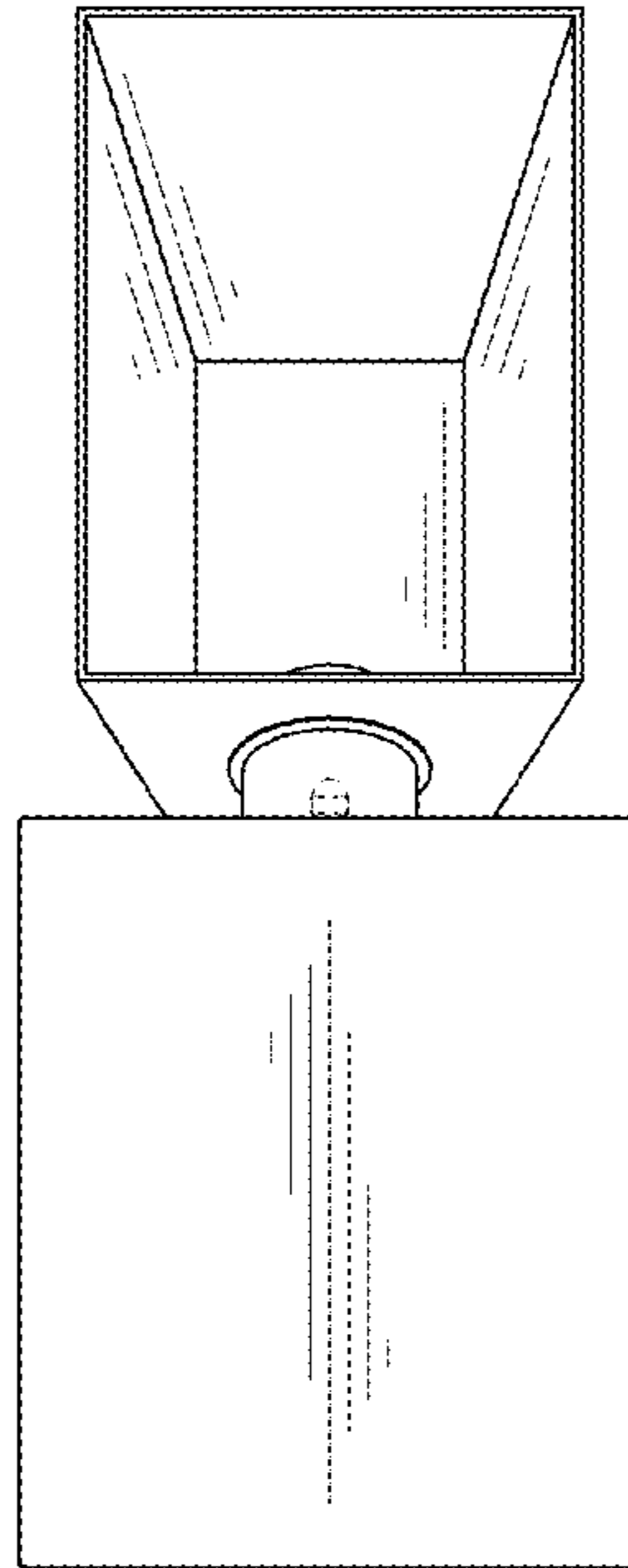


FIG. 8

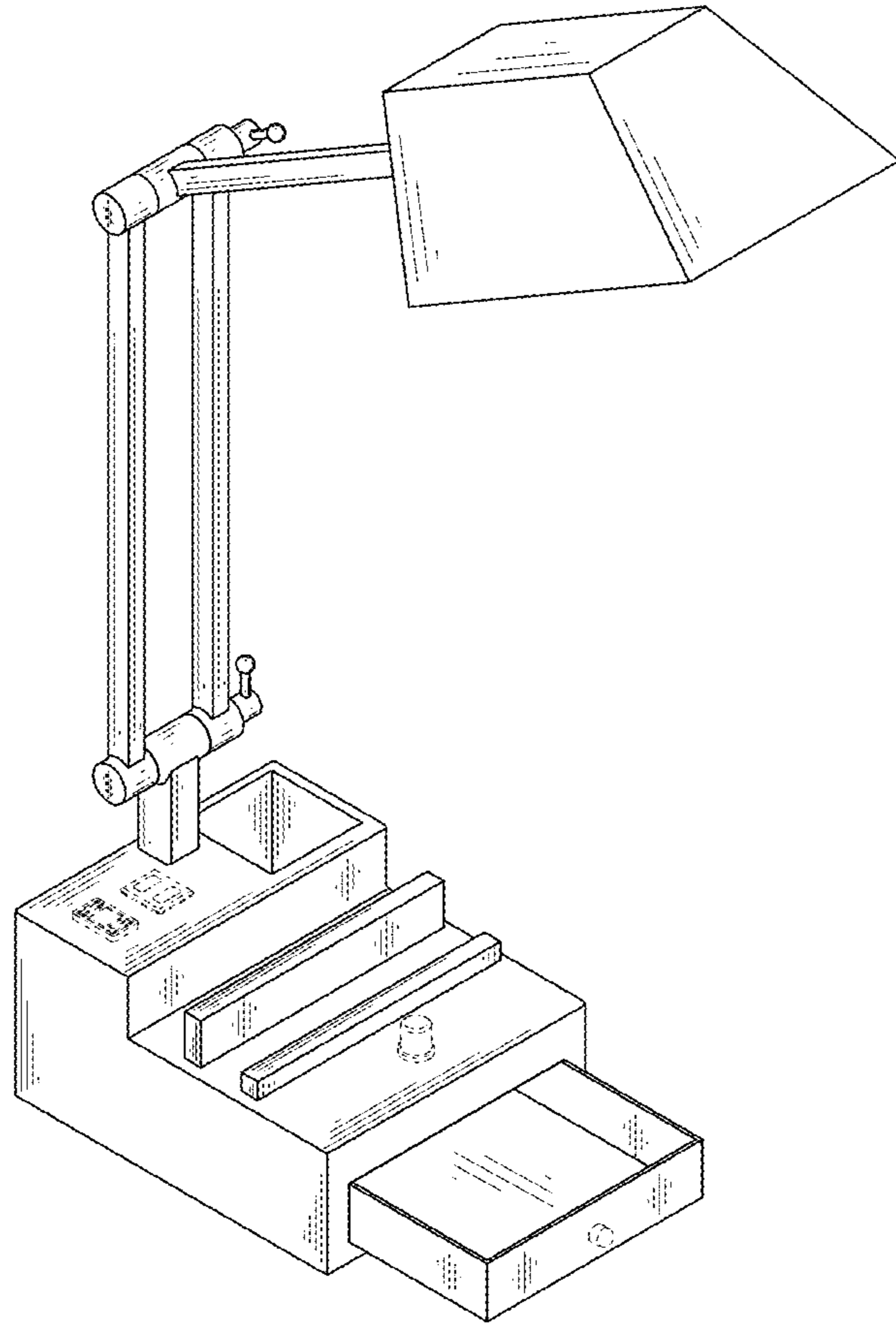


FIG. 9