



US00D903929S

(12) **United States Design Patent**
Gillespie

(10) **Patent No.:** **US D903,929 S**

(45) **Date of Patent:** **** Dec. 1, 2020**

(54) **LAMP**

(71) Applicant: **OVUUD, LLC**, Philadelphia, PA (US)

(72) Inventor: **Benjamin J Gillespie**, Philadelphia, PA (US)

(73) Assignee: **OVUUD, LLC**, Philadelphia, PA (US)

(**) Term: **15 Years**

(21) Appl. No.: **29/681,001**

(22) Filed: **Feb. 21, 2019**

(51) **LOC (12) Cl.** **26-03**

(52) **U.S. Cl.**
USPC **D26/106**

(58) **Field of Classification Search**
USPC D26/1, 24, 67, 93-94, 104-110, 95, 101,
D26/112, 118
CPC .. F21Y 2103/00; F21Y 2101/02; F21V 15/00;
F21V 25/00
See application file for complete search history.

(56) **References Cited**

U.S. PATENT DOCUMENTS

D370,290 S *	5/1996	Papillon	D26/106
D377,229 S *	1/1997	Shalvi	D26/104
D485,004 S *	1/2004	Olson	D26/104
D495,819 S *	9/2004	Krieger	D26/104
D507,374 S *	7/2005	Chen	D26/104

D600,396 S *	9/2009	Luinstra	D26/104
D626,280 S *	10/2010	Feigenbaum	D26/104
D646,837 S *	10/2011	Yu	D26/104

* cited by examiner

Primary Examiner — Brian N. Vinson

(74) *Attorney, Agent, or Firm* — The Belles Group, P.C.

(57) **CLAIM**

The ornamental design for a lamp, as shown and described.

DESCRIPTION

FIG. 1 is a front-right top perspective view of a lamp showing my new design, with the front-left top perspective view being a mirror imaged of that shown;

FIG. 2 is a rear-left bottom perspective view of the lamp thereof, with the rear-right bottom perspective view being a mirror image of that shown;

FIG. 3 is a front-right bottom perspective view of the lamp thereof;

FIG. 4 is a rear-left top perspective

FIG. 5 is a front plan view of the lamp thereof;

FIG. 6 is a rear plan view of the lamp thereof;

FIG. 7 is a left-side plan view of the lamp thereof;

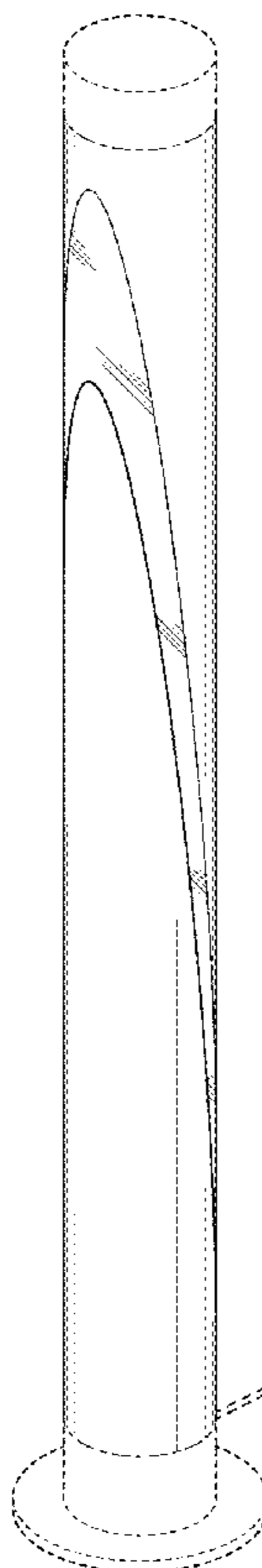
FIG. 8 is a right-side plan view of the lamp thereof;

FIG. 9 is a top plan view of the lamp thereof; and,

FIG. 10 is a bottom plan view of the lamp thereof.

The broken line disclosure formed by segments of equal length represent portions of the lamp which form no part of the claimed design, and the broken line disclosure formed by dash-dot-dash segments represent an unclaimed boundary between claimed and unclaimed surfaces of the lamp.

1 Claim, 7 Drawing Sheets



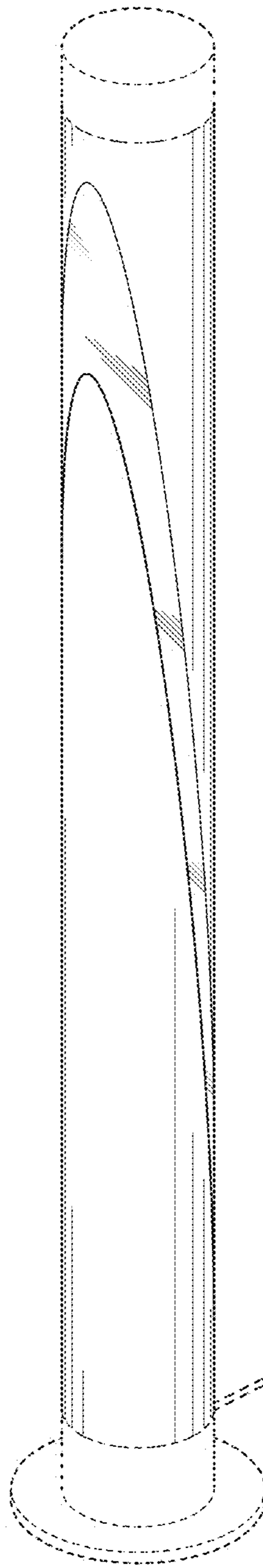


FIG. 1

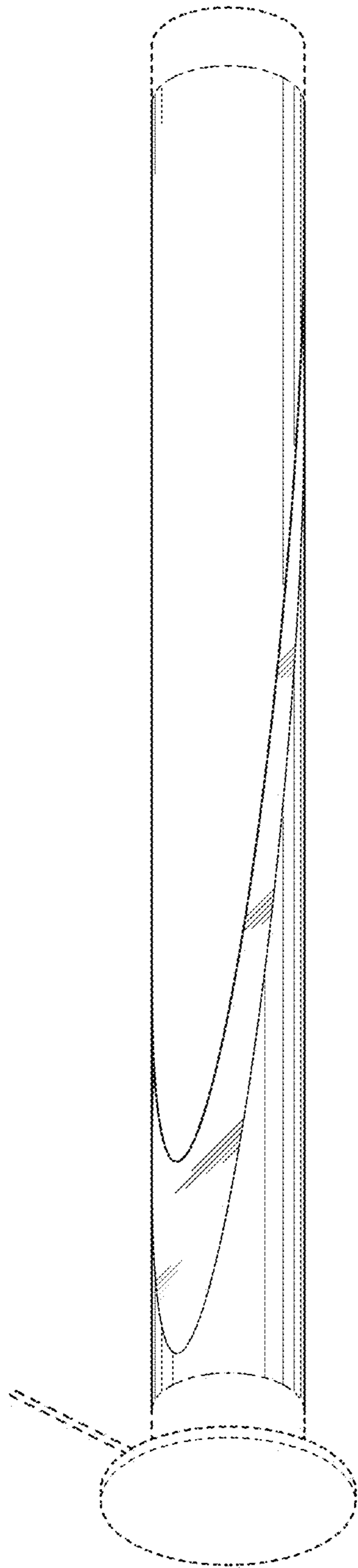


FIG. 2

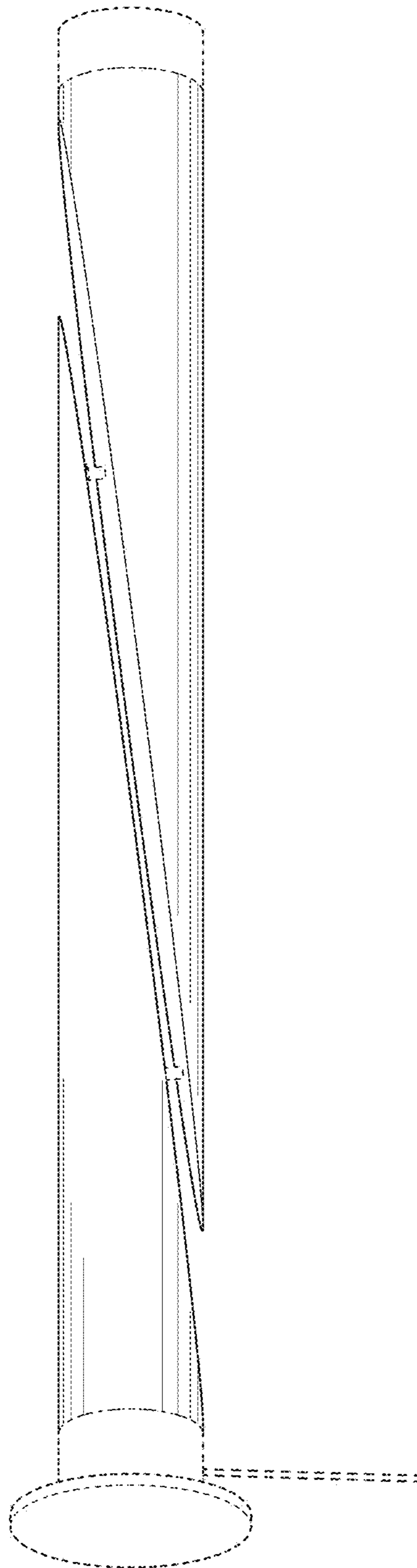


FIG. 3

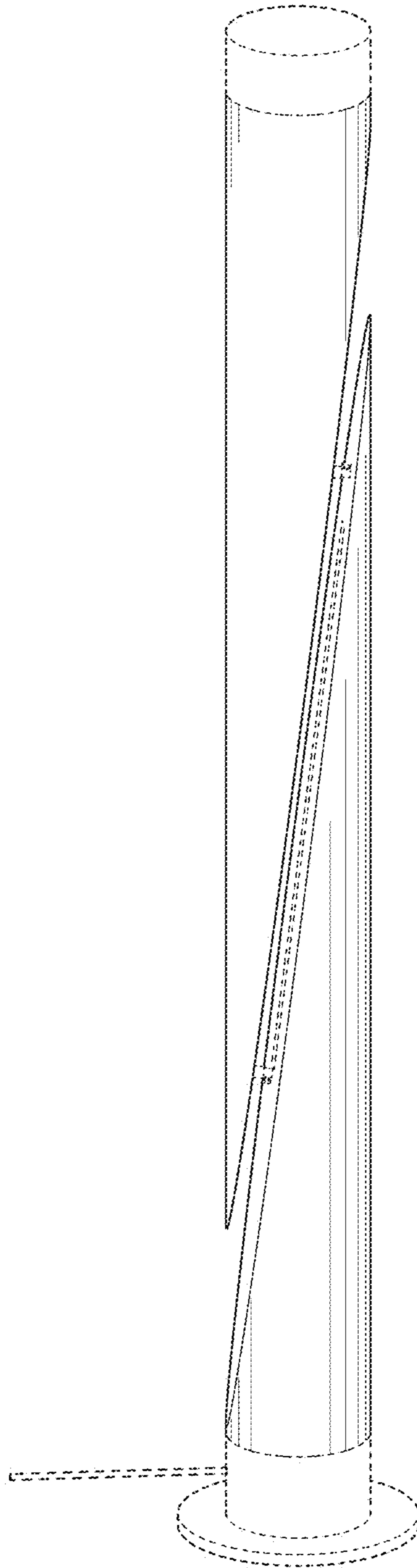


FIG. 4

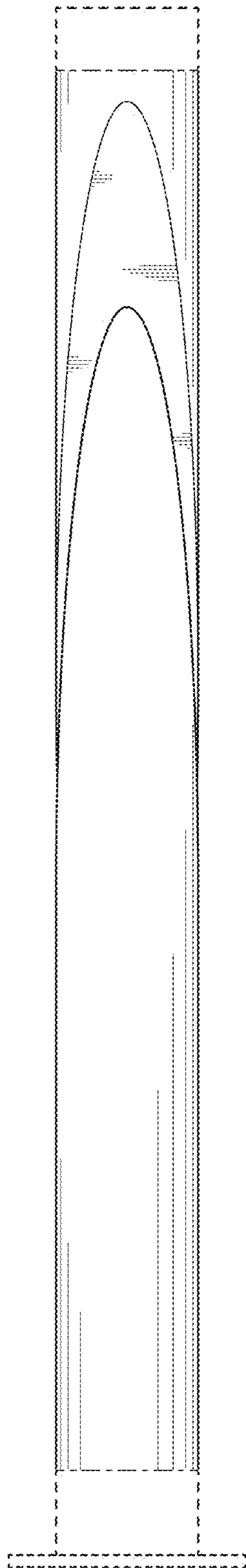


FIG. 5

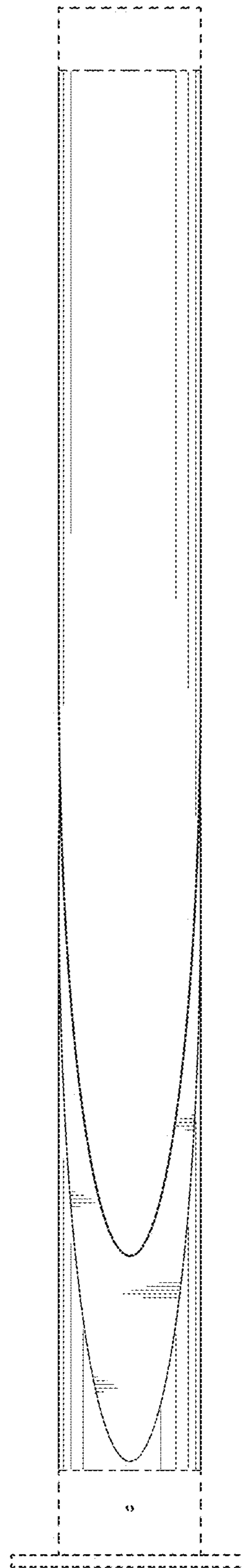


FIG. 6

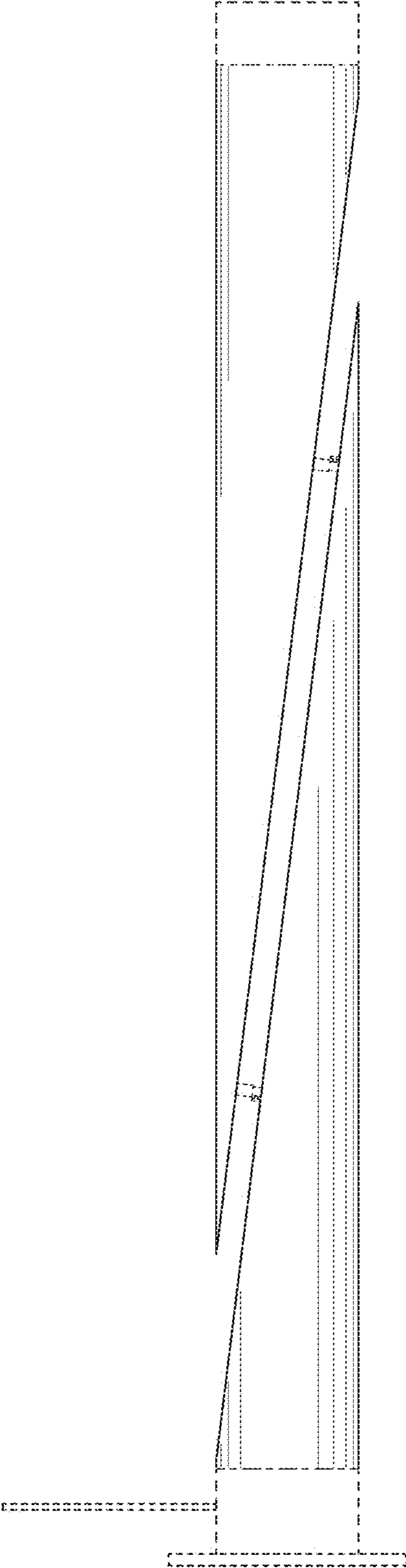


FIG. 7

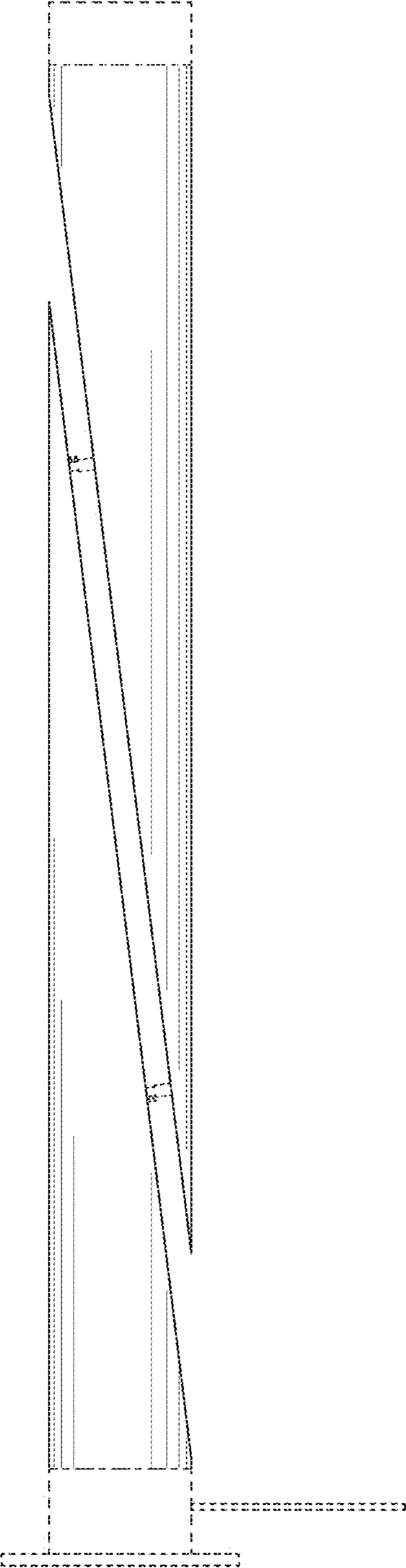


FIG. 8

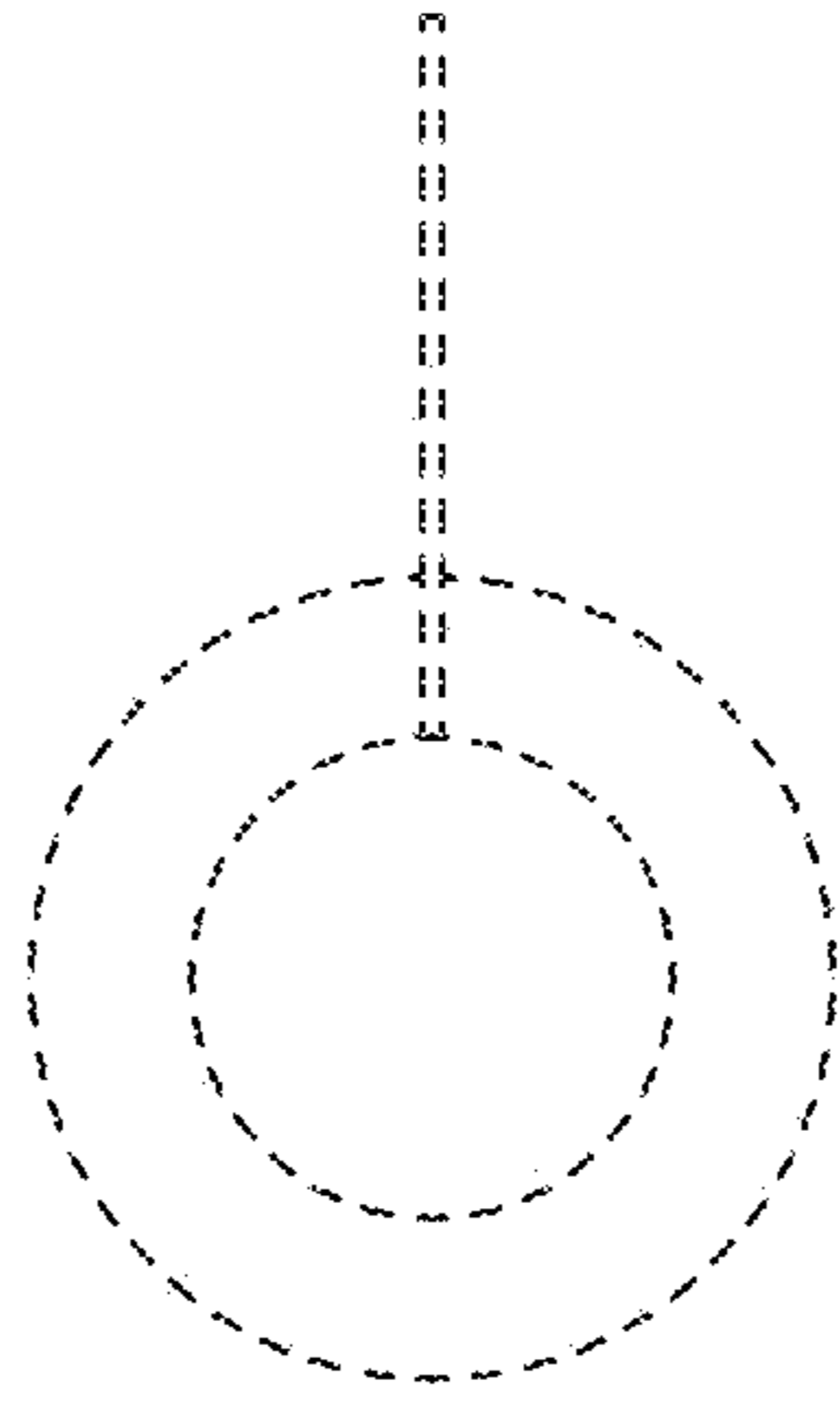


FIG. 9

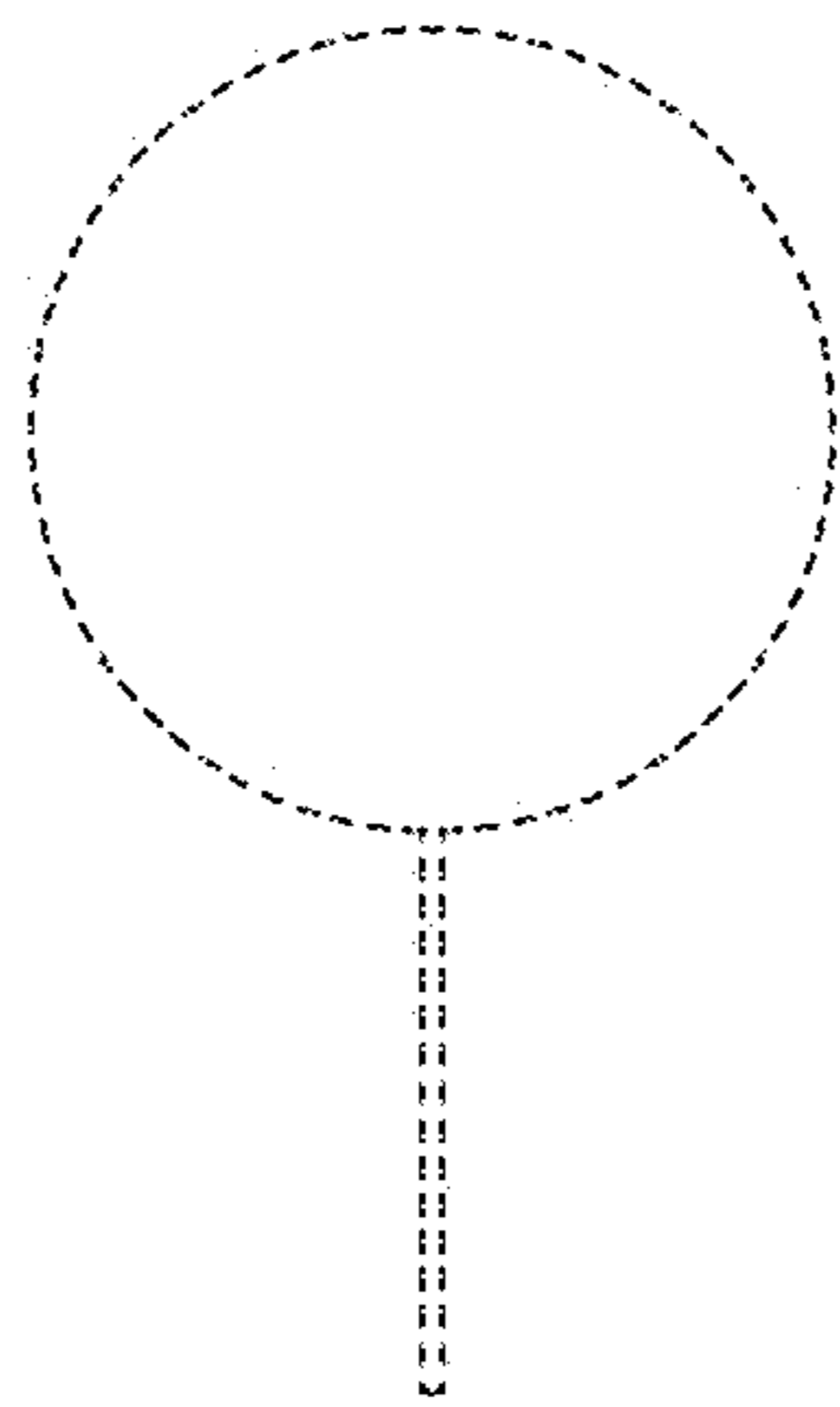


FIG. 10