



US00D903927S

(12) **United States Design Patent** (10) **Patent No.:** **US D903,927 S**
Johnson (45) **Date of Patent:** **** Dec. 1, 2020**

(54) **COLOR CHANGING CIRCULAR LIGHT**

(71) Applicant: **London Johnson, Inc.**, Dallas, TX (US)

(72) Inventor: **Brian P. Johnson**, Dallas, TX (US)

(73) Assignee: **London Johnson, Inc.**, Dallas, TX (US)

(**) Term: **15 Years**

(21) Appl. No.: **29/667,934**

(22) Filed: **Oct. 25, 2018**

(51) **LOC (12) Cl.** **26-03**

(52) **U.S. Cl.**
USPC **D26/89**

(58) **Field of Classification Search**
USPC D26/25, 72, 76, 80, 85, 89
CPC F21S 8/03; F21S 8/033; F21S 8/036; F21S 8/037; F21S 9/022; F21S 9/024; F21S 9/03; F21S 9/035; F21S 9/037; F21W 2131/107; G08B 13/193; F21V 23/023
See application file for complete search history.

(56) **References Cited**

U.S. PATENT DOCUMENTS

D381,450 S *	7/1997	Sonneman	D26/72
D482,485 S *	11/2003	Benghozi	D26/85
D561,925 S	2/2008	Levine		
D567,987 S *	4/2008	Khubani	D26/85
D603,997 S *	11/2009	Shiu	D26/72
D607,600 S *	1/2010	Keith	D26/85
D828,606 S *	9/2018	Johnson	D26/80
D831,268 S	10/2018	Johnson		
D841,222 S *	2/2019	Johnson	D26/89
2009/0034261 A1 *	2/2009	Grove	F21V 29/83 362/294

2011/0128723 A1 *	6/2011	Coleman	F21V 21/30 362/183
2018/0156428 A1 *	6/2018	Ratley	F21K 9/20
2019/0239308 A1 *	8/2019	Lee	F21V 23/007
2020/0091746 A1 *	3/2020	Chien	F21V 23/023

OTHER PUBLICATIONS

IPOW Battery-Powered Wireless Night Light Stick Tap Touch Lamp Stick-on Push Light, available at amazon.com May 16, 2014. (Year: 2014).*
Dream Master 5 Pack LED Battery-powered Wireless Night Light, available at amazon.com Apr. 18, 2018. (Year: 2018).*
UOTOO Bright Tap Light, available at amazon.com Aug. 25, 2017. (Year: 2017).*

* cited by examiner

Primary Examiner — Clare E Heflin
(74) *Attorney, Agent, or Firm* — Perkins Coie LLP

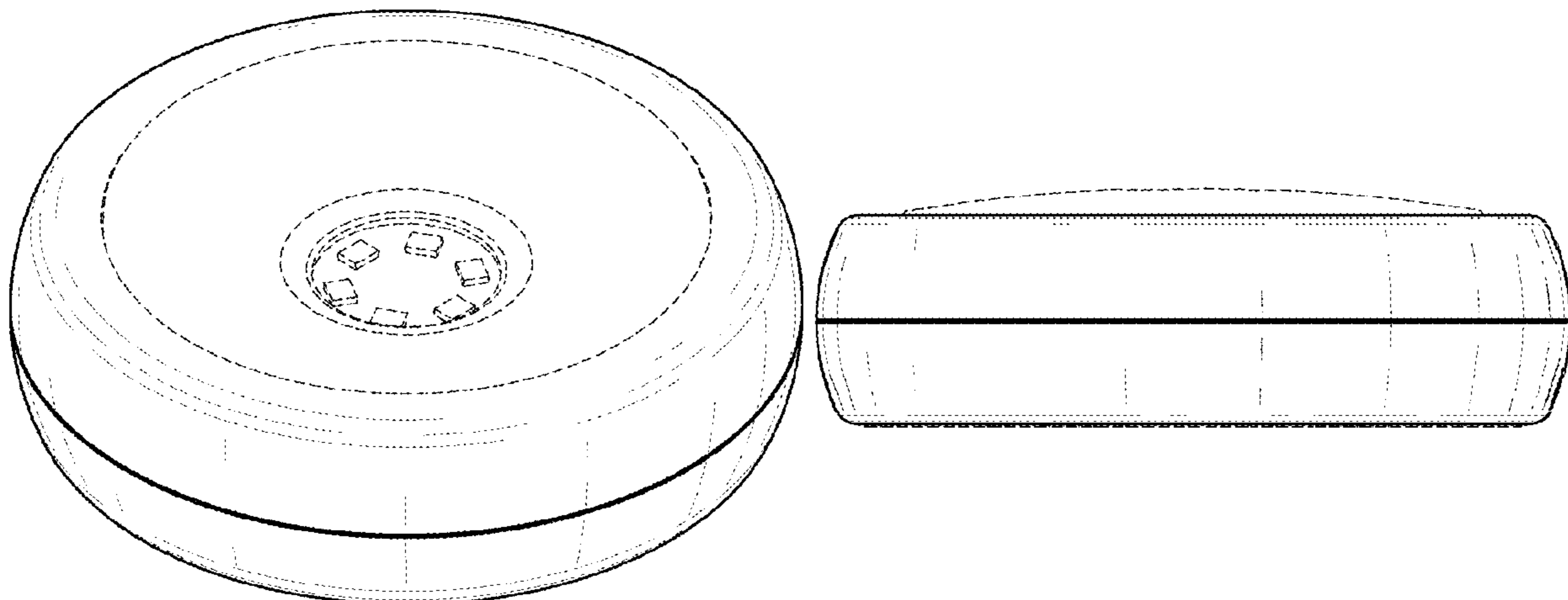
(57) **CLAIM**

The ornamental design for a color changing circular light, as shown and described.

DESCRIPTION

FIG. 1 is a perspective view of a color changing circular light showing my design, as viewed from the top and front. FIG. 2 is a top plan view thereof. FIG. 3 is a bottom plan view thereof. FIG. 4 is a front profile view thereof. FIG. 5 is a back profile view thereof. FIG. 6 is a first side profile view thereof; and, FIG. 7 is a second side profile view thereof. The details shown in broken lines illustrate features that form no part of the claimed design.

1 Claim, 2 Drawing Sheets



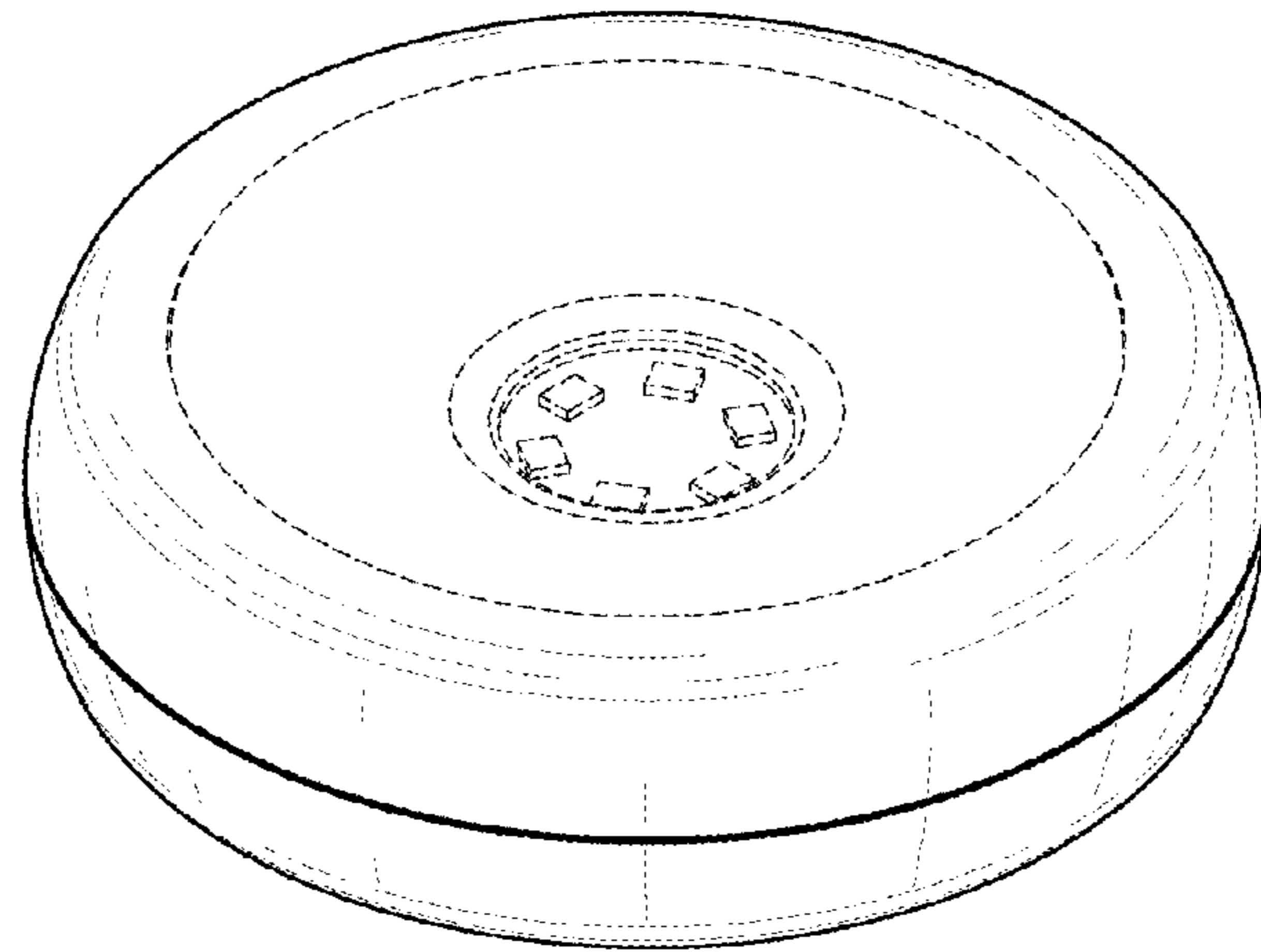


FIG. 1

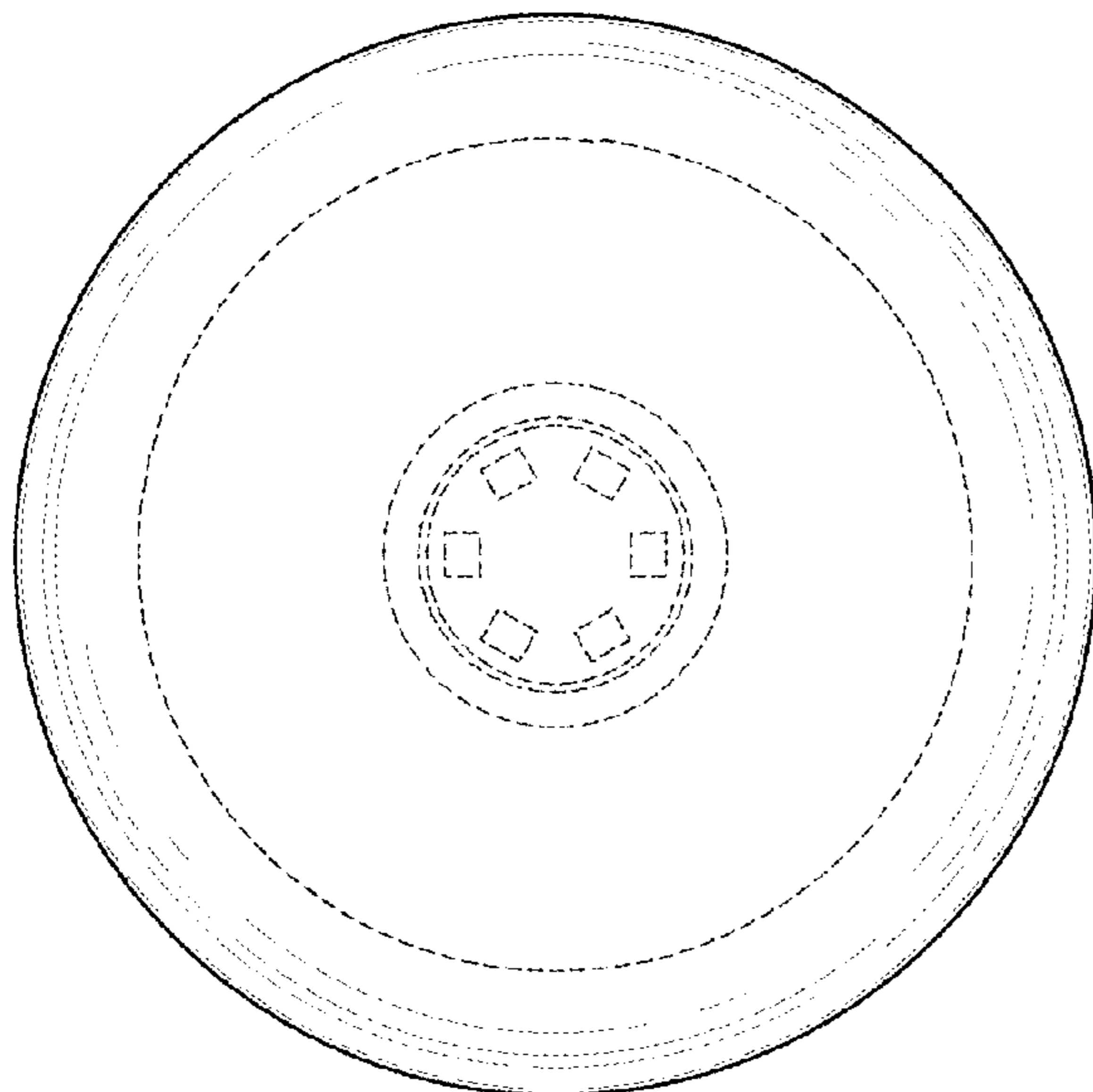


FIG. 2

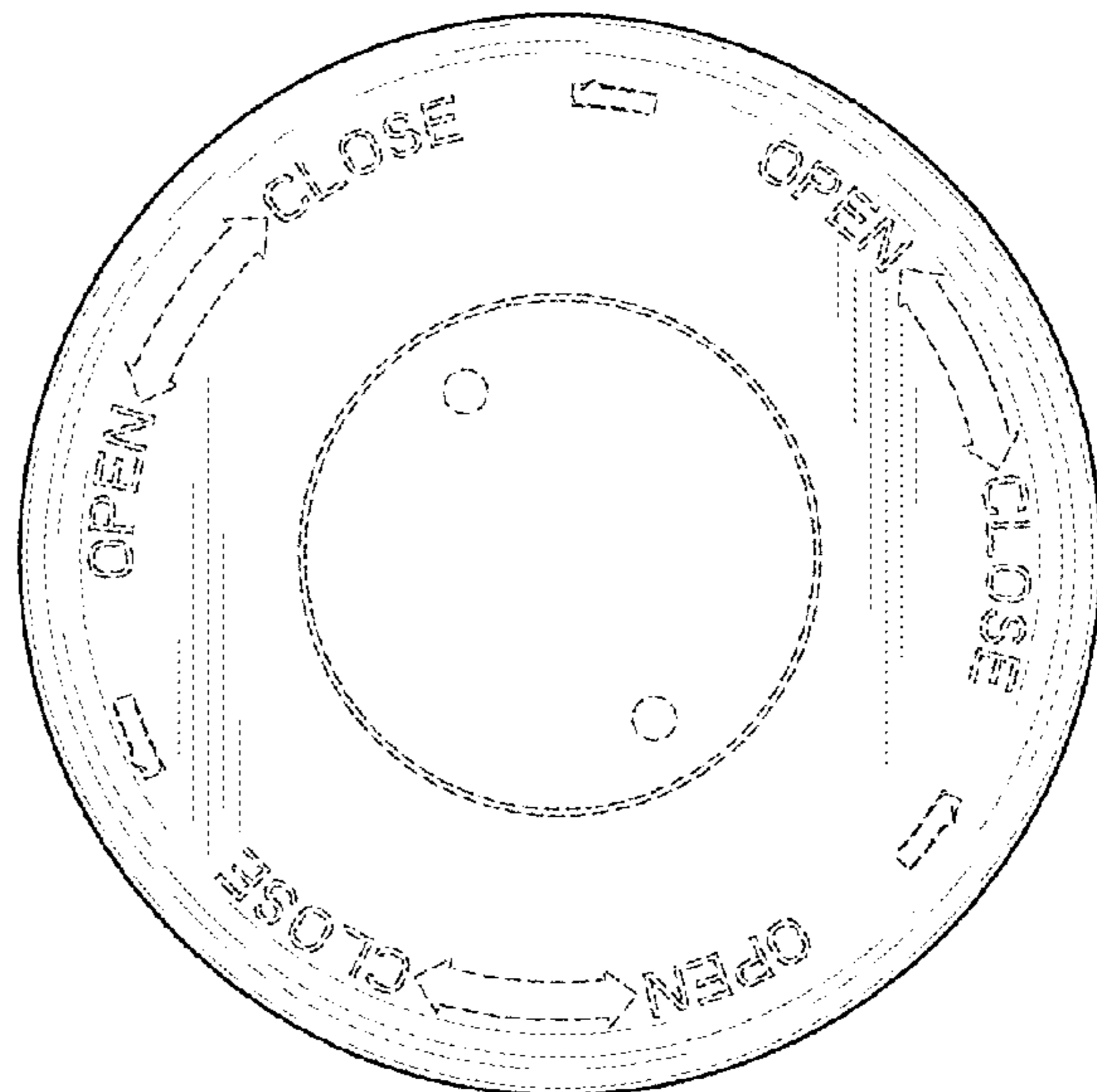


FIG. 3

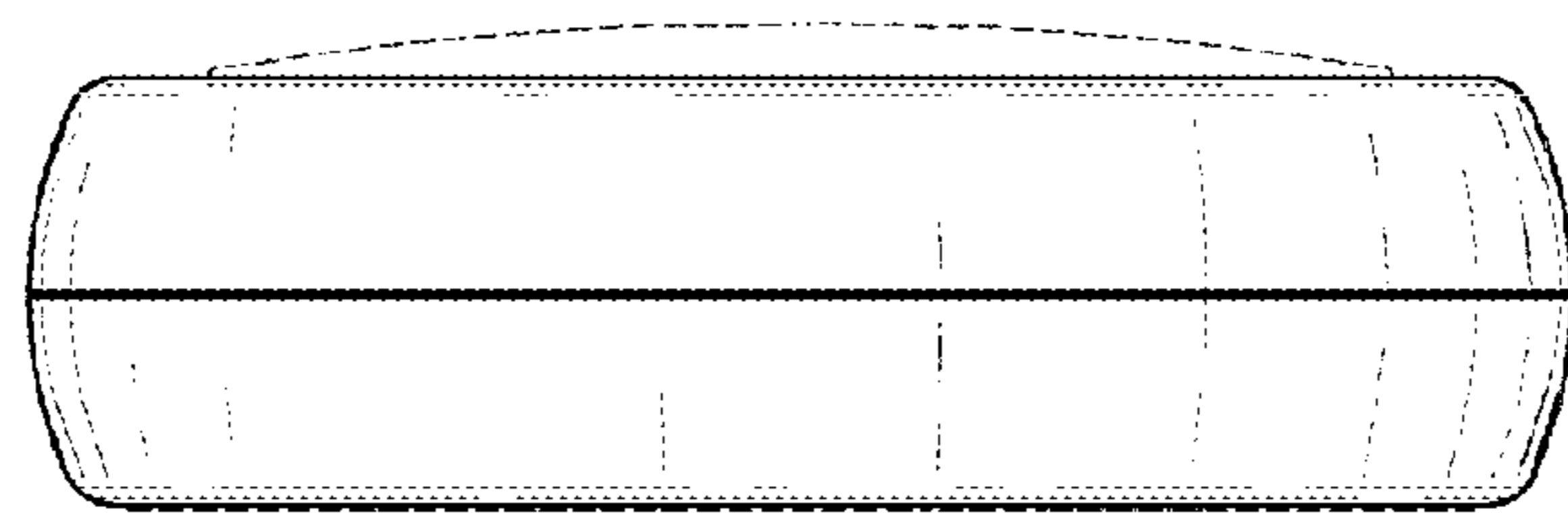


FIG. 4

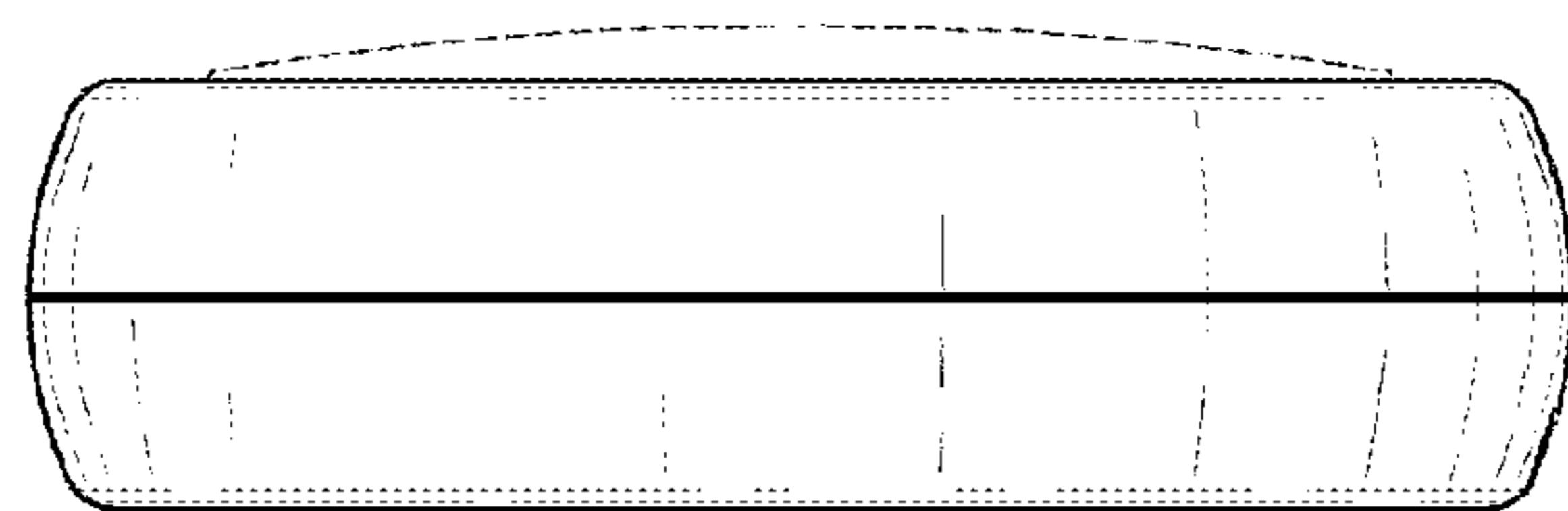


FIG. 5

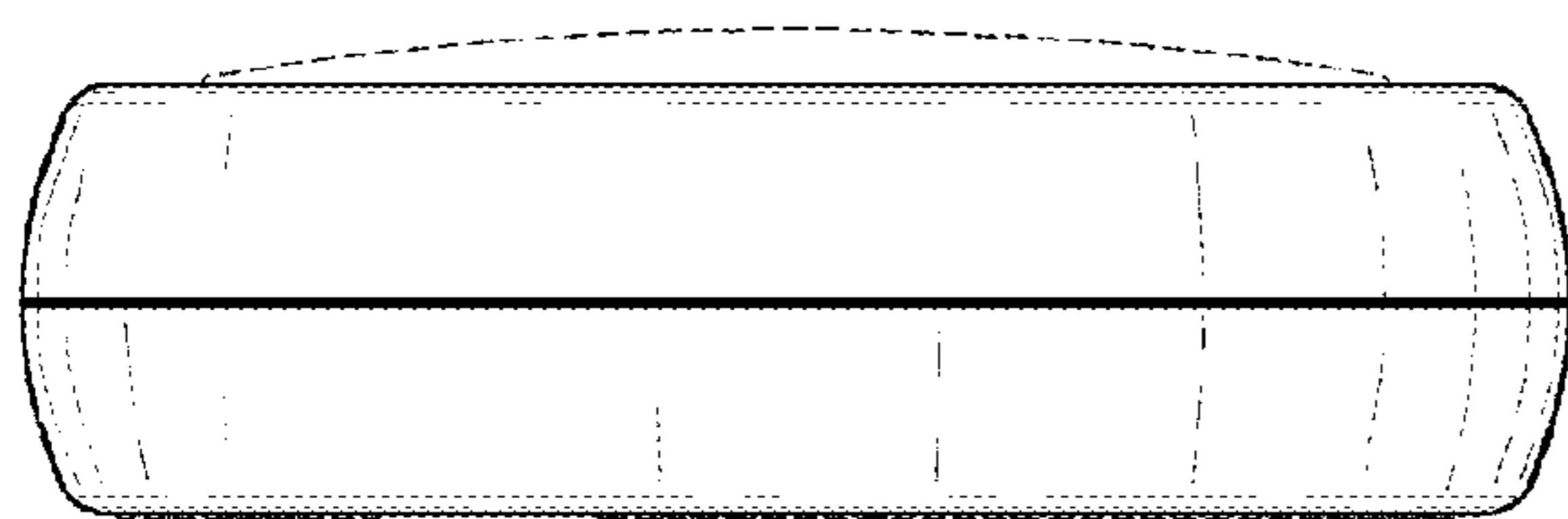


FIG. 6

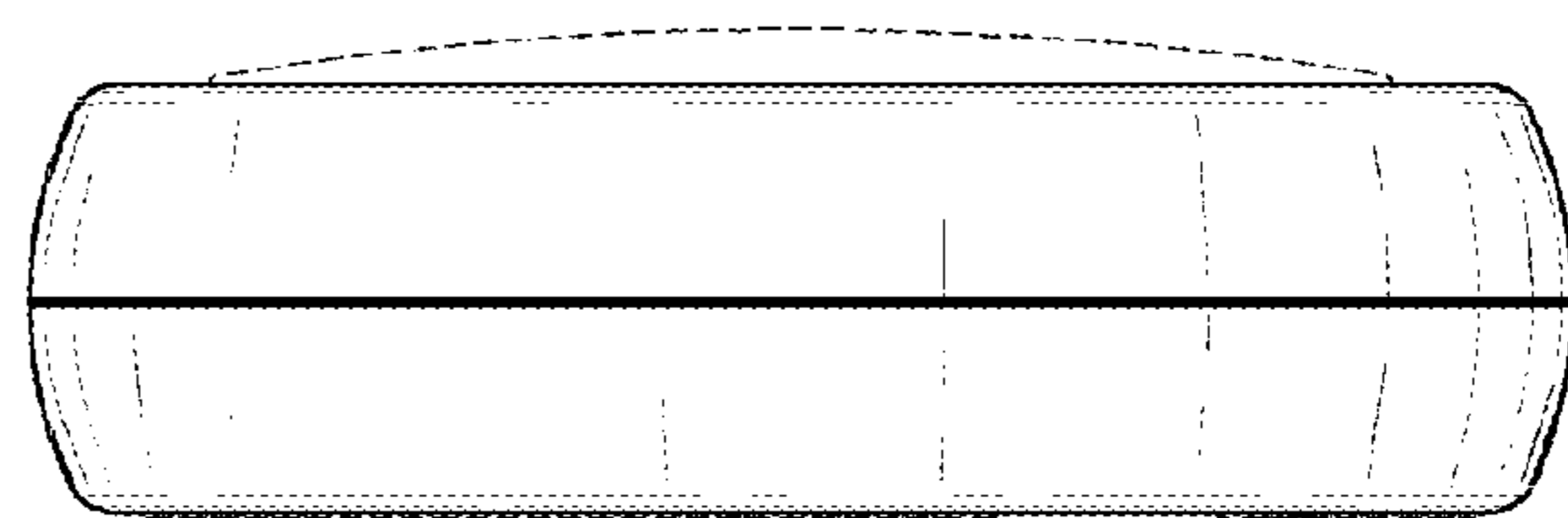


FIG. 7