



US00D903923S

(12) **United States Design Patent** (10) **Patent No.:** **US D903,923 S**
Chen (45) **Date of Patent:** **** Dec. 1, 2020**

(54) **LED Highbay Light Fixture**
(71) Applicant: **XIAMEN GUANGPU ELECTRONICS CO., LTD.**, Xiamen (CN)
(72) Inventor: **Jiannong Chen**, Xiamen (CN)
(**) Term: **15 Years**
(21) Appl. No.: **29/696,939**
(22) Filed: **Jul. 2, 2019**
(51) **LOC (12) Cl.** **26-05**
(52) **U.S. Cl.**
USPC **D26/72**
(58) **Field of Classification Search**
USPC D26/72, 88
CPC F21S 8/03; F21S 8/033; F21S 8/036; F21S 8/04; F21S 8/043; F21S 8/06; F21S 8/061; F21S 8/063; F21S 8/086; F21V 29/76; F21V 29/77; F21V 29/777; F21V 29/78
See application file for complete search history.

(56) **References Cited**
U.S. PATENT DOCUMENTS
D690,453 S * 9/2013 Guercio D26/88
D796,722 S * 9/2017 Zhu D26/72

D867,650 S * 11/2019 Cheng D26/113
D868,334 S * 11/2019 Li D26/72
D868,336 S * 11/2019 Li D26/72
D869,726 S * 12/2019 Deng D26/72
D881,438 S * 4/2020 Dahlen D26/72
D882,854 S * 4/2020 Yang D26/72
2013/0215605 A1* 8/2013 Wu F21S 8/061
362/184
2013/0308314 A1* 11/2013 Wung F21K 9/20
362/249.02
2019/0293267 A1* 9/2019 Marshal F21V 23/0471
2020/0200378 A1* 6/2020 Stokes F21V 29/745

* cited by examiner

Primary Examiner — Clare E Heflin
(74) *Attorney, Agent, or Firm* — W&K IP

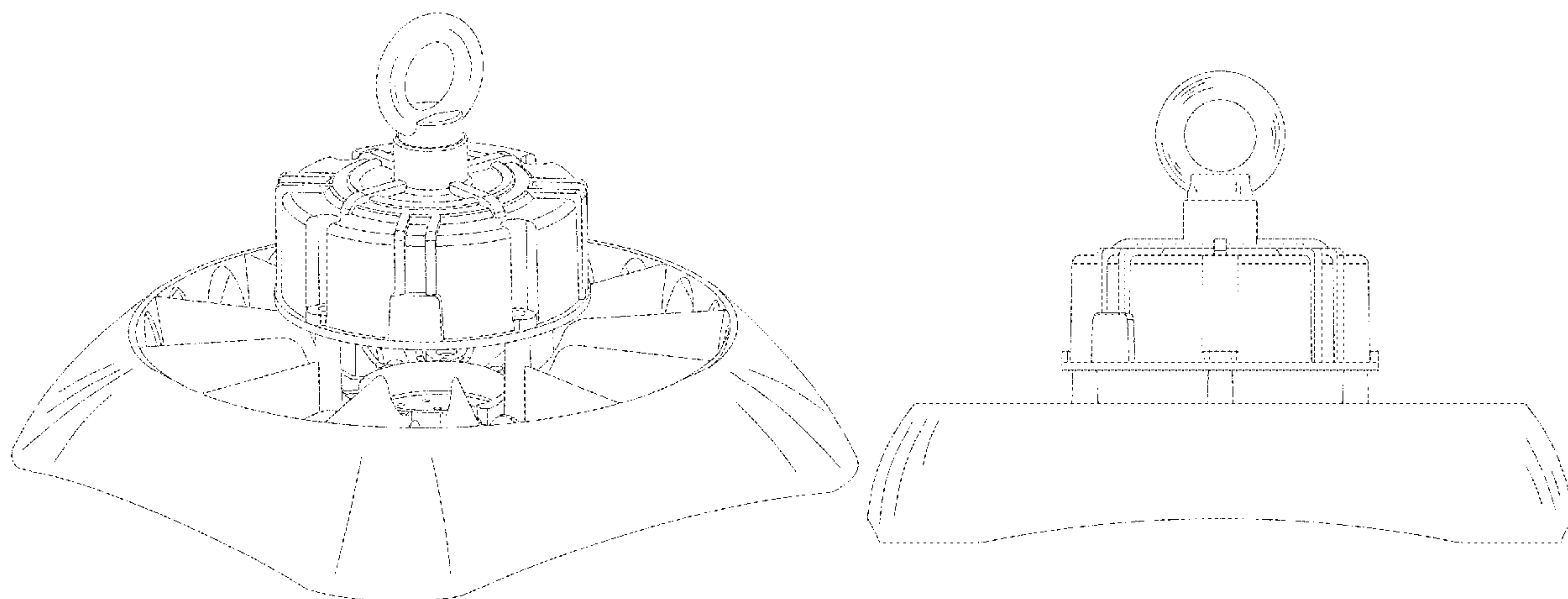
(57) **CLAIM**

The ornamental design for an LED highbay light fixture, as shown and described.

DESCRIPTION

FIG.1 is a perspective view of an LED highbay light fixture; FIG.2 is a front view thereof; FIG.3 is a left side view thereof; FIG.4 is a top plan view thereof; and, FIG.5 is a bottom plan view thereof.

1 Claim, 5 Drawing Sheets



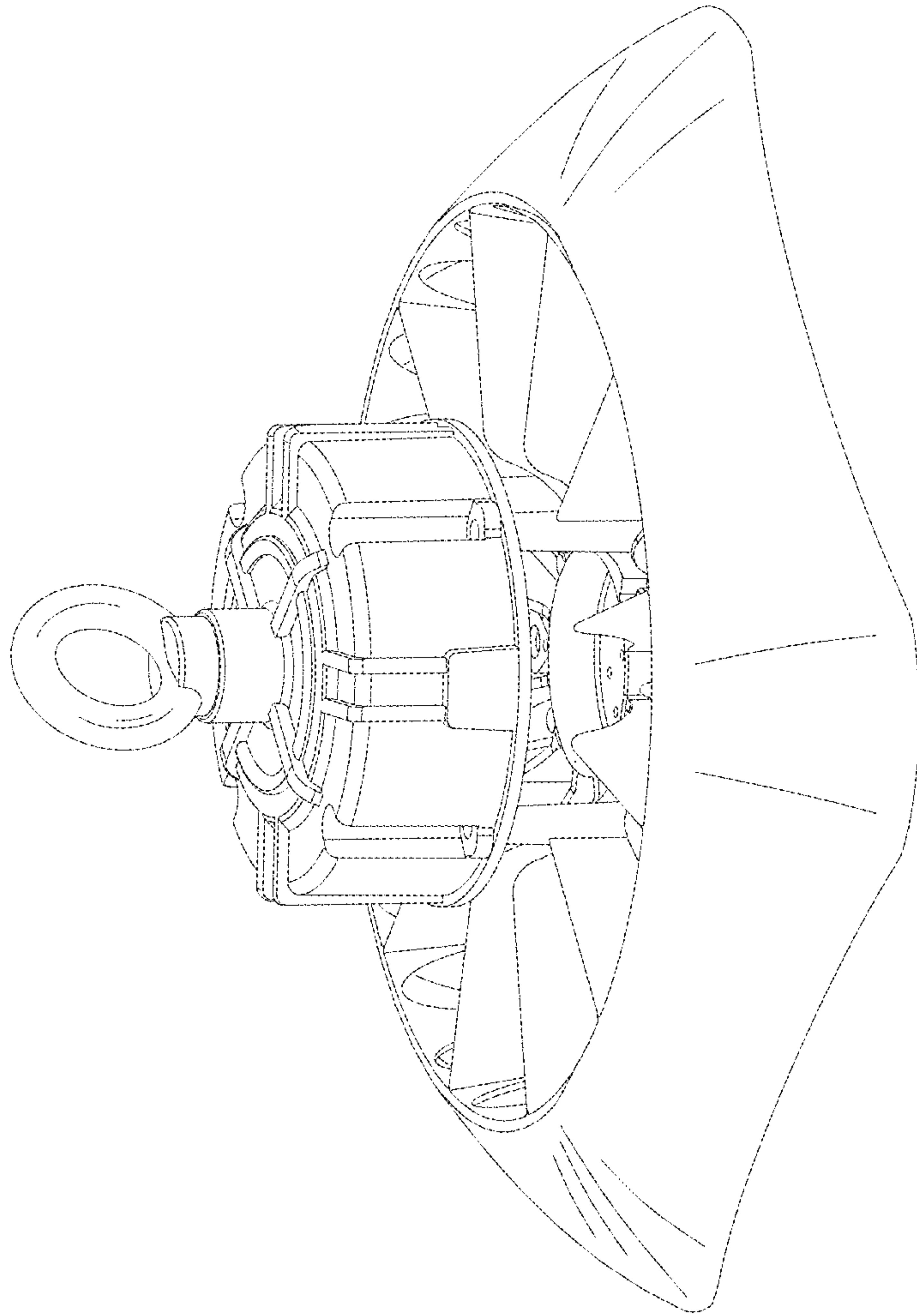


FIG.1

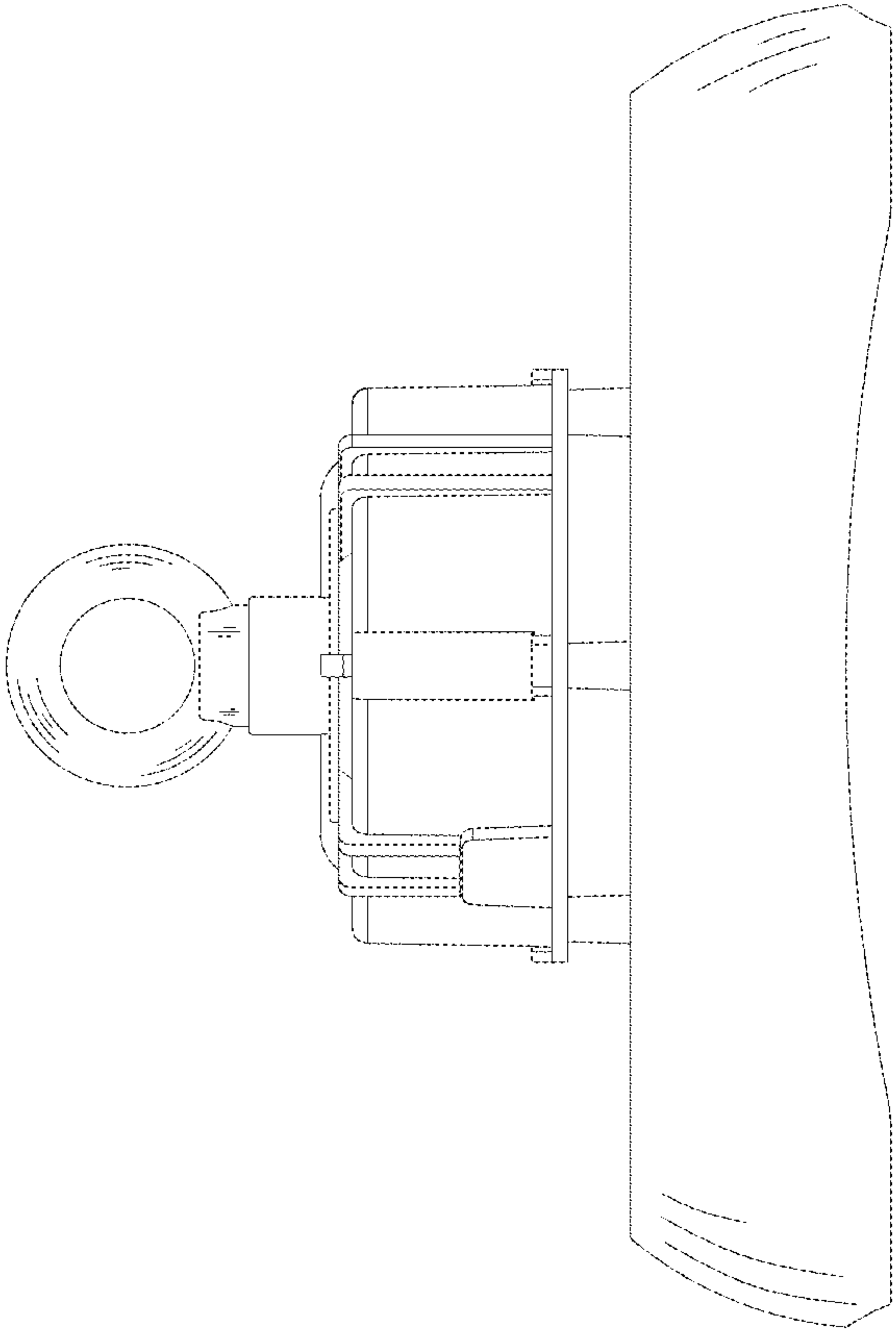


FIG.2

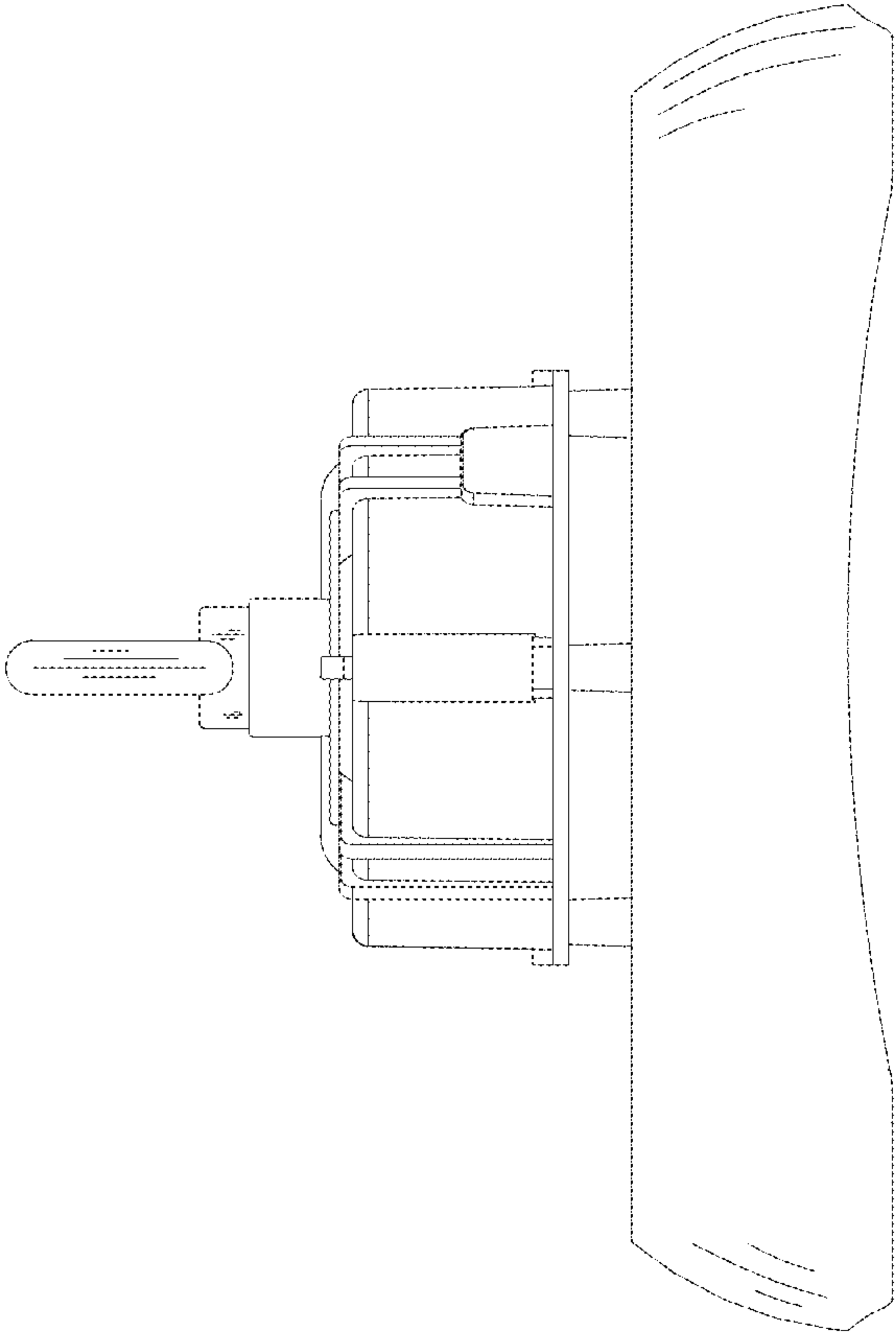


FIG. 3

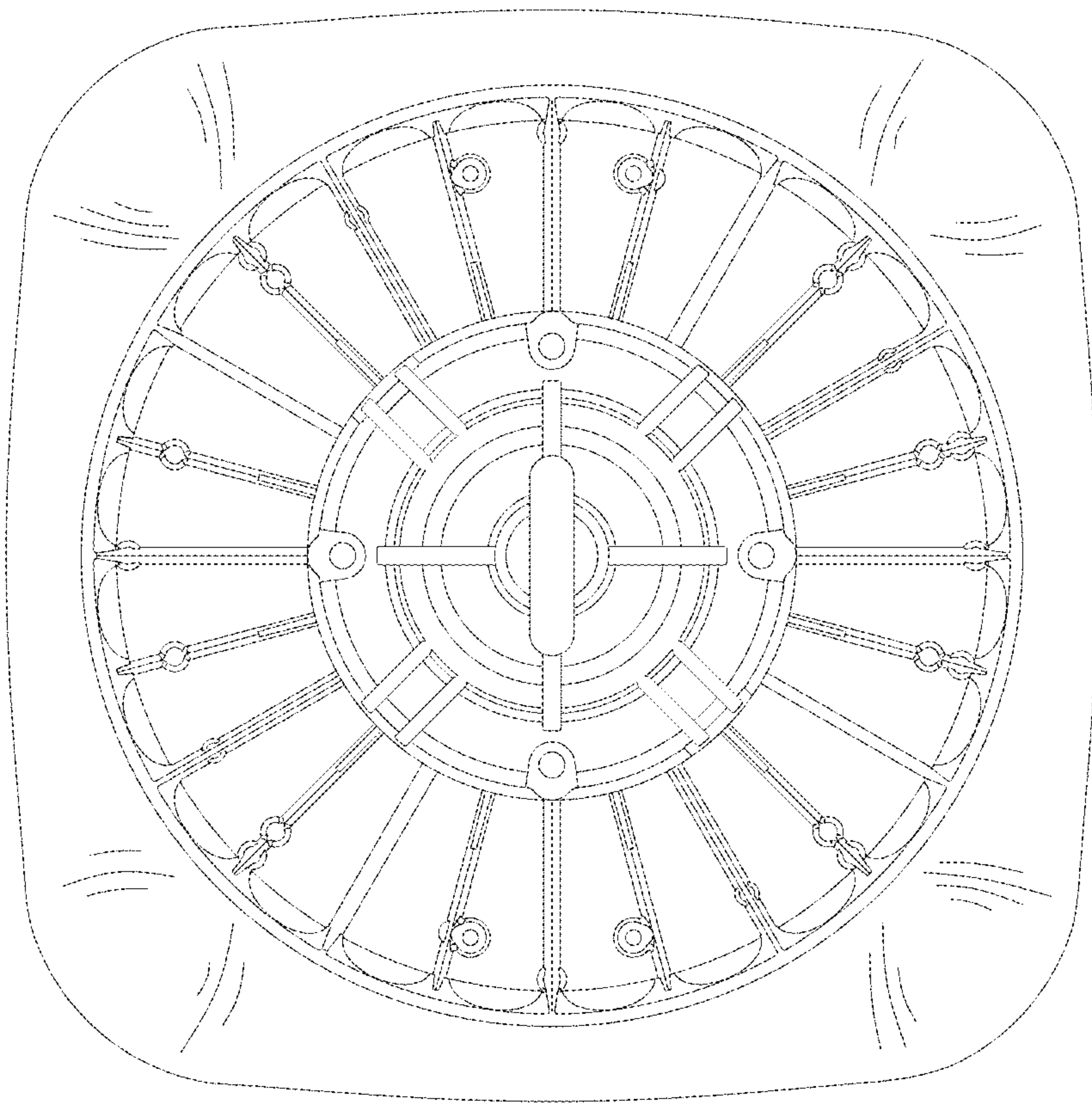


FIG.4

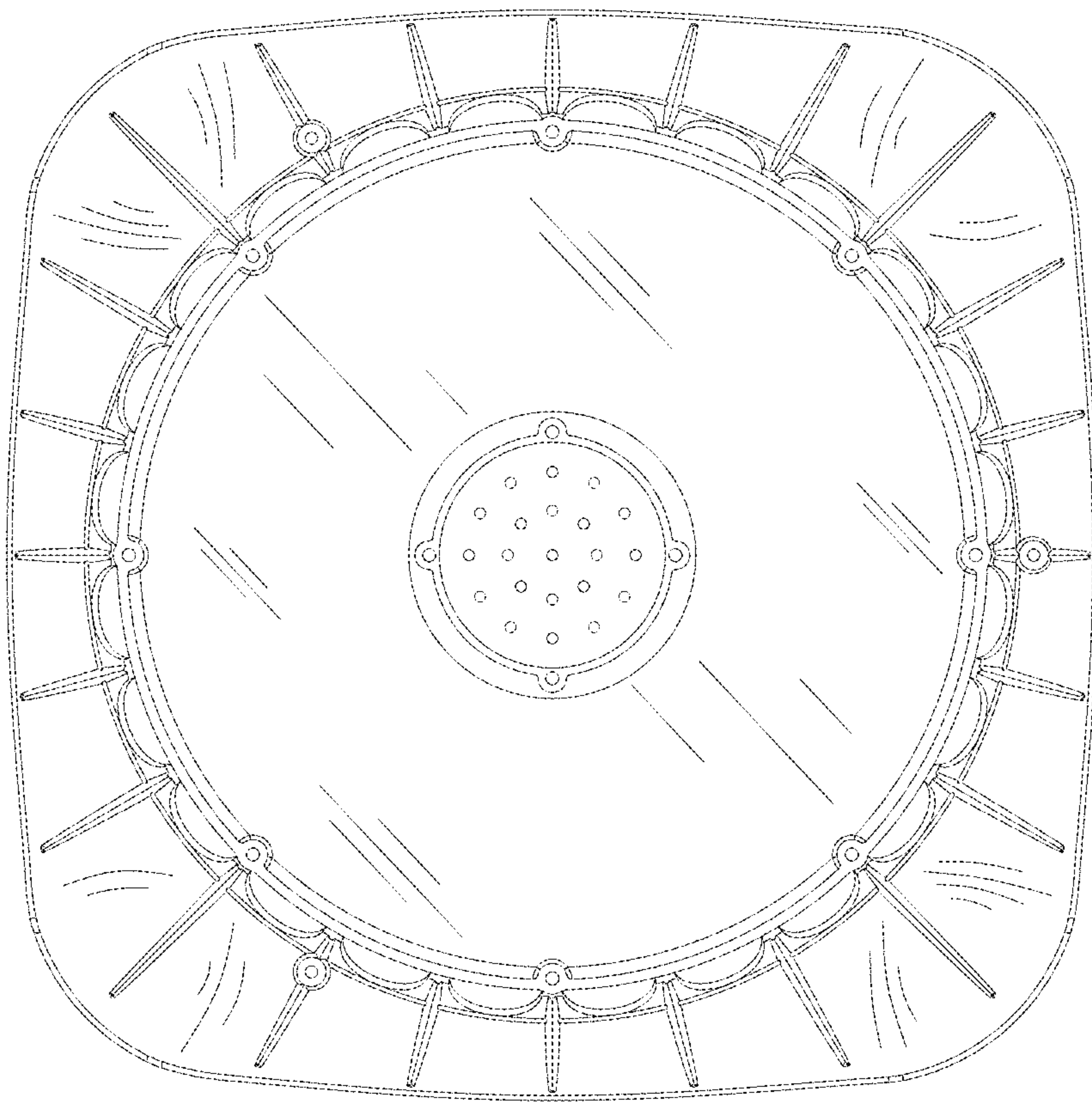


FIG. 5