



US00D903922S

(12) **United States Design Patent**
Arsenault et al.

(10) **Patent No.:** **US D903,922 S**
(45) **Date of Patent:** **** Dec. 1, 2020**

(54) **LIGHT-EMITTING DIODE (LED) LIGHT FIXTURE**

(71) Applicant: **Lumenpulse Group Inc.**, Longueuil (CA)

(72) Inventors: **Charles Arsenault**, Montreal (CA);
Cynthia Gauthier, Montreal (CA);
Charles-Antoine Poirier, Longueuil (CA)

(73) Assignee: **LUMENPULSE GROUP INC.**, Quebec (CA)

(**) Term: **15 Years**

(21) Appl. No.: **29/679,709**

(22) Filed: **Feb. 8, 2019**

(51) **LOC (12) Cl.** **26-05**

(52) **U.S. Cl.**
USPC **D26/71; D26/118**

(58) **Field of Classification Search**
USPC D26/24, 63, 71, 72, 74, 75-78, 80-92,
D26/118, 120, 122, 142, 149; D13/134;
D10/111-115

(Continued)

(56) **References Cited**

U.S. PATENT DOCUMENTS

D169,972 S * 7/1953 Glatthar D26/89
D237,402 S * 10/1975 Leung D26/85
(Continued)

OTHER PUBLICATIONS

Lumenicon Area Medium (availalbe online) Retrieved from the internet 9/8/20 from Url: <https://www.lumenpulse.com/products/2010/lumenicon-area-medium>.*

Primary Examiner — Kevin K Rudzinski

Assistant Examiner — Richard Kearney

(74) *Attorney, Agent, or Firm* — Burns & Levinson, LLP;
Joseph M. Maraia; Steven M. Mills

(57) **CLAIM**

The ornamental design for a light emitting diode (LED) light fixture, as shown and described.

DESCRIPTION

FIG. 1 includes a first schematic bottom-side perspective view of a light-emitting diode (LED) light fixture with a transparent lens according to a first embodiment.

FIG. 2 includes a second schematic bottom-side perspective view of the LED light fixture of FIG. 1 with the transparent bottom lens.

FIG. 3 includes a first schematic top-side perspective view of the LED light fixture of FIG. 1.

FIG. 4 includes a second schematic top-side perspective view of the LED light fixture of FIG. 1.

FIG. 5 includes a schematic left side view of the LED light fixture of FIG. 1.

FIG. 6 includes a schematic bottom view of the LED light fixture of FIG. 1 with a transparent bottom lens.

FIG. 7 includes a schematic top view of the LED light fixture of FIG. 1.

FIG. 8 includes a schematic right side view of the LED light fixture of FIG. 1.

FIG. 9 includes a schematic rear view of the LED light fixture of FIG. 1.

FIG. 10 includes a schematic front view of the LED light fixture of FIG. 1.

FIG. 11 includes a third schematic bottom-side perspective view of the LED light fixture of FIG. 1 with the bottom lens removed.

FIG. 12 includes a first schematic bottom-side perspective view of an LED light fixture with a translucent lens according to a second embodiment.

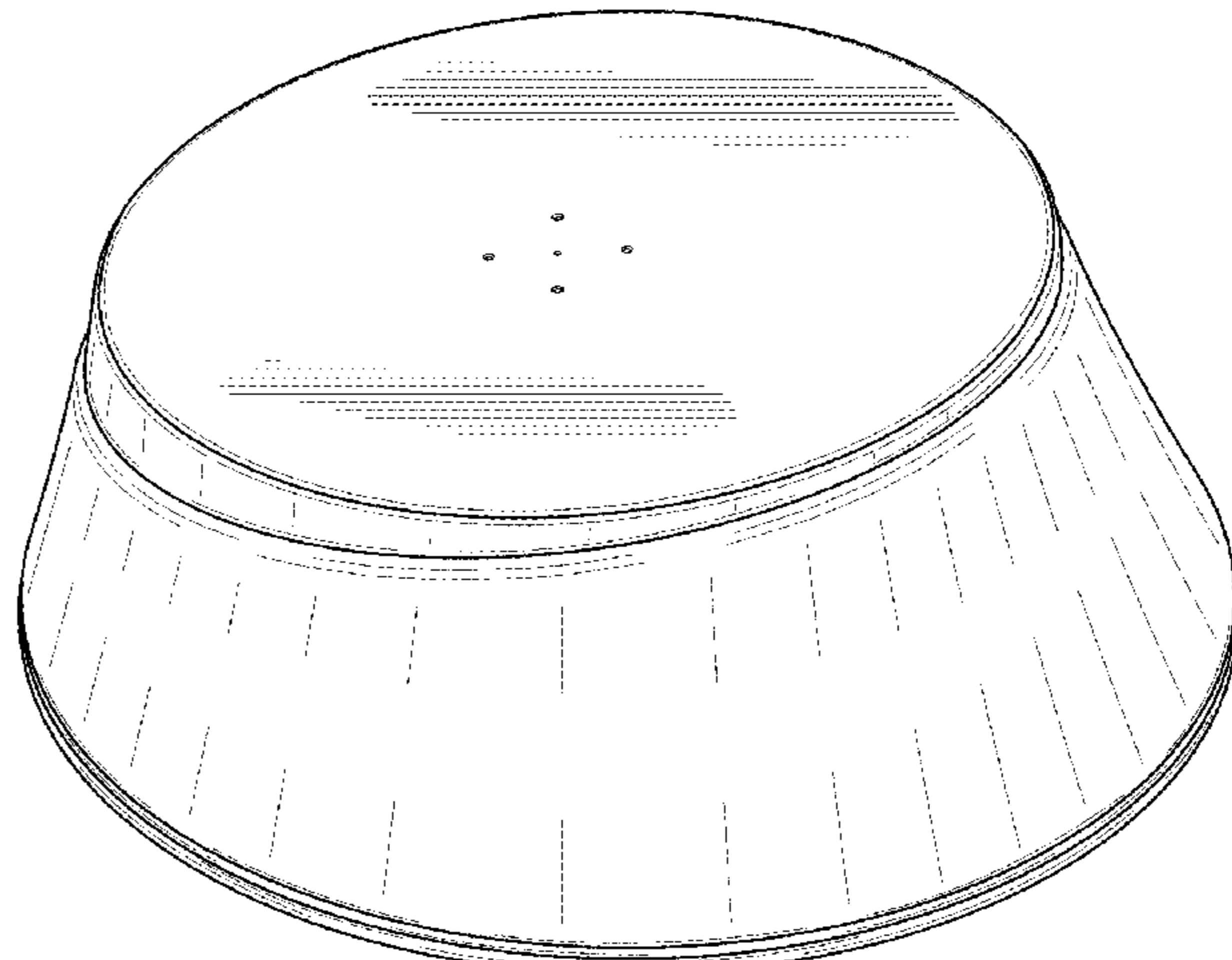
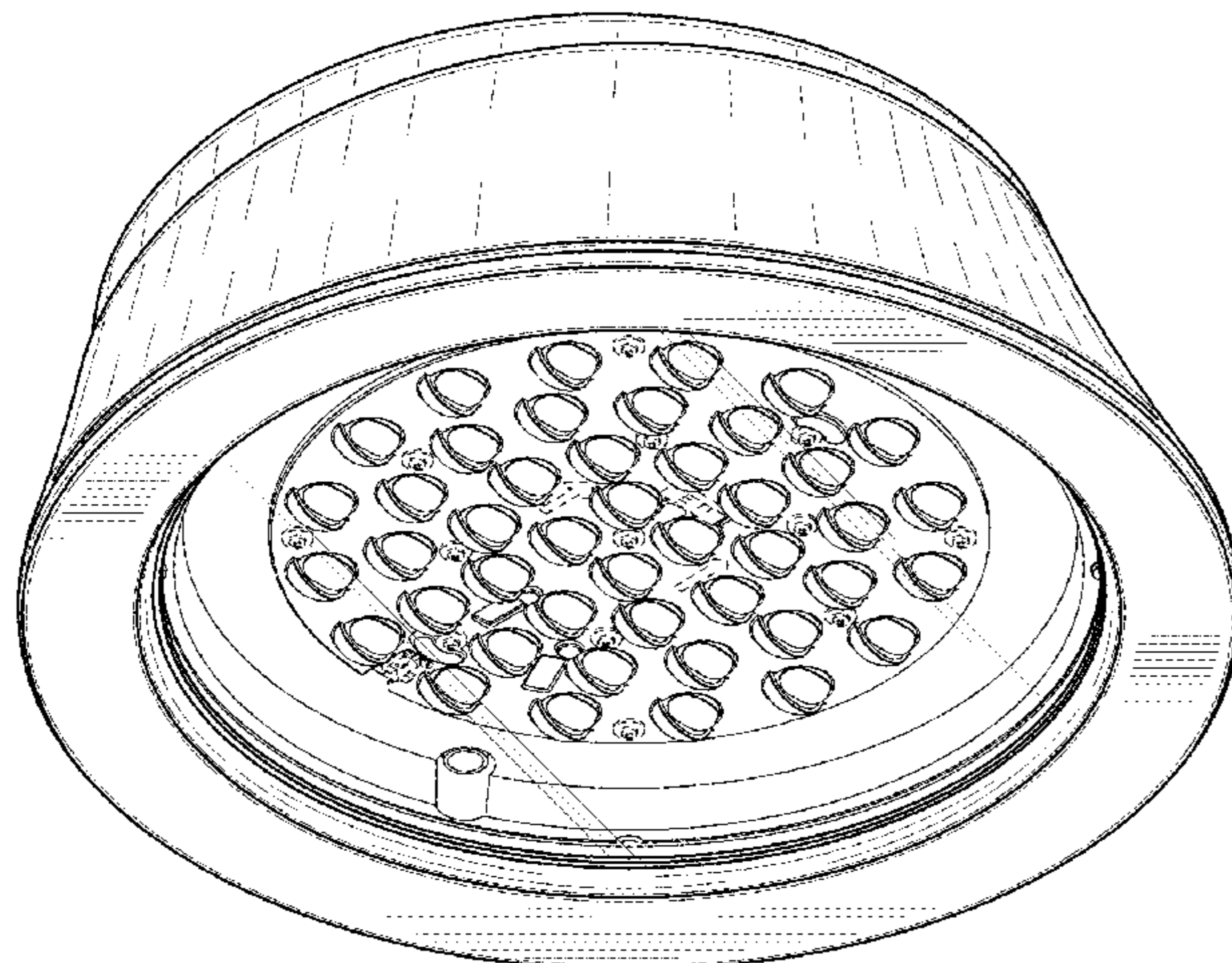
FIG. 13 includes a second schematic bottom-side perspective view of the LED light fixture of FIG. 12 with the translucent bottom lens.

FIG. 14 includes a schematic bottom view of the LED light fixture of FIG. 12 with the translucent bottom lens; and,

FIG. 15 includes a schematic exploded view of the LED light fixture of FIG. 12 with the translucent bottom lens.

The broken lines shown in the drawings illustrate portions of the LED light fixture and form no part of the claimed design.

1 Claim, 9 Drawing Sheets



(58) **Field of Classification Search**

CPC F21V 23/003; F21V 23/023; F21V 29/71;
F21V 29/713; F21V 29/717; F21V 29/73;
F21V 29/74; F21V 29/745; F21V 29/75;
F21V 29/76; F21V 5/00; F21V 1/02;
F21V 15/01; F21Y 2115/10; F21S 8/02;
F21S 8/04; F21S 8/026; F21S 8/036;
F21S 8/085; F21S 8/086; F21S 9/03;
F21S 9/037

See application file for complete search history.

(56) **References Cited**

U.S. PATENT DOCUMENTS

D455,166 S * 4/2002 Raad D10/104.1
D496,751 S * 9/2004 Lin D26/85
D591,888 S * 5/2009 Gill D26/71
D591,891 S * 5/2009 Gill D26/71
D640,976 S * 7/2011 Matsuoka D13/108
D652,565 S * 1/2012 McKenna D26/118
D662,939 S * 7/2012 Akana D14/447
D663,064 S * 7/2012 Couvreur D26/72
D663,465 S * 7/2012 Couvreur D26/72
D703,237 S * 4/2014 Choi D14/502
D723,210 S * 2/2015 Highbridge D26/89
D725,285 S * 3/2015 Wohlstadter D24/216
D726,156 S * 4/2015 Gillespie-Brown D14/216
D727,877 S * 4/2015 Seoc D14/216
D743,954 S * 11/2015 Chuang D14/240
D786,200 S * 5/2017 Lagerstedt D13/168
D800,370 S * 10/2017 Sonneman D26/89
D832,306 S * 10/2018 Liao D14/496
D864,453 S * 10/2019 Van Roosmalen D26/71
D869,463 S * 12/2019 Gagne-Keats D14/358

* cited by examiner

FIG. 1

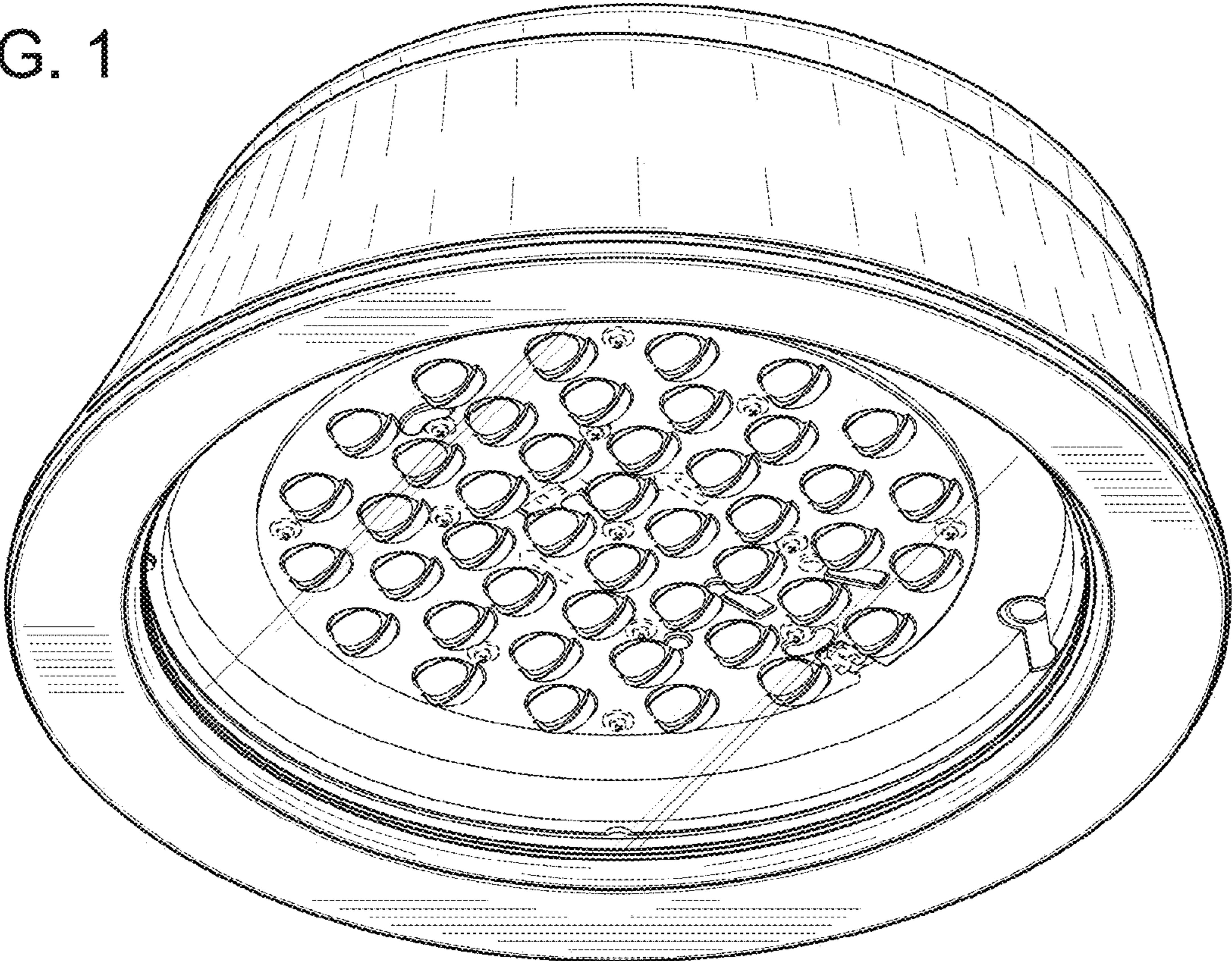


FIG. 2

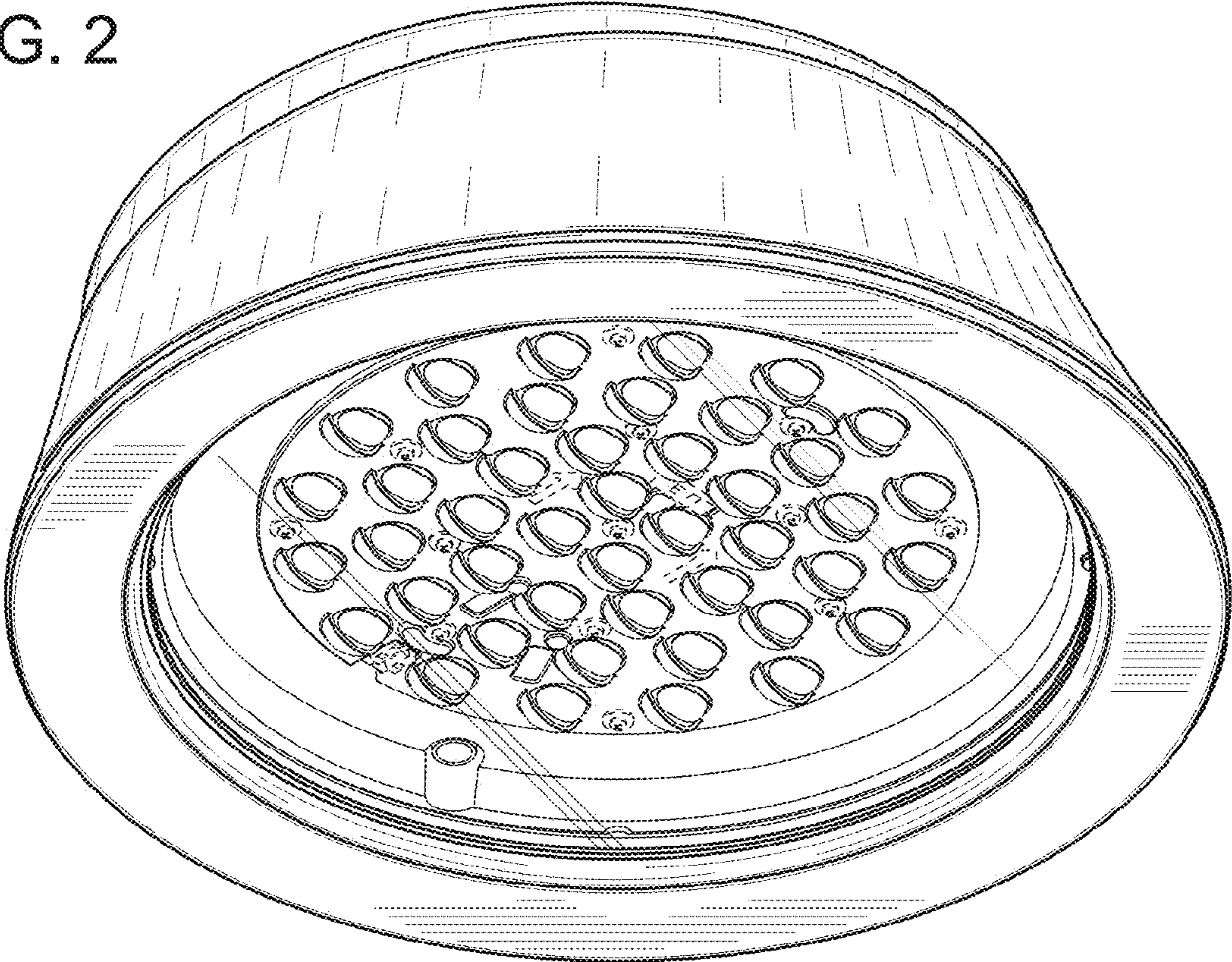


FIG. 3

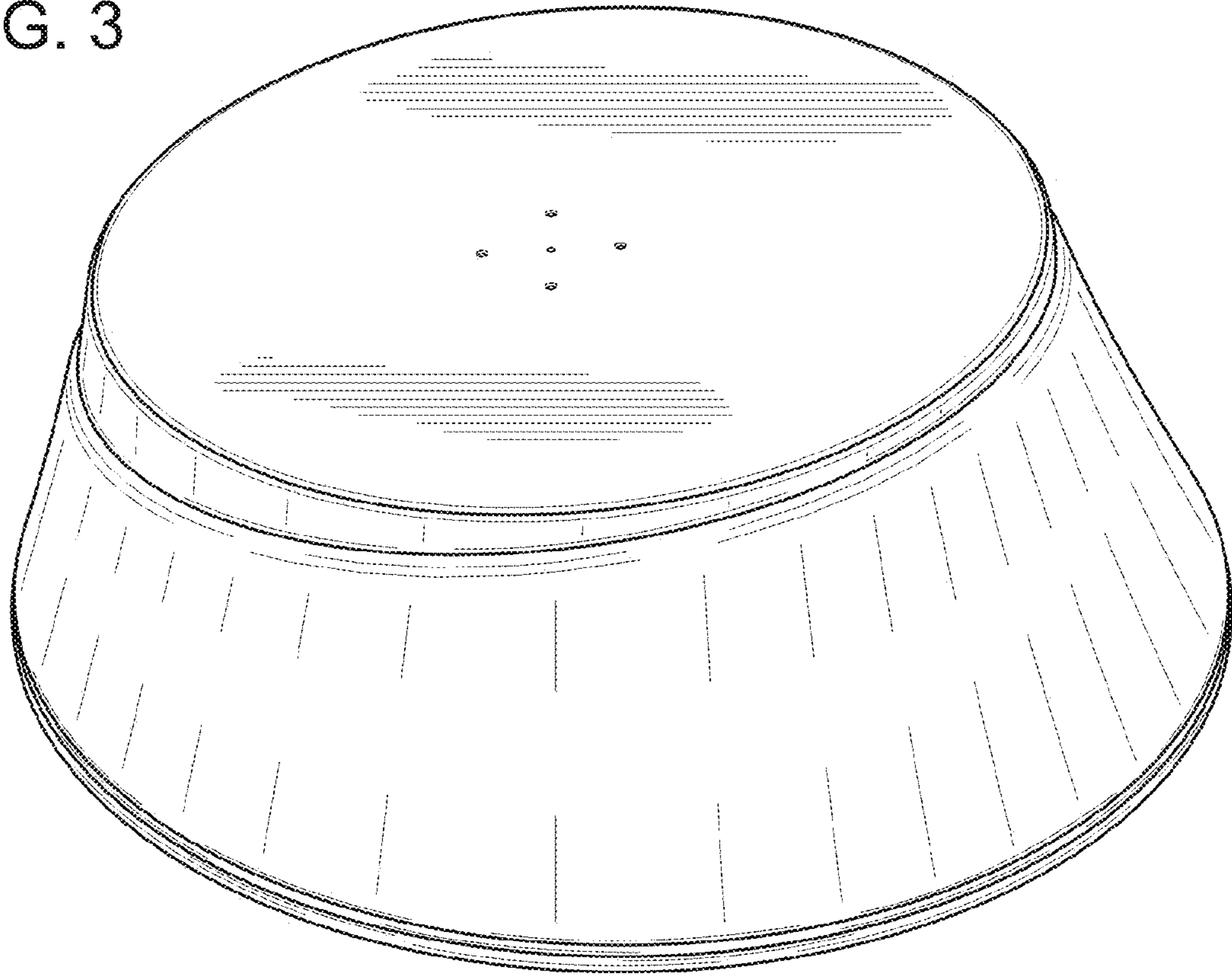
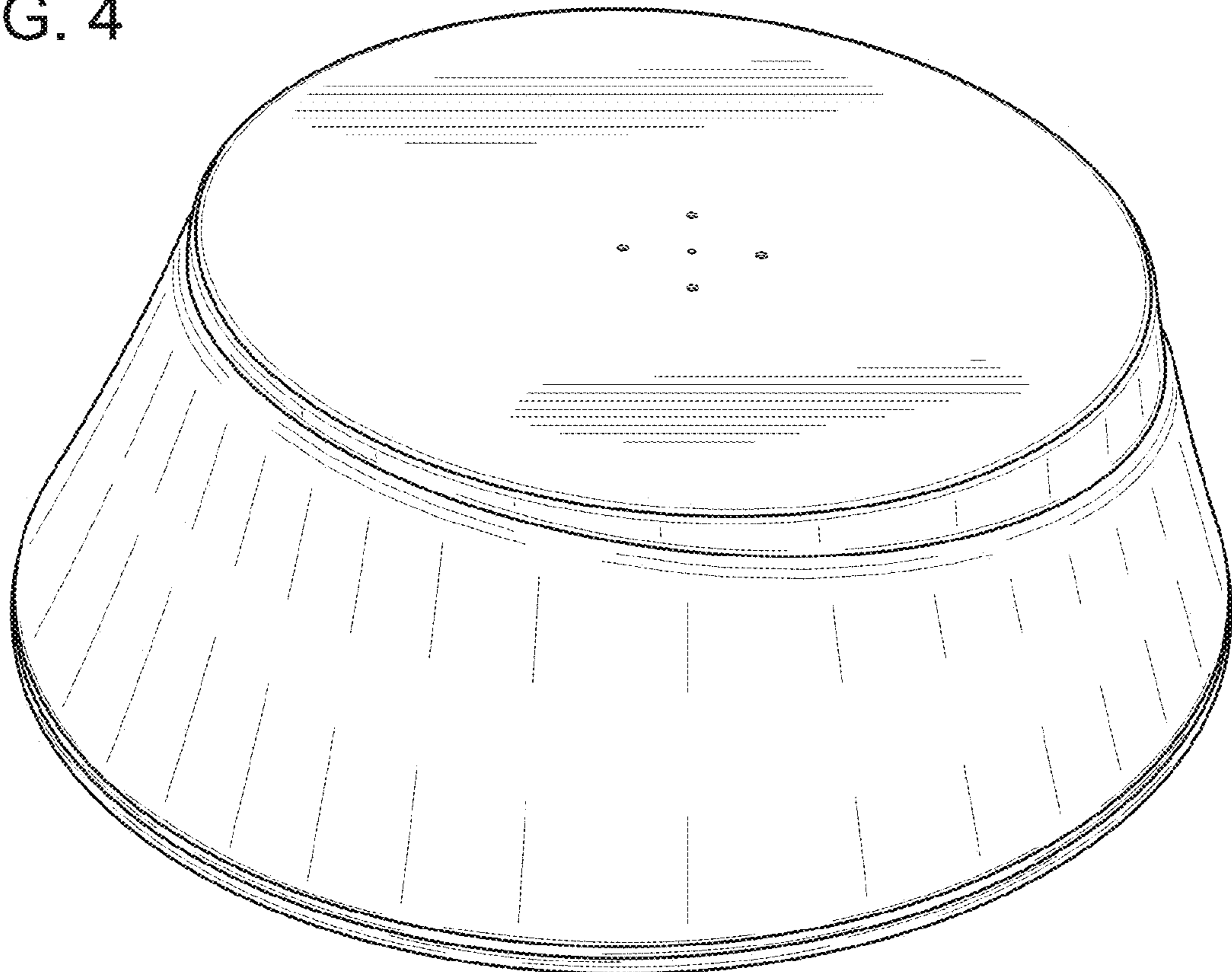


FIG. 4



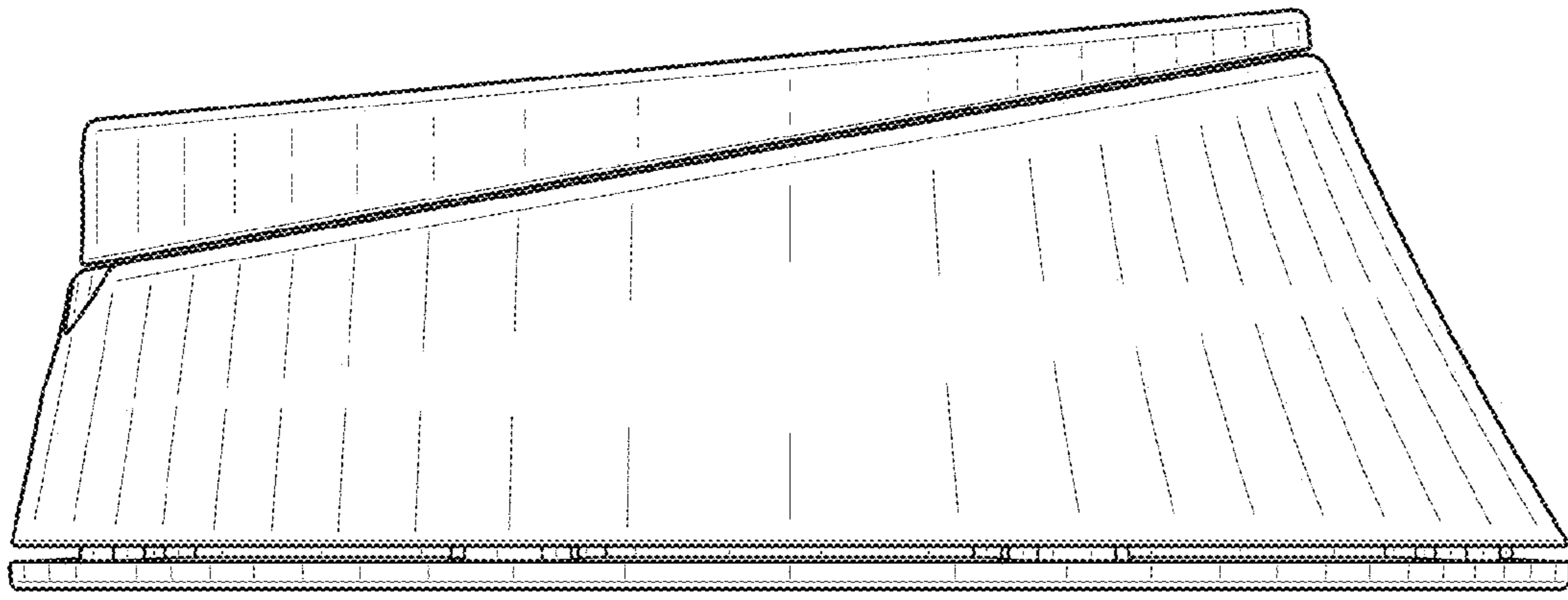


FIG. 5

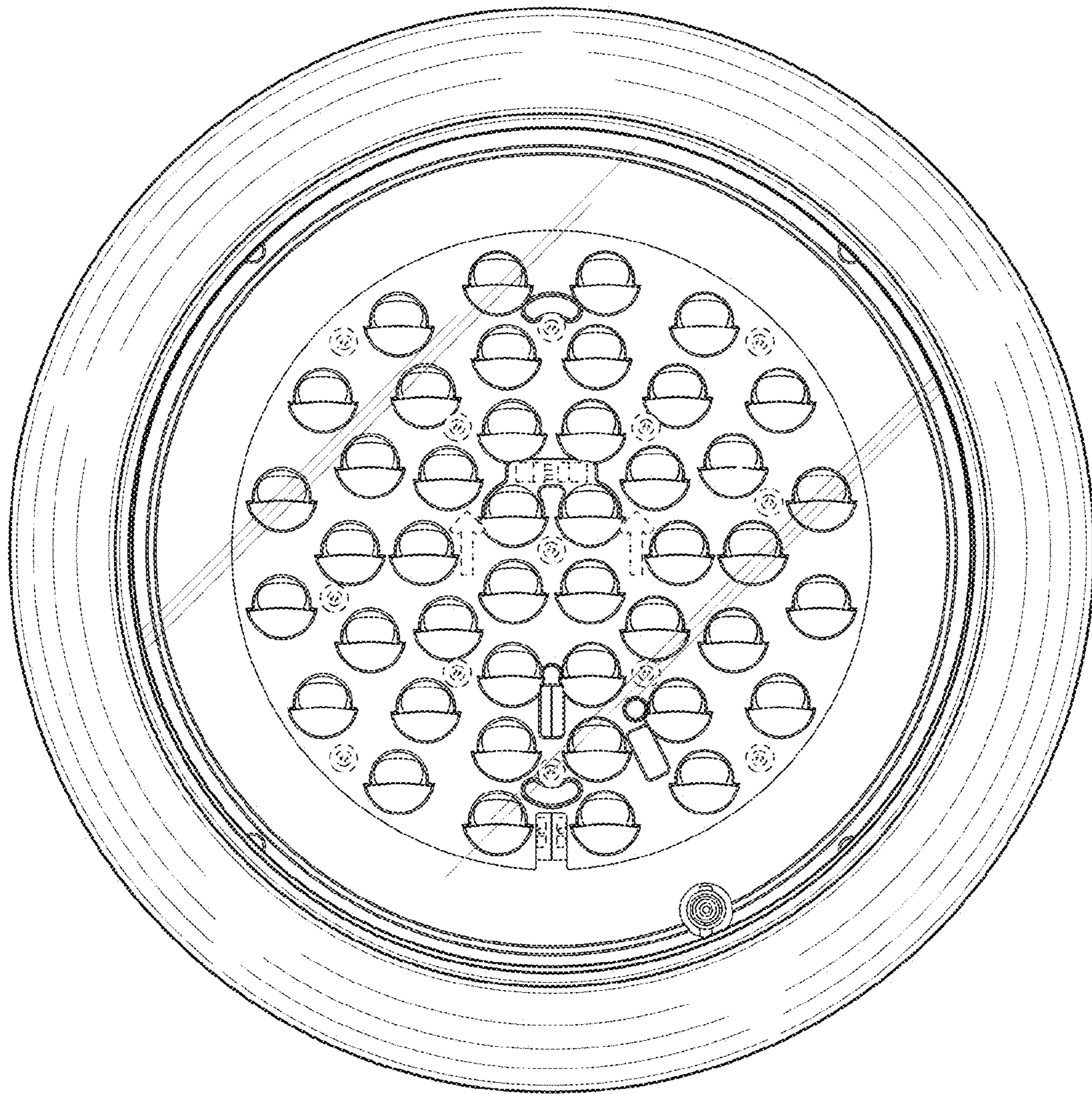


FIG. 6

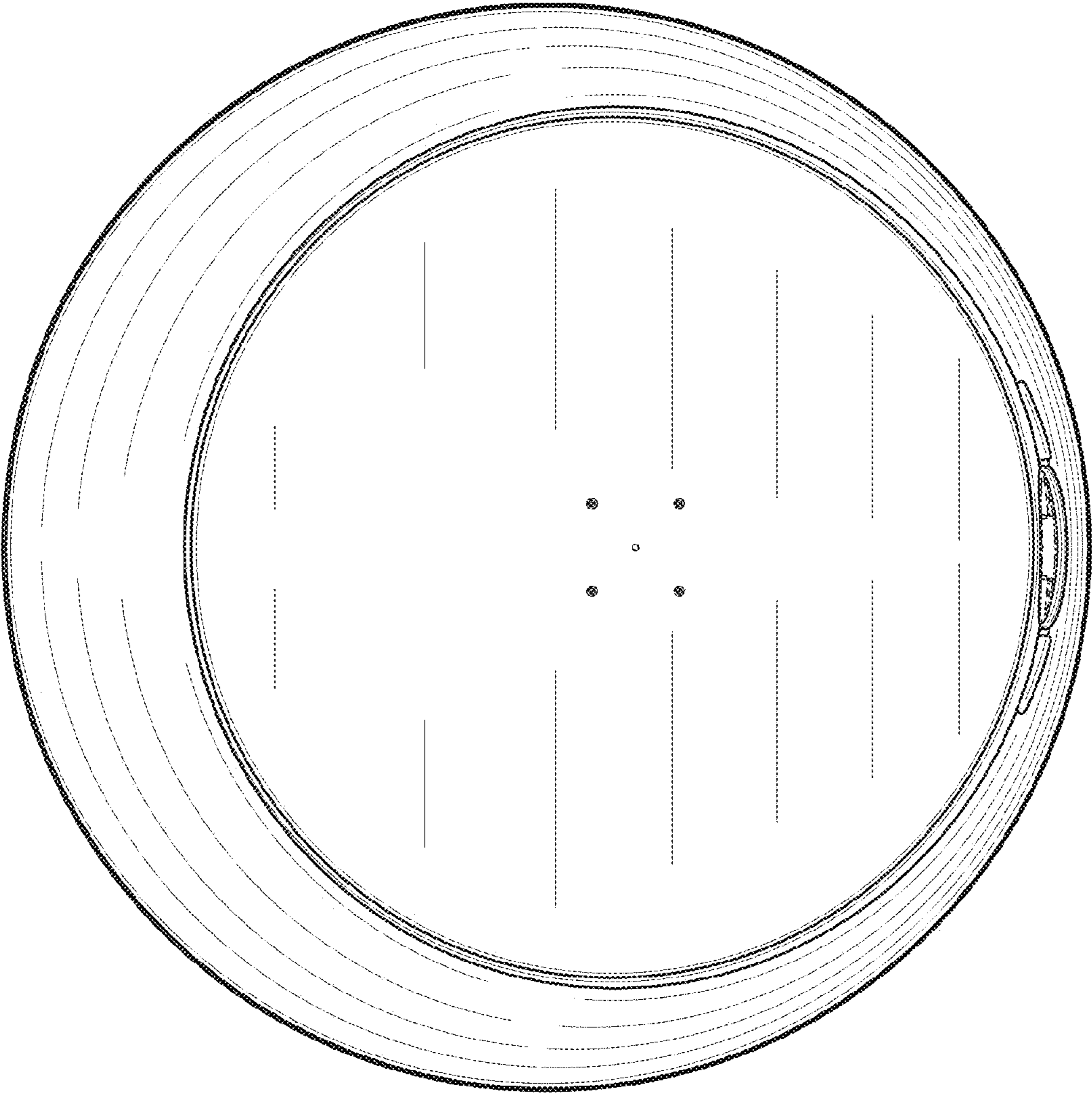


FIG. 7

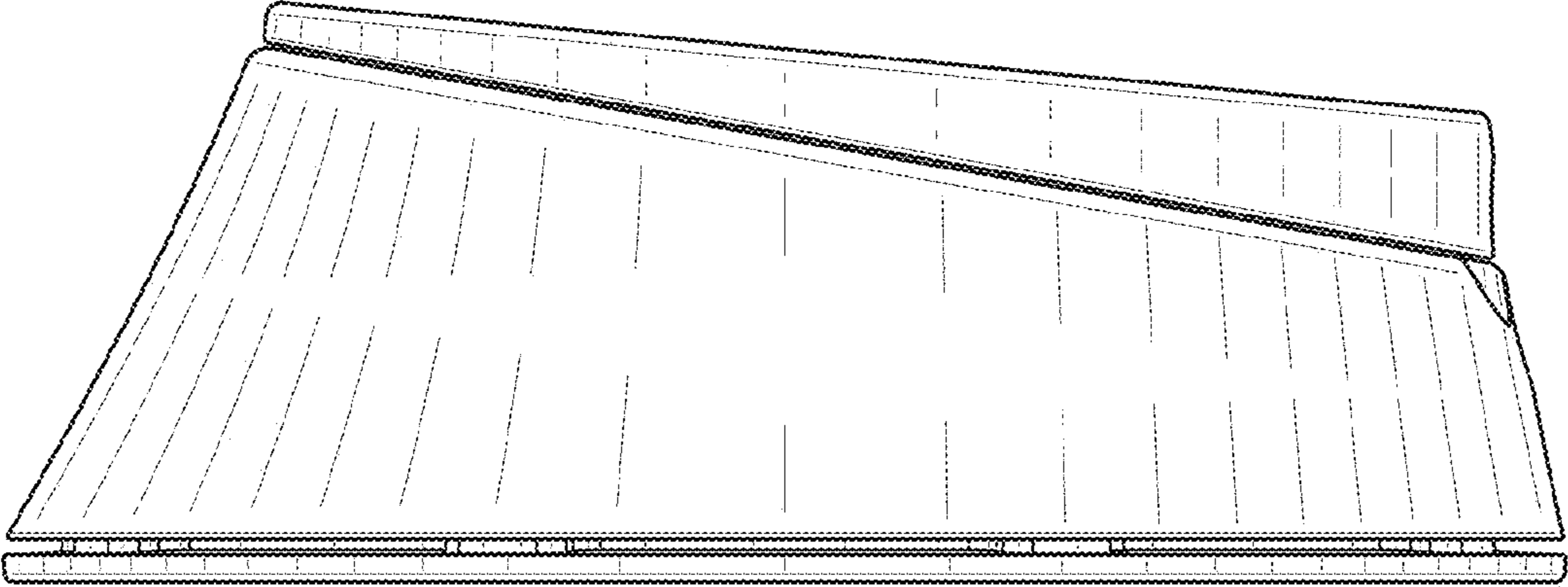


FIG. 8

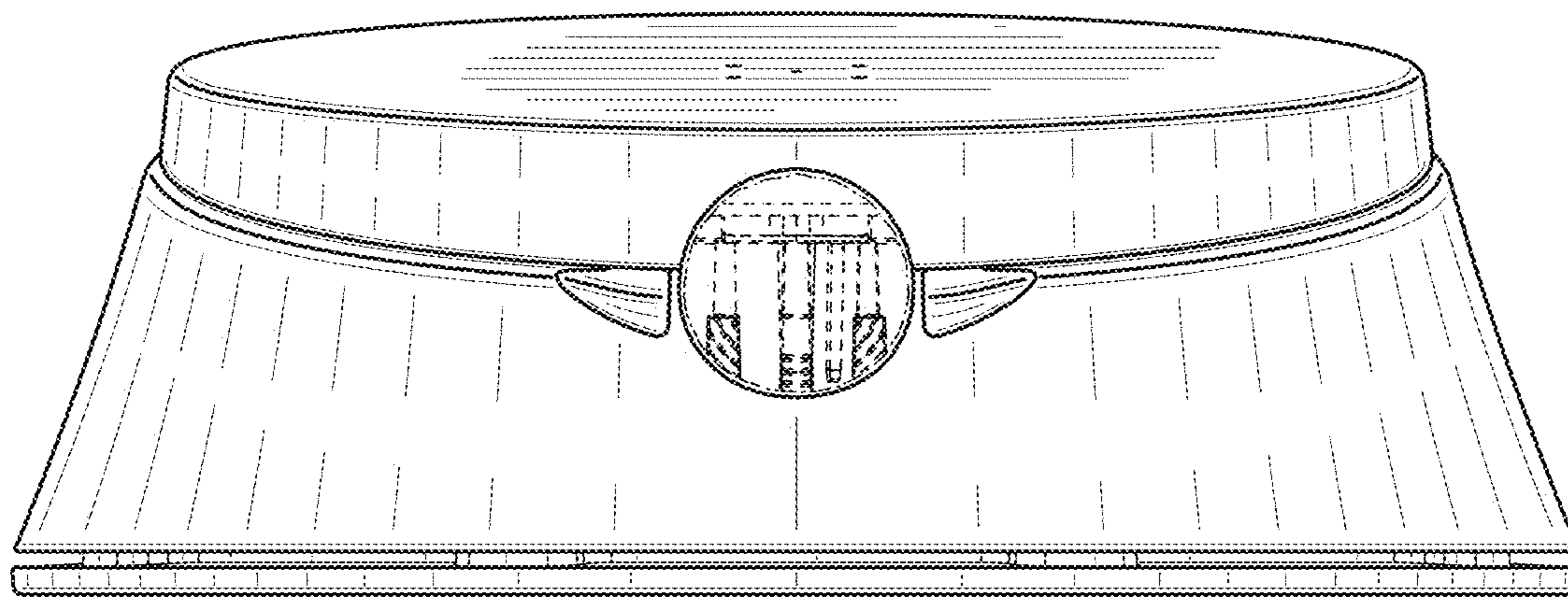


FIG. 9

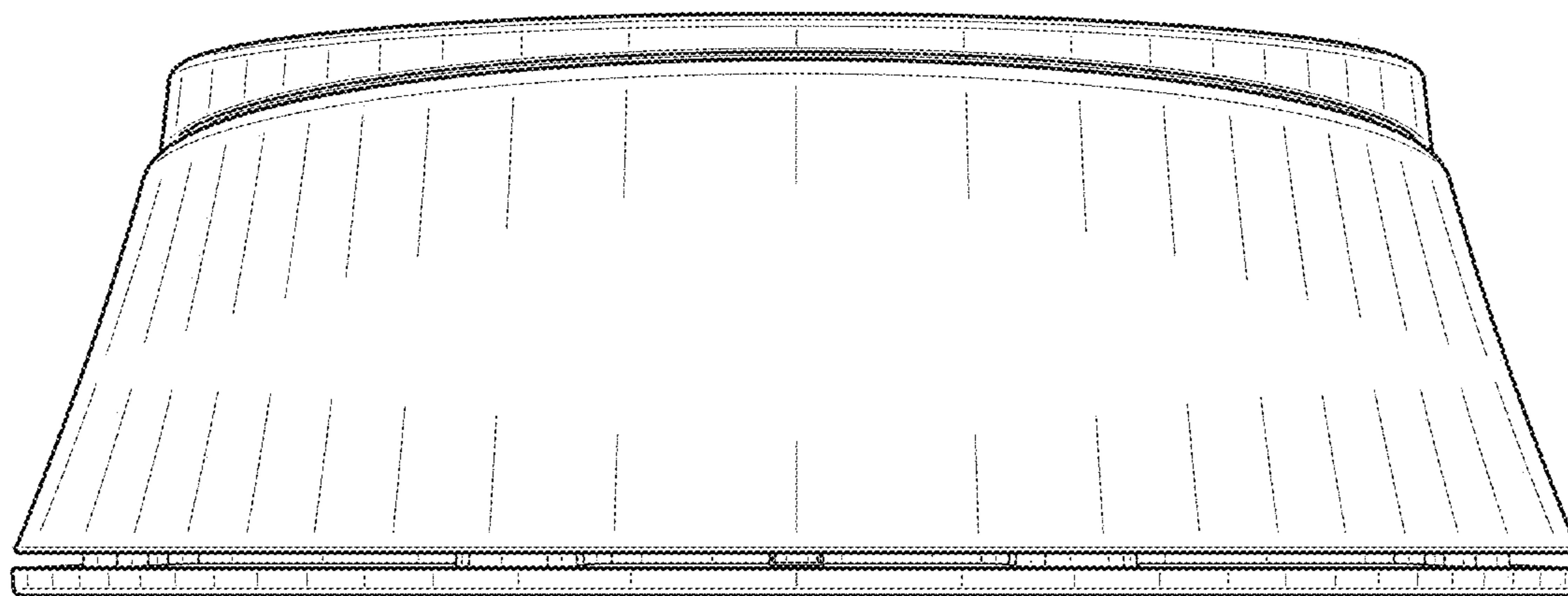


FIG. 10

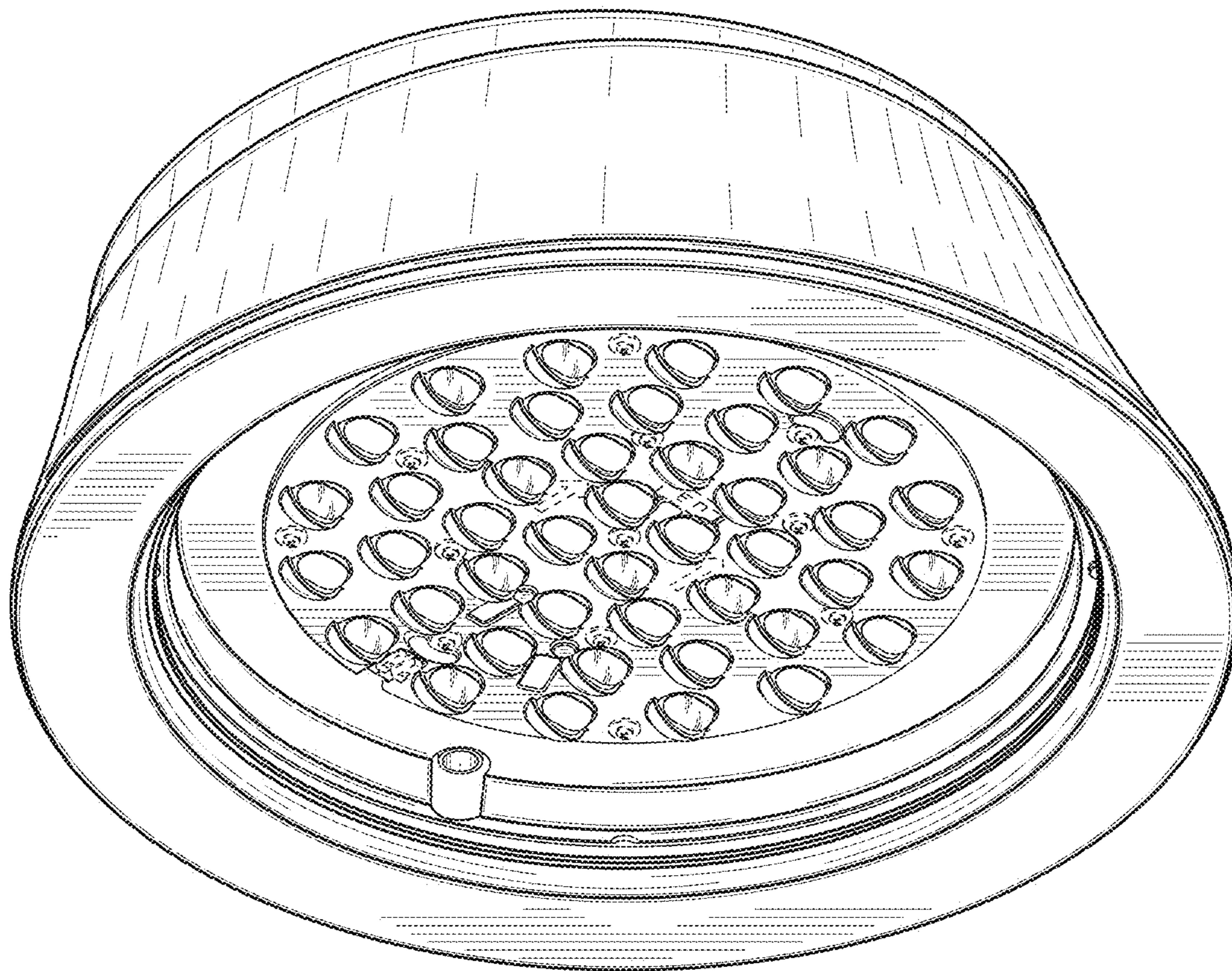


FIG. 11

FIG. 12

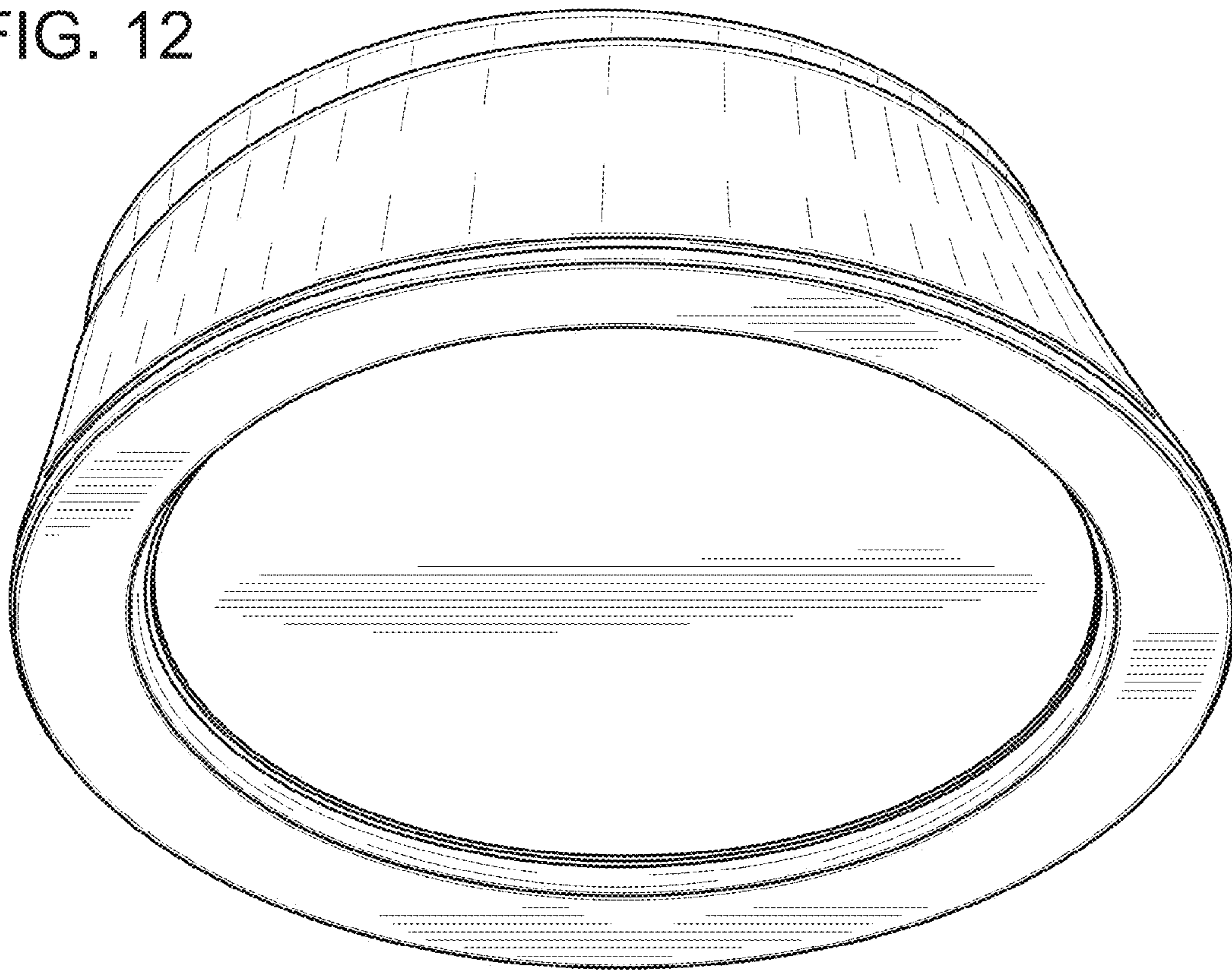
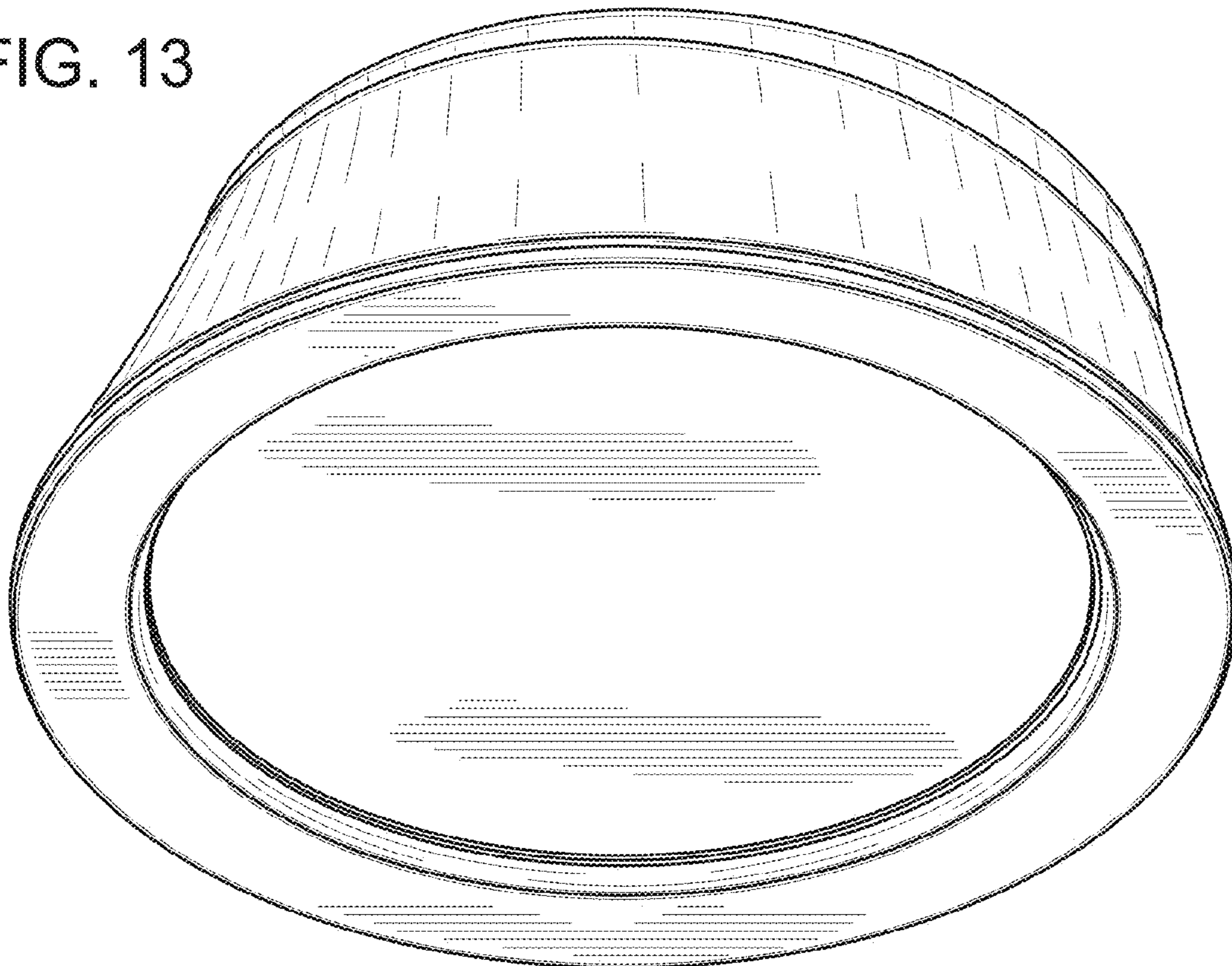


FIG. 13



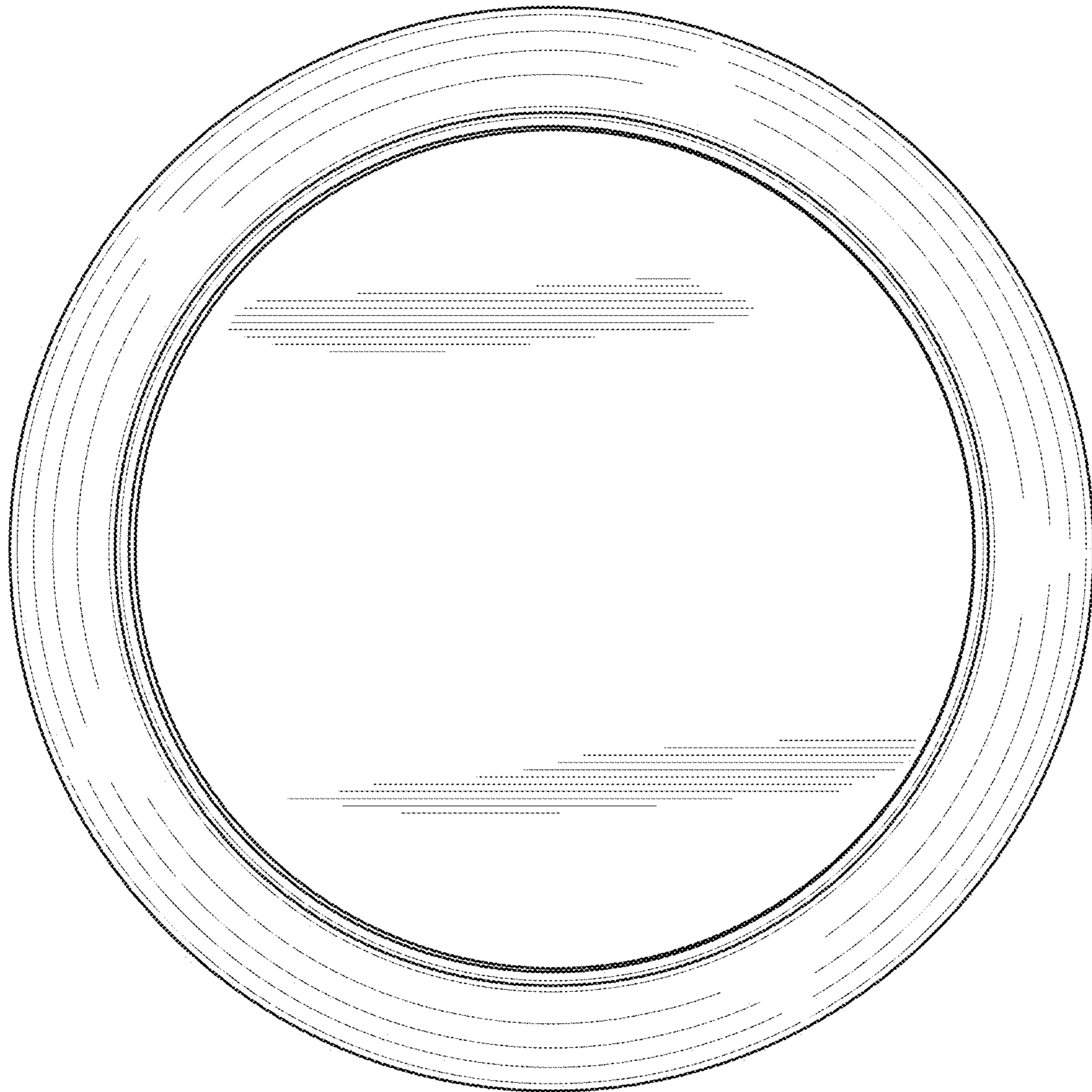


FIG. 14

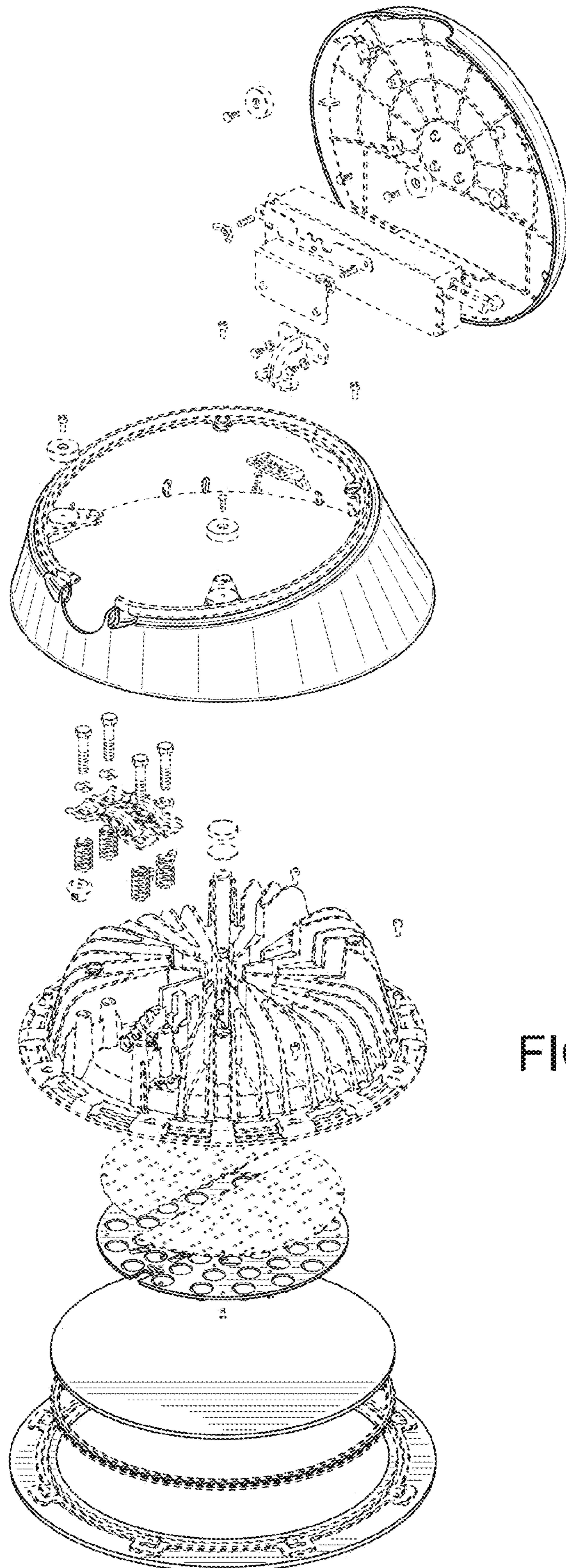


FIG. 15