



US00D903921S

(12) **United States Design Patent** (10) **Patent No.:** **US D903,921 S**  
**Zhuo** (45) **Date of Patent:** **\*\* Dec. 1, 2020**

(54) **SOLAR SPOTLIGHT**  
(71) Applicant: **ZHONGSHAN YINGHAO SOLAR TECHNOLOGY CO., LTD,**  
Guangdong (CN)  
(72) Inventor: **Qiang Zhuo,** Guangdong (CN)  
(73) Assignee: **ZHONGSHAN YINGHAO SOLAR TECHNOLOGY CO., LTD,**  
Zhongshan (CN)

D797,342 S \* 9/2017 Rousseau ..... D26/67  
D838,025 S \* 1/2019 Yu ..... D26/63  
D848,046 S \* 5/2019 Zhuo ..... D26/67  
D852,398 S \* 6/2019 Liu ..... D26/63  
D867,644 S \* 11/2019 Luo ..... D26/68  
D875,289 S \* 2/2020 Hu ..... D26/63  
D885,632 S \* 5/2020 Chen ..... D26/67  
D887,058 S \* 6/2020 Liu ..... D26/63  
D887,059 S \* 6/2020 Liu ..... D26/63  
2005/0103378 A1 5/2005 Pu  
2018/0283657 A1\* 10/2018 Xiong ..... F21V 21/0824

(\*\*) Term: **15 Years**  
(21) Appl. No.: **29/737,049**  
(22) Filed: **Jun. 4, 2020**

(30) **Foreign Application Priority Data**

Apr. 7, 2020 (CN) ..... 2020 3 0130213

(51) **LOC (12) Cl.** ..... **26-05**

(52) **U.S. Cl.**  
USPC ..... **D26/63; D26/67**

(58) **Field of Classification Search**  
USPC ..... D26/63, 67-70, 85  
CPC .. F21S 8/081; F21S 8/083; F21S 8/088; F21S  
9/03; F21S 9/035; F21S 9/037; F21V  
21/0824; F21W 2111/02; F21W 2111/023;  
F21W 2131/109; G09F 13/0404; G09F  
2013/0431

See application file for complete search history.

(56) **References Cited**

**U.S. PATENT DOCUMENTS**

D233,779 S \* 11/1974 Kennedy et al. .... D26/63  
5,211,470 A \* 5/1993 Frost ..... F21S 9/037  
362/183  
D533,298 S 12/2006 Kuelbs et al.  
D619,289 S \* 7/2010 You ..... D26/63

**OTHER PUBLICATIONS**

Aponuo Solar Spot Lights available at amazon.com as early as Jun. 19, 2020. (Year: 2020).\*

\* cited by examiner

*Primary Examiner* — Clare E Hefflin

(74) *Attorney, Agent, or Firm* — Wayne & Ken, LLC;  
Tony Hom

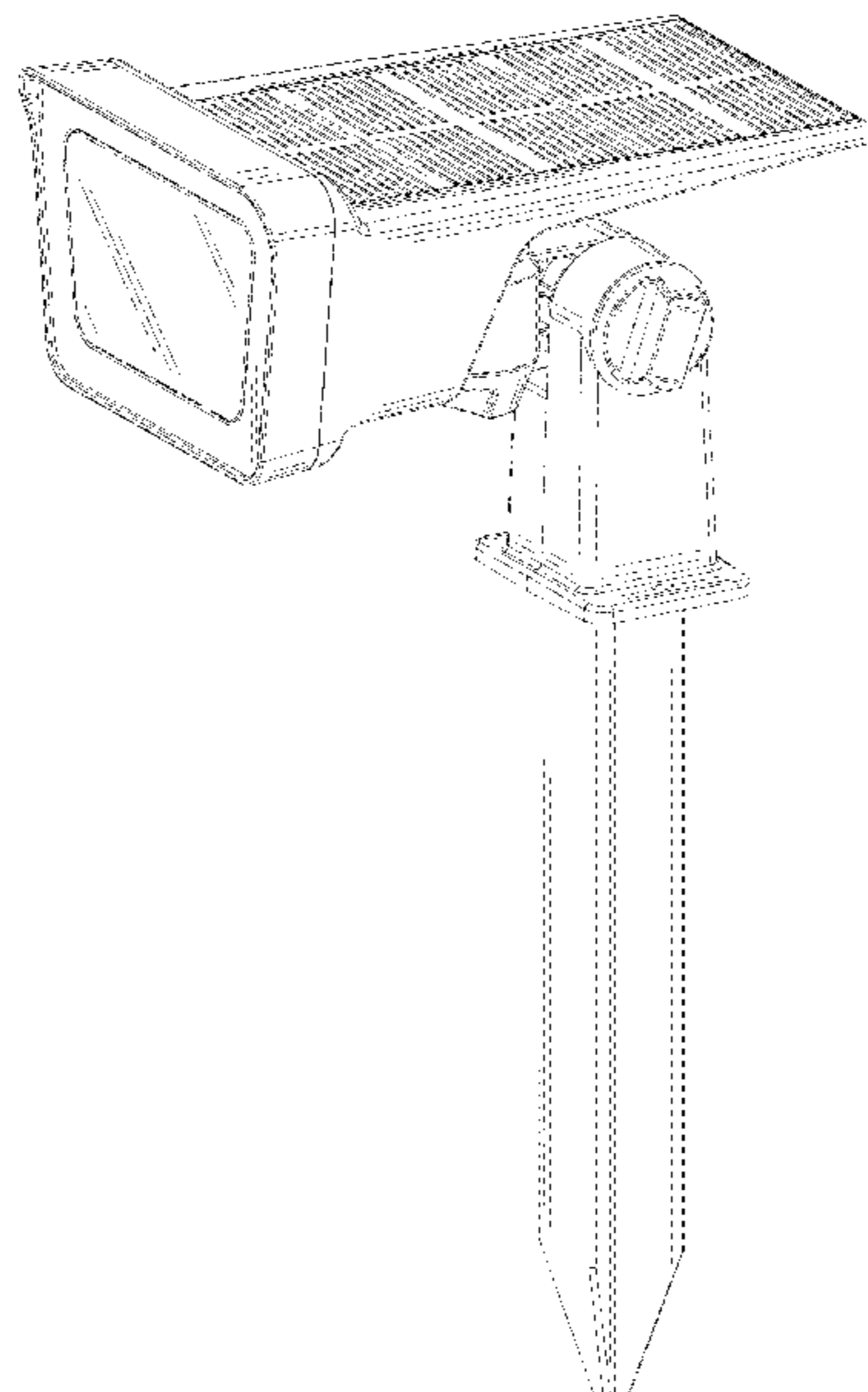
(57) **CLAIM**

The ornamental design for the solar spotlight, as shown and described.

**DESCRIPTION**

FIG. 1 is a perspective view of the solar spotlight showing my new design;  
FIG. 2 is another perspective view thereof;  
FIG. 3 is a front elevation view thereof;  
FIG. 4 is a back elevation view thereof;  
FIG. 5 is a left side view thereof;  
FIG. 6 is a right side view thereof;  
FIG. 7 is a top plan view thereof; and,  
FIG. 8 is a bottom plan view thereof.  
The broken lines shown on the drawings depict portions of the solar spotlight that form no part of the claimed design.

**1 Claim, 8 Drawing Sheets**



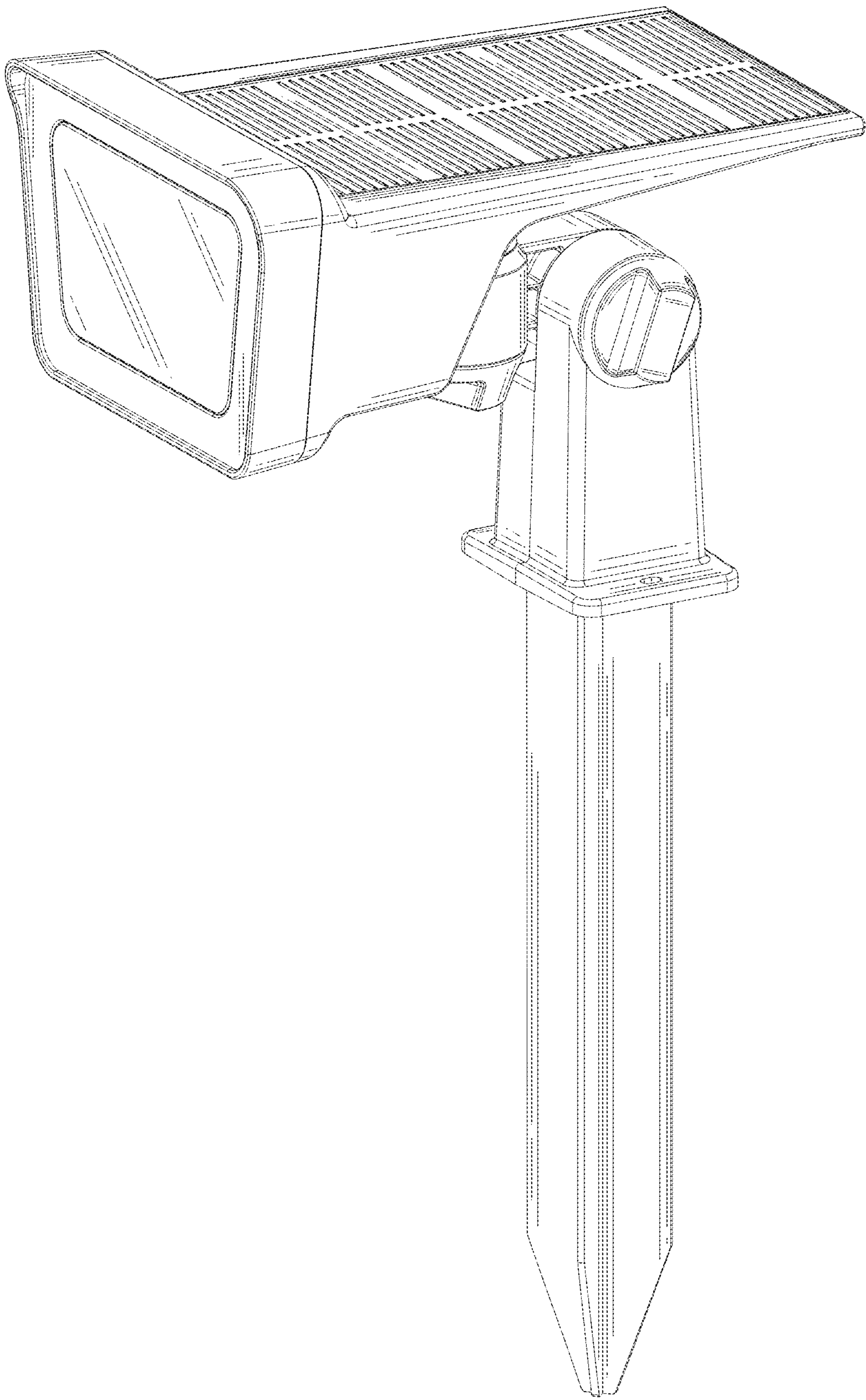


FIG. 1

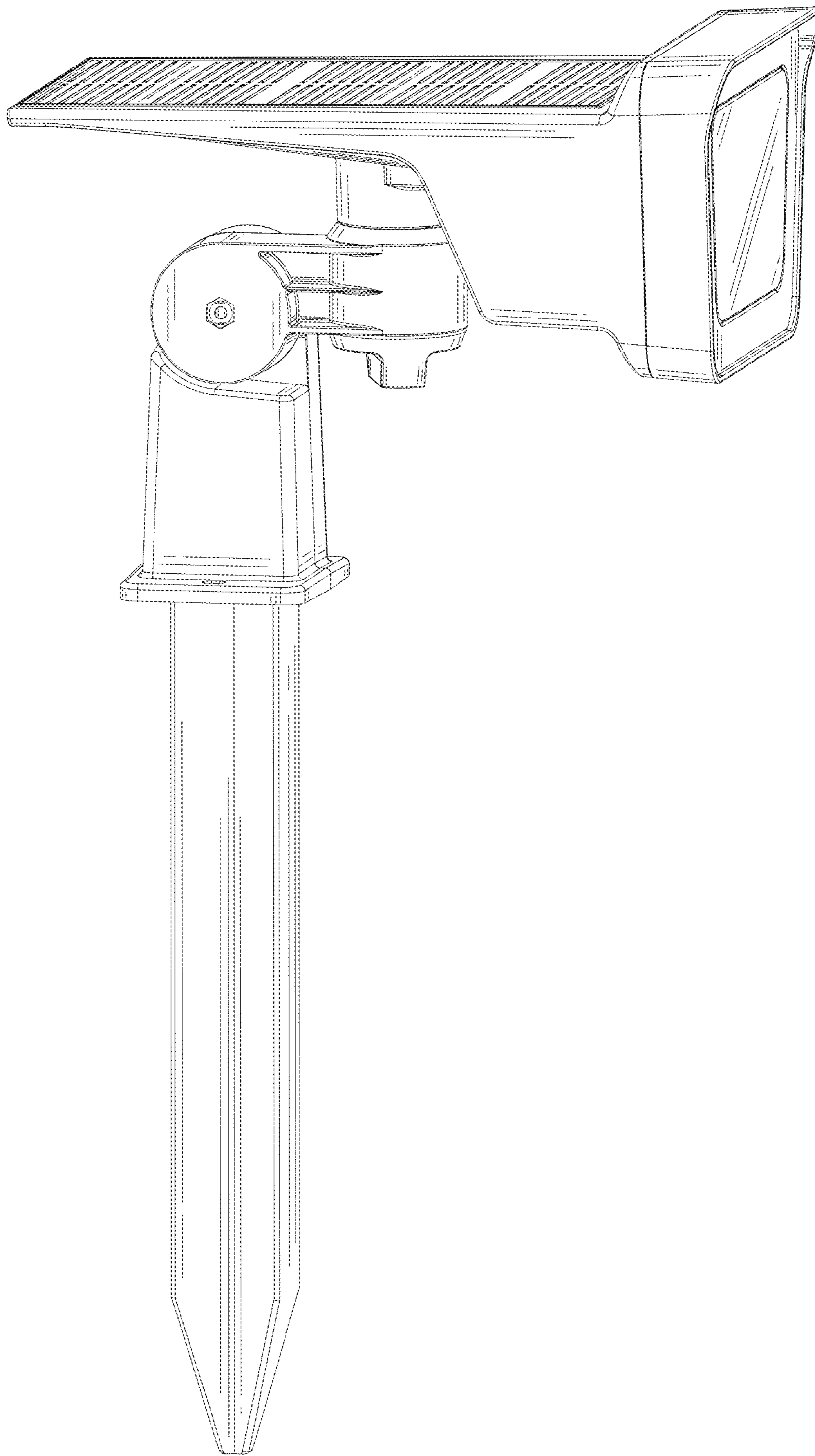


FIG. 2

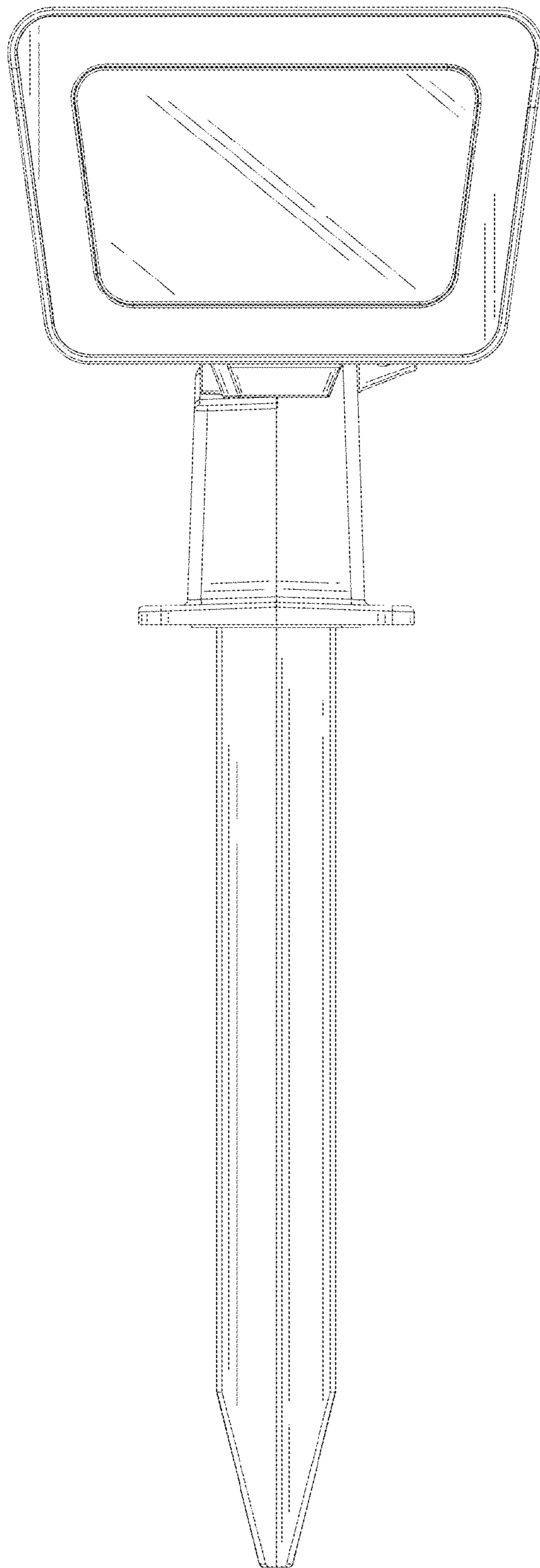


FIG. 3

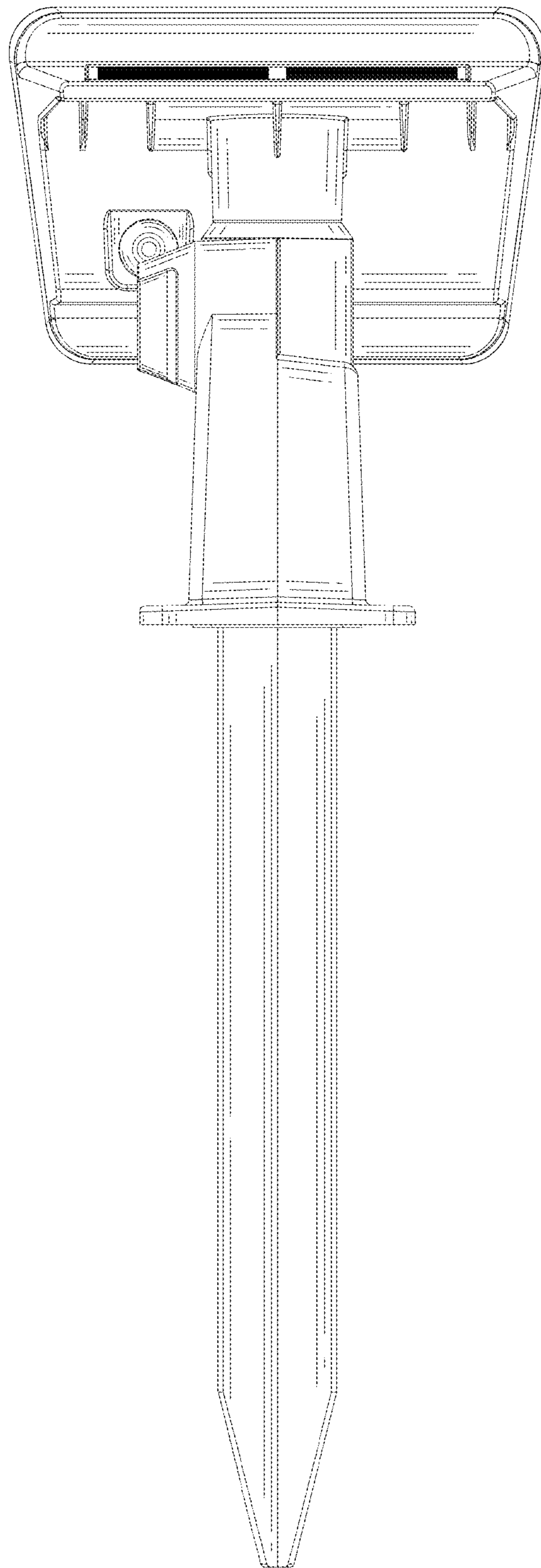


FIG. 4

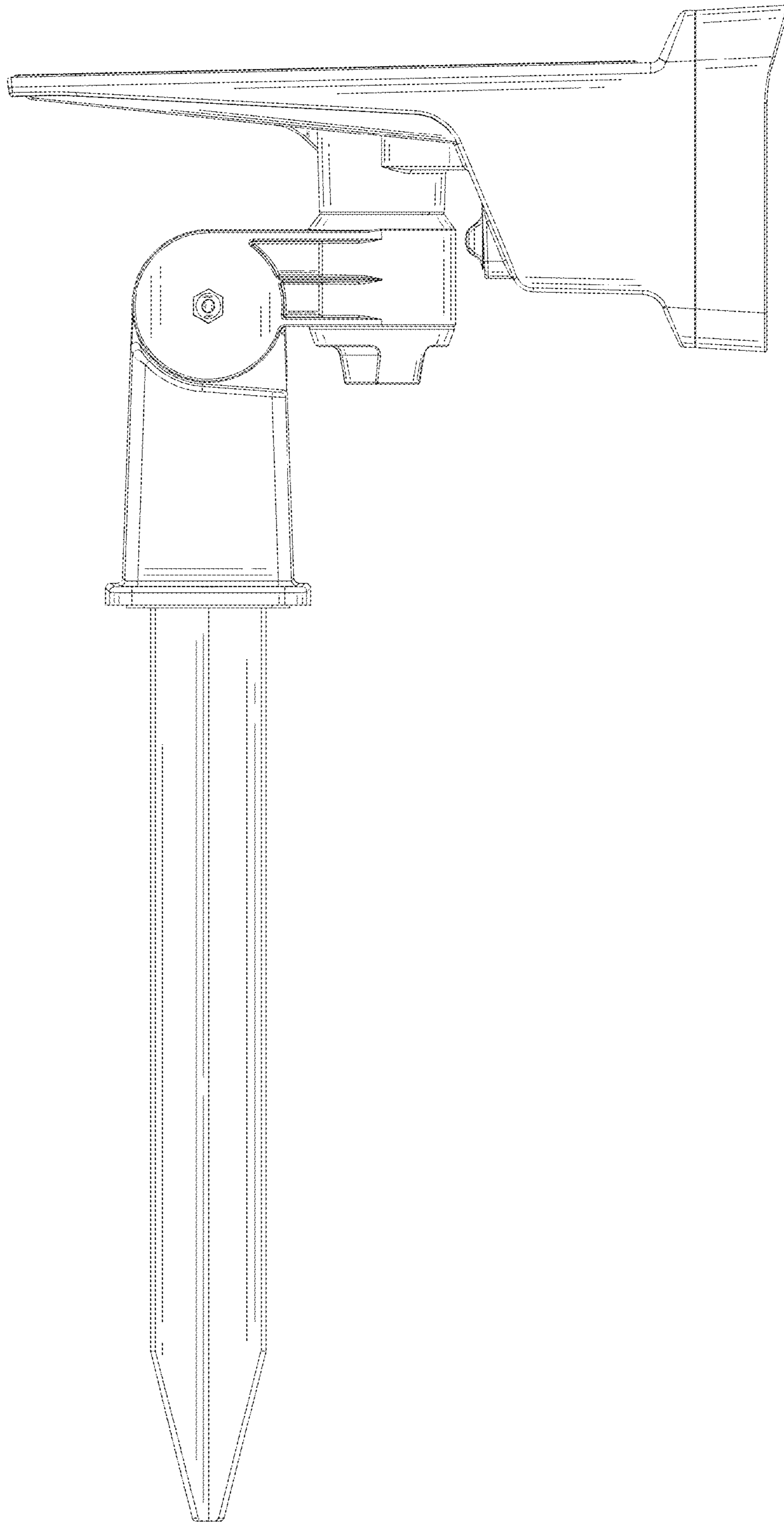


FIG. 5

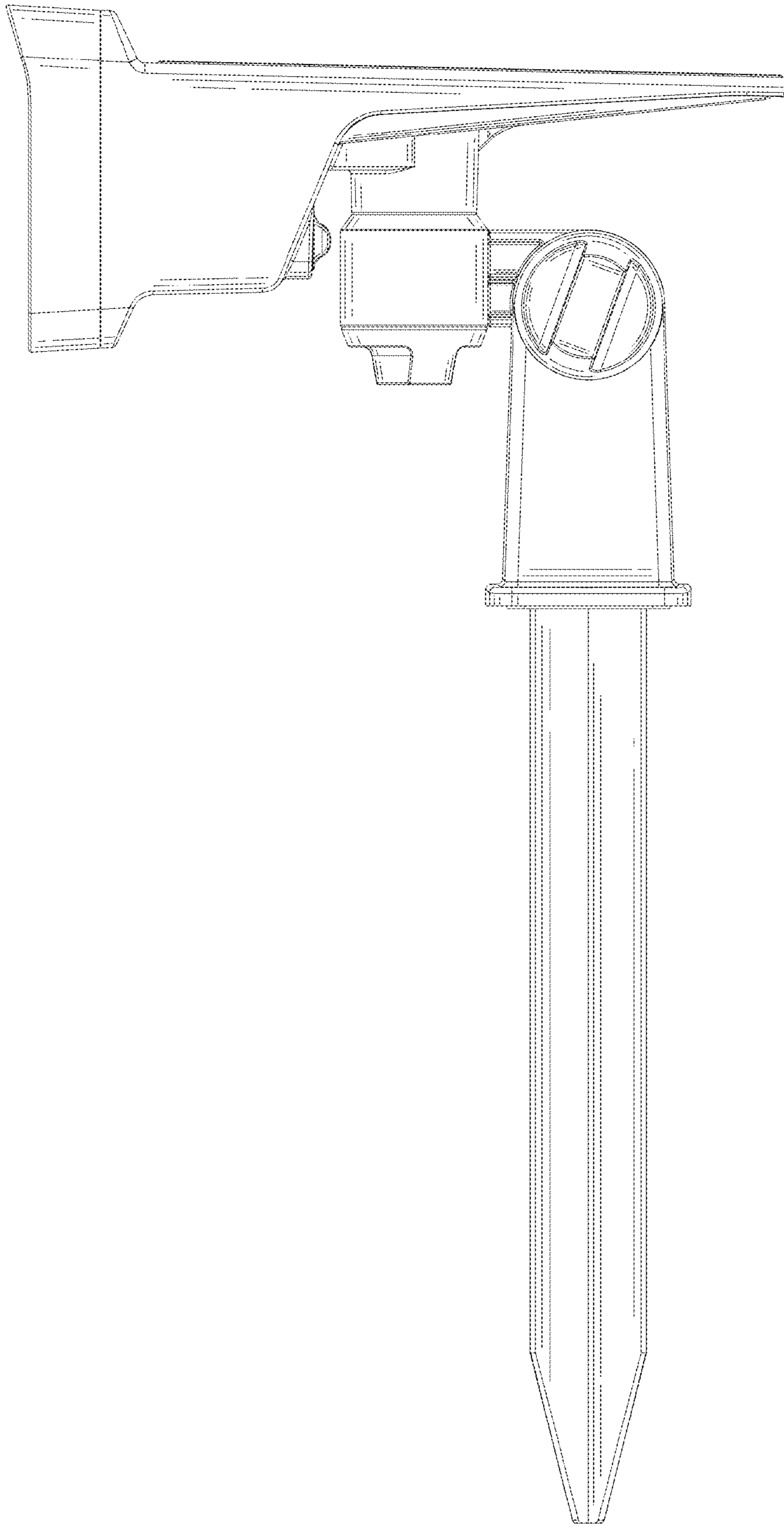


FIG. 6

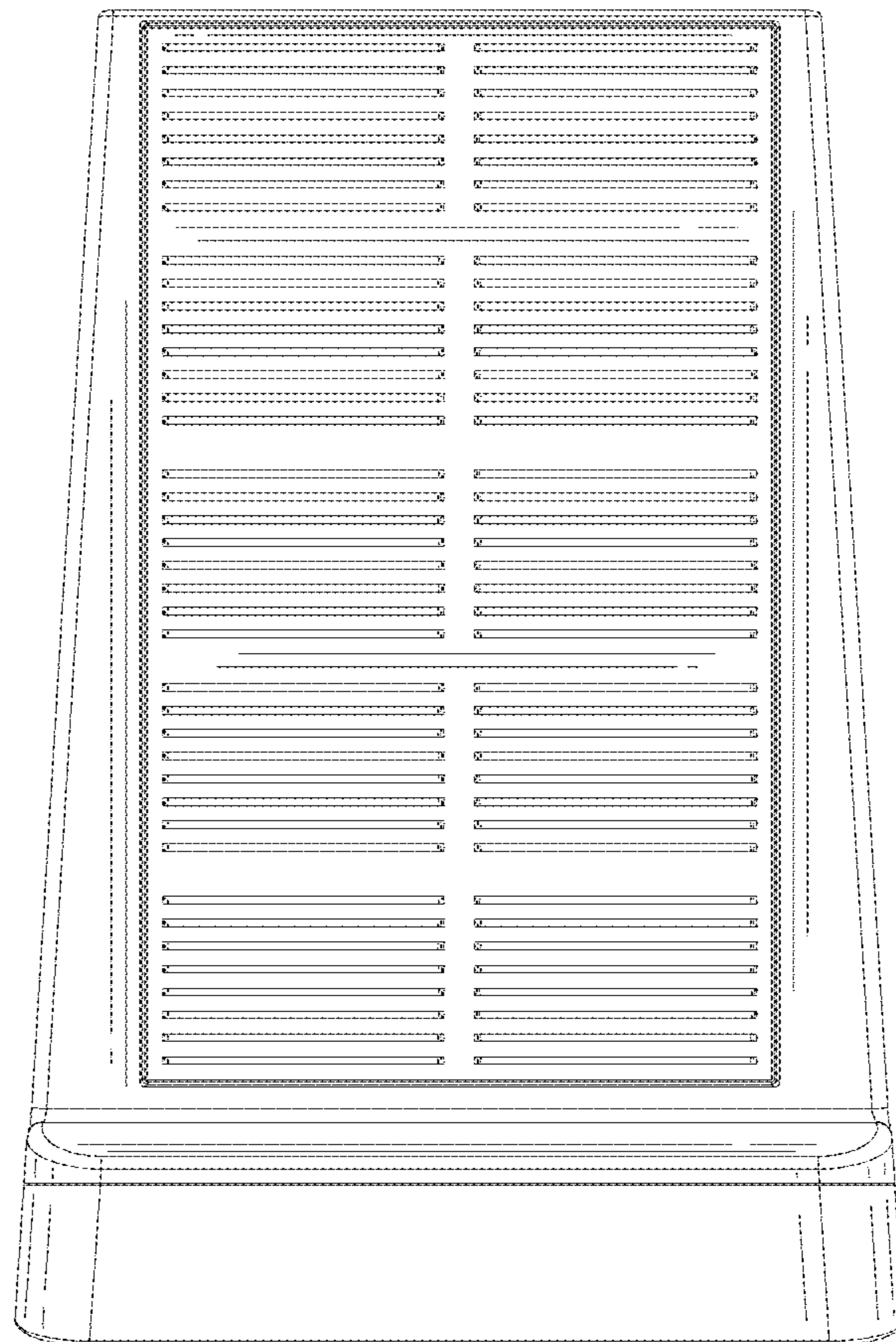


FIG. 7



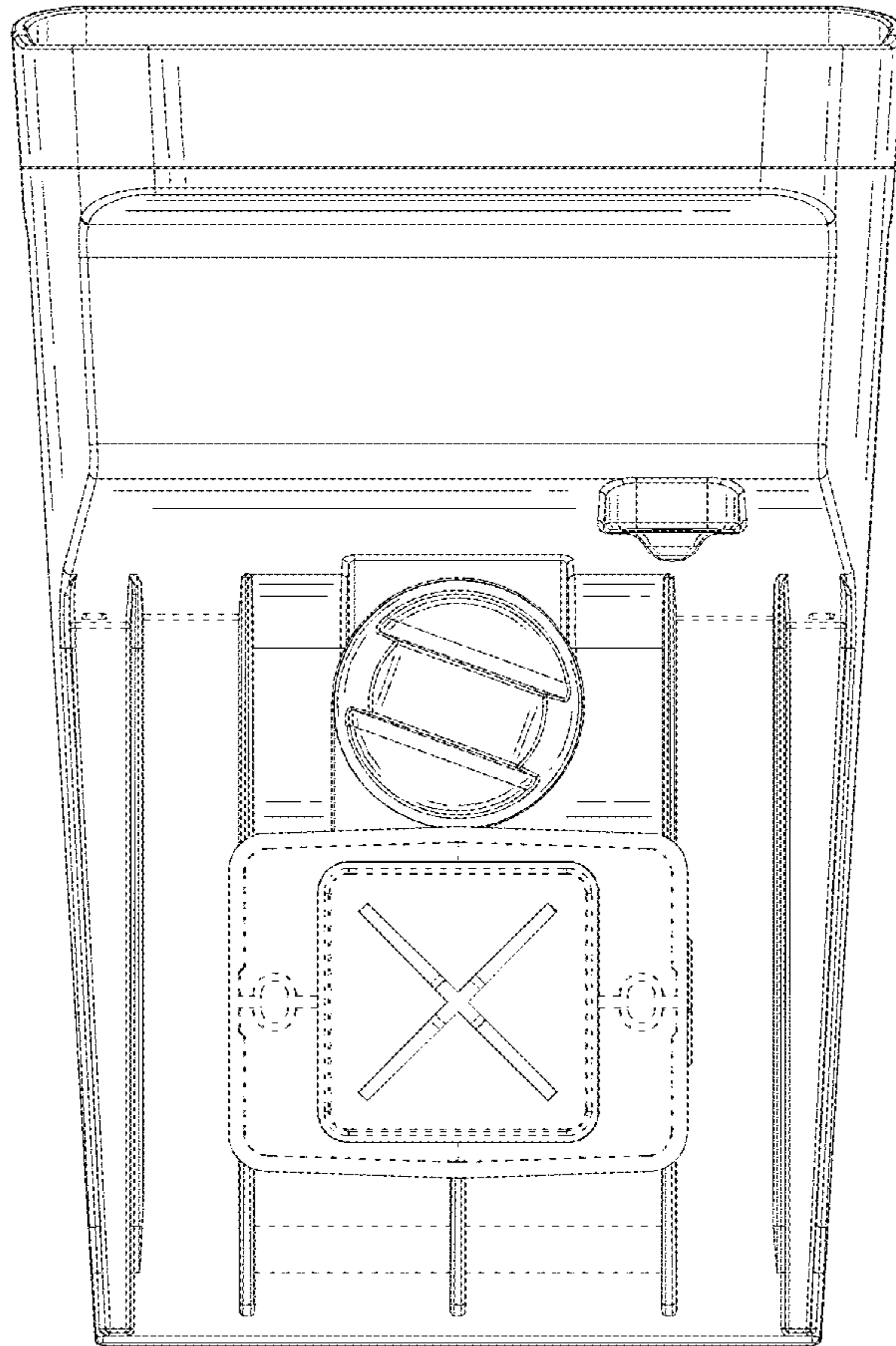


FIG. 8