



US00D903920S

(12) **United States Design Patent**
Kang

(10) **Patent No.:** **US D903,920 S**

(45) **Date of Patent:** **** Dec. 1, 2020**

(54) **MULTI-PURPOSE SOLAR SPOTLIGHT**

(71) Applicant: **SHENZHEN RUOCIN TECHNOLOGY CO., LTD.**, Shenzhen (CN)

(72) Inventor: **Xinlang Kang**, Shenzhen (CN)

(**) Term: **15 Years**

(21) Appl. No.: **29/736,282**

(22) Filed: **May 29, 2020**

(51) **LOC (12) Cl.** **26-05**

(52) **U.S. Cl.**
USPC **D26/63; D26/67**

(58) **Field of Classification Search**
USPC D26/63, 67-70, 85
CPC .. F21S 8/081; F21S 8/083; F21S 8/088; F21S 9/03; F21S 9/035; F21S 9/037; F21V 21/0824; F21W 2111/02; F21W 2111/023; F21W 2131/109; G09F 13/0404; G09F 2013/0431

See application file for complete search history.

(56) **References Cited**

U.S. PATENT DOCUMENTS

D47,816 S *	9/1915	Green	D26/24
D254,154 S *	2/1980	Young	D16/239
D374,496 S *	10/1996	Small	D26/63
D413,996 S *	9/1999	Andrus	D26/63
D638,159 S	5/2011	Yao		
9,890,938 B2 *	2/2018	Zhang	F21V 21/30
D837,431 S *	1/2019	Peng	D26/63
D838,026 S *	1/2019	Jiang	D26/67
D841,858 S *	2/2019	Deng	D26/68
D848,046 S	5/2019	Zhuo		
D866,836 S *	11/2019	Ji	D26/63
D867,644 S	11/2019	Luo		
10,488,002 B1 *	11/2019	Hwang	F21V 21/10

D881,433 S *	4/2020	Chen	D26/67
D895,876 S *	9/2020	Tang	D26/67
2007/0084500 A1 *	4/2007	Chen	F24S 30/48 136/244

OTHER PUBLICATIONS

Solar Garden Light with Dual Lights in One Body from ruocin.com visited Sep. 22, 2020. (Year: 2020).*

Twinspot Pro Solar Motion Sensor Dual Head LED Spotlight by Touch of Eco, available at overstock.com as early as Jul. 20, 2017. (Year: 2017).*

* cited by examiner

Primary Examiner — Clare E Heflin

(74) *Attorney, Agent, or Firm* — HYIP

(57) **CLAIM**

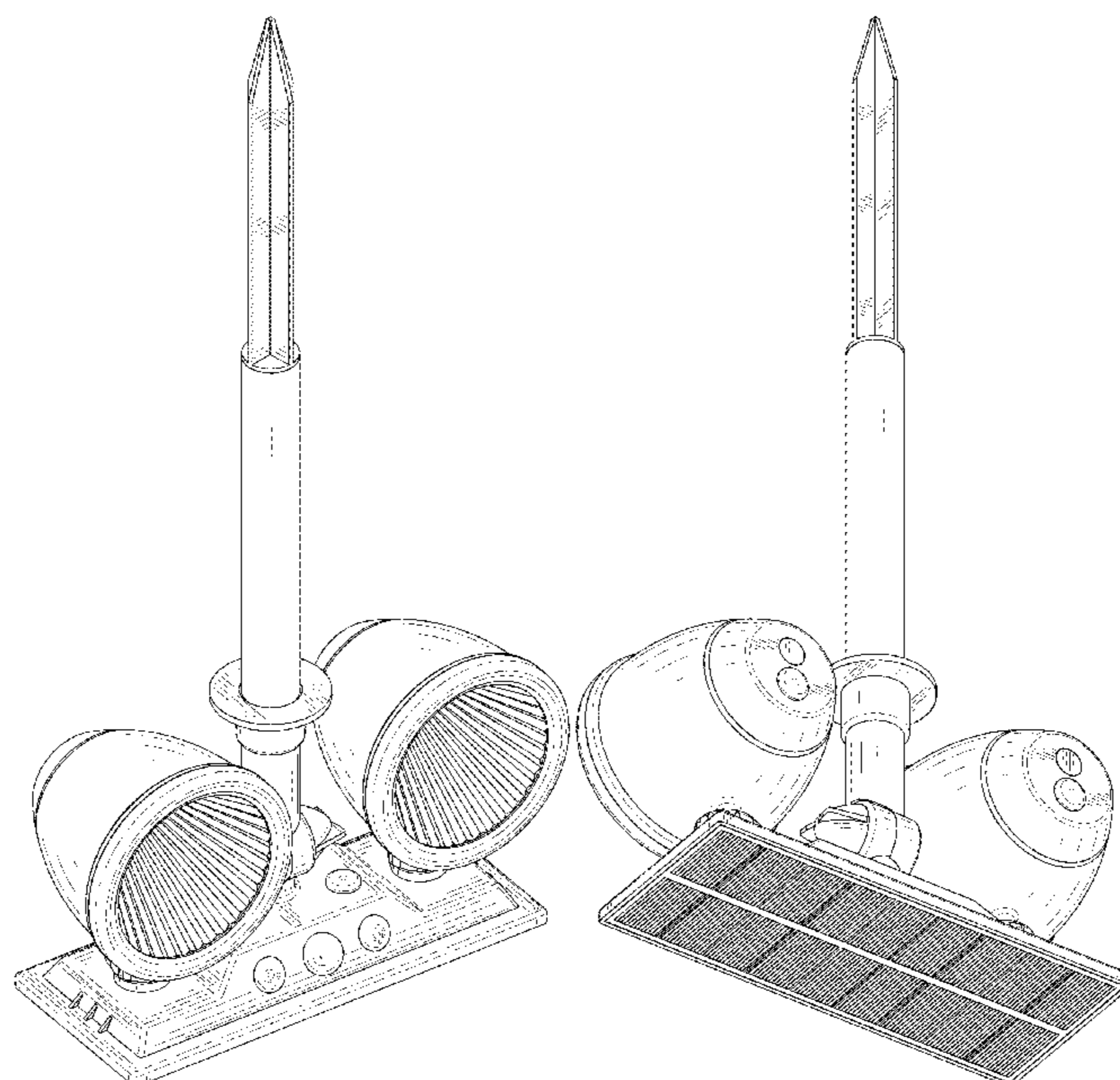
The ornamental design for a multi-purpose solar spotlight, as shown and described.

DESCRIPTION

FIG. 1 is a first perspective view of a multi-purpose solar spotlight showing my new design; FIG. 2 is a second perspective view thereof; FIG. 3 is a front view thereof; FIG. 4 is a back view thereof; FIG. 5 is a left side view thereof; FIG. 6 is a right side view thereof; FIG. 7 is a top view thereof; and, FIG. 8 is a bottom view thereof.

The broken lines shown in the drawings depict portions of the multi-purpose solar spotlight in which the design is embodied that form no part of the claimed design.

1 Claim, 8 Drawing Sheets



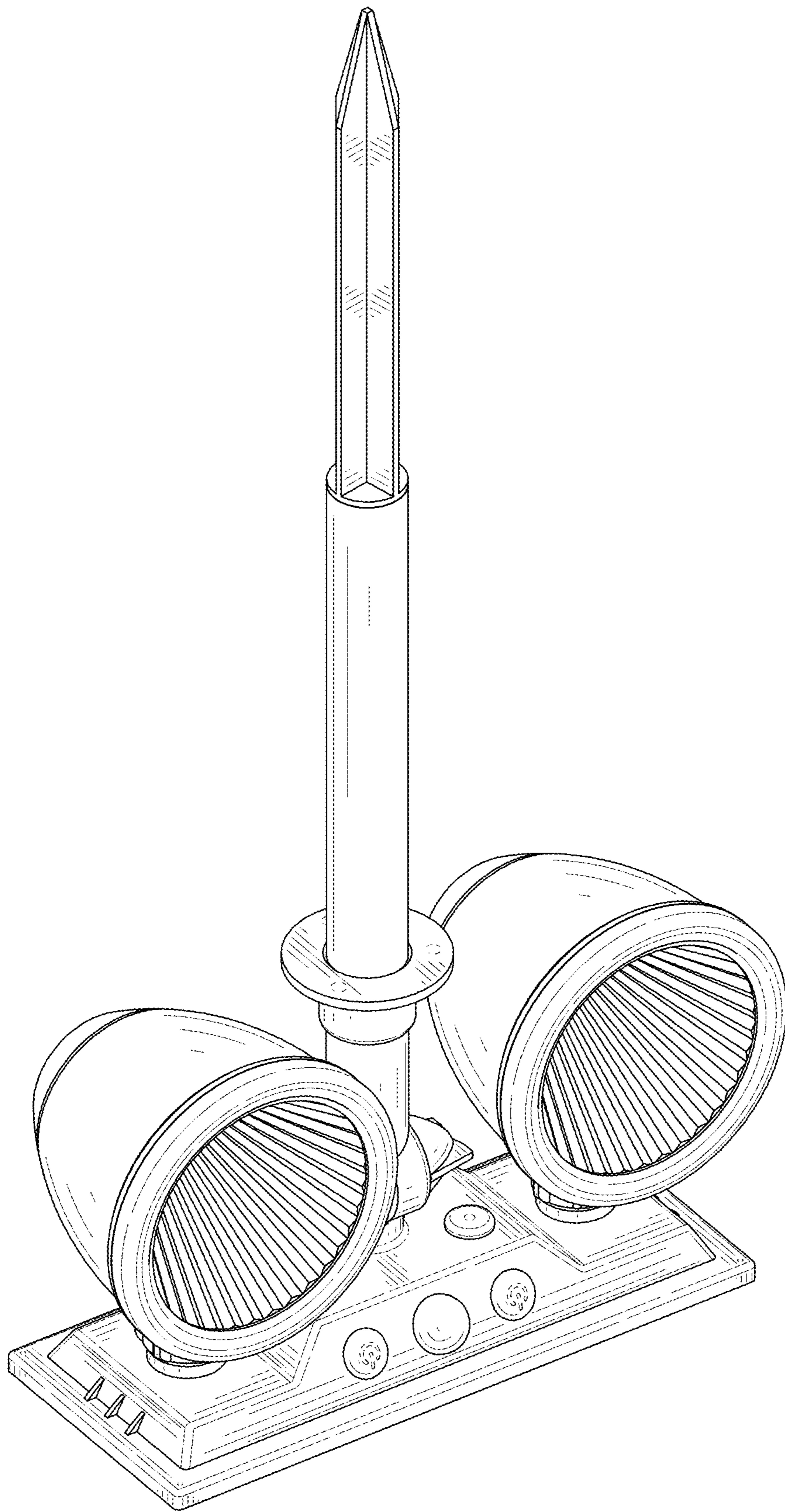


FIG. 1

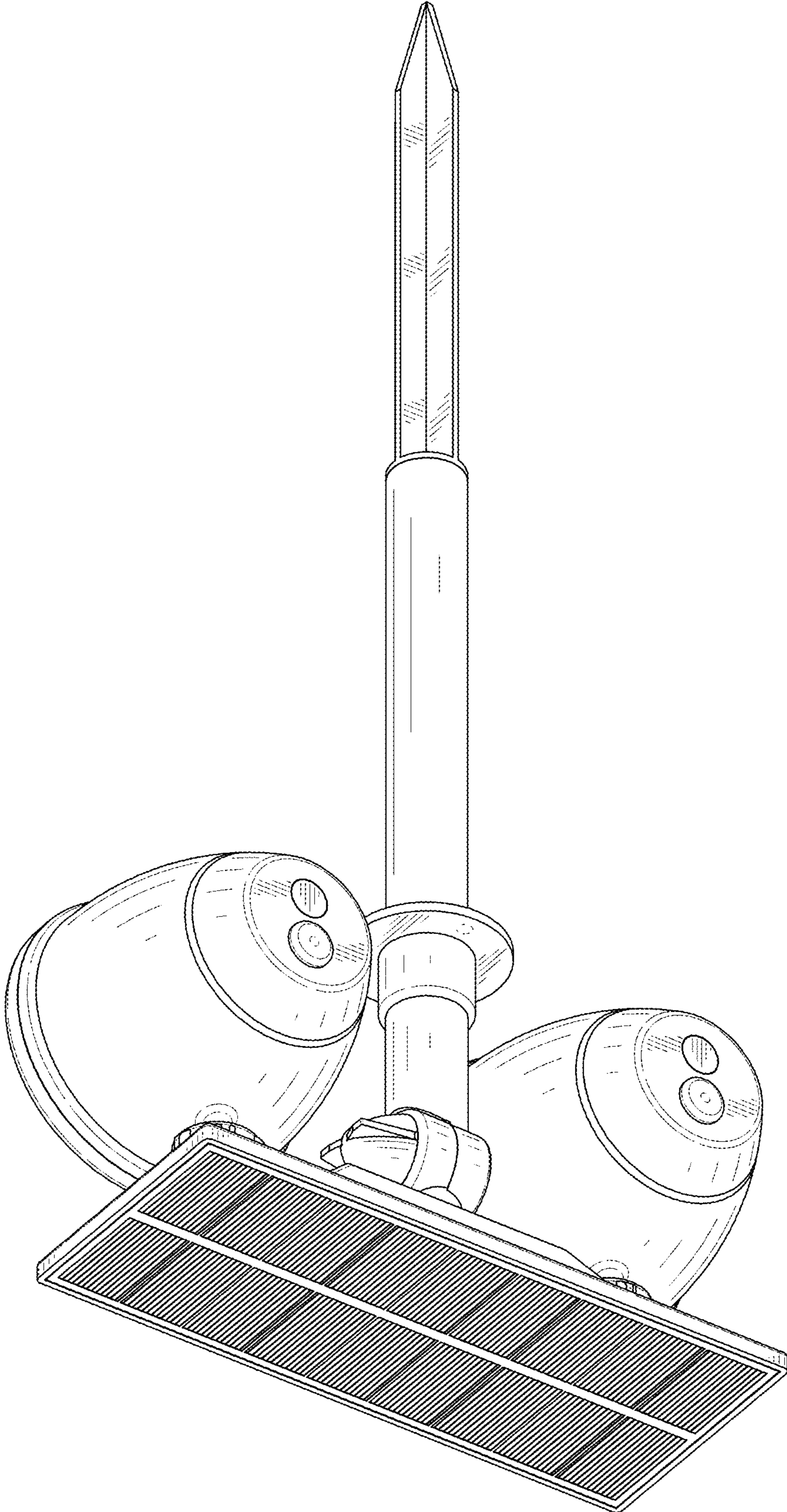


FIG. 2

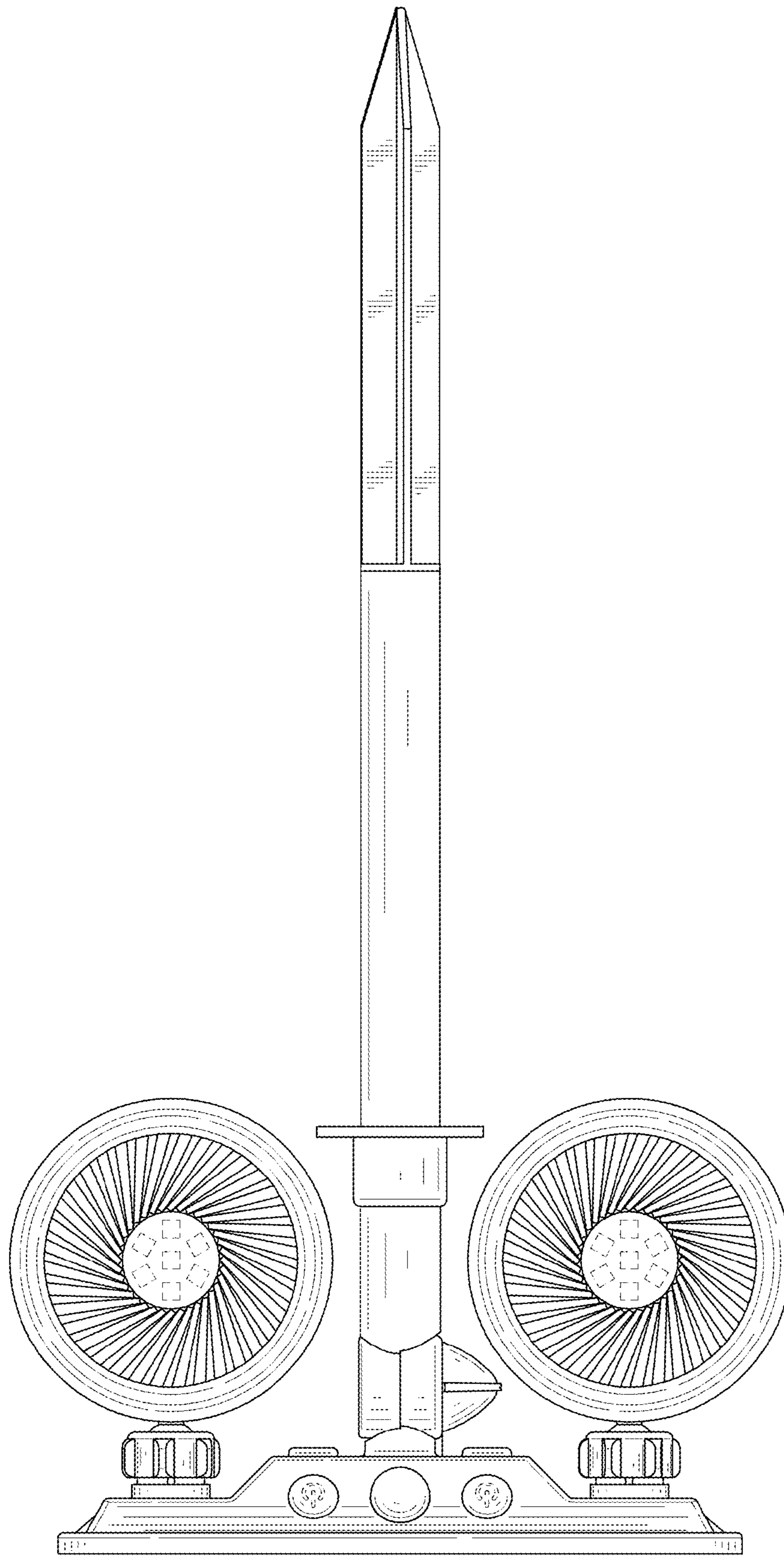


FIG. 3

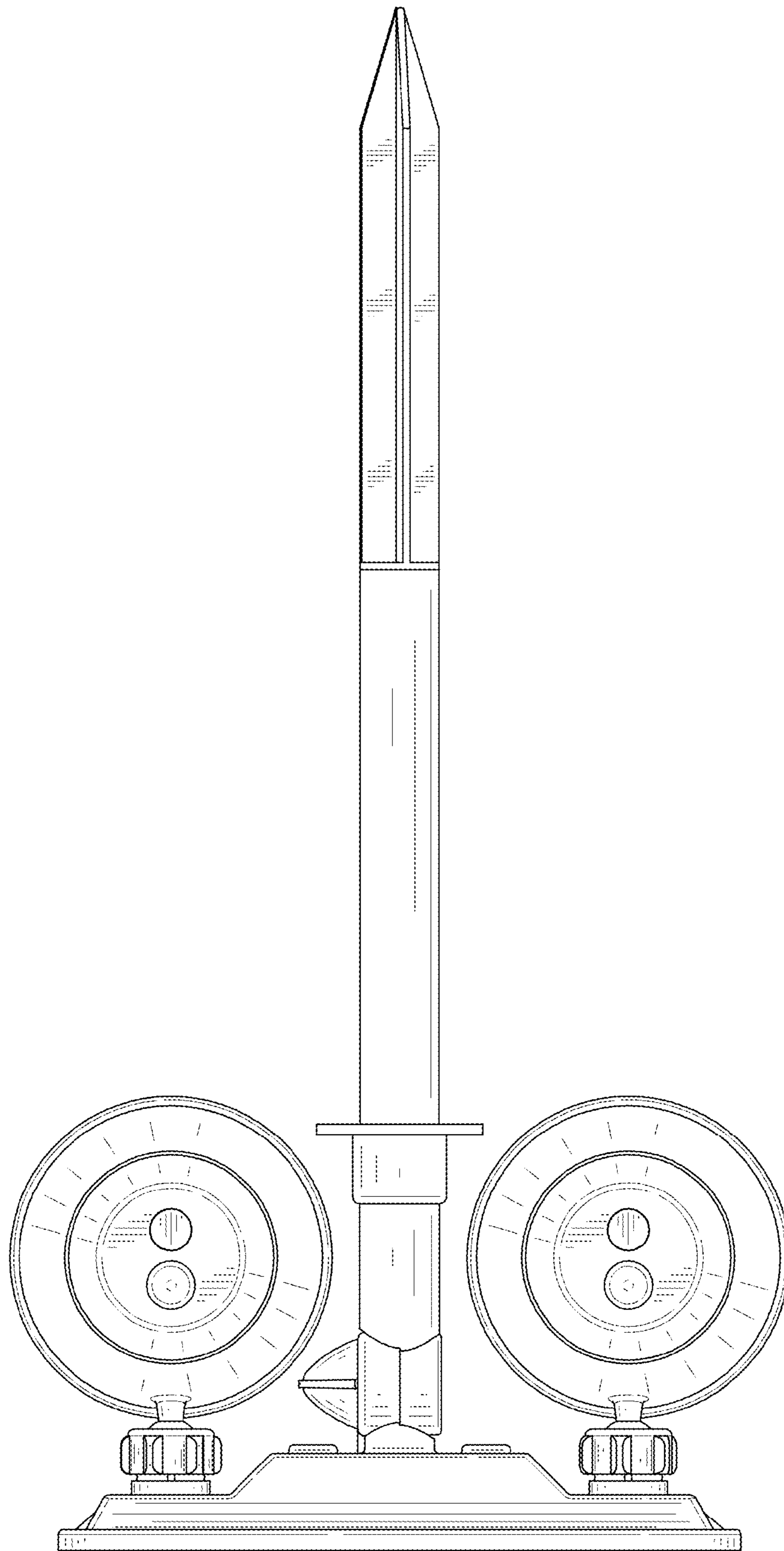


FIG. 4

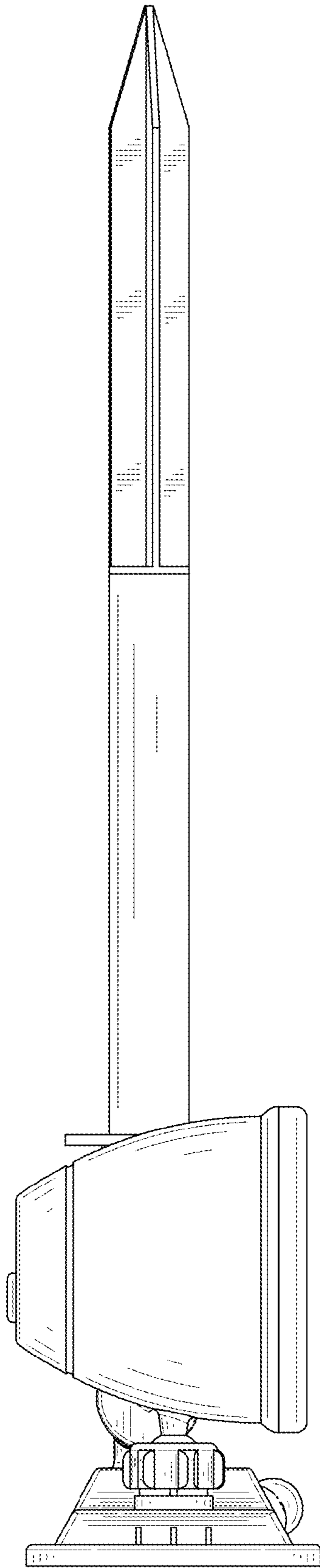


FIG. 5

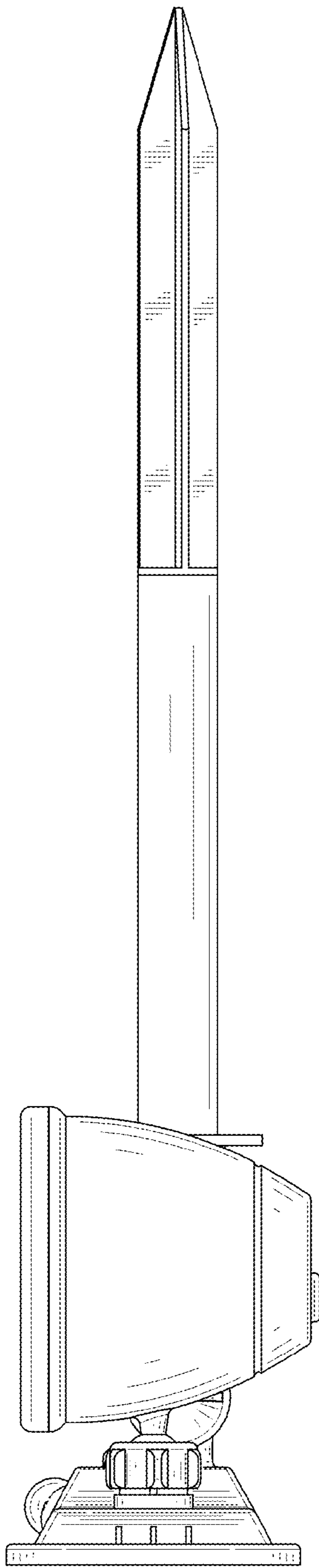


FIG. 6

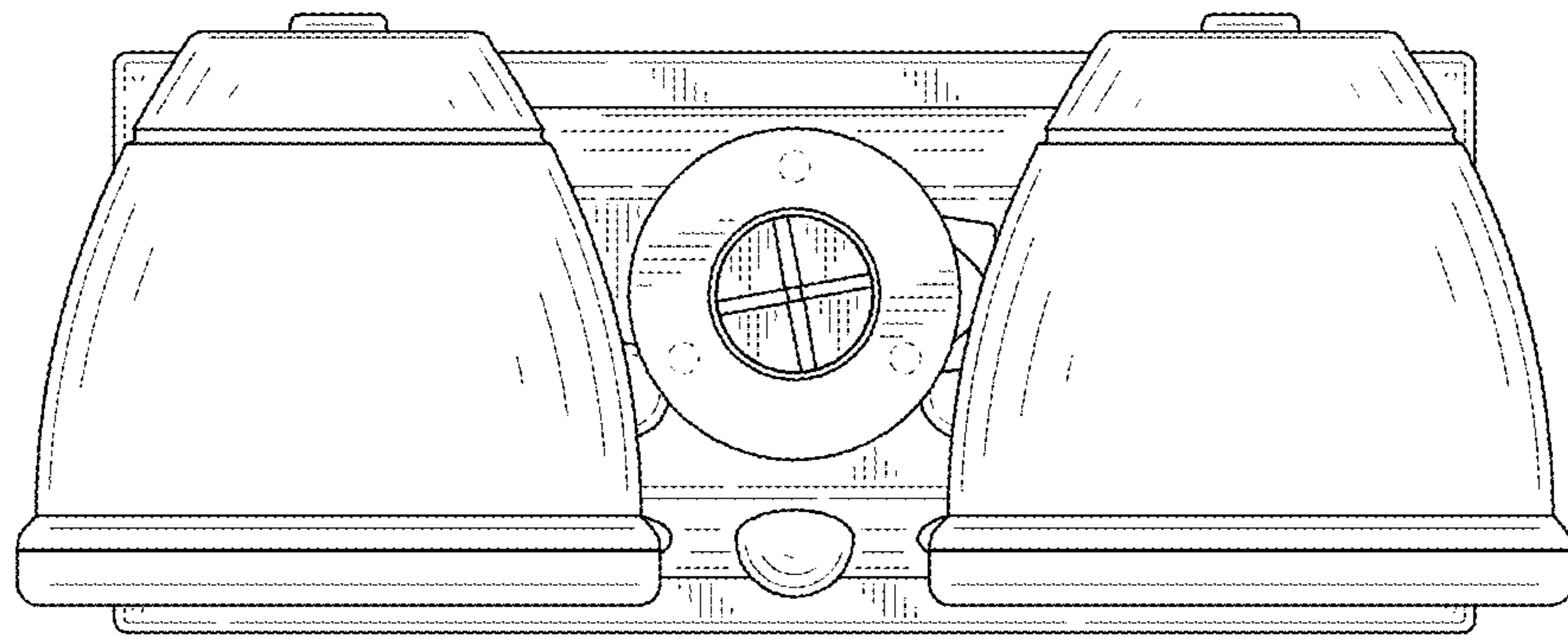


FIG. 7

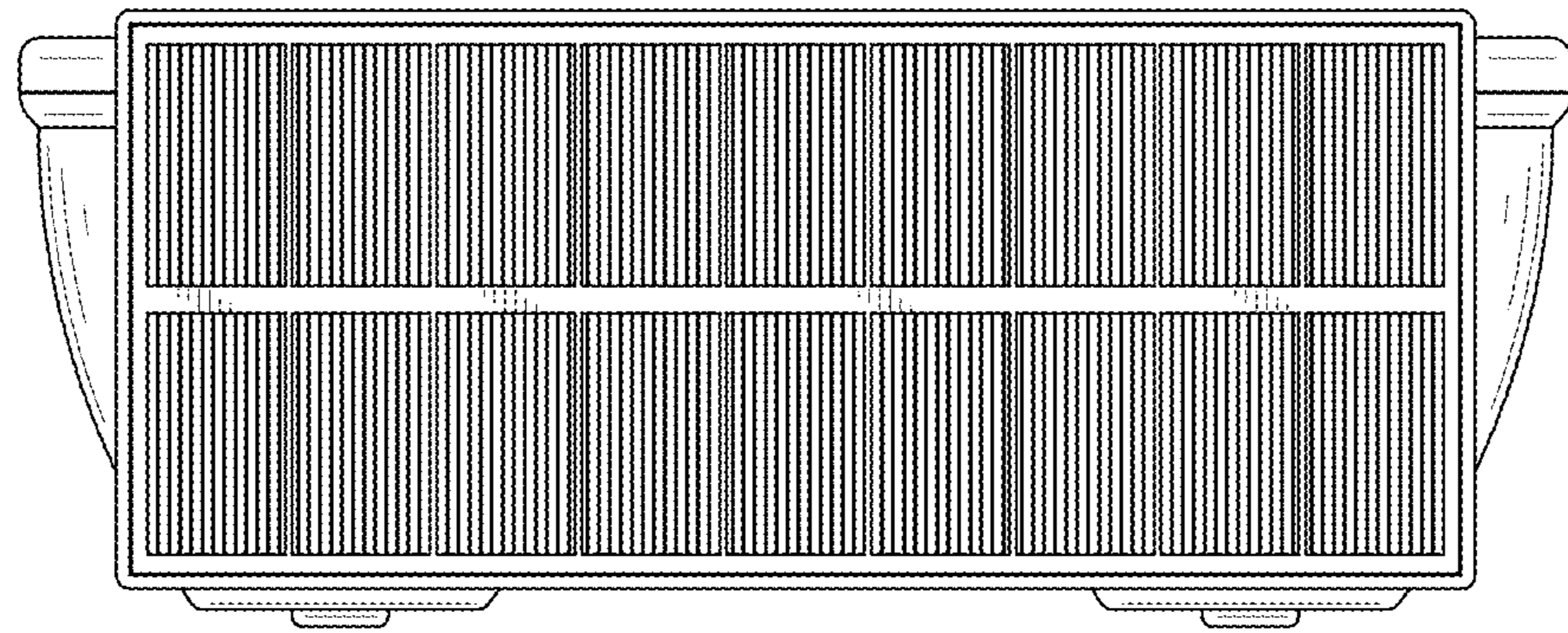


FIG. 8