



US00D903919S

(12) **United States Design Patent** (10) **Patent No.:** **US D903,919 S**
Recker et al. (45) **Date of Patent:** **** Dec. 1, 2020**

(54) **SPOTLIGHT**
(71) Applicant: **Amazon Technologies, Inc.**, Seattle, WA (US)
(72) Inventors: **Michael V. Recker**, Gaithersburg, MD (US); **Ryan David Hruska**, North Royalton, OH (US); **David Brett Levine**, Pepper Pike, OH (US)

D335,193 S * 4/1993 Shaanan D26/63
D346,234 S * 4/1994 Sammis D26/63
D407,518 S * 3/1999 Yeh D26/63
D427,696 S * 7/2000 Scott D26/63
D562,486 S * 2/2008 Luke D26/61
D564,688 S 3/2008 Korpi
D642,717 S 8/2011 Lindholm et al.
D715,474 S * 10/2014 Janos D26/63
D729,965 S * 5/2015 Recker D26/63
D767,192 S * 9/2016 Cai D26/63

(Continued)

(73) Assignee: **Amazon Technologies, Inc.**, Seattle, WA (US)

FOREIGN PATENT DOCUMENTS

(**) Term: **15 Years**

TW D147094 5/2012
TW D171335 10/2015

(21) Appl. No.: **29/724,103**

OTHER PUBLICATIONS

(22) Filed: **Feb. 12, 2020**

Korean Office Action dated Oct. 1, 2018 for Korean design application No. 30-2018-0003426, a counterpart foreign application of Design U.S. Appl. No. 29/611,128, 4 pages.

Related U.S. Application Data

(63) Continuation of application No. 29/701,152, filed on Aug. 8, 2019, now Pat. No. Des. 879,348, which is a continuation of application No. 29/611,128, filed on Jul. 19, 2017, now Pat. No. Des. 857,270.

Primary Examiner — Brian N. Vinson
(74) *Attorney, Agent, or Firm* — Lee & Hayes, P.C.

(51) **LOC (12) Cl.** **26-03**

(57) **CLAIM**

(52) **U.S. Cl.**
USPC **D26/63**

The ornamental design for a spotlight, as shown and described.

(58) **Field of Classification Search**
USPC D26/24, 60–65, 93
CPC F21S 8/00; F21S 8/02; F21S 8/003; F21S 8/026; F21S 8/03; F21S 8/038; F21S 8/04; F21S 8/043; F21S 6/00; F21V 5/046; F21V 5/04; F21V 1/00; F21V 5/00; F21V 21/02; F21V 15/01
See application file for complete search history.

DESCRIPTION

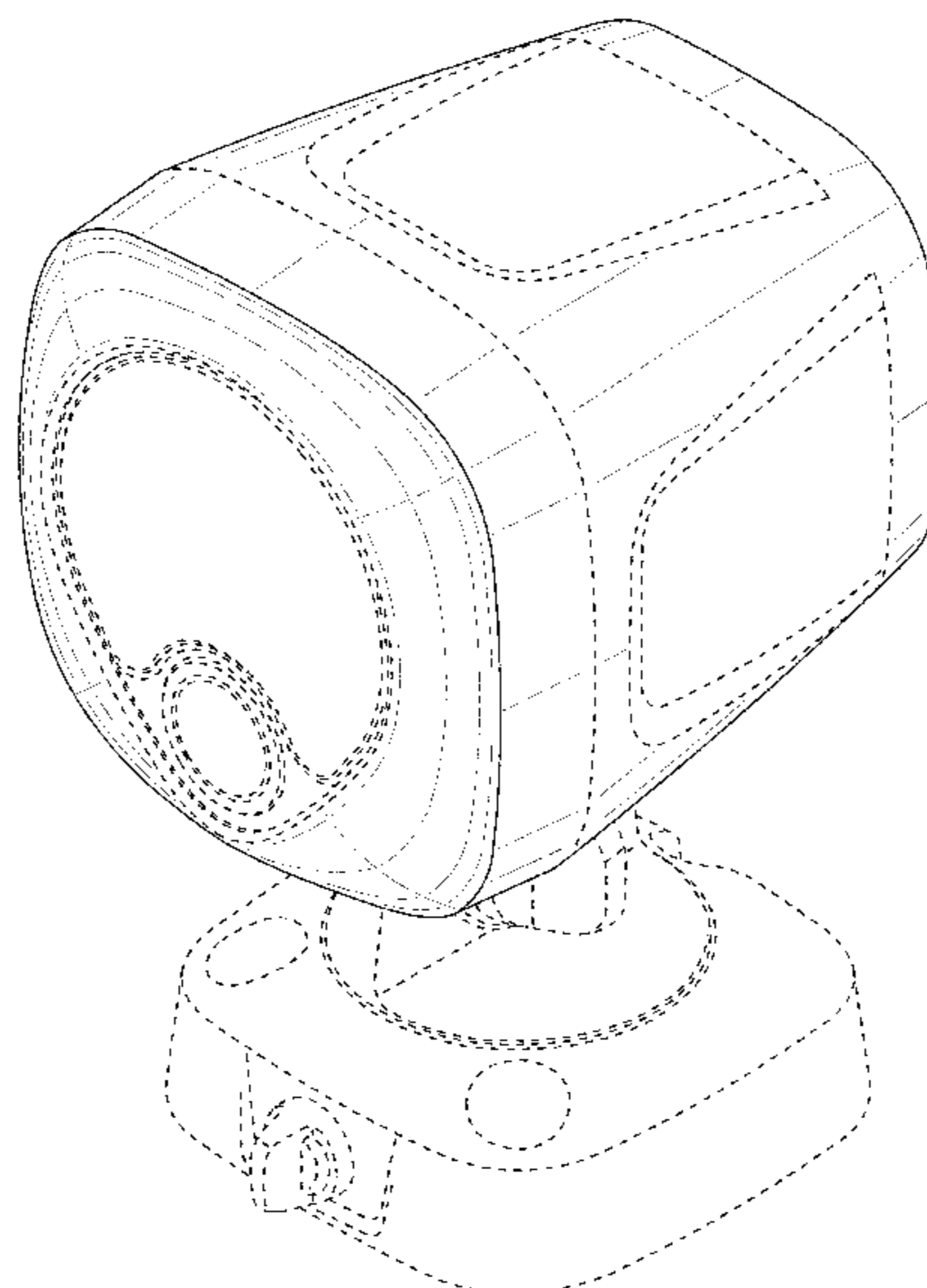
FIG. 1 is a front, right, top perspective view of a spotlight; FIG. 2 is a rear, left, bottom perspective view thereof; FIG. 3 is a front elevation view thereof; FIG. 4 is a rear elevation view thereof; FIG. 5 is a left-side elevation view thereof; FIG. 6 is a right-side elevation view thereof; FIG. 7 is a top plan view thereof; and, FIG. 8 is a bottom plan view thereof. The broken lines depict portions of the spotlight that form no part of the claimed design.

(56) **References Cited**

U.S. PATENT DOCUMENTS

D242,945 S * 1/1977 Moore D26/65
D316,303 S * 4/1991 Layne D26/63

1 Claim, 8 Drawing Sheets



(56)

References Cited

U.S. PATENT DOCUMENTS

D806,298 S * 12/2017 Recker D26/63
D812,280 S * 3/2018 Lechtenberg D26/63

* cited by examiner

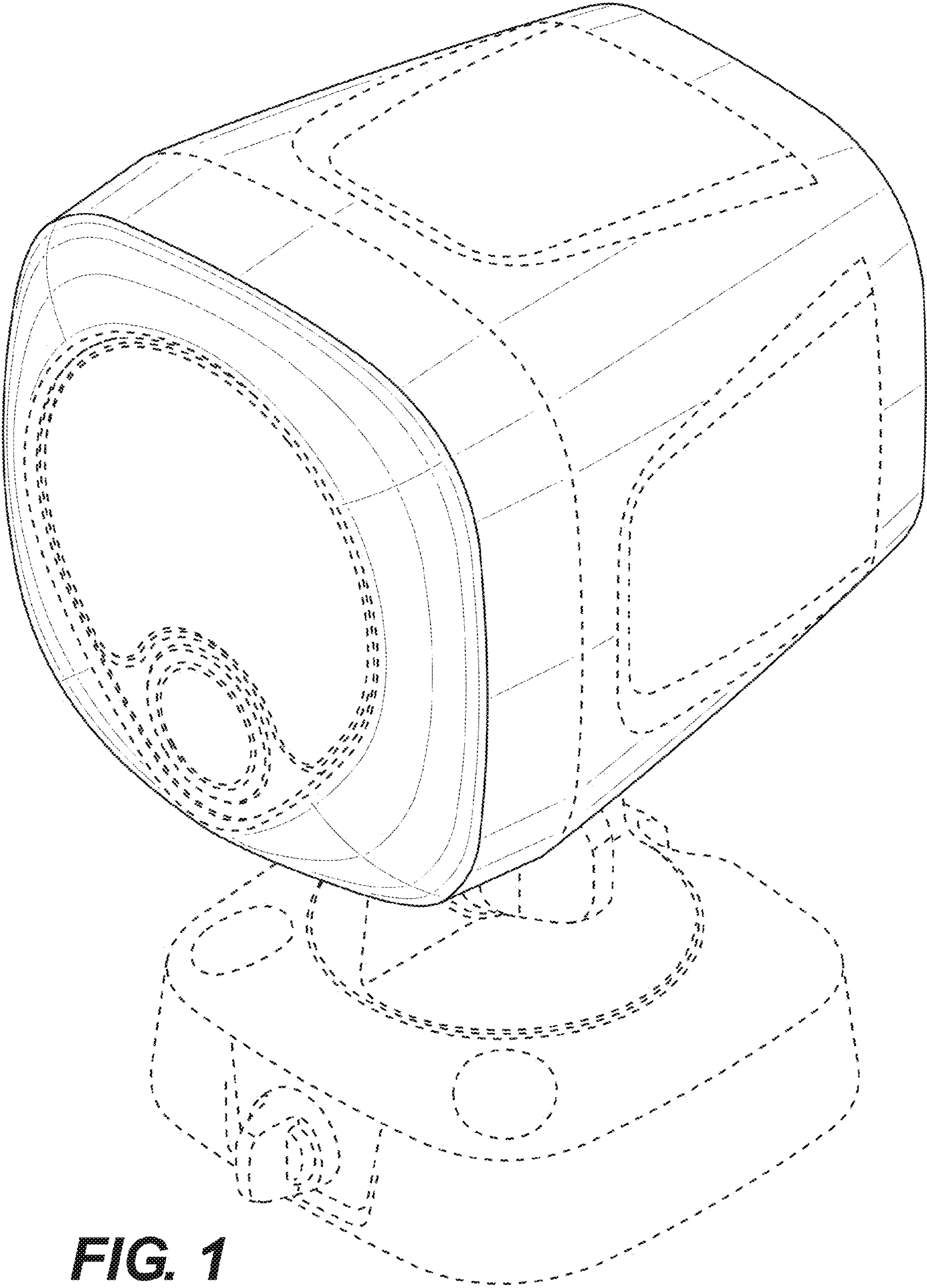


FIG. 1

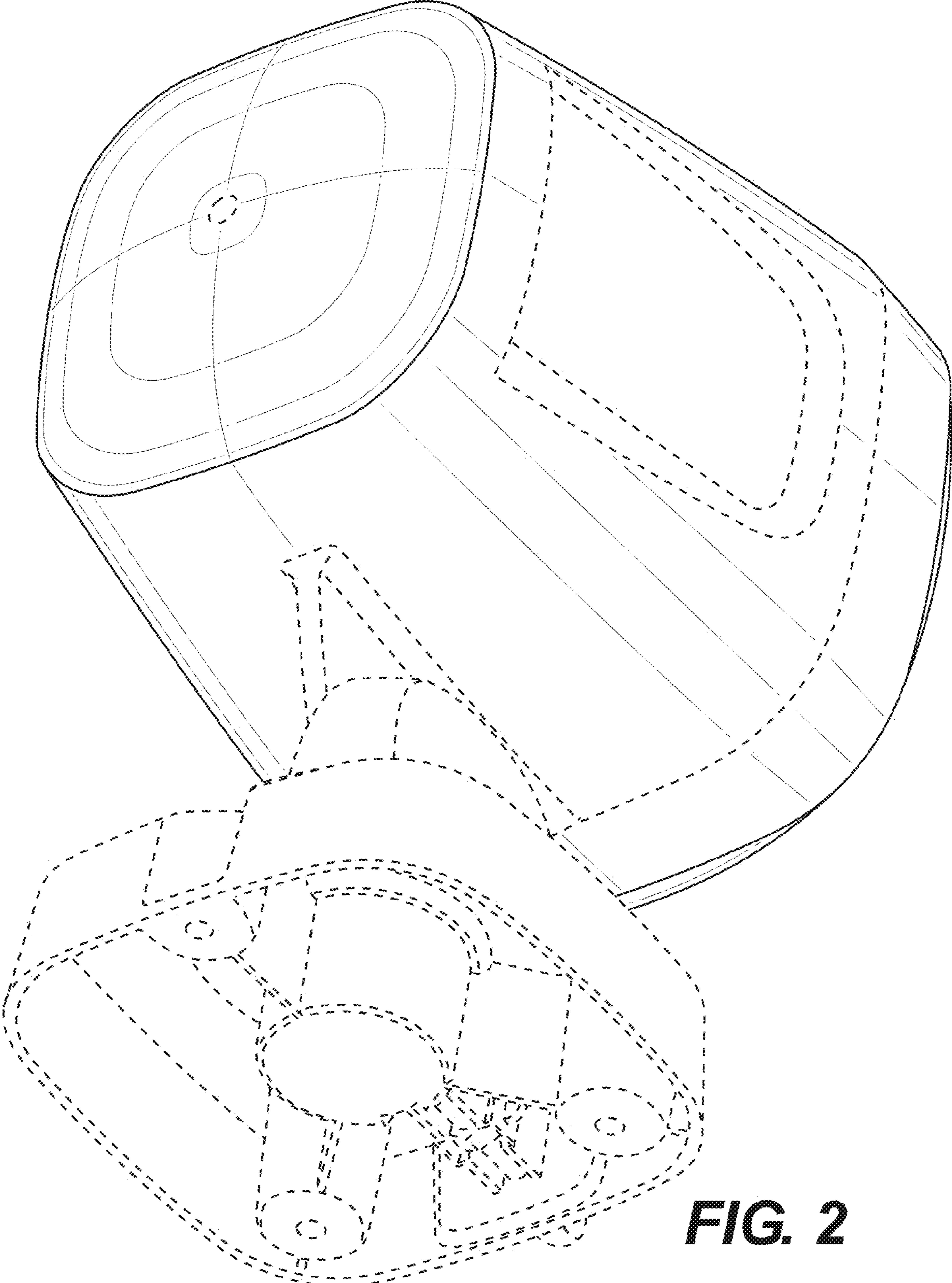


FIG. 2

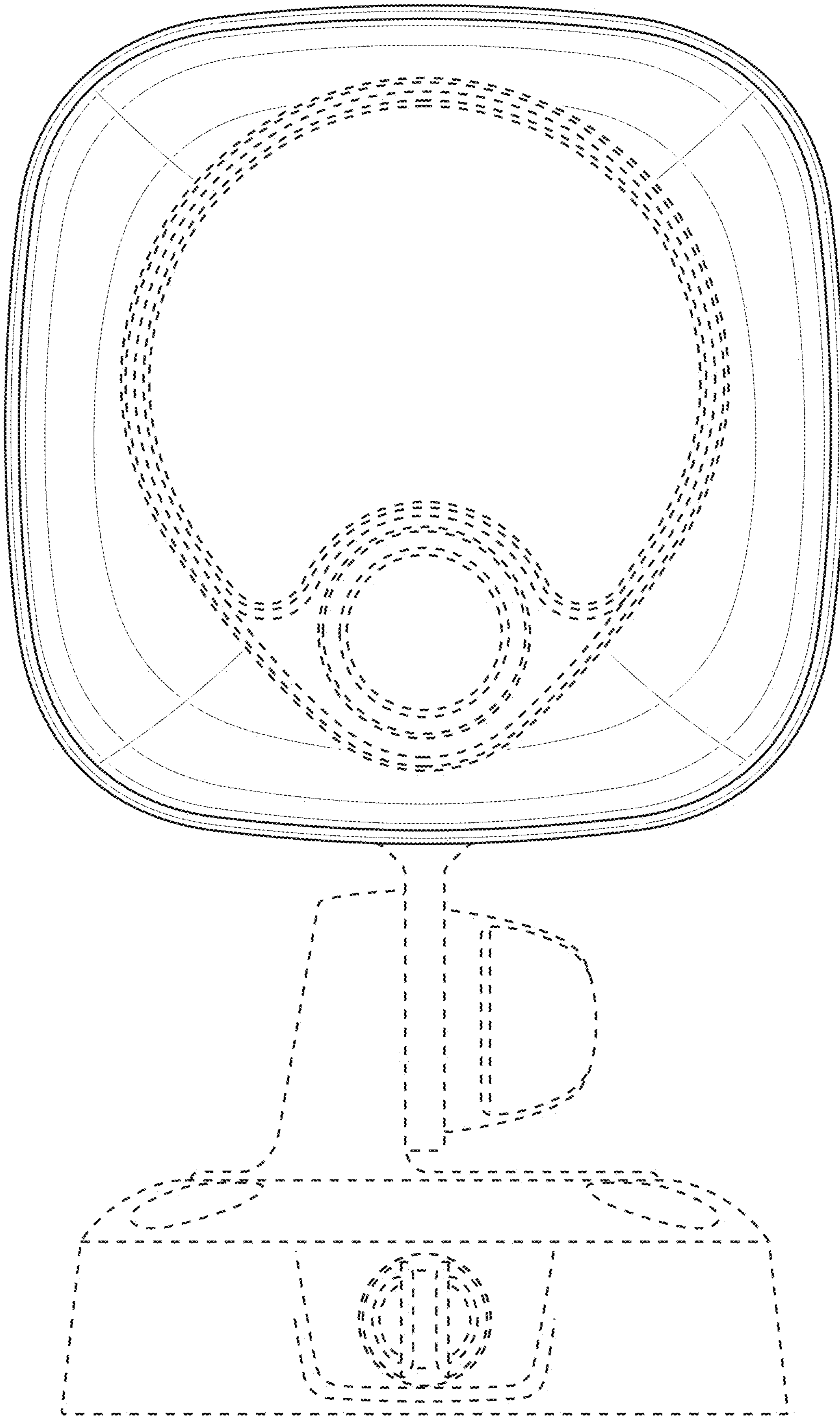


FIG. 3

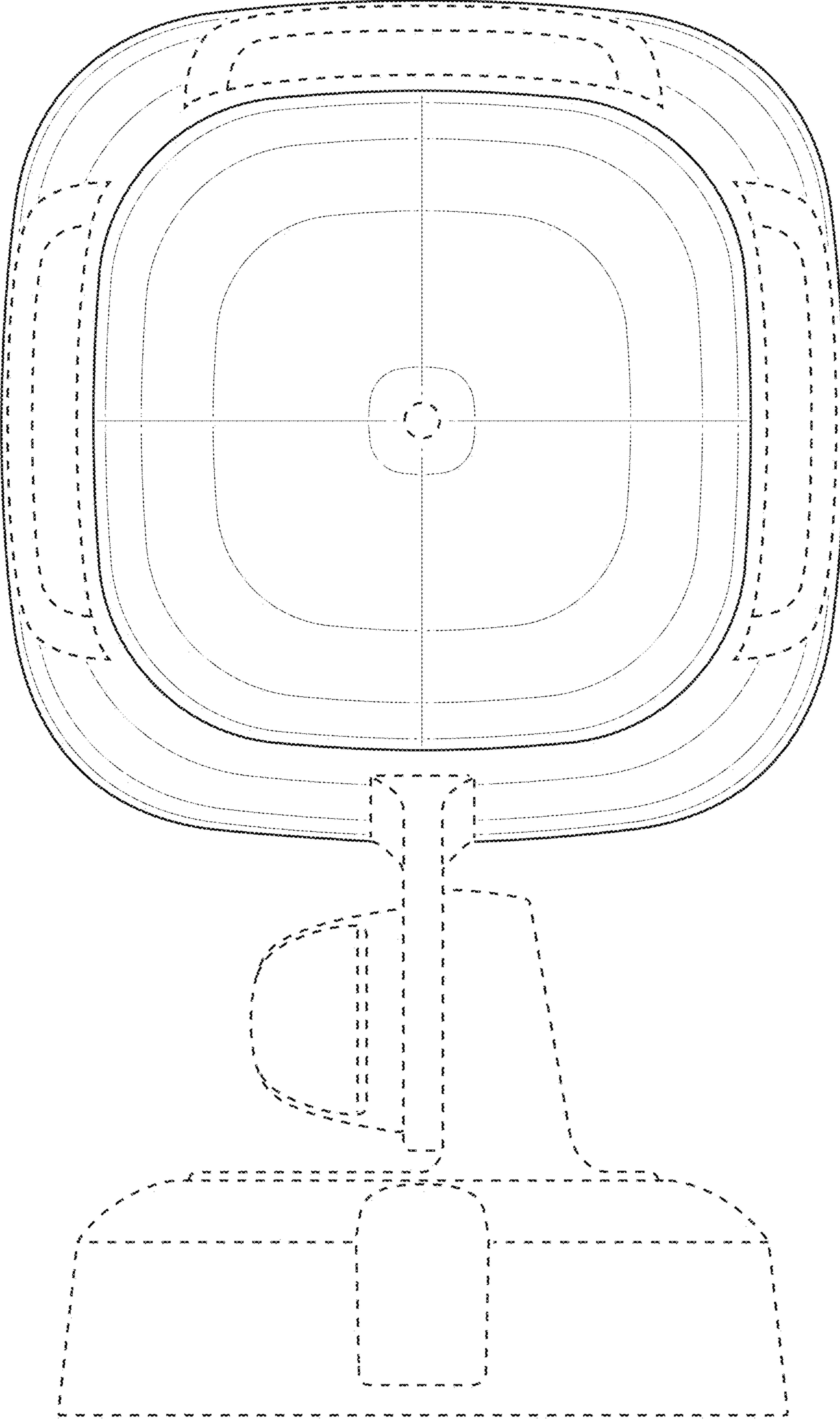


FIG. 4

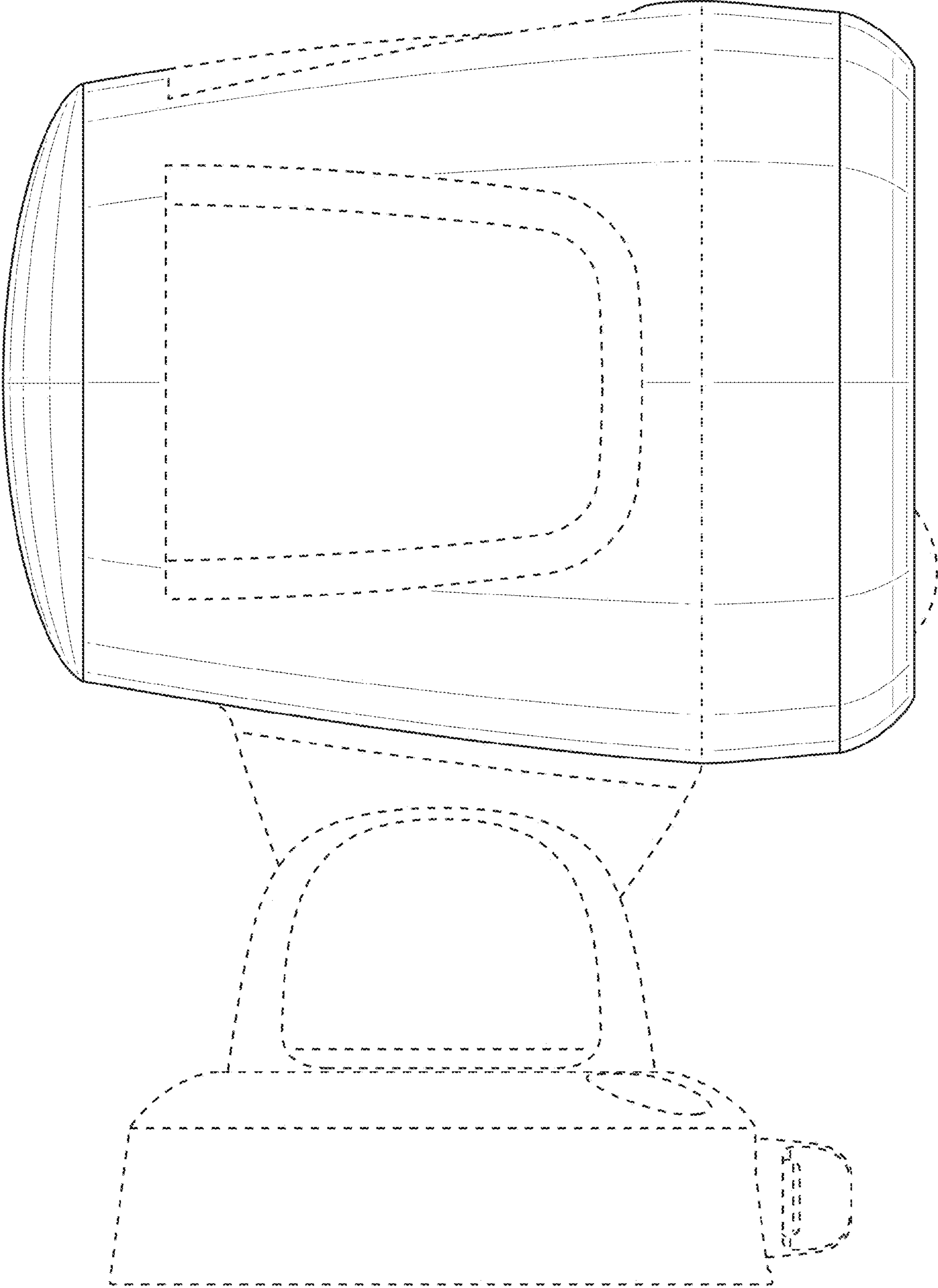


FIG. 5

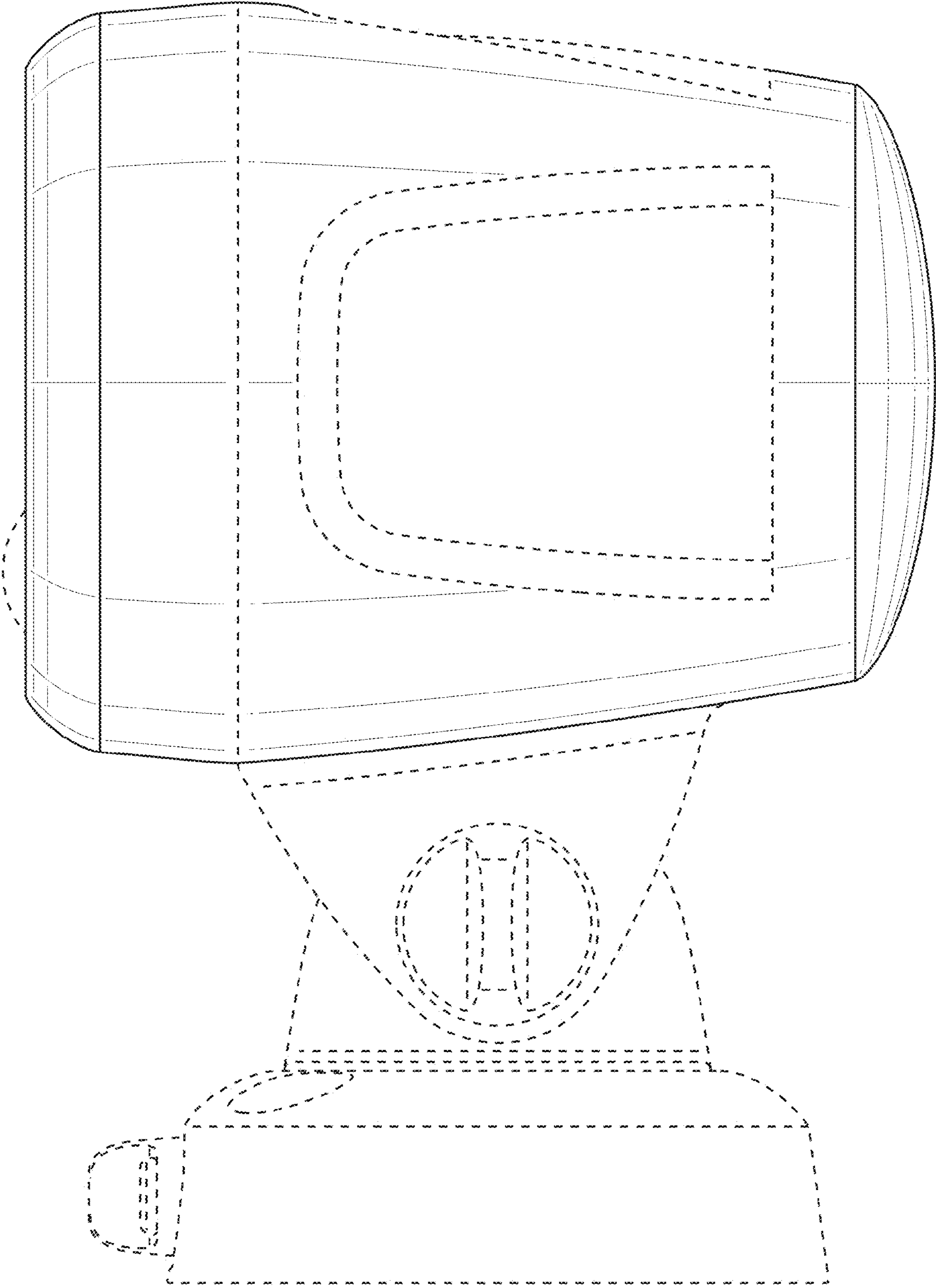


FIG. 6

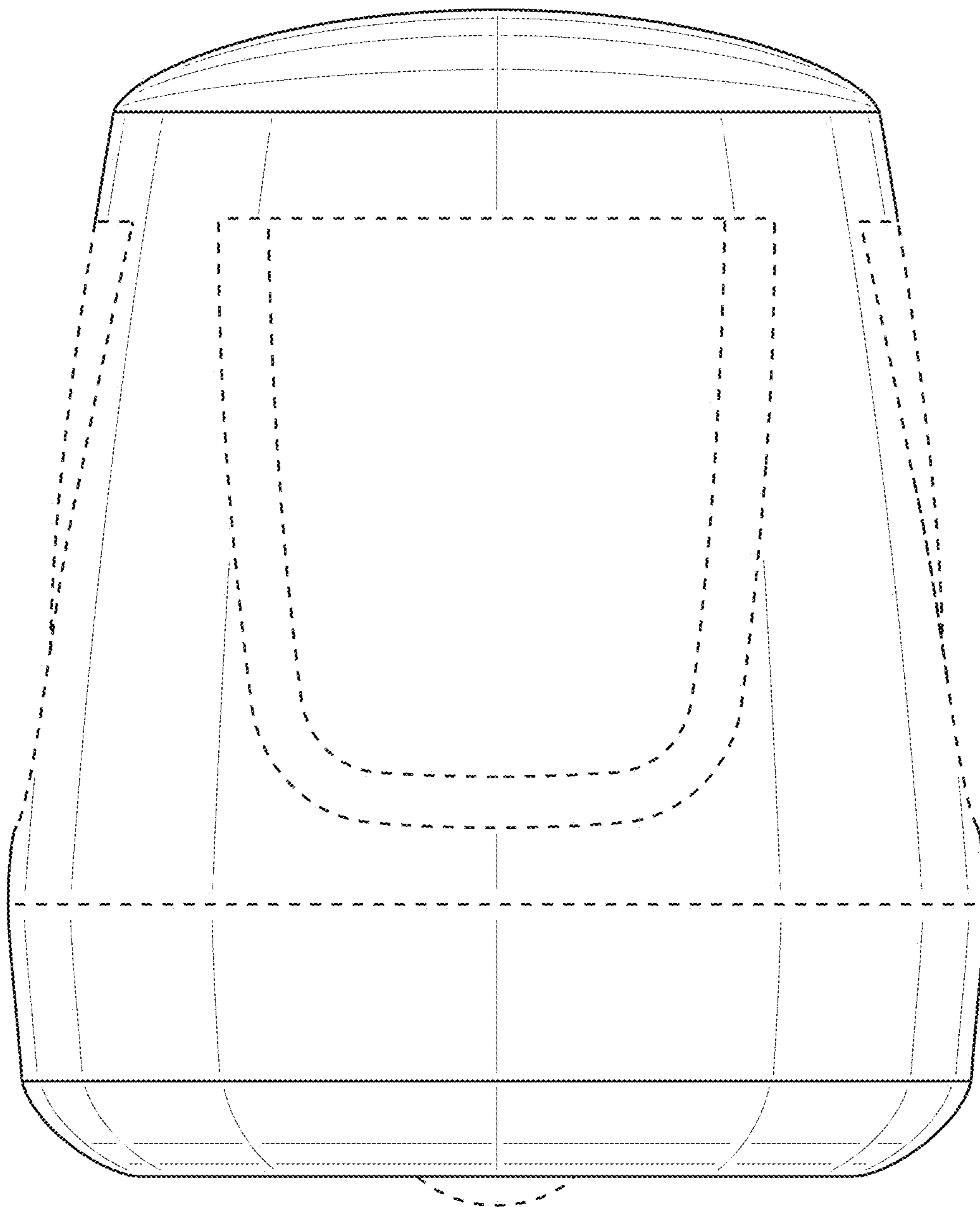


FIG. 7

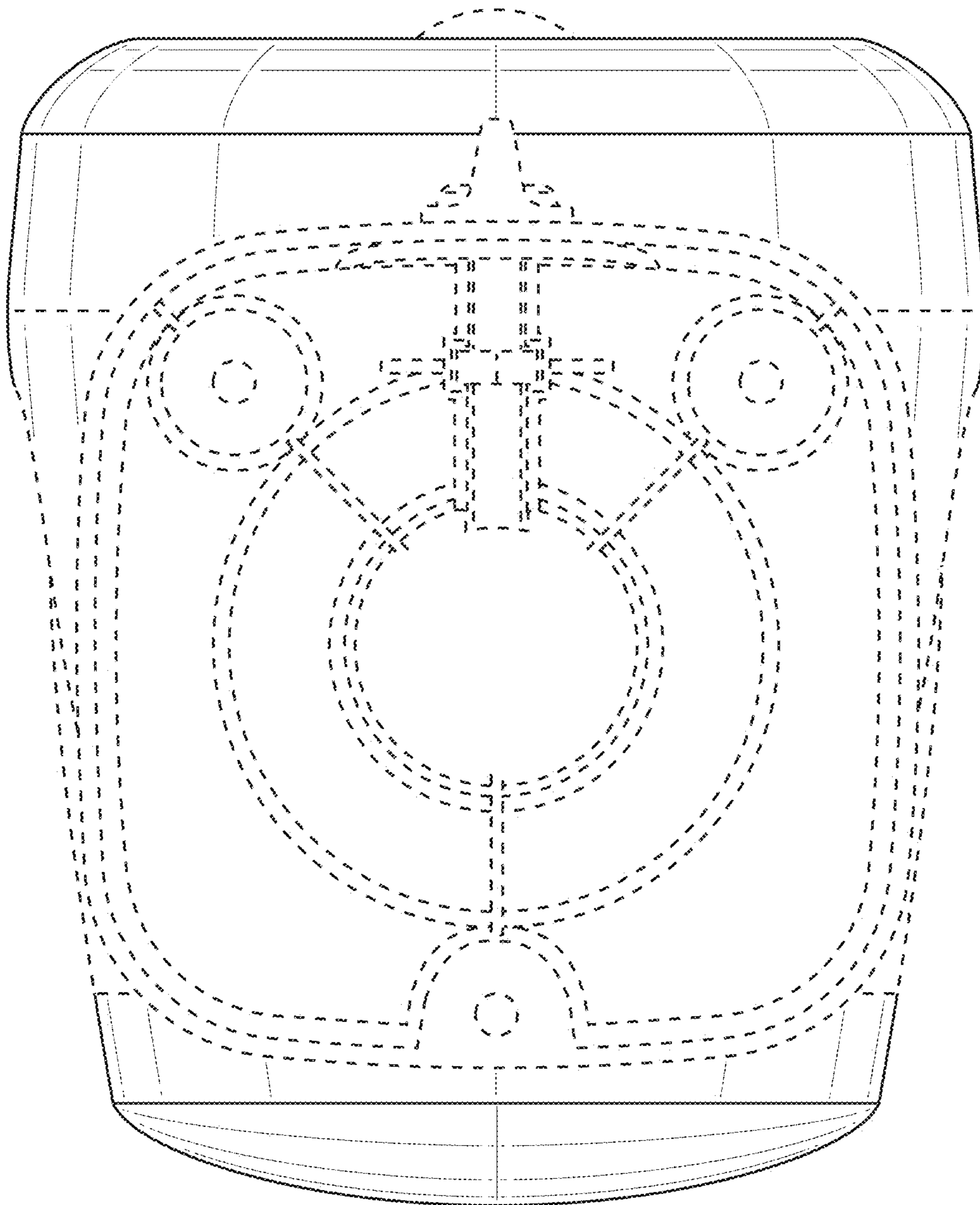


FIG. 8