



US00D903918S

(12) **United States Design Patent**
Pi et al.

(10) **Patent No.:** **US D903,918 S**

(45) **Date of Patent:** **** Dec. 1, 2020**

(54) **FLOODLIGHT**

(71) Applicants: **Bruce Pi**, Hunan (CN); **Wei Kang**, Hunan (CN)

(72) Inventors: **Bruce Pi**, Hunan (CN); **Wei Kang**, Hunan (CN)

(73) Assignee: **Zopoise Technology (Zhuzhou) CO., LTD.**, Hunan (CN)

(**) Term: **15 Years**

(21) Appl. No.: **29/692,148**

(22) Filed: **May 23, 2019**

(30) **Foreign Application Priority Data**

Apr. 10, 2019 (CN) 2019 3 0159269

(51) **LOC (12) Cl.** **26-03**

(52) **U.S. Cl.**
USPC **D26/63**

(58) **Field of Classification Search**
USPC D26/1, 24, 61, 63, 65, 85, 92
CPC . F21V 21/14; F21V 5/01; F21V 14/02; F21V 21/30; F21V 21/00; F21V 14/00; F21S 8/00; F21S 8/003; F21S 8/043; F21Y 2105/001

See application file for complete search history.

(56) **References Cited**

U.S. PATENT DOCUMENTS

D470,962 S *	2/2003	Chen	D26/63
D837,429 S *	1/2019	Yu	D26/63
D854,719 S *	7/2019	Zou	D26/63
D871,653 S *	12/2019	Zhuo	D26/63
D879,348 S *	3/2020	Recker	D26/63

* cited by examiner

Primary Examiner — Brian N. Vinson

(57) **CLAIM**

We claim the ornamental design for the floodlight, as shown and described.

DESCRIPTION

FIG. 1 is a perspective view of a floodlight showing my new design;

FIG. 2 is a front elevational view thereof;

FIG. 3 is a rear elevational view thereof;

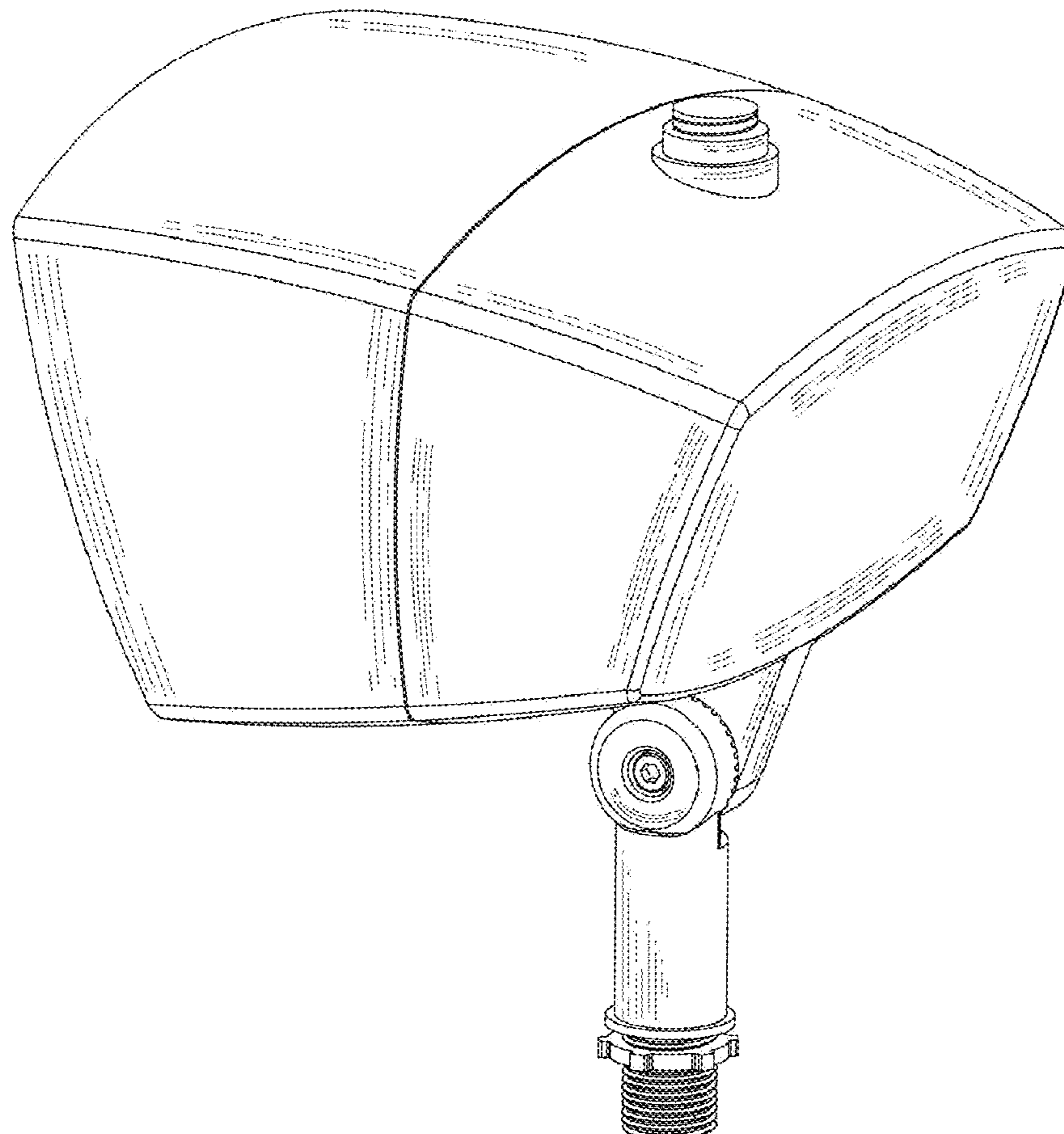
FIG. 4 is a left side elevational view thereof;

FIG. 5 is a right side elevational view thereof;

FIG. 6 is a top plan view thereof; and,

FIG. 7 is a bottom plan view thereof.

1 Claim, 7 Drawing Sheets



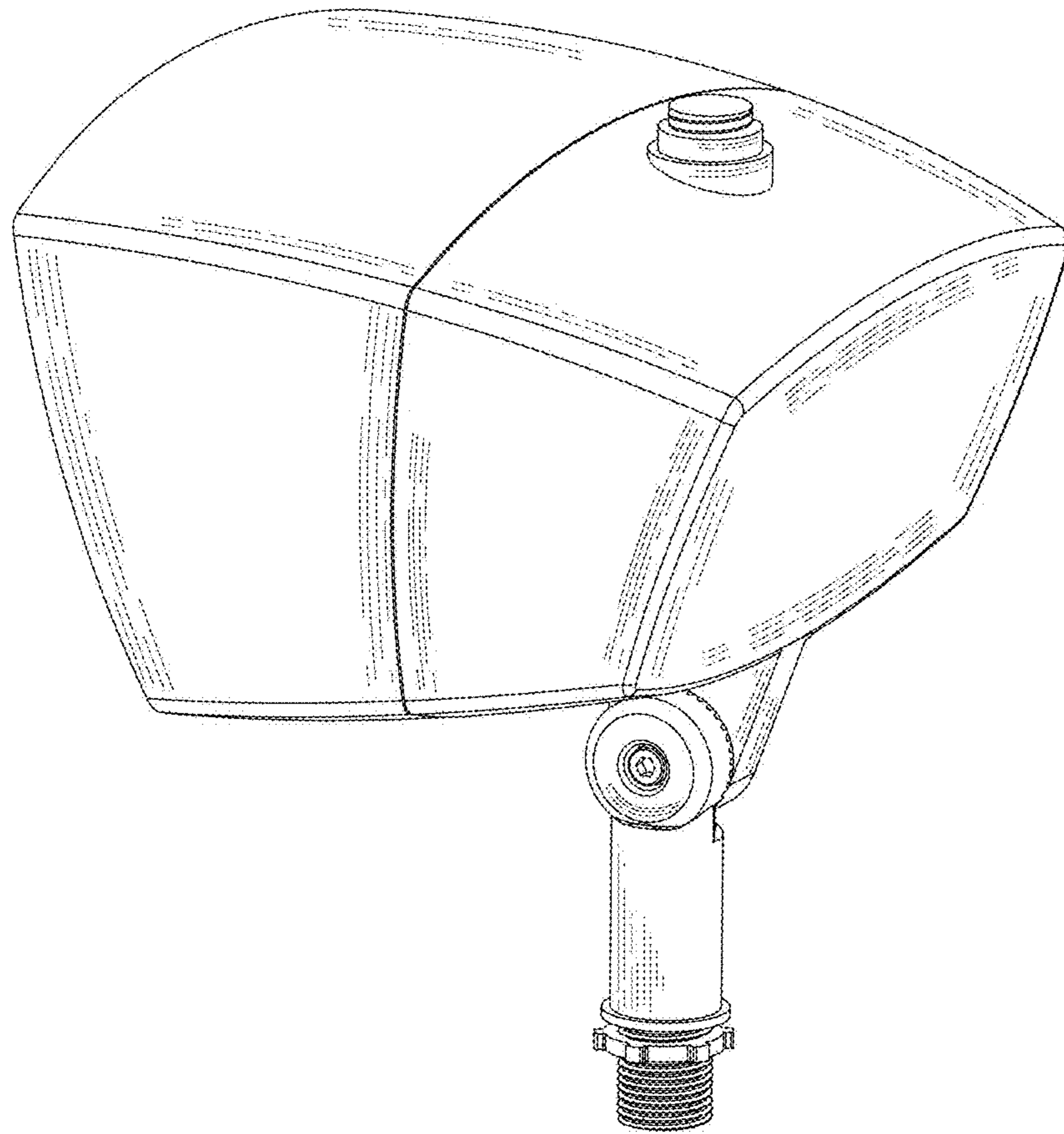


FIG. 1

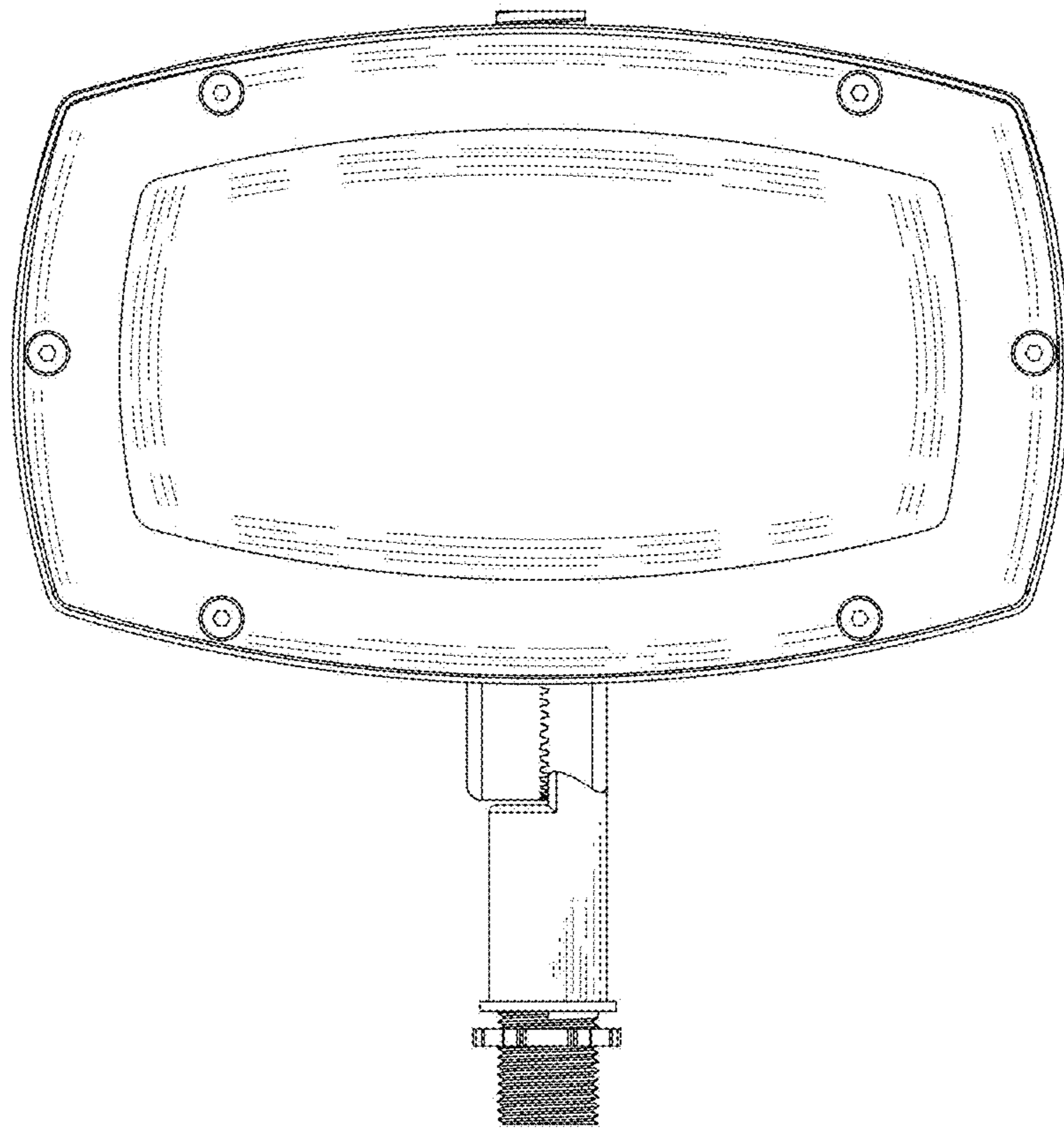


FIG. 2

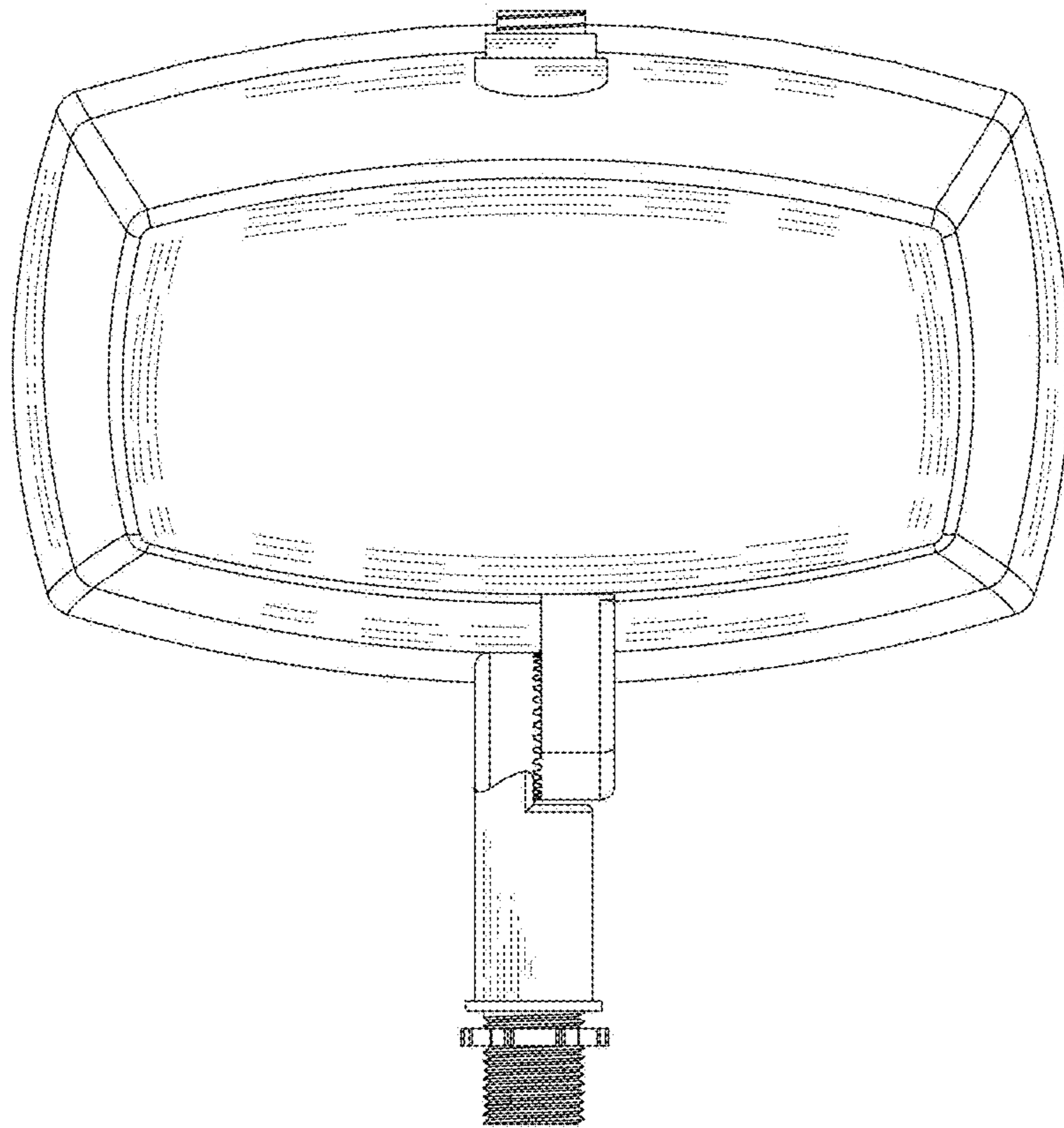


FIG. 3

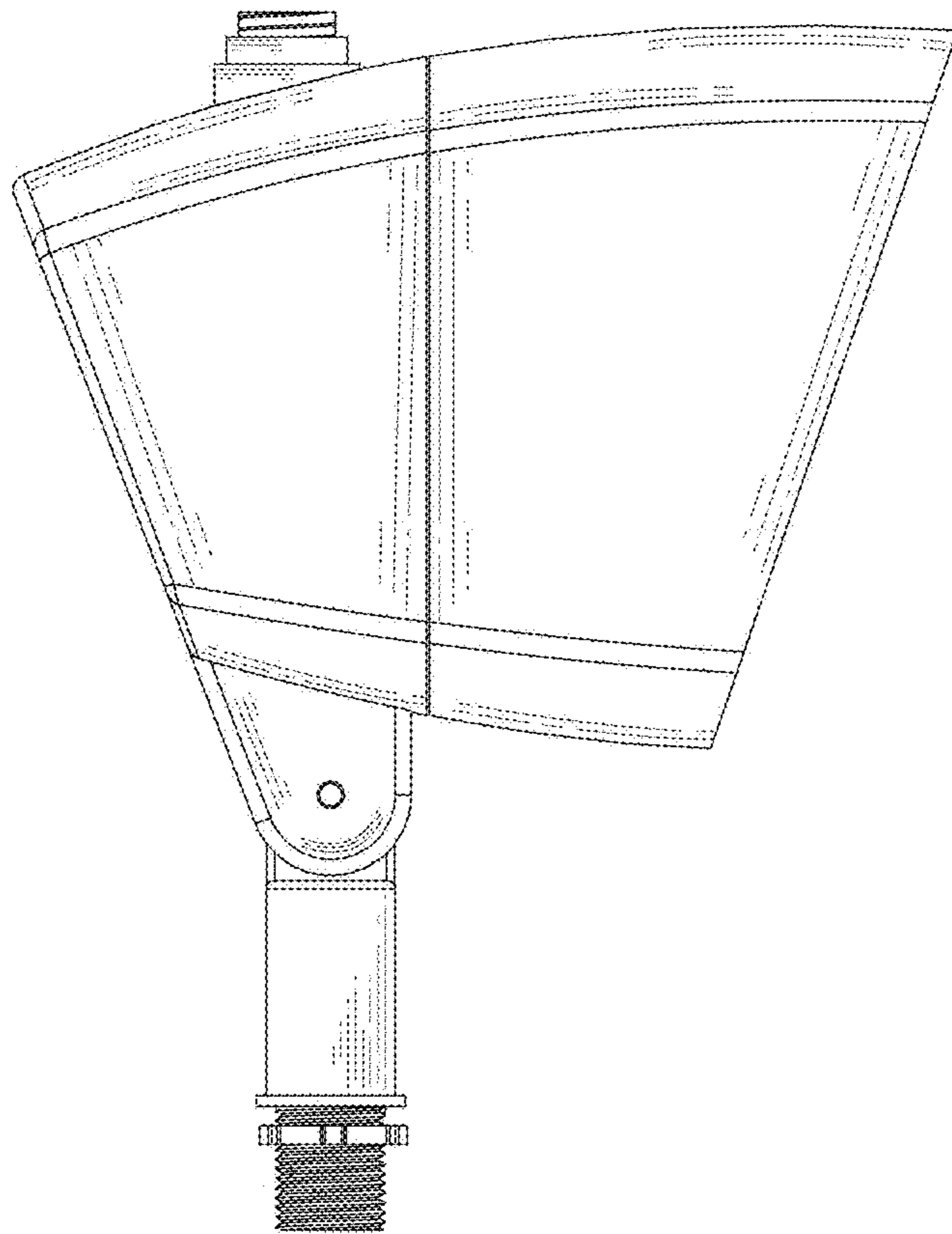


FIG. 4

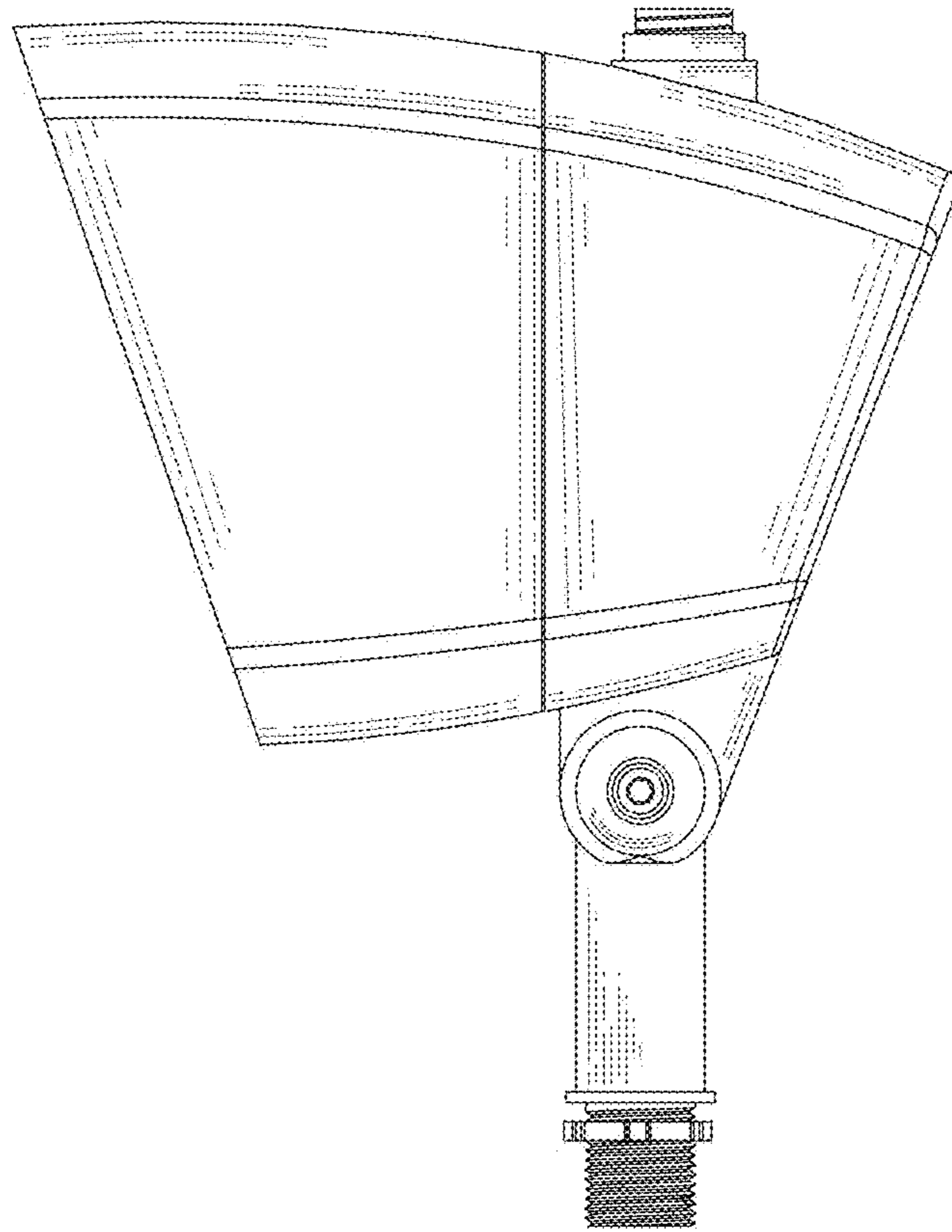


FIG. 5

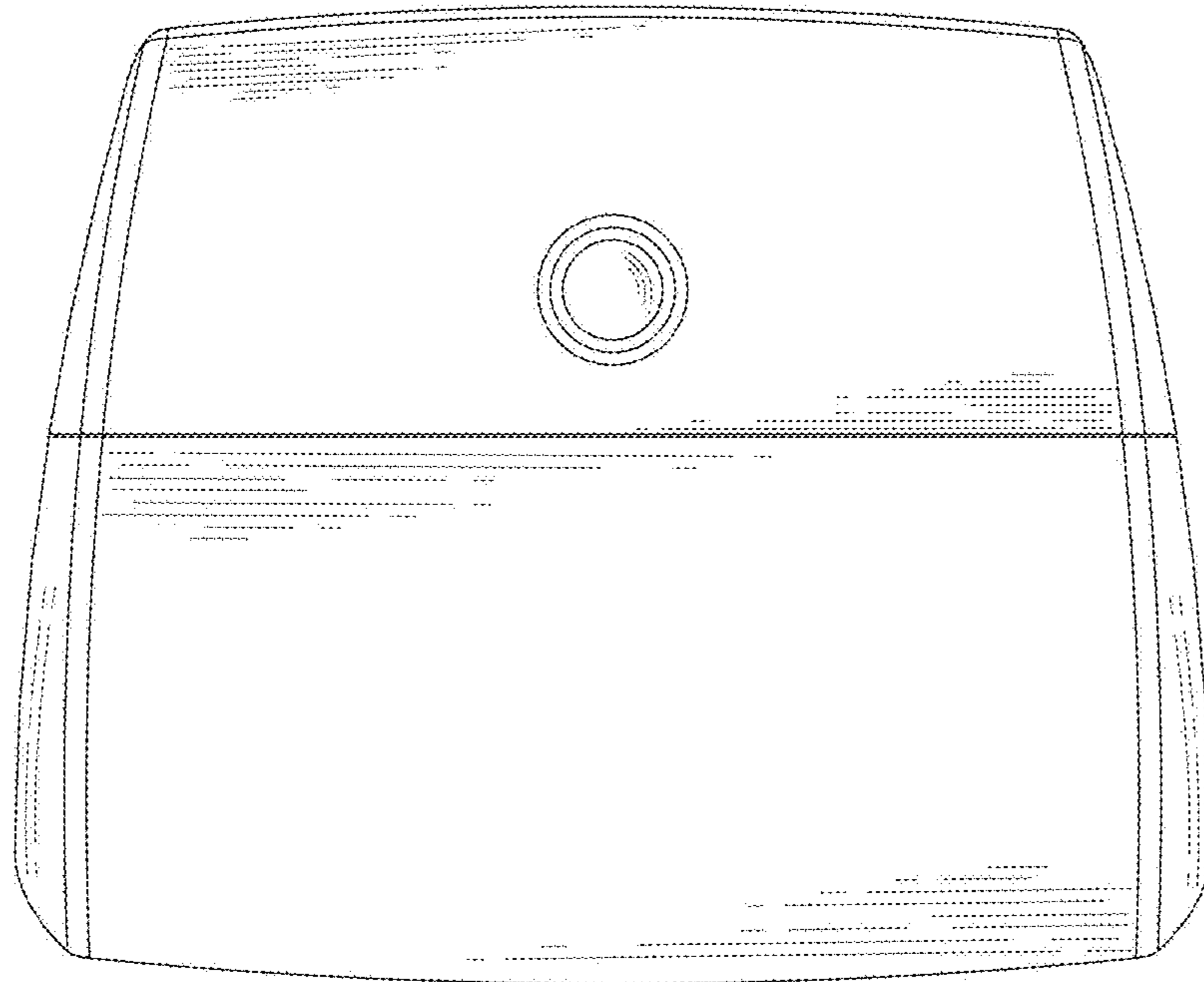


FIG. 6

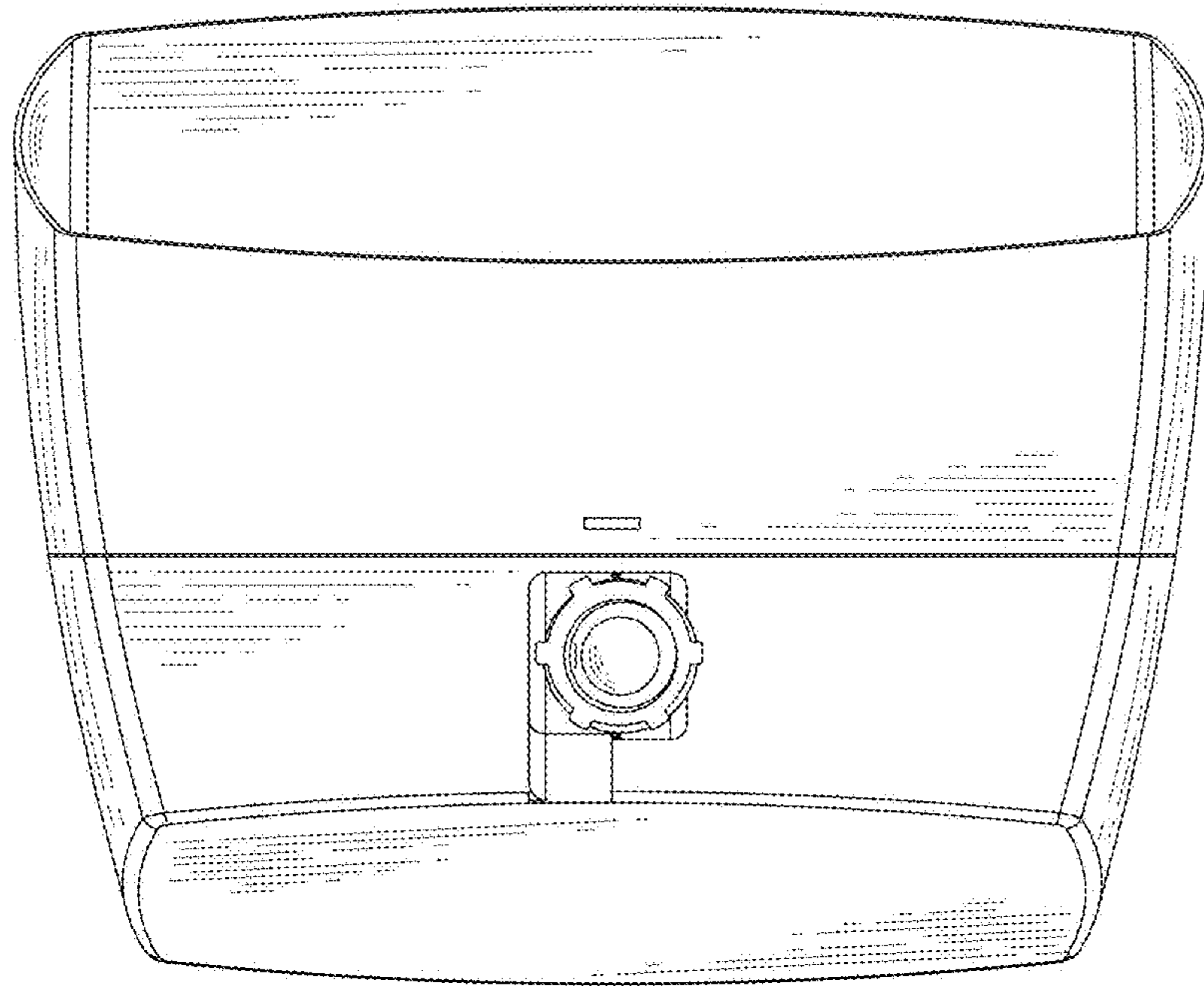


FIG. 7