



US00D903916S

(12) **United States Design Patent** (10) **Patent No.:** **US D903,916 S**
McRoberts (45) **Date of Patent:** **** Dec. 1, 2020**

(54) **CEILING FAN LIGHT KIT**
(71) Applicant: **HUNTER FAN COMPANY**,
Memphis, TN (US)
(72) Inventor: **Claire Bernice McRoberts**, La Jolla,
CA (US)
(73) Assignee: **Hunter Fan Company**, Memphis, TN
(US)

D315,205 S 3/1991 Cook
D328,491 S 8/1992 Markwardt
D344,794 S 3/1994 Galler
5,404,284 A 4/1995 Davis, Jr.
D394,323 S 5/1998 West
D434,323 S 11/2000 Pattison
D451,640 S 12/2001 Adams
D463,207 S 9/2002 Norris et al.
D483,463 S 12/2003 Tai
D485,349 S 1/2004 Burns

(Continued)

(**) Term: **15 Years**

OTHER PUBLICATIONS

(21) Appl. No.: **29/722,726**

<http://www.montecarlofans.com/33294/44-Centro-Max-II-5CQM44PN.html>, Item Specification for The Monte Carlo Centro Max II, Product #: 5CQM44PN, 52 Inch Canfield Ceiling Fan 300117WH (White), accessed Mar. 3, 2016.

(22) Filed: **Jan. 31, 2020**

(Continued)

Related U.S. Application Data

(63) Continuation of application No. 29/621,457, filed on Oct. 9, 2017, now Pat. No. Des. 877,381, which is a continuation of application No. 29/556,851, filed on Mar. 3, 2016, now Pat. No. Des. 804,011.

Primary Examiner — Cathron C Brooks
Assistant Examiner — Sharon S Oum
(74) *Attorney, Agent, or Firm* — McGarry Bair PC

(51) **LOC (12) Cl.** **26-05**

(57) **CLAIM**

(52) **U.S. Cl.**
USPC **D26/59**; D23/411

The ornamental design for a ceiling fan light kit, as shown and described.

(58) **Field of Classification Search**
USPC D23/370–385, 411–414; D26/59, 85, 86,
D26/89, 90

DESCRIPTION

CPC F04D 25/088; F04D 29/38; F04D 29/384;
F04D 29/386; F21V 33/0096
See application file for complete search history.

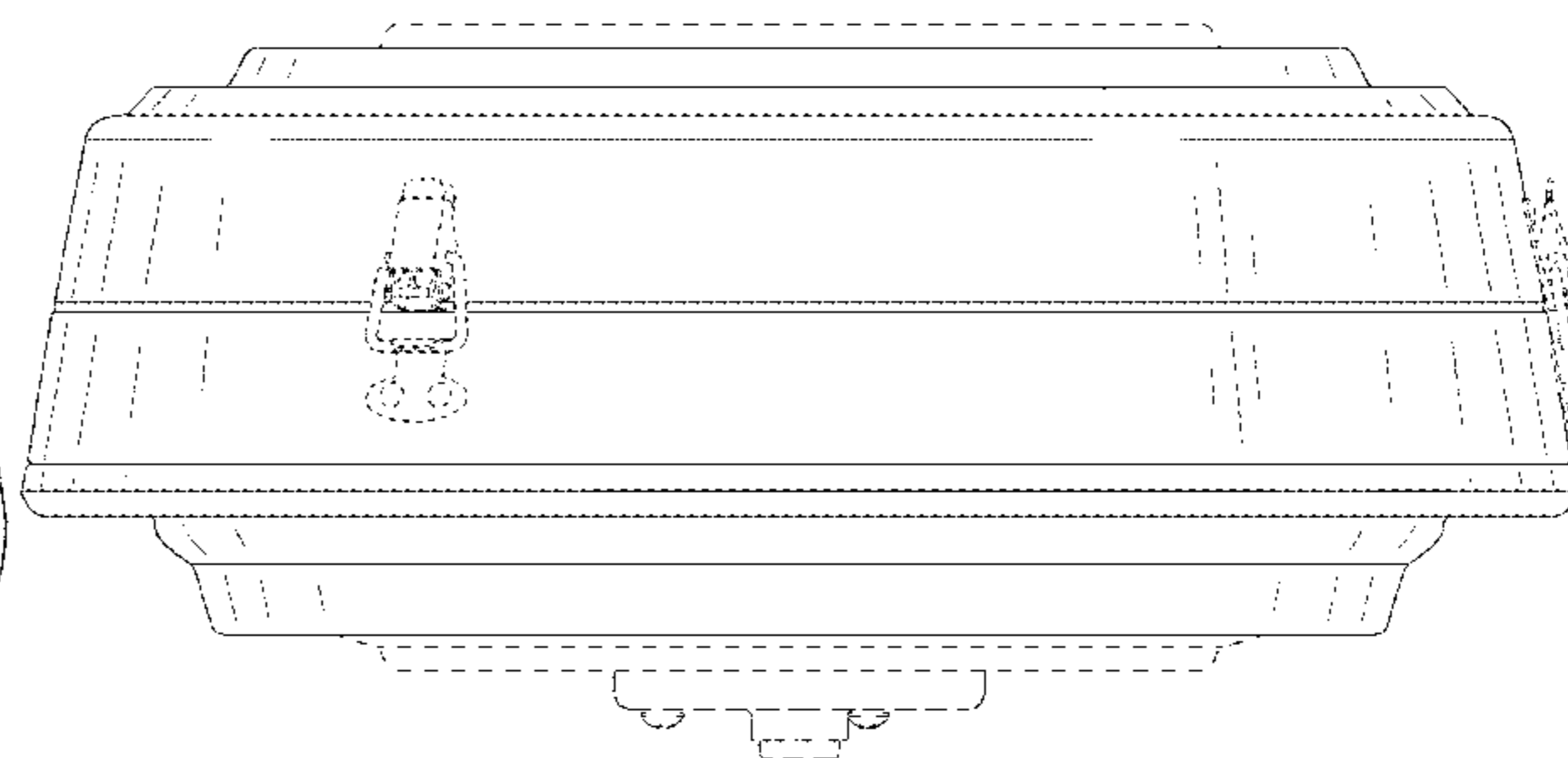
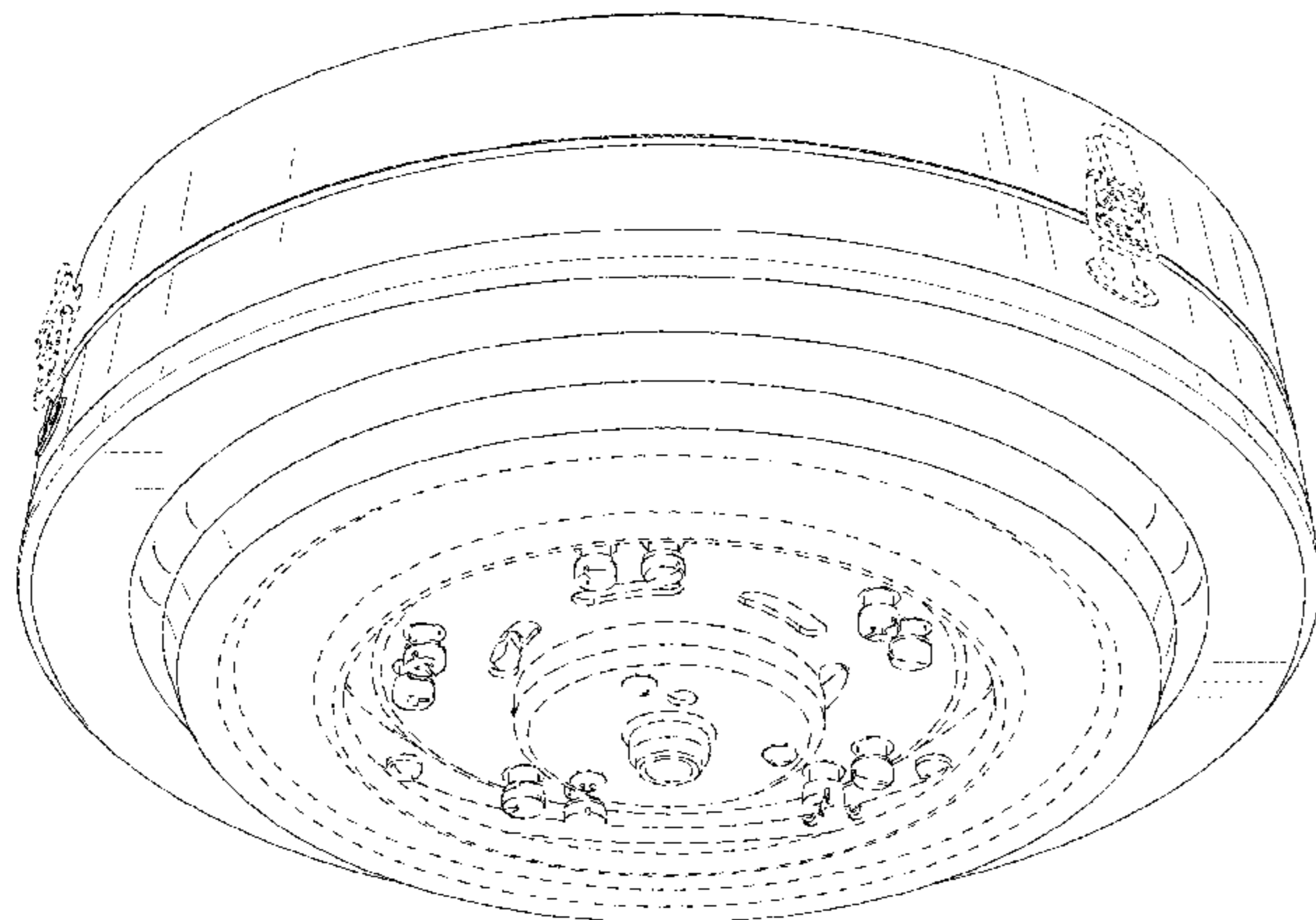
FIG. 1 is a top perspective view of a ceiling fan light kit showing my new design;
FIG. 2 is a bottom perspective view thereof;
FIG. 3 is a top view thereof;
FIG. 4 is a bottom view thereof;
FIG. 5 is a front view thereof;
FIG. 6 is a rear view thereof;
FIG. 7 is a left side view thereof; and,
FIG. 8 is a right side view thereof.
Portions of the ceiling fan light kit shown in broken lines form no part of the claimed design.

(56) **References Cited**

U.S. PATENT DOCUMENTS

D40,300 S 10/1909 Schneider
D40,302 S 10/1909 Schneider
D47,800 S 9/1915 Pick
D109,331 S 4/1938 McManus et al.
D172,688 S 7/1954 Ruskin
D252,532 S 7/1979 Glassman
D294,870 S 3/1988 Hsu

1 Claim, 8 Drawing Sheets



(56)

References Cited

U.S. PATENT DOCUMENTS

D486,215 S 2/2004 Hsieh
 D489,810 S 5/2004 Burns
 D499,478 S 12/2004 Thomas, Jr.
 D504,501 S 4/2005 Young
 D520,668 S 5/2006 Brunner
 D533,655 S 12/2006 Glasbrenner
 D533,937 S 12/2006 Pan
 D535,421 S 1/2007 Pickett
 D549,385 S 8/2007 Lissoni
 D567,421 S 4/2008 Pan
 D611,346 S 3/2010 Camomile
 D613,890 S 4/2010 Chen
 7,798,357 B2 9/2010 Hanafusa et al.
 D627,046 S 11/2010 Wang
 D627,048 S 11/2010 Shurtleff
 D627,049 S 11/2010 Glasbrenner
 D632,382 S 2/2011 Pan
 D671,202 S * 11/2012 Searle D23/377
 D671,631 S * 11/2012 Searle D23/411
 D721,113 S 1/2015 Huang
 D722,402 S 2/2015 Orozco
 D760,419 S 6/2016 Vidmar
 D773,714 S 12/2016 Sonneman
 D774,680 S 12/2016 Vidmar
 D779,102 S 2/2017 Garraton
 D786,479 S 5/2017 Dolan
 D786,480 S 5/2017 Dolan
 D786,495 S 5/2017 Dolan
 D788,544 S 6/2017 Seiders et al.
 D804,011 S * 11/2017 Holmes D23/377
 D810,912 S * 2/2018 McRoberts D23/377
 D810,914 S * 2/2018 Badarello D23/377
 D825,812 S 8/2018 Wright
 D841,867 S 2/2019 Lee et al.
 D857,279 S 8/2019 Grcic
 D860,430 S 9/2019 Orozco
 D864,461 S 10/2019 Pickett

D872,849 S * 1/2020 Holmes D23/377
 D872,851 S * 1/2020 Holmes D23/411
 D874,636 S * 2/2020 Holmes Bradley D23/377
 D875,980 S 2/2020 O'Connell et al.
 D876,698 S 2/2020 Hidalgo
 D877,381 S 3/2020 McRoberts
 D878,540 S * 3/2020 Holmes D23/377
 2004/0022636 A1 2/2004 Bilskie
 2010/0117553 A1 5/2010 Lee
 2012/0025705 A1 2/2012 Chang
 2014/0268803 A1 9/2014 Keng

OTHER PUBLICATIONS

<http://www.kichler.com/products/product/52-inch-canfield-ceiling-fan-wh-300117wh.aspx>, Item Specification for The Kichler Canfield 52 Inch Canfield Ceiling Fan 300117WH (White), accessed Mar. 3, 2016.
<http://www.minkagroup.net/products/f614-dbb>, Item Specification for The MinkaAire Timeless 54" 5 Blade in Dark Brushed Bronze Finish w/Dark Maple Blades Model #F614-DBB, accessed Mar. 3, 2016.
<http://ceilingfans.emerson.com/shop/en/fan/fans-s-emerson-fans/emerson-fans-browse-all/ashland-fan-p-cf717>, Item Specification for The Emerson Ashland Model #CF717ORB, accessed Mar. 3, 2016.
http://www.fanimation.com/products/edgewood_deluxe/, Item Specification for The Fanimation Edgewood Model No. TF610, accessed Mar. 3, 2016.
<http://www.kingoffans.com/#/products>, Item Specification for The King of Fans Chardonnay Model #51528, accessed Mar. 3, 2016.
<https://www.etsy.com/listing/152096263/mason-jar-ceiling-fan-light-kit-only>, Item Specification for The LampGoods Mason Jar Ceiling Fan (Light Kit Only), accessed Mar. 3, 2016.
<http://www.craftmade.com/Collections-by-Craftmade.HTML>, Item Specification for The Craftmade Trenton Model # TRE54ESP5, accessed Mar. 3, 2016.

* cited by examiner

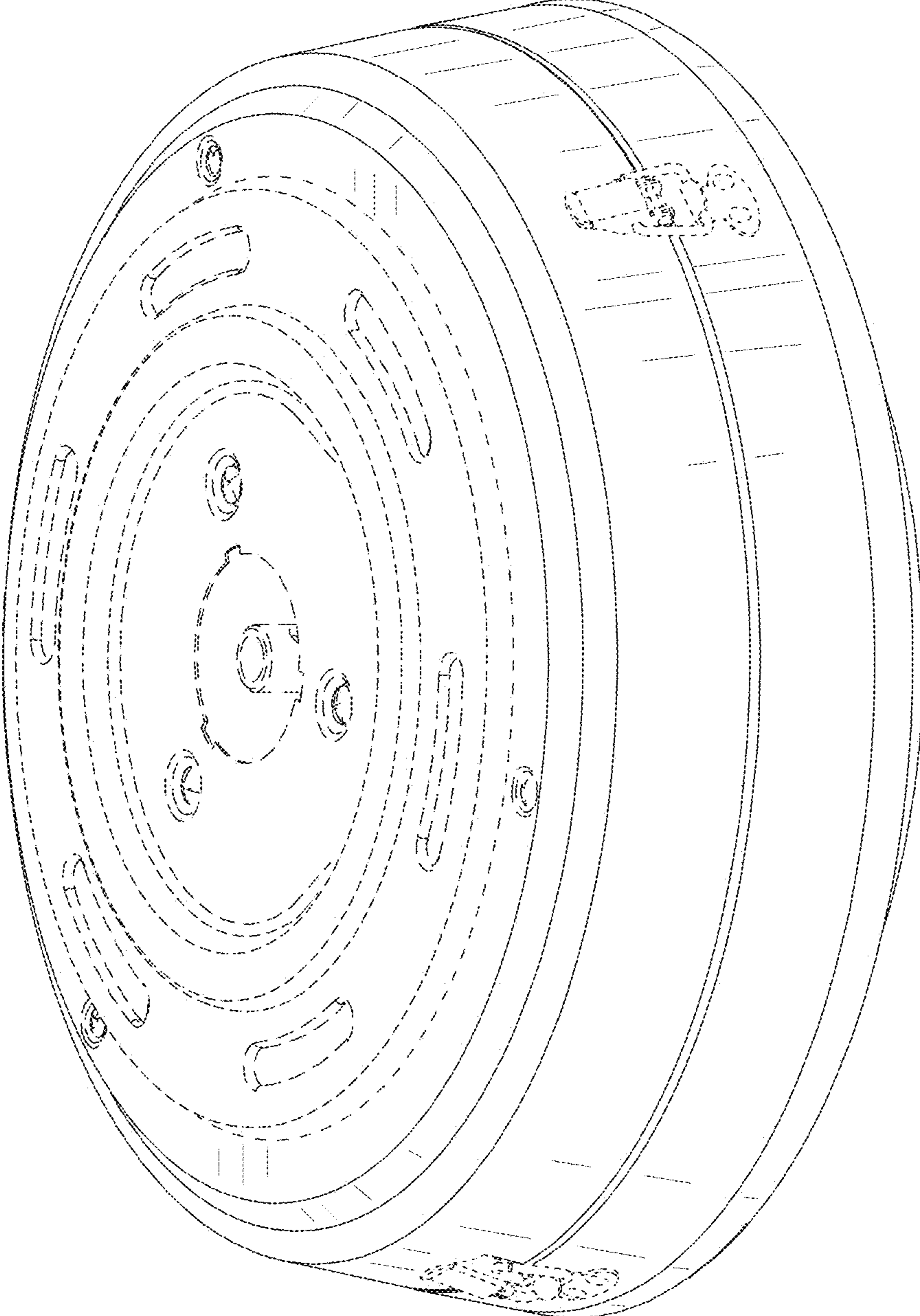


FIG. 1

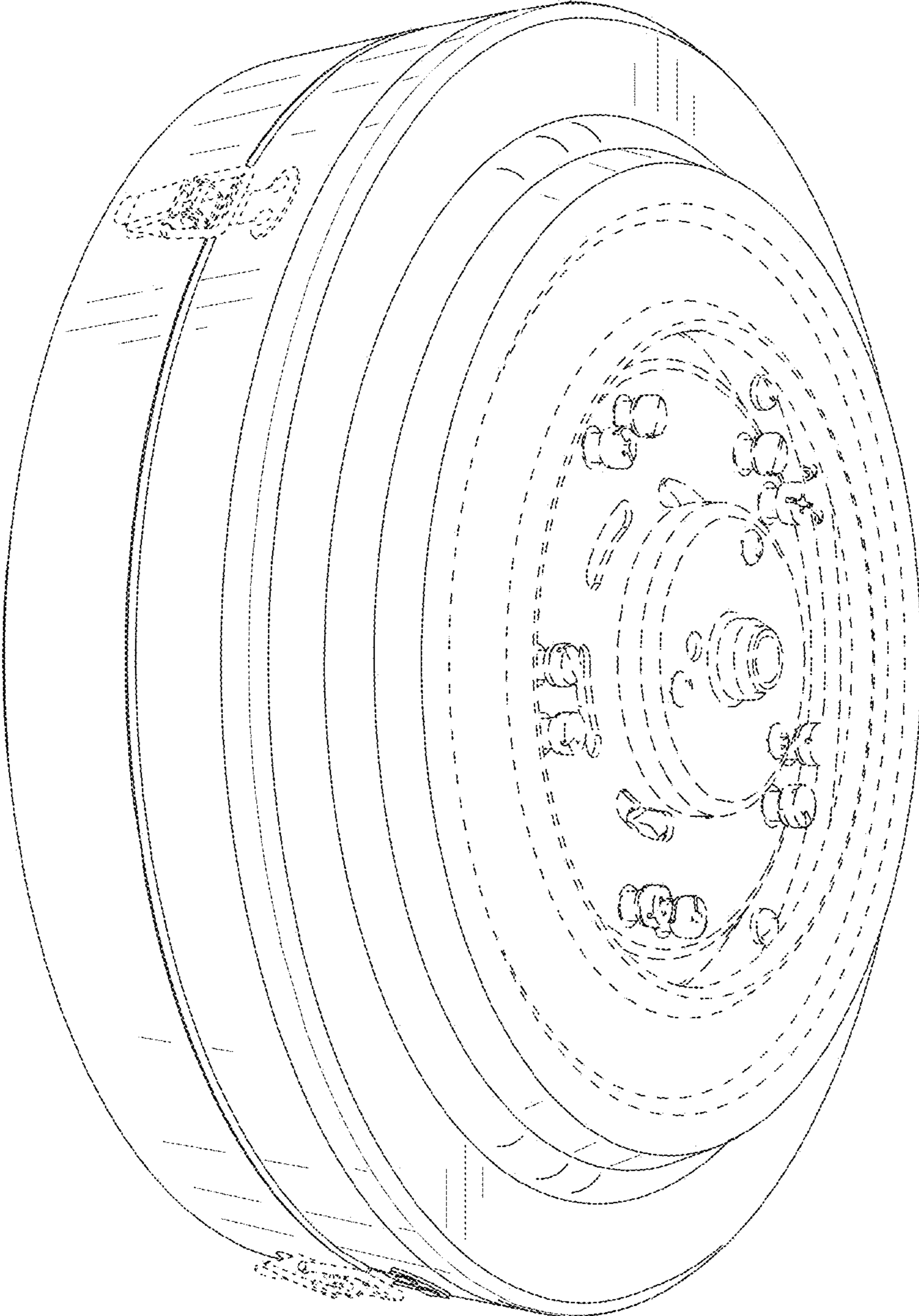


FIG. 2

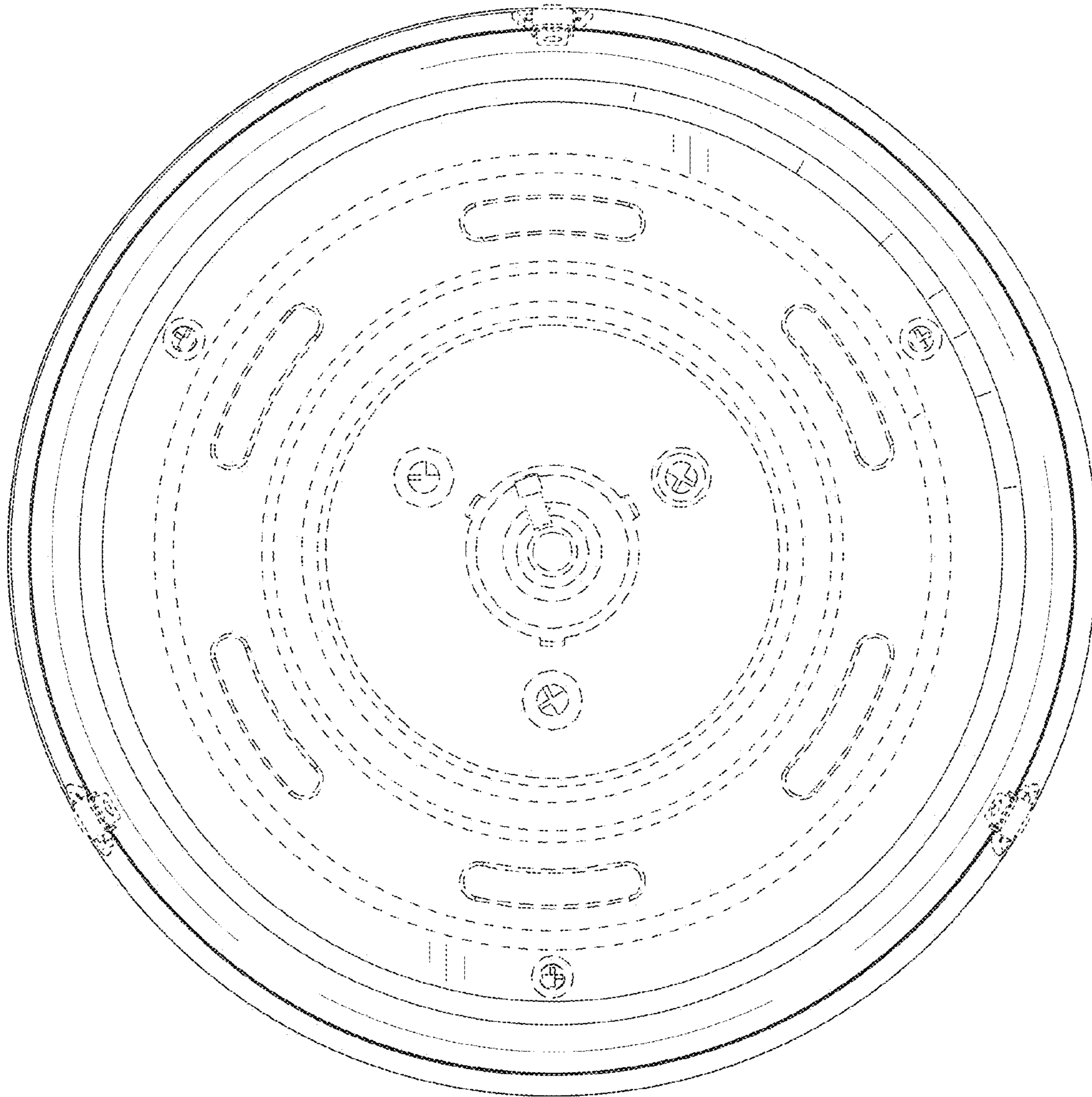


FIG. 3

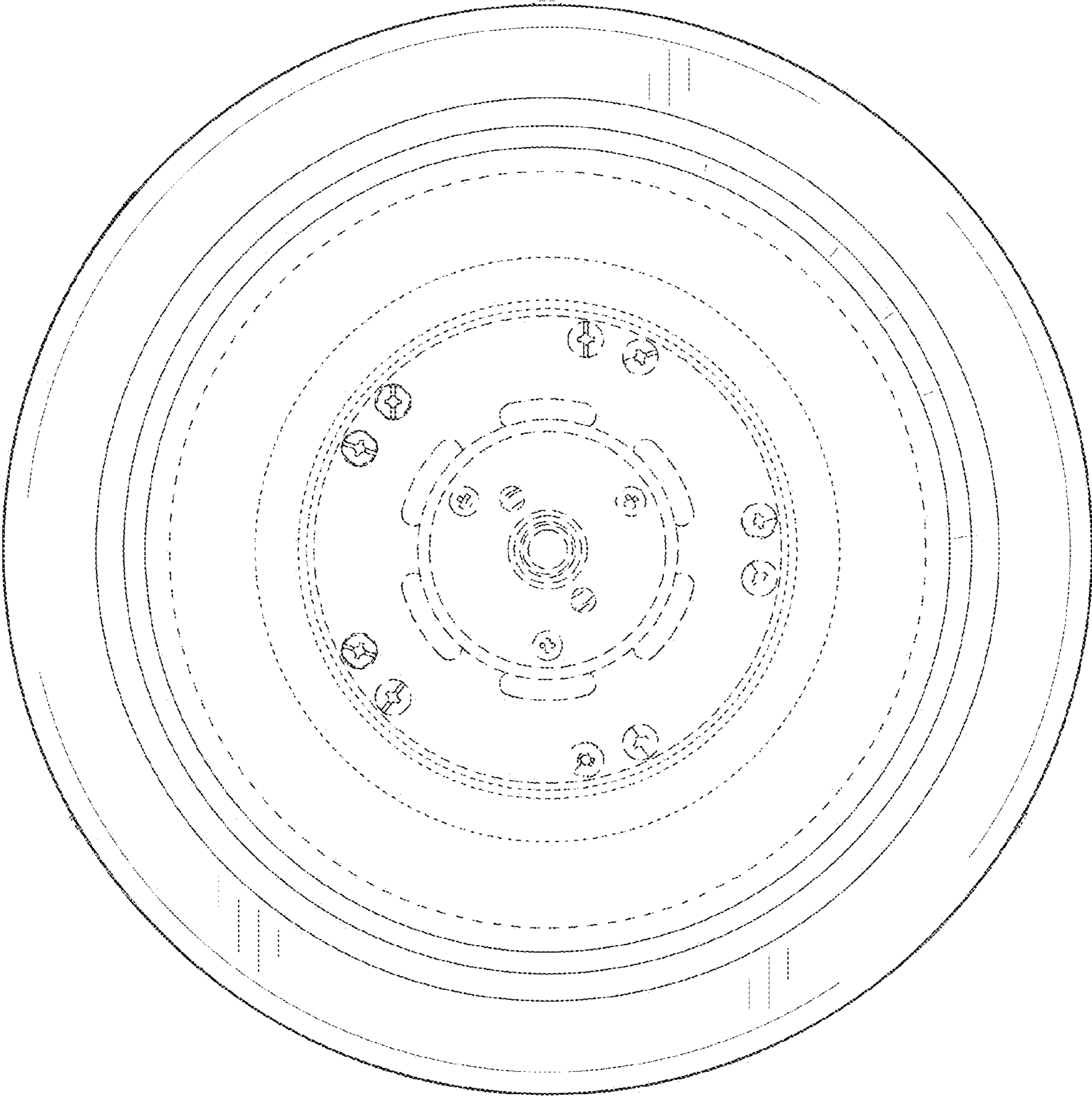


FIG. 4

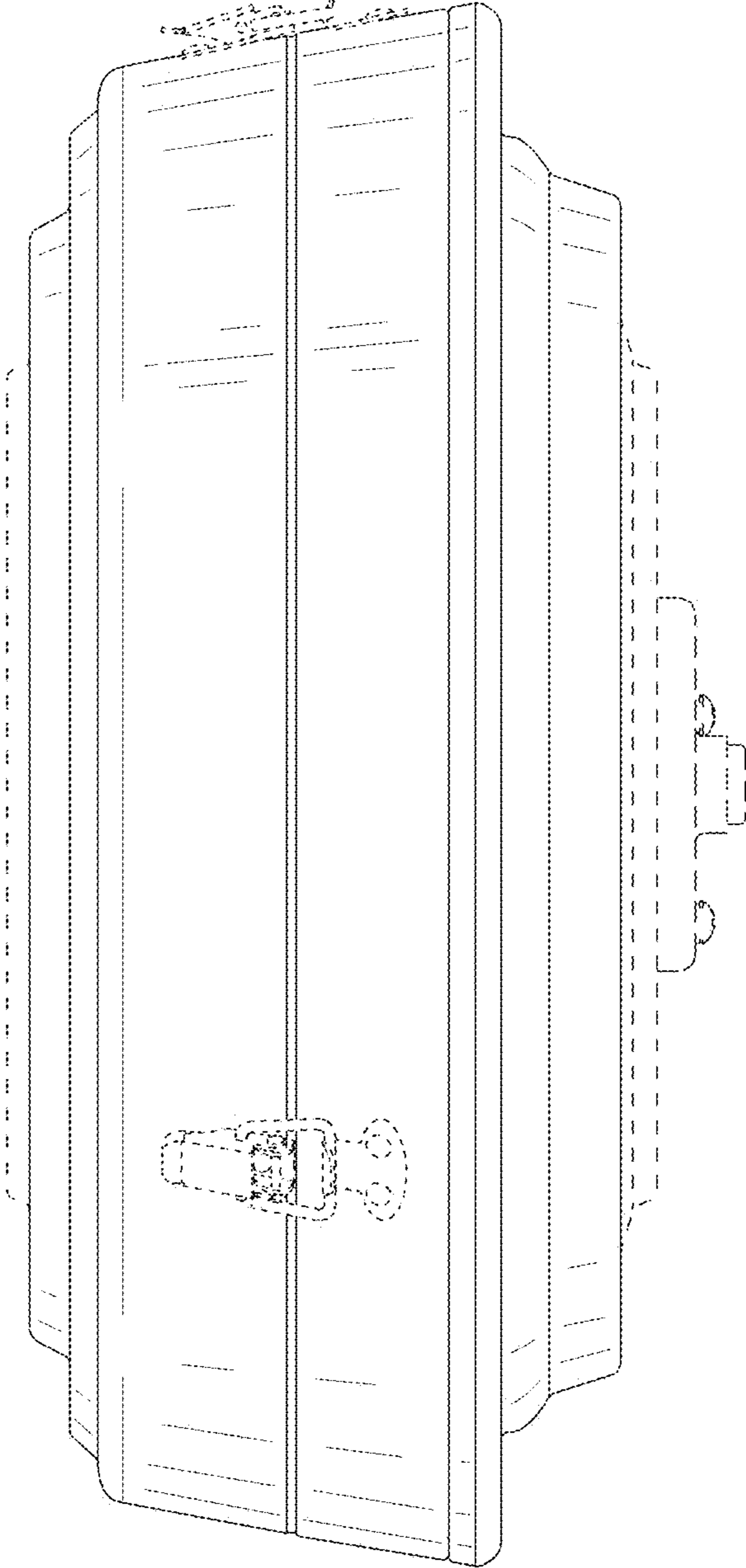


FIG. 5

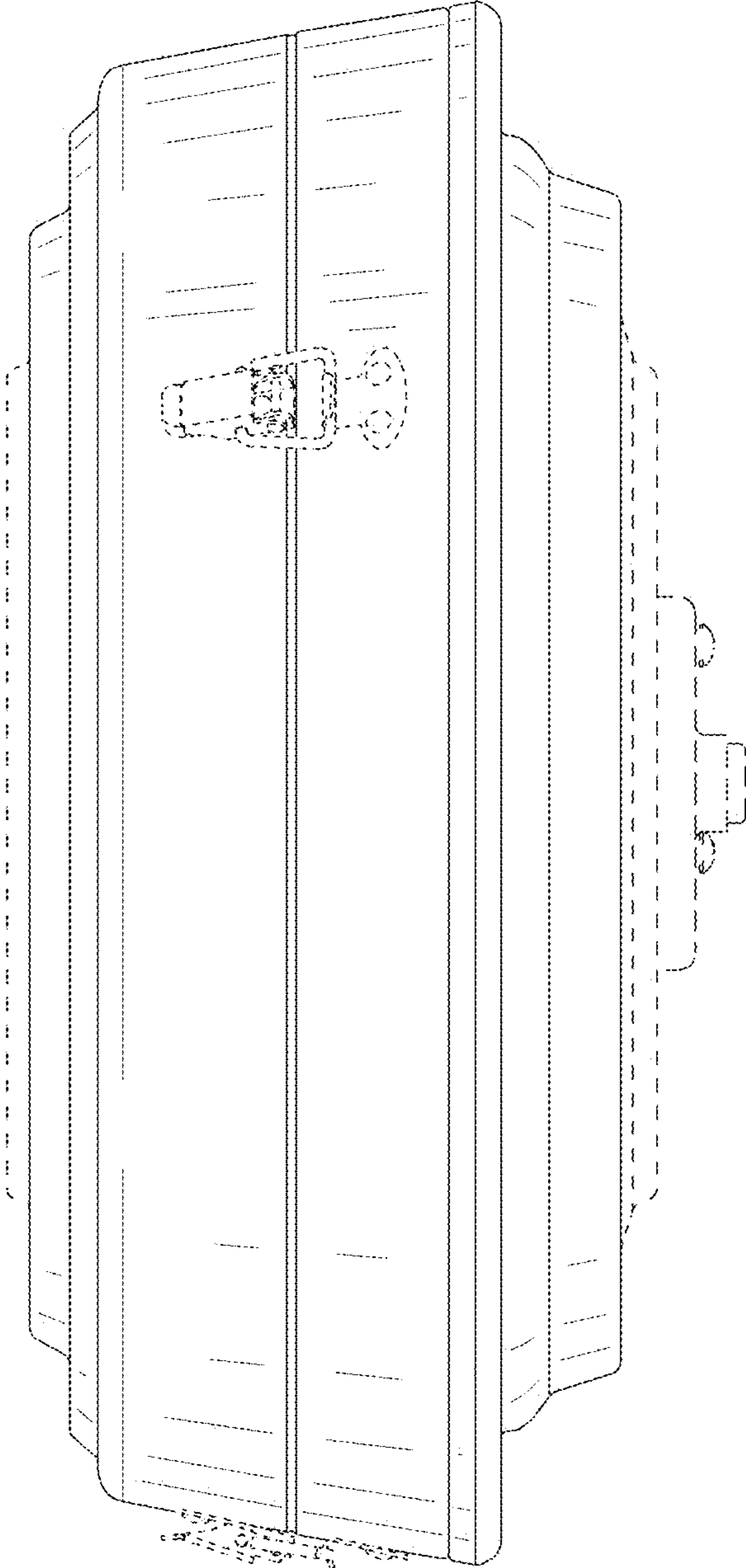


FIG. 6

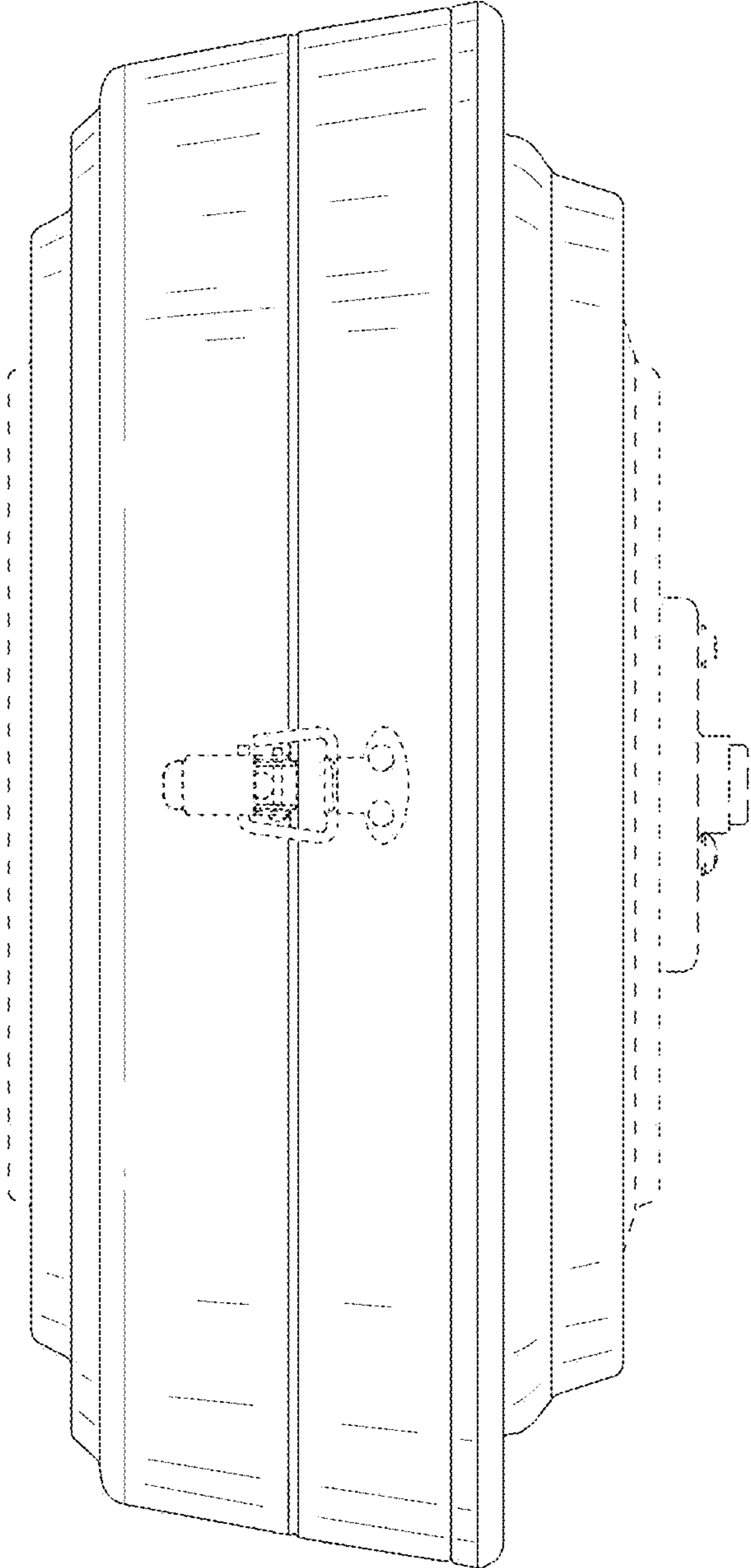


FIG. 7

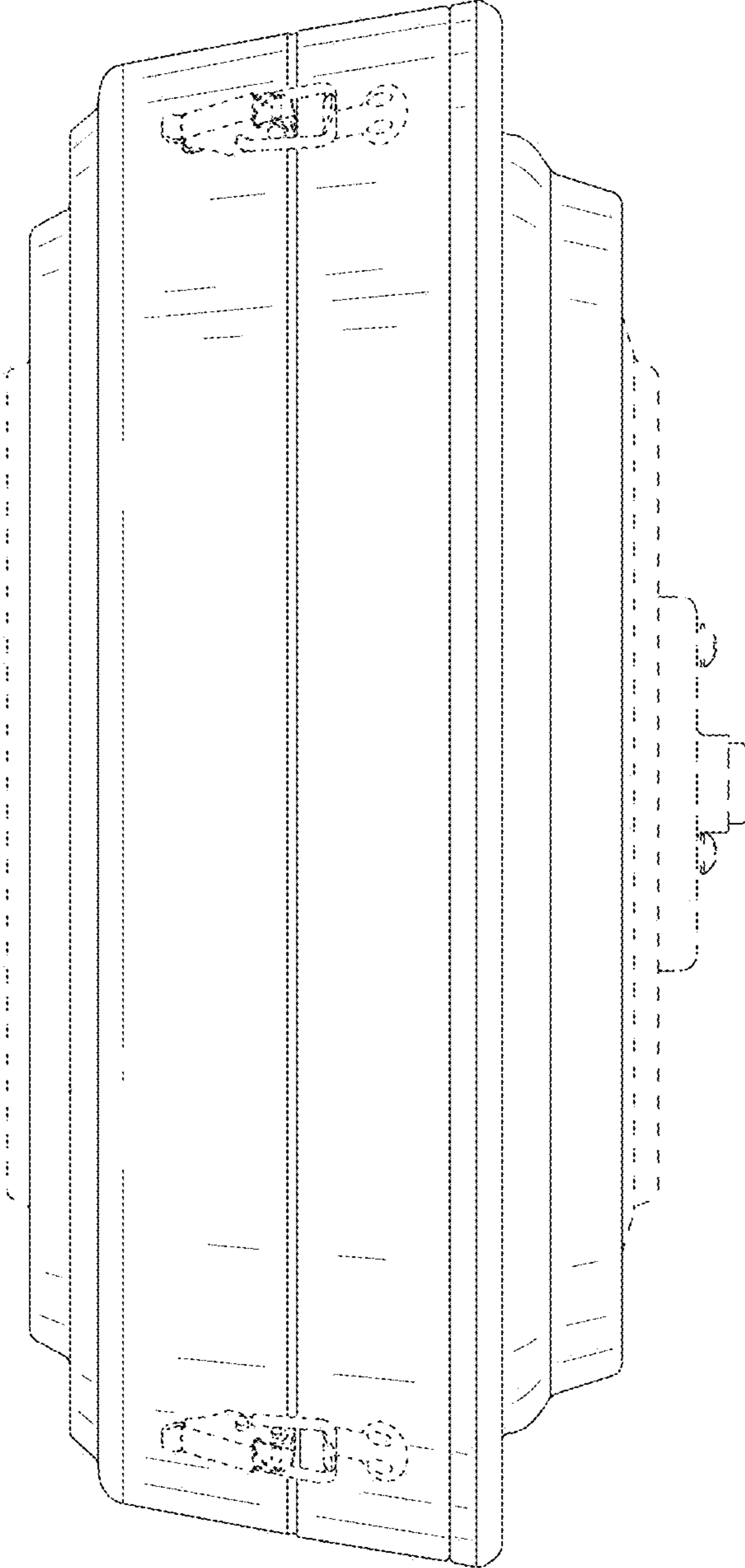


FIG. 8