

US00D903915S

(12) **United States Design Patent** (10) **Patent No.:** **US D903,915 S**
Zhang et al. (45) **Date of Patent:** **** Dec. 1, 2020**

(54) **WALL LAMP WITH CAMERA**
(71) Applicant: **XIAMEN ECO LIGHTING CO., LTD.**, Xiamen (CN)
(72) Inventors: **Shengtong Zhang**, Xiamen (CN); **Huanxin Zhou**, Xiamen (CN); **Jianjun He**, Xiamen (CN)
(73) Assignee: **XIAMEN ECO LIGHTING CO., LTD.**, Xiamen (CN)
(**) Term: **15 Years**
(21) Appl. No.: **29/636,550**
(22) Filed: **Feb. 9, 2018**
(51) **LOC (12) Cl.** **26-05**
(52) **U.S. Cl.**
USPC **D26/51; D26/63**
(58) **Field of Classification Search**
USPC D26/63, 65, 68, 51, 67; D16/203
CPC F21S 8/04; F21S 8/00; F21V 21/00; F21V 17/02; F21V 14/02; F21V 21/30; F21V 21/14; F21V 21/26; F21W 2131/10
See application file for complete search history.

D764,694 S * 8/2016 Tsai D26/63
D764,700 S * 8/2016 Chen D26/118
D784,435 S * 4/2017 Katori D16/203
D802,044 S * 11/2017 Wu D16/203
D803,291 S * 11/2017 Andersson D16/219
D803,452 S * 11/2017 Fang D26/65
D804,075 S * 11/2017 Fang D26/65
D837,438 S * 1/2019 Xie D26/87
D838,398 S * 1/2019 Joye D26/63
D847,404 S * 4/2019 Paredes D26/118

* cited by examiner

Primary Examiner — Lakiya G Rogers
Assistant Examiner — Carissa C Fitts
(74) *Attorney, Agent, or Firm* — PROI Intellectual Property US; Klaus Michael Schmid

(57) **CLAIM**

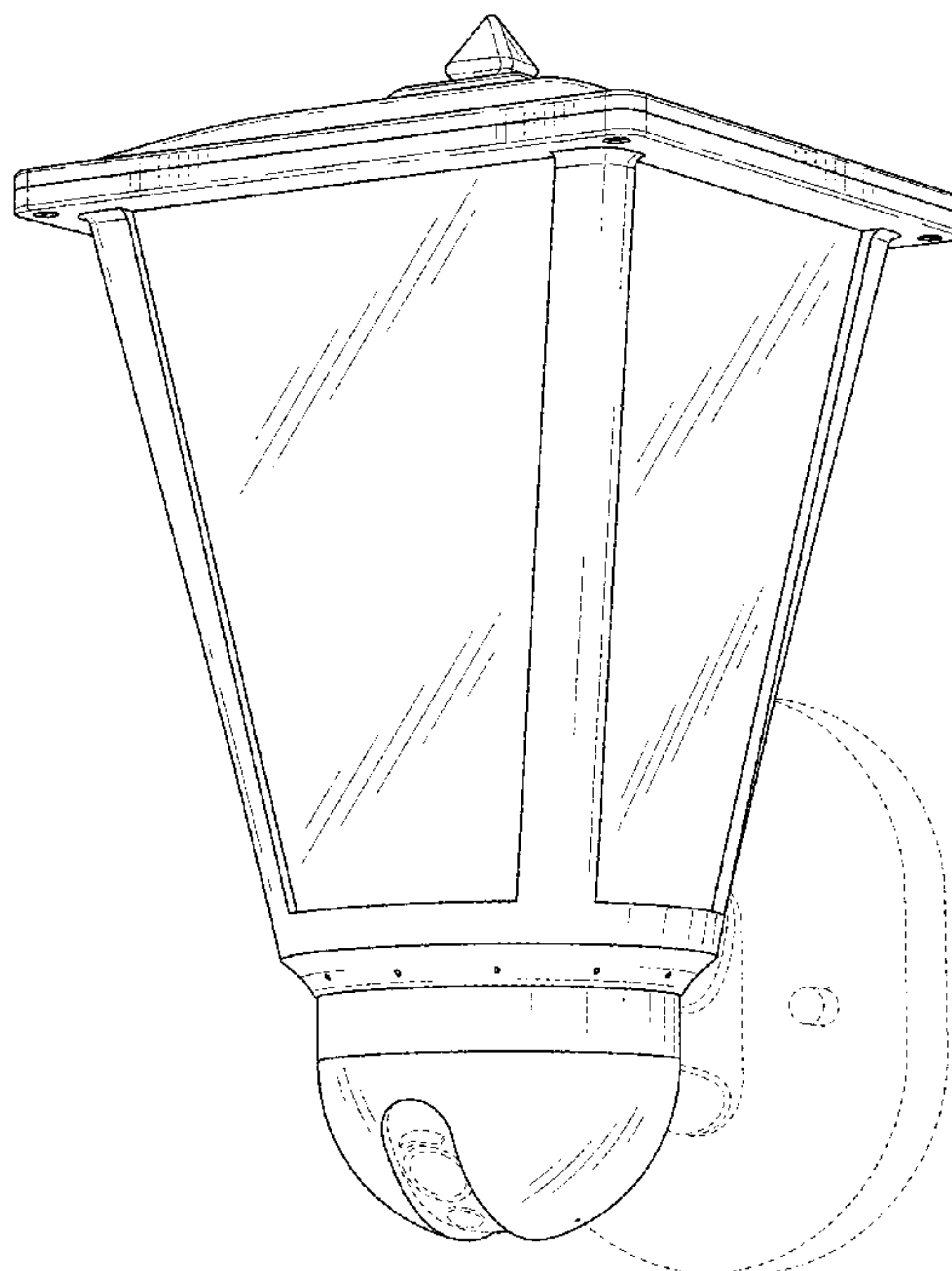
The ornamental design for a wall lamp with camera, as shown and described.

DESCRIPTION

FIG. 1 is a perspective front View of a wall lamp with camera;
FIG. 2 is a front View thereof;
FIG. 3 is a rear View thereof;
FIG. 4 is a left side View thereof;
FIG. 5 is a right side View thereof;
FIG. 6 is a top View thereof;
FIG. 7 is a bottom View thereof; and,
FIG. 8 is a perspective top View thereof.
The dash-dot-dash broken lines immediately adjacent the shaded areas in the drawings represent the bounds of the claimed design while all other broken lines show portions of the article which form no part of the claimed design.

1 Claim, 8 Drawing Sheets

(56) **References Cited**
U.S. PATENT DOCUMENTS
D454,652 S * 3/2002 Crelin D26/85
D466,429 S * 12/2002 Sandell D10/106.8
D646,833 S * 10/2011 Chen D26/67
D684,293 S * 6/2013 Lastimoso D26/85
D694,458 S * 11/2013 Yang D26/67
D744,570 S * 12/2015 Criscuolo D16/203
D761,474 S * 7/2016 Chen D26/65
D762,903 S * 8/2016 Tsai D26/63



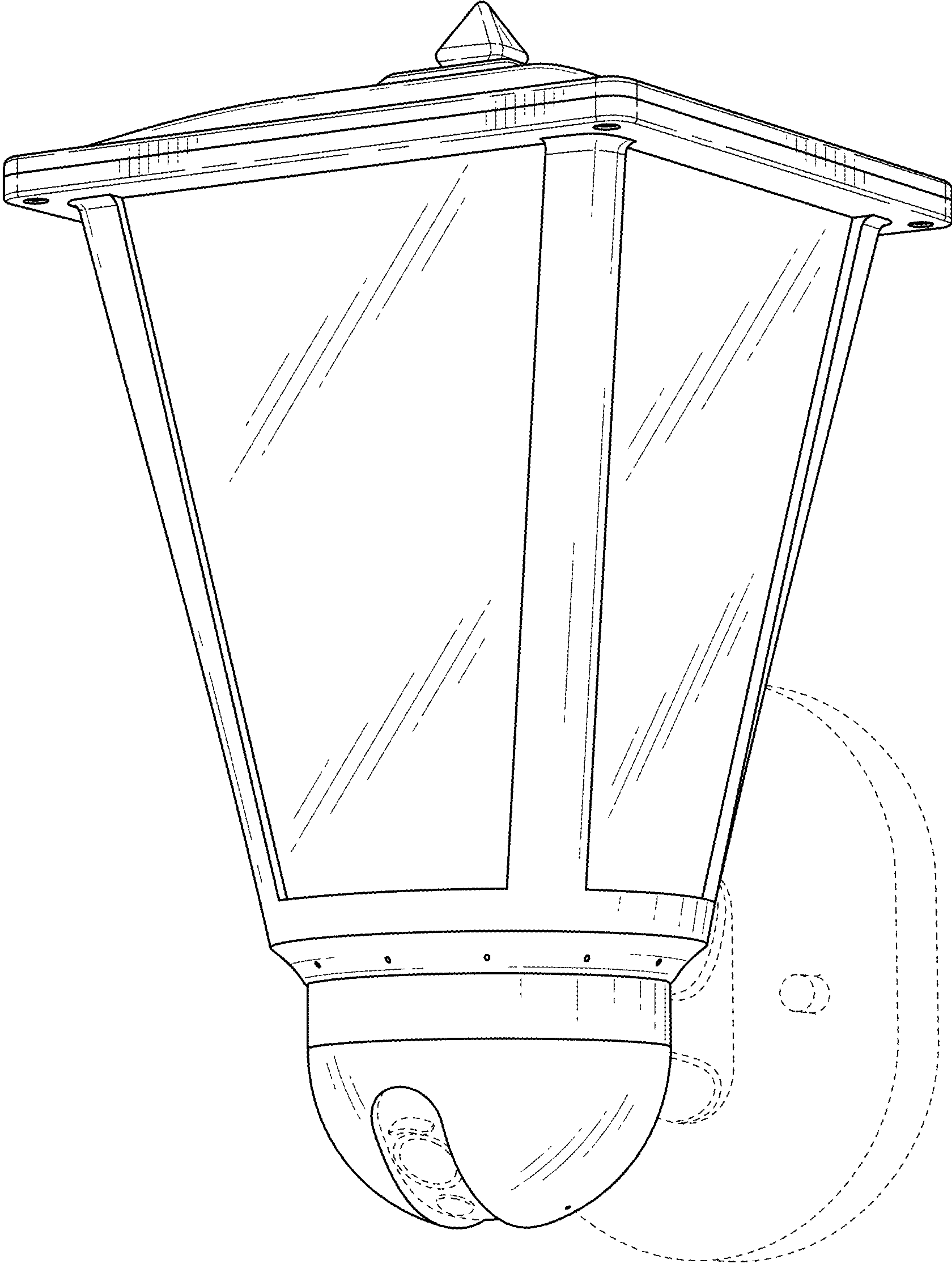


FIG. 1

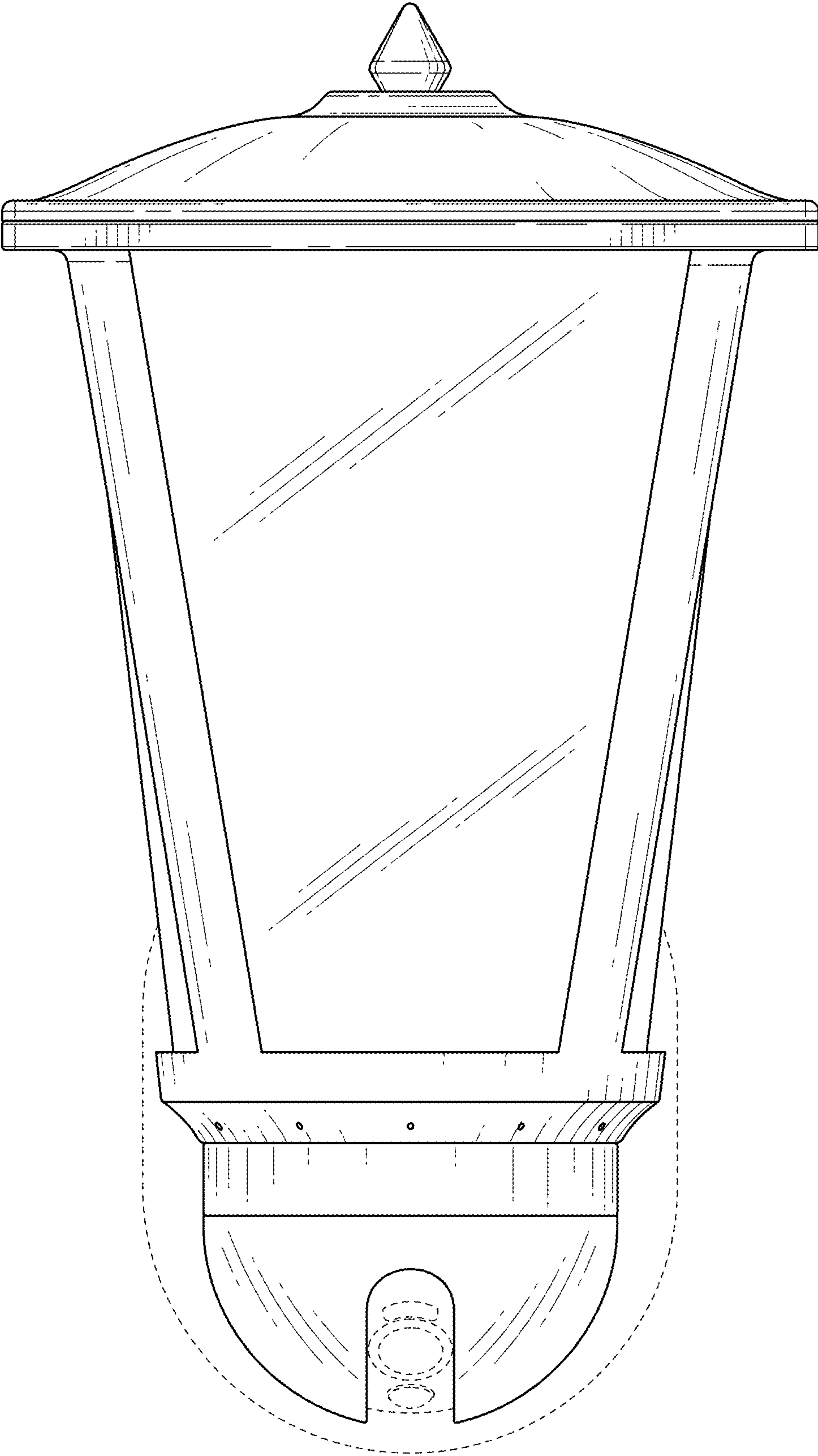


FIG. 2

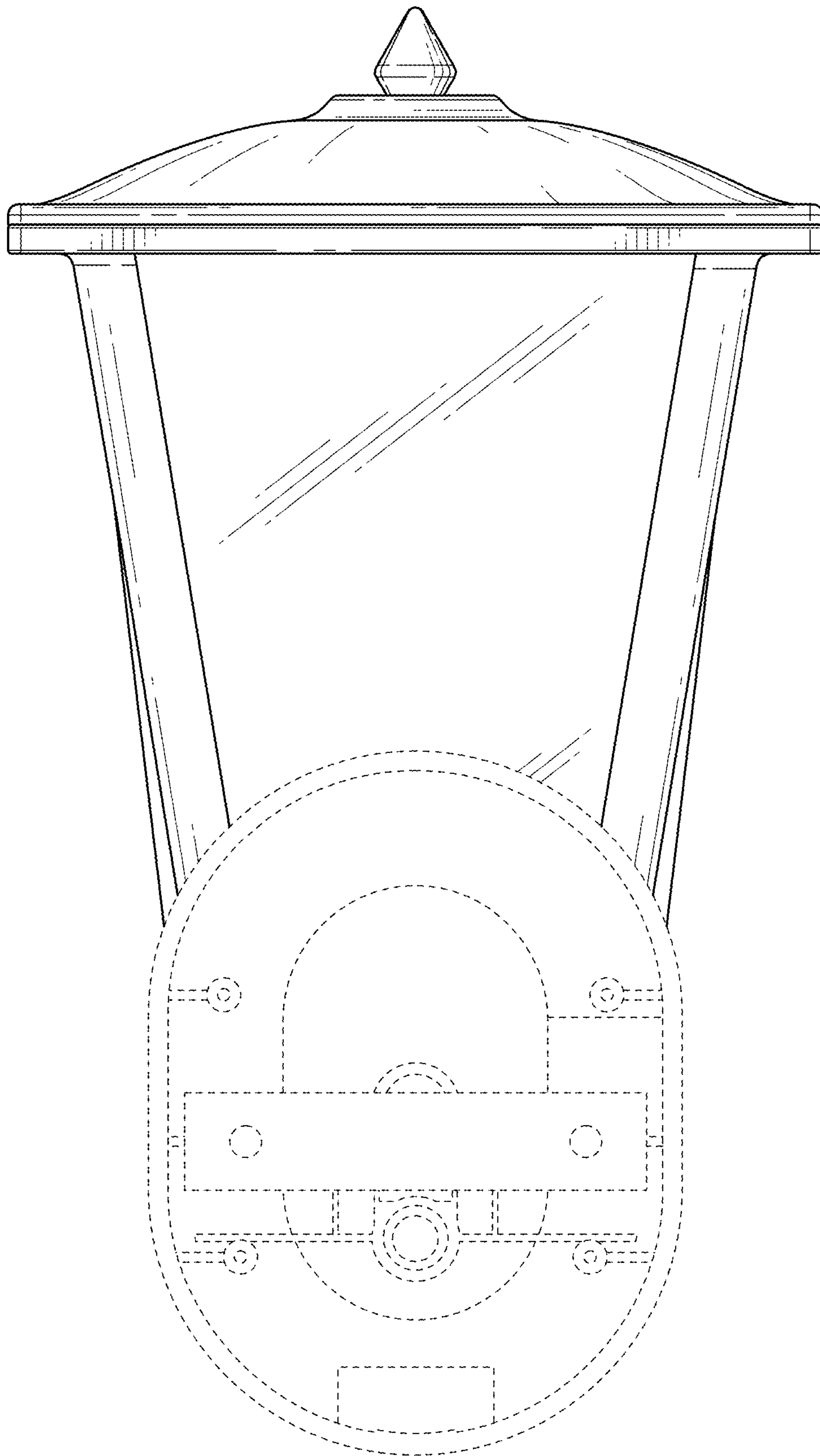


FIG. 3

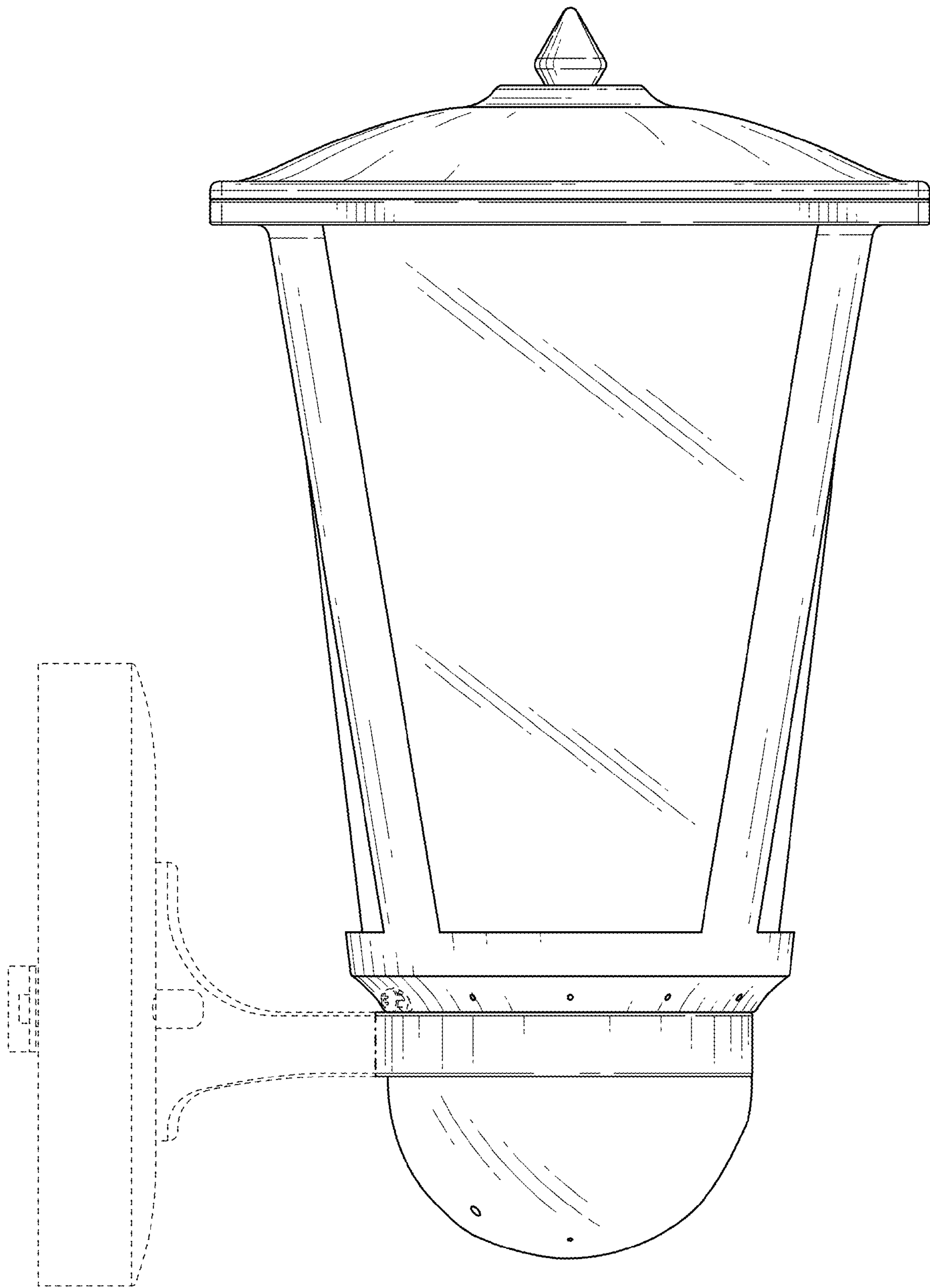


FIG. 4

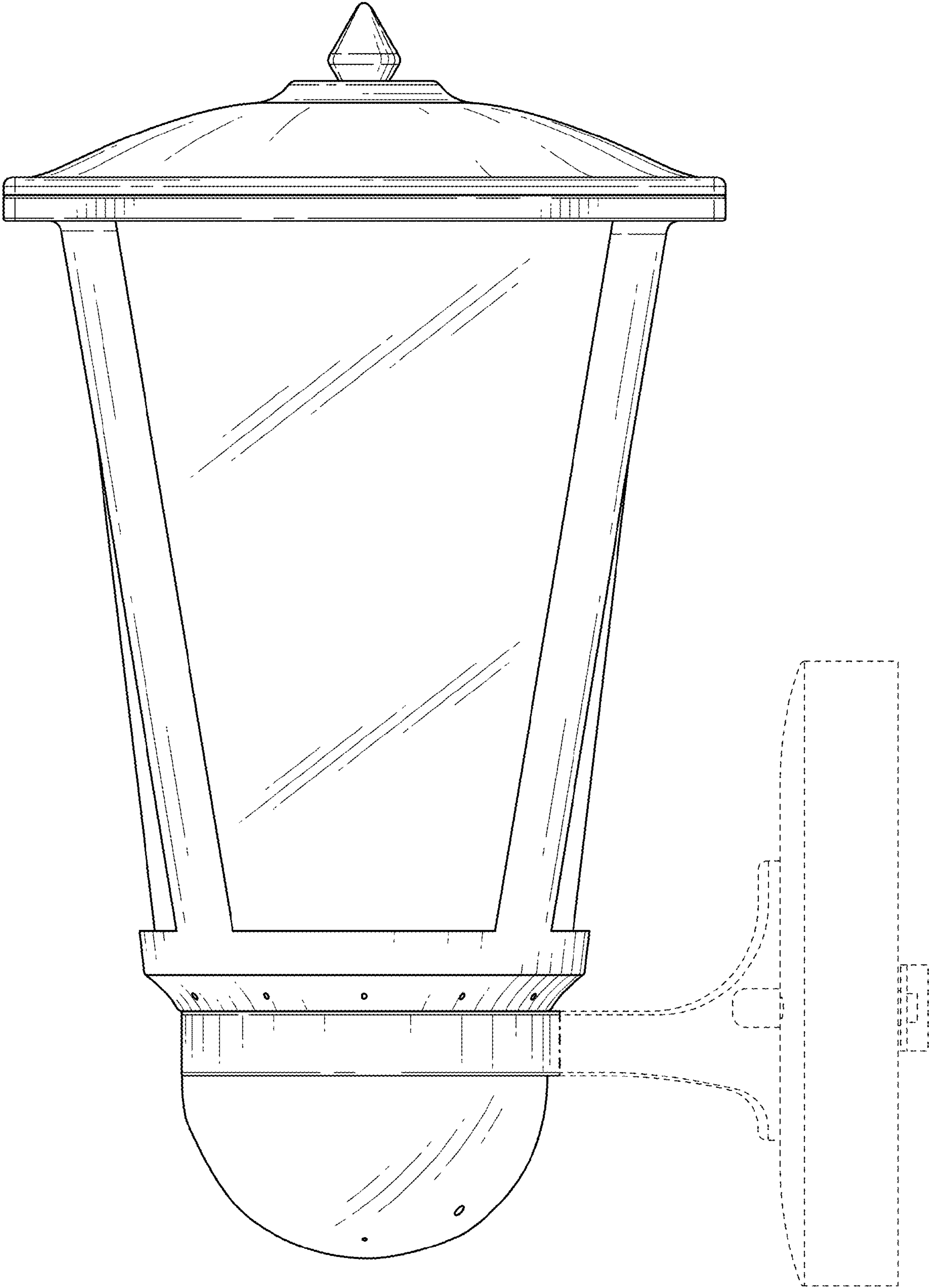


FIG. 5

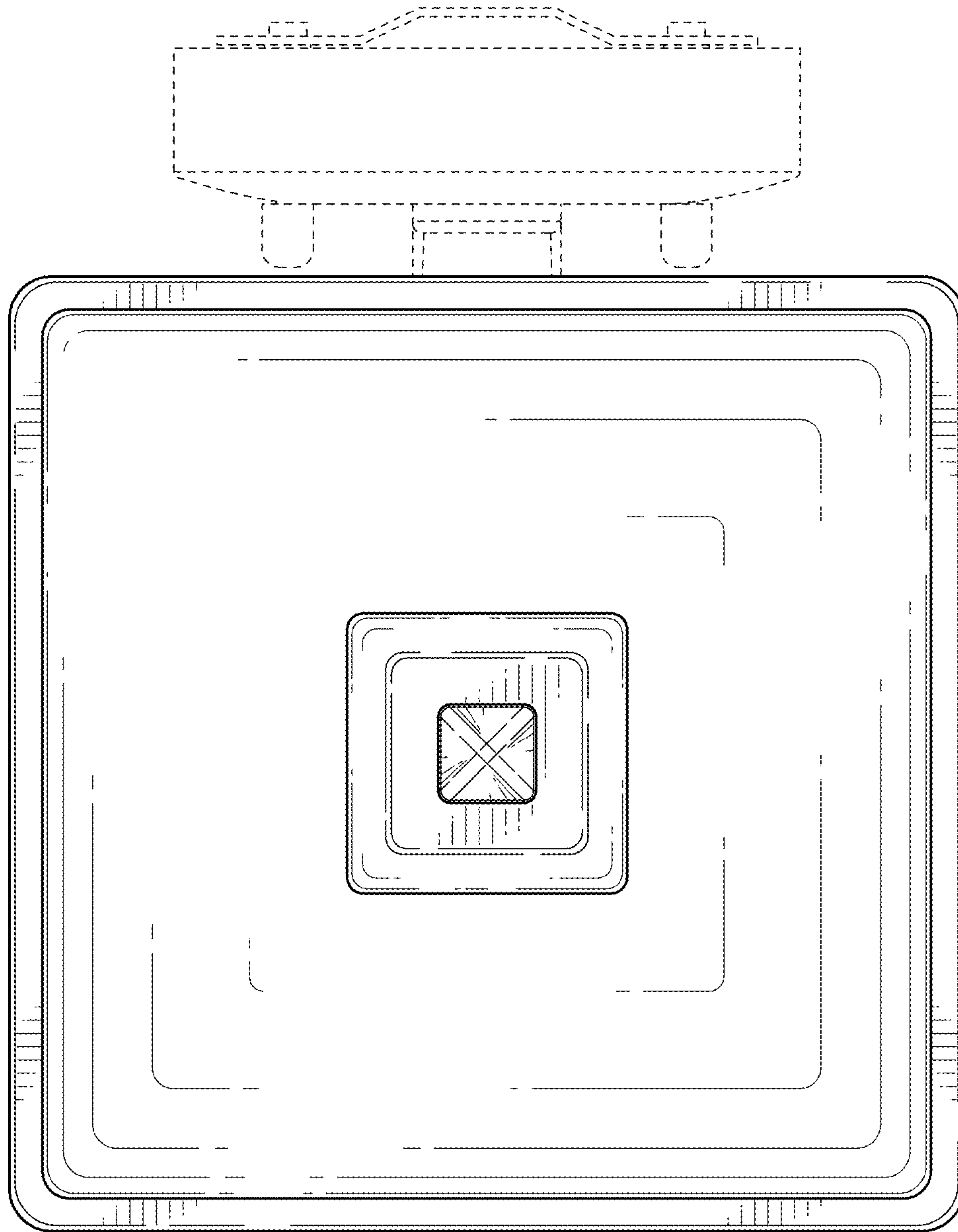


FIG. 6

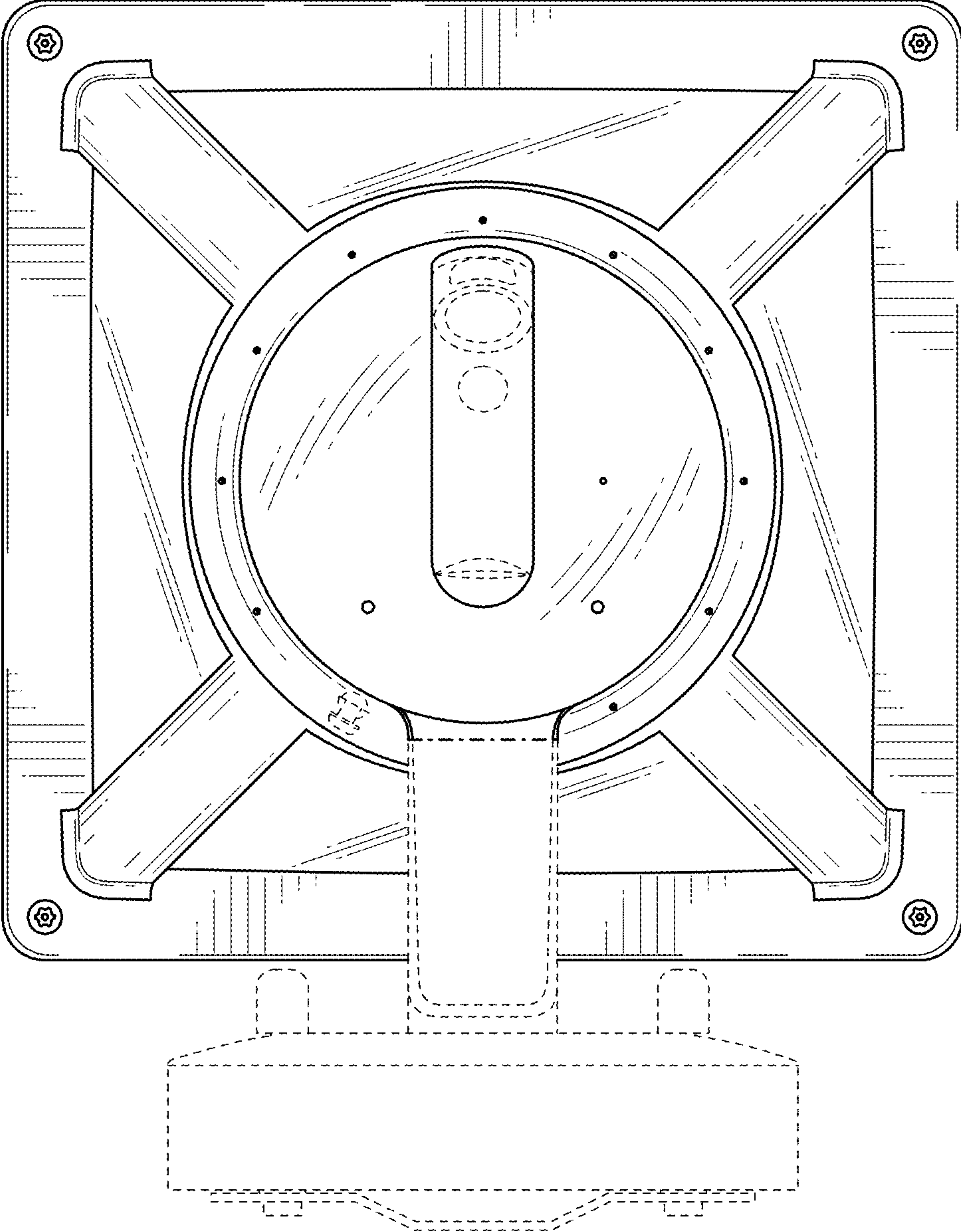


FIG. 7

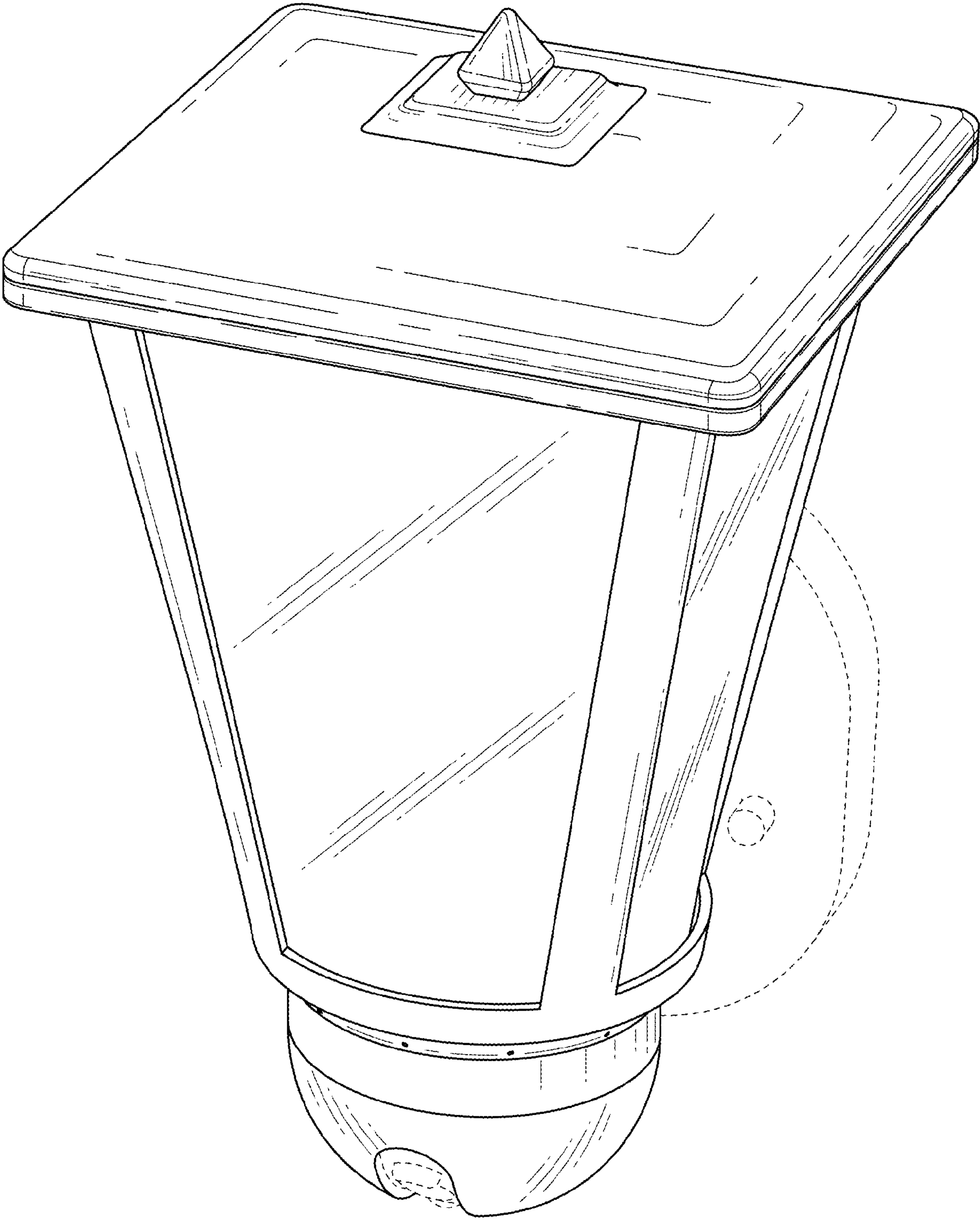


FIG. 8