



US00D903908S

(12) **United States Design Patent** (10) **Patent No.:** **US D903,908 S**
Cutt (45) **Date of Patent:** **** Dec. 1, 2020**

(54) **MODULAR ILLUMINATION DEVICE**

(71) Applicant: **Zac Cutt**, Barrie (CA)

(72) Inventor: **Zac Cutt**, Barrie (CA)

(**) Term: **15 Years**

(21) Appl. No.: **29/677,566**

(22) Filed: **Jan. 22, 2019**

(51) **LOC (12) Cl.** **26-01**

(52) **U.S. Cl.**
USPC **D26/24**

(58) **Field of Classification Search**
USPC D13/180; D26/1.24, 118
CPC ... H01L 25/167; H01L 25/0753; H01L 27/15;
H01L 27/156; H01L 31/02; H01L 33/00;
H01L 33/04; H01L 33/08; H01L 33/10;
H01L 33/20; H01L 33/38; H01L 33/42;
H01L 33/48; H01L 33/54; H01L 33/483;
H01L 33/486

See application file for complete search history.

(56) **References Cited**

U.S. PATENT DOCUMENTS

D234,800 S * 4/1975 Swartz D26/24
D576,760 S * 9/2008 Ottobre D26/118
D615,505 S * 5/2010 Butterworth D13/180
D656,906 S * 4/2012 Leung D13/180

D667,802 S * 9/2012 Otaki D13/180
D670,010 S * 10/2012 Lin D13/180
D715,461 S * 10/2014 Chen D26/1
D754,618 S * 4/2016 Freeman D13/180
9,638,852 B2 * 5/2017 Sakai H01L 33/54
D800,679 S * 10/2017 Omori D13/180
D843,613 S * 3/2019 Hodohara D26/1
D844,576 S * 4/2019 Miura D13/180

* cited by examiner

Primary Examiner — Brian N. Vinson

(74) *Attorney, Agent, or Firm* — Aird & McBurney LP

(57) **CLAIM**

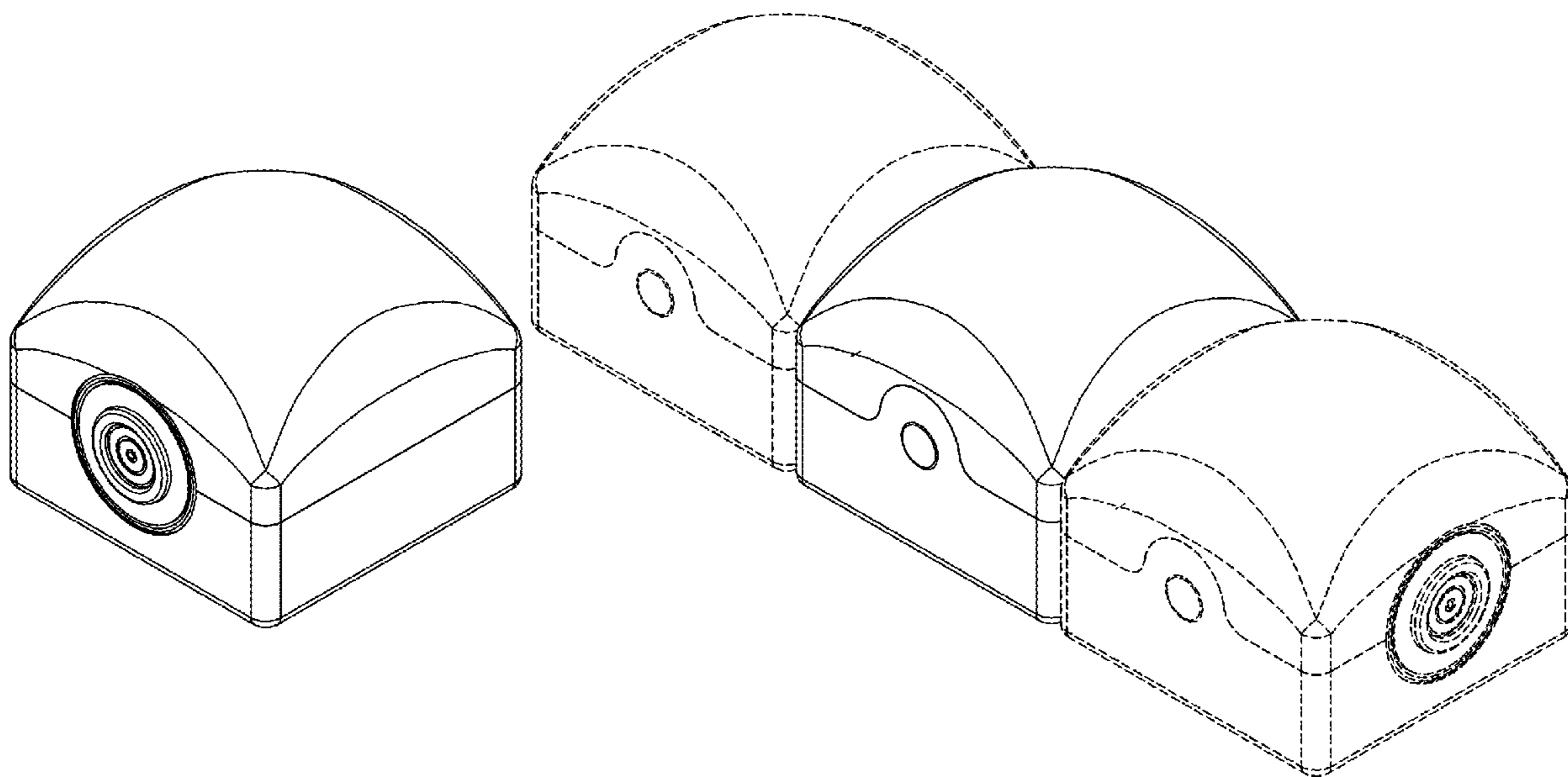
I claim the ornamental design for a modular illumination device, as shown and described.

DESCRIPTION

FIG. 1 is a left perspective view of a modular illumination device showing the new design;
FIG. 2 is a right perspective view thereof;
FIG. 3 is a top view thereof;
FIG. 4 is a front view thereof;
FIG. 5 is a left side view thereof;
FIG. 6 is a rear side view thereof;
FIG. 7 is a right side view thereof;
FIG. 8 is a bottom view thereof; and,
FIG. 9 is an isometric view showing the modular illumination device of FIG. 1 when combined with other modular illumination devices.

The broken line disclosure represents no part of the claimed design.

1 Claim, 5 Drawing Sheets



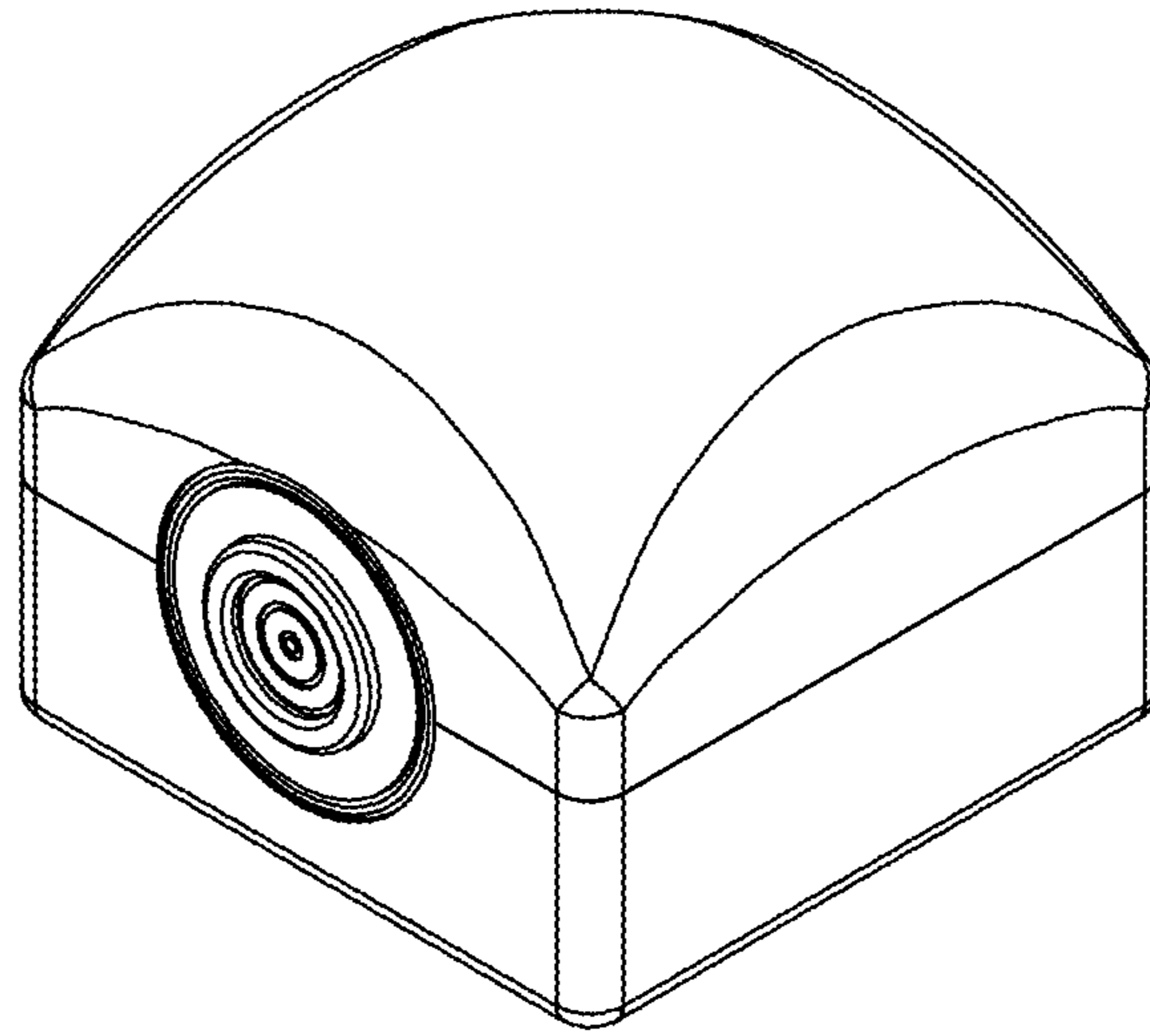


FIG. 1

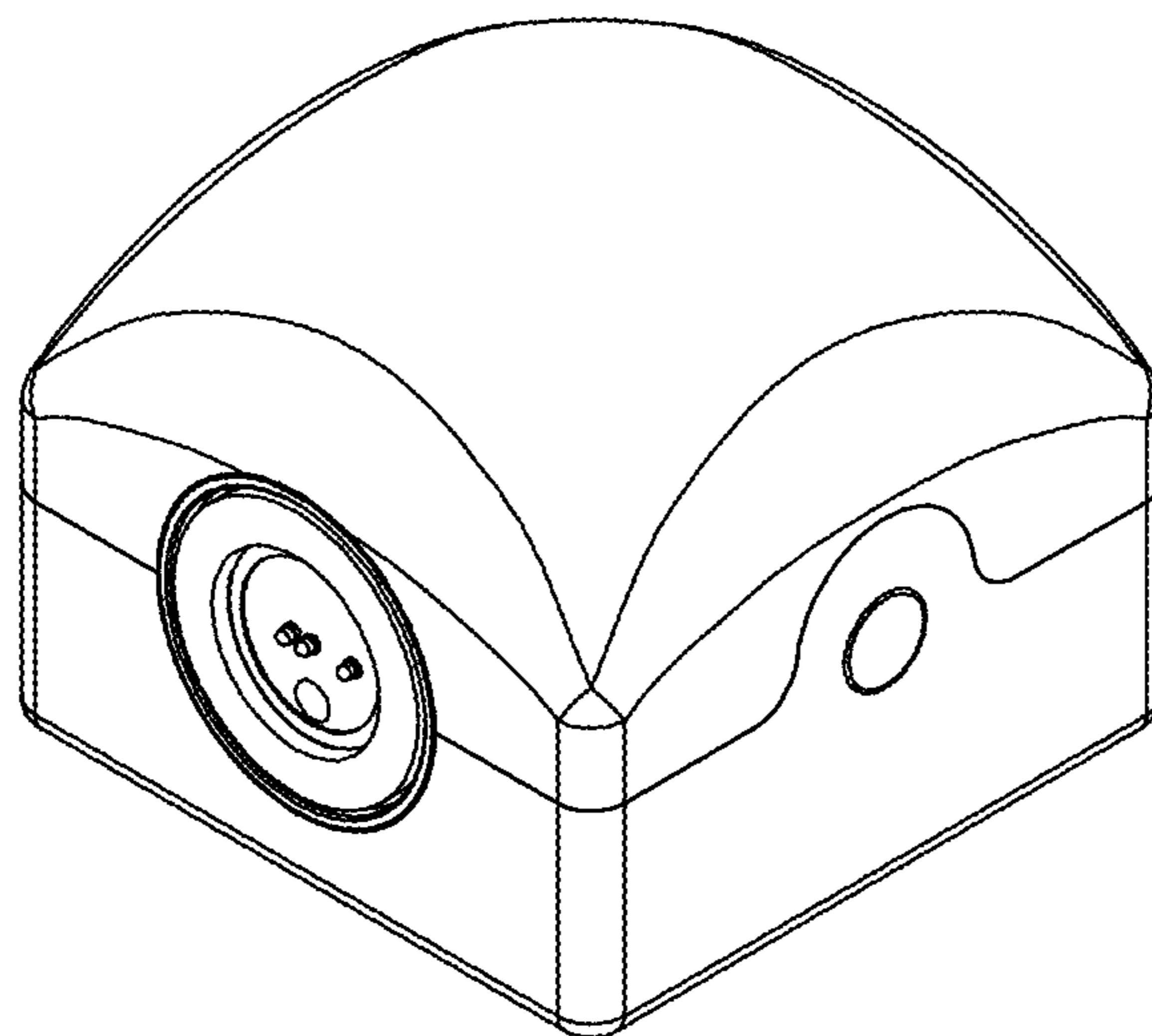


FIG. 2

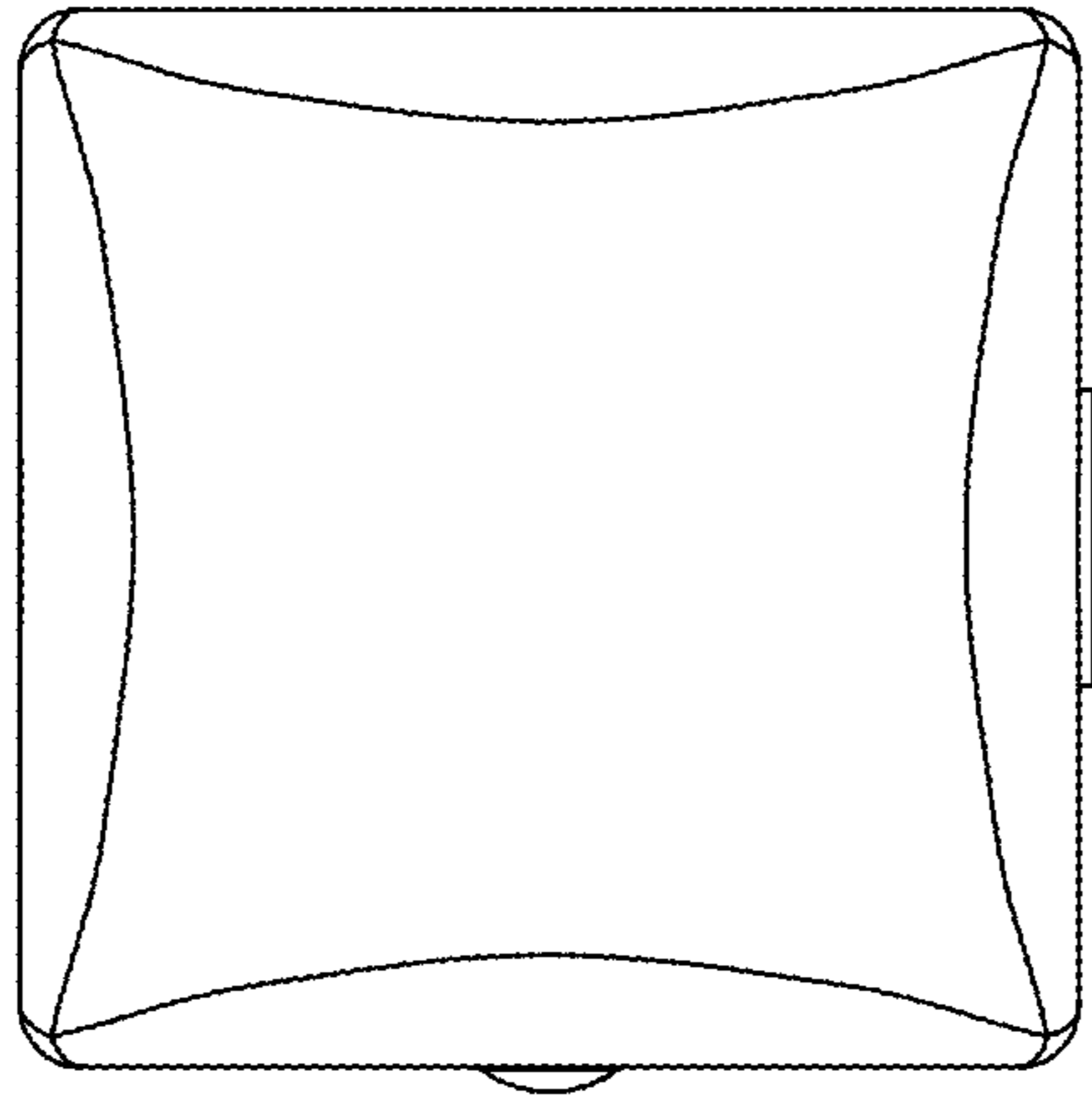


FIG. 3

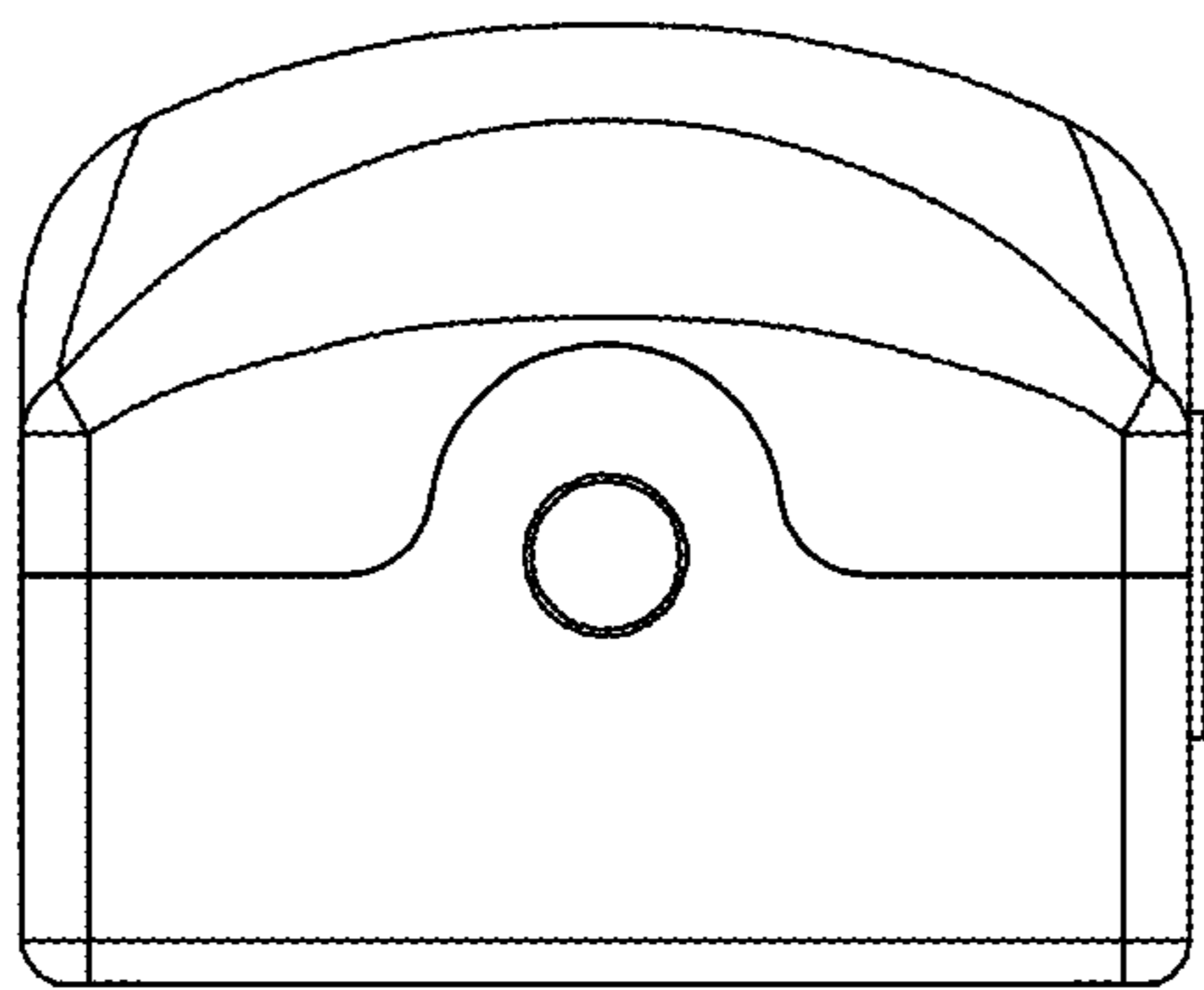


FIG. 4

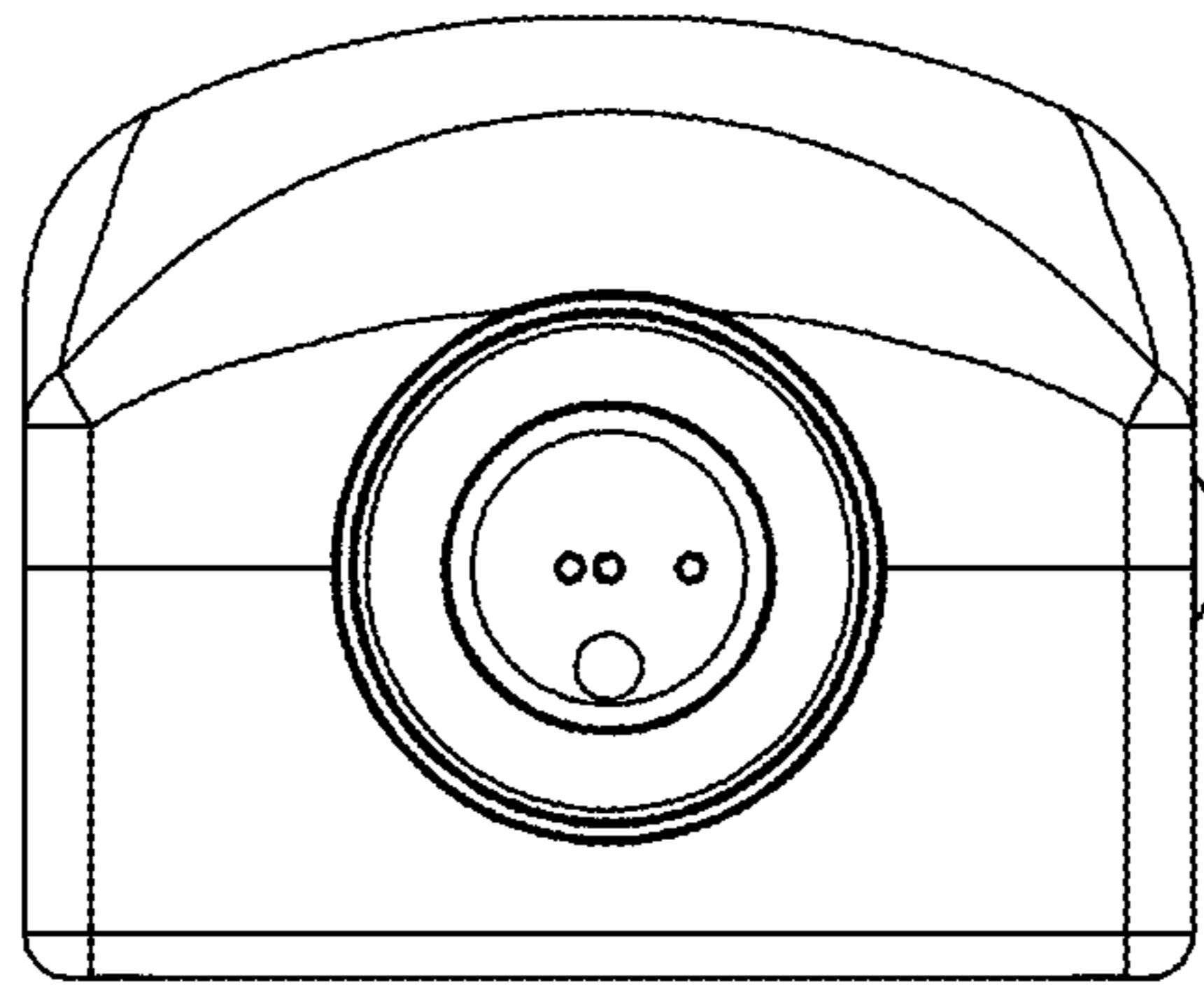


FIG. 5

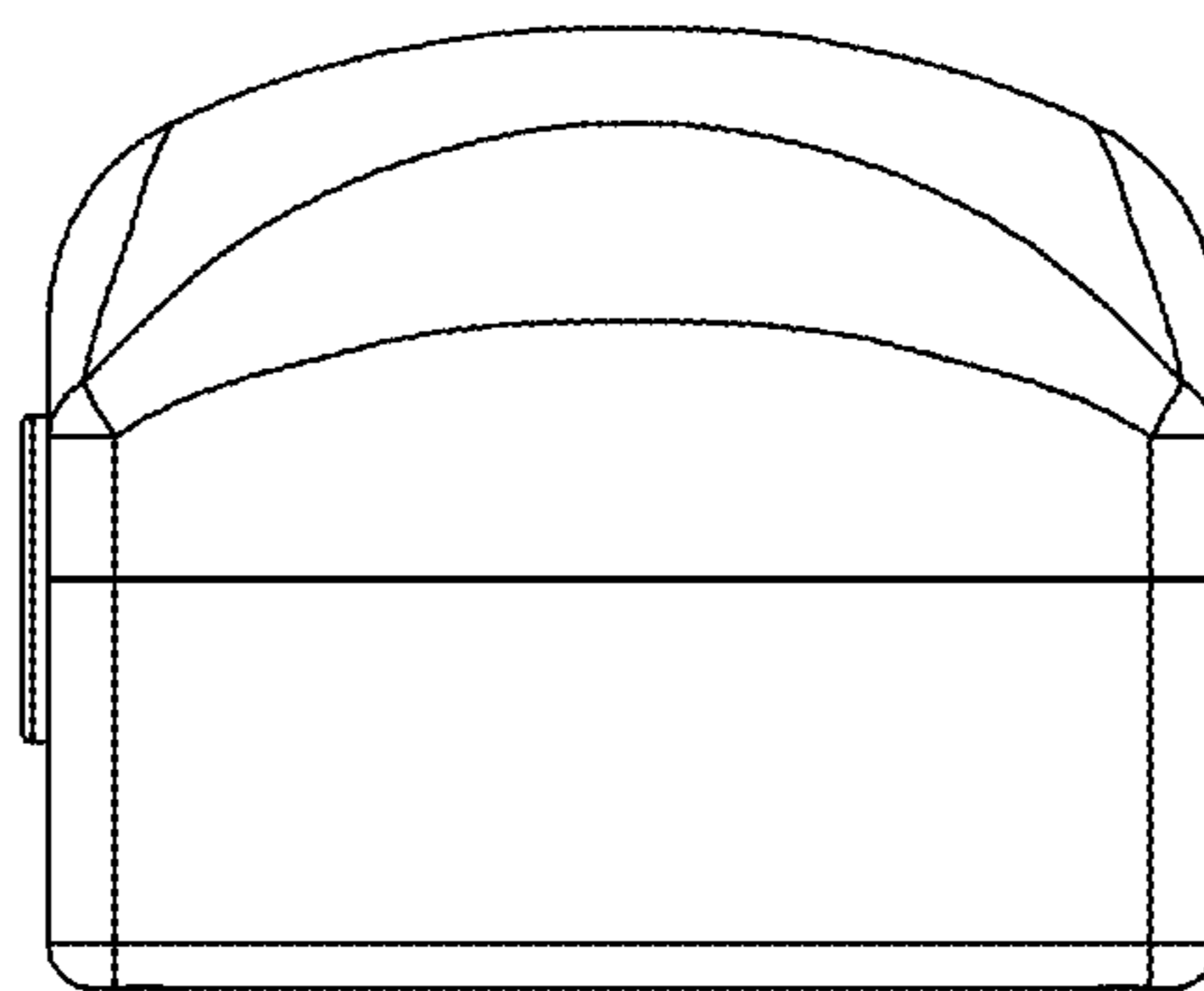


FIG. 6

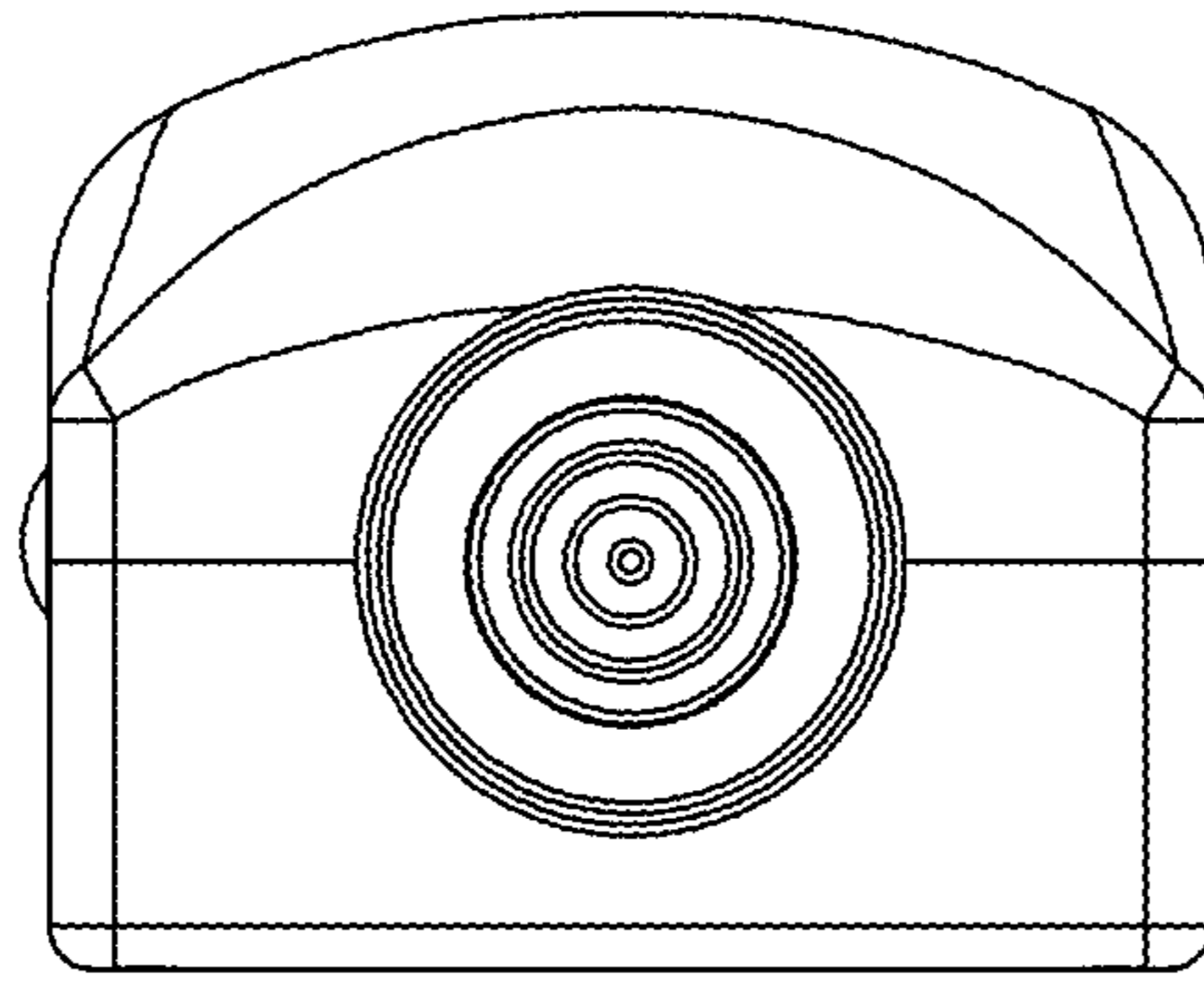


FIG. 7

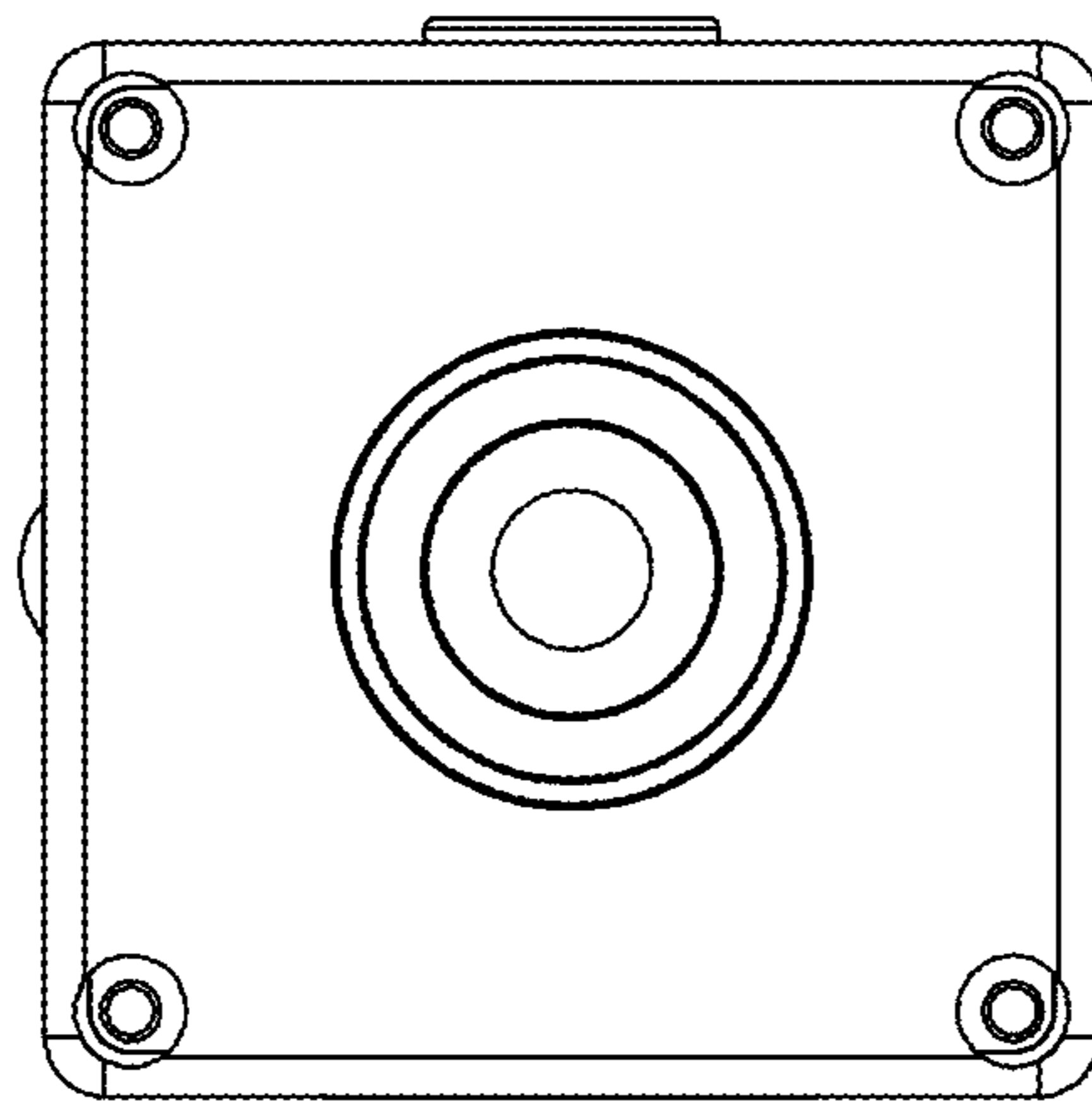


FIG. 8

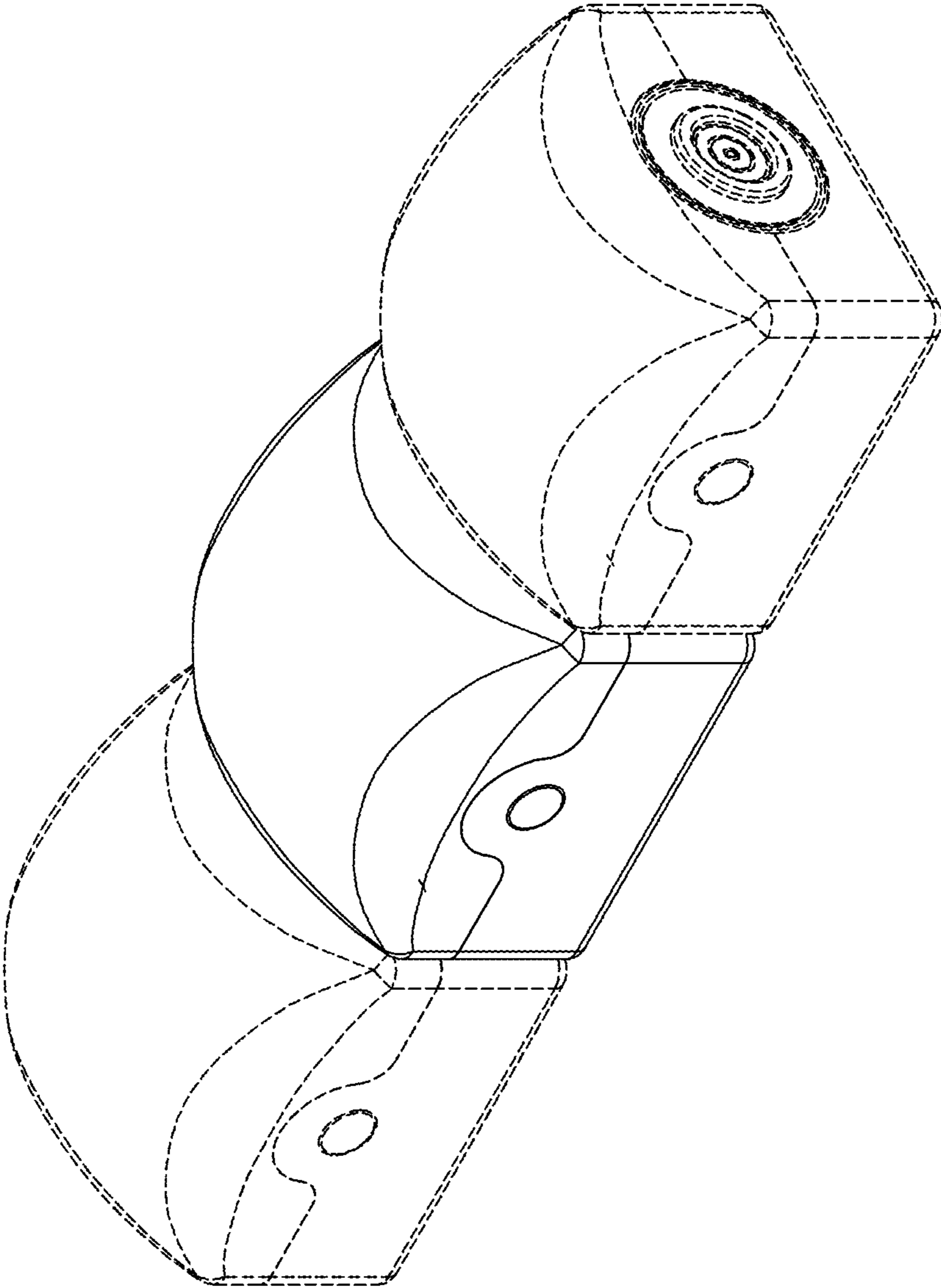


FIG. 9