



US00D903906S

(12) **United States Design Patent** (10) **Patent No.:** **US D903,906 S**
Dickinson et al. (45) **Date of Patent:** **** Dec. 1, 2020**

(54) **BOLLARD**
(71) Applicant: **Delta Scientific Corporation**,
Palmdale, CA (US)
(72) Inventors: **Harry D. Dickinson**, La Canada
Flintridge, CA (US); **David G.**
Dickinson, La Canada Flintridge, CA
(US); **James John Burnett**, Canyon
Country, CA (US)
(73) Assignee: **DELTA SCIENTIFIC**
CORPORATION, Palmdale, CA (US)
(**) Term: **15 Years**
(21) Appl. No.: **29/625,335**
(22) Filed: **Nov. 8, 2017**
(51) **LOC (12) Cl.** **25-01**
(52) **U.S. Cl.**
USPC **D25/126**
(58) **Field of Classification Search**
USPC D25/126, 127, 128, 129, 130, 131, 132,
D25/133, 134, 135; D26/68; D6/349,
D6/641, 685–687, 692, 692.1–692.6, 680,
D6/706.16, 708, 708.23; D7/361
CPC E04B 2001/2696; E04B 2/56; E04B 2/706;
E04C 2003/026; E04C 3/02; E04F
11/1842; F21S 8/083; F21V 33/00; E01F
13/12; E01F 13/123; E01F 13/02; E01F
13/046; E01F 13/022; E01F 13/026; E01F
13/028; F41H 11/08
See application file for complete search history.

10,407,852 B2 * 9/2019 Dickinson E01F 13/12
10,408,557 B2 * 9/2019 Verdino F41H 11/10
2002/0100636 A1 * 8/2002 Cole A62B 35/0068
182/113
2008/0038056 A1 * 2/2008 Patel E01F 13/12
404/6
2010/0232876 A1 * 9/2010 Ringelberg E01F 13/028
404/6
2013/0213897 A1 * 8/2013 Jauncey E02B 15/046
210/747.6
2019/0136470 A1 * 5/2019 Dickinson F41H 11/08

OTHER PUBLICATIONS

Delta Scientific Corp., “DSC700/800 Series—Protect your Facility
and its Aesthetics!” Pamphlet, printed in 2014, 4 pages.

(Continued)

Primary Examiner — Samantha Q Lawrence

(74) *Attorney, Agent, or Firm* — Lewis Roca Rothgerber
Christie LLP

(57) **CLAIM**

The ornamental design for a bollard, as shown and
described.

DESCRIPTION

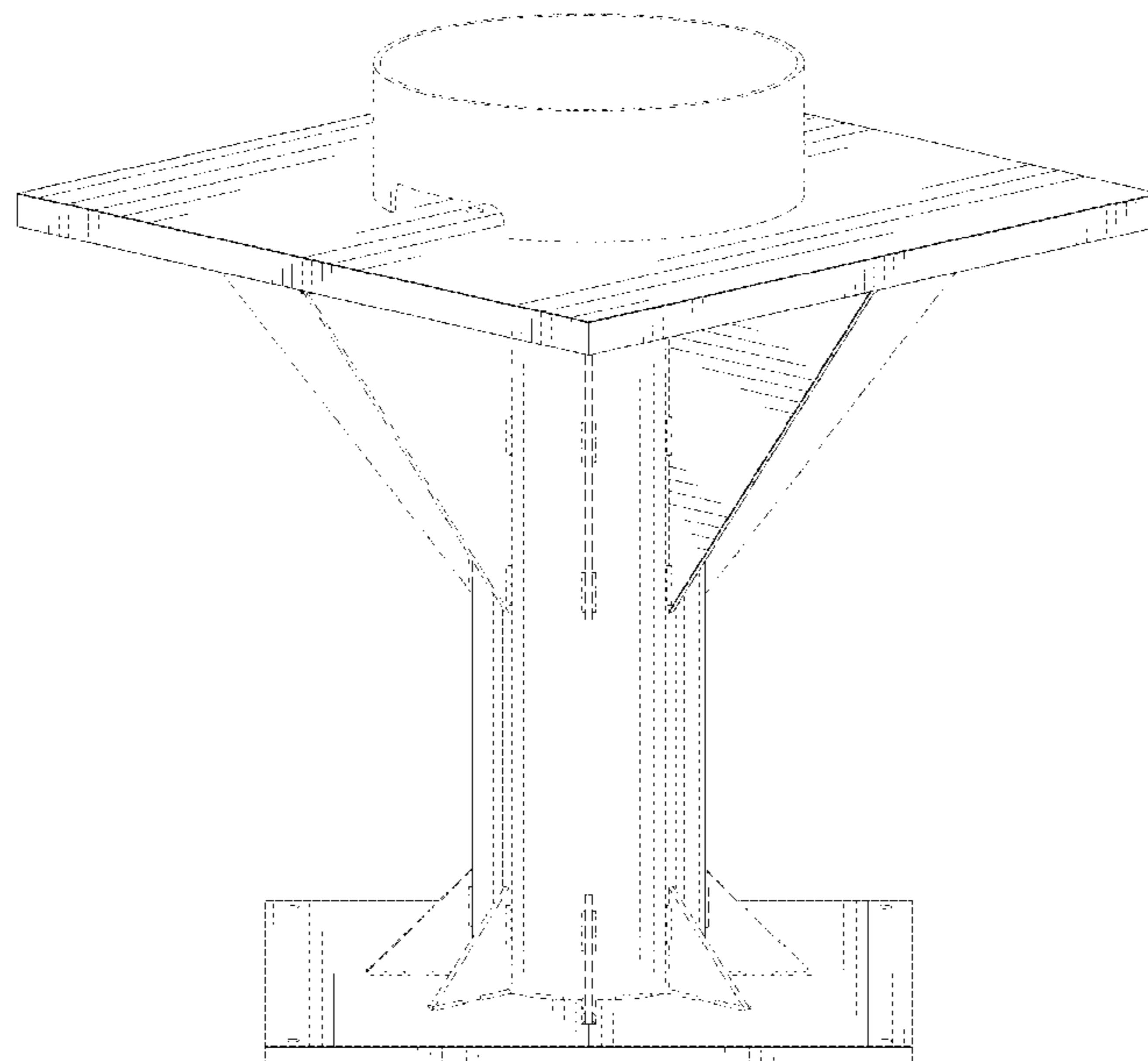
FIG. 1 is a perspective view of a first embodiment of the
bollard design.
FIG. 2 is a front view which is a mirror image of the rear
view of the first embodiment thereof;
FIG. 3 is a left side view which is the mirror image of the
right side view of the first embodiment thereof;
FIG. 4 is a top view of the first embodiment thereof; and,
FIG. 5 is a bottom view of the first embodiment thereof.
The broken lines shown in FIGS. 1-5 illustrate portions of
the bollard that form no part of the claimed design.

1 Claim, 5 Drawing Sheets

(56) **References Cited**

U.S. PATENT DOCUMENTS

19,724 A * 3/1858 Seekins E01F 13/02
256/64
6,382,869 B1 * 5/2002 Dickinson E01F 13/12
404/6



(56)

References Cited

OTHER PUBLICATIONS

Delta Scientific Corp., “DSC501—Advanced Highest Security, High Duty Cycle Counter-Terrorist Protection!” Pamphlet, printed in 2014, 4 pages.

Delta Scientific Corp., “Portable Crash Barriers 4 models / 2 versions—Hundreds in use throughout the world” Pamphlet, printed in 2014, 4 pages.

Delta Scientific Corp., “DSC7000 Series—Active Beam Barricades for Wide Roadways that Must Be Secured!” Pamphlet, printed in 2014, 4 pages.

Delta Scientific Corp., “Delta Anti-Terrorist & Vehicle Control Equipment” Pamphlet, printed in 2014, 8 pages.

Delta Scientific Corp., “Automated Traffic Control From the Company that Created the Concept” Pamphlet, printed in 2016, 8 pages.

Delta Scientific Corp., “Crash-Rated High Security Sliding Gates—Cantilever, Linear Tracked & Decorative” Pamphlet, printed in 2017, 4 pages.

Delta Scientific Corp., “Bullet-resistant guard booths provide unmatched protection—and keep unwanted visitors out!” Leaflet, printed in 2017, 6 pages.

Delta Scientific Corp., “DSC207 Shallow Foundation Wedge Barricade with Covered Front & Sides” Leaflet, printed in 2017, 2 pages.

Delta Scientific Corp., “DSC1200—Plug-and-Pay High Security Vehicle Access Control” Leaflet, printed in 2017, 2 pages.

Delta Scientific Corp., “DSC2000—Breakthrough High-speed, High-security Barricade with Minimal Foundation!” Pamphlet, printed in 2017, 4 pages.

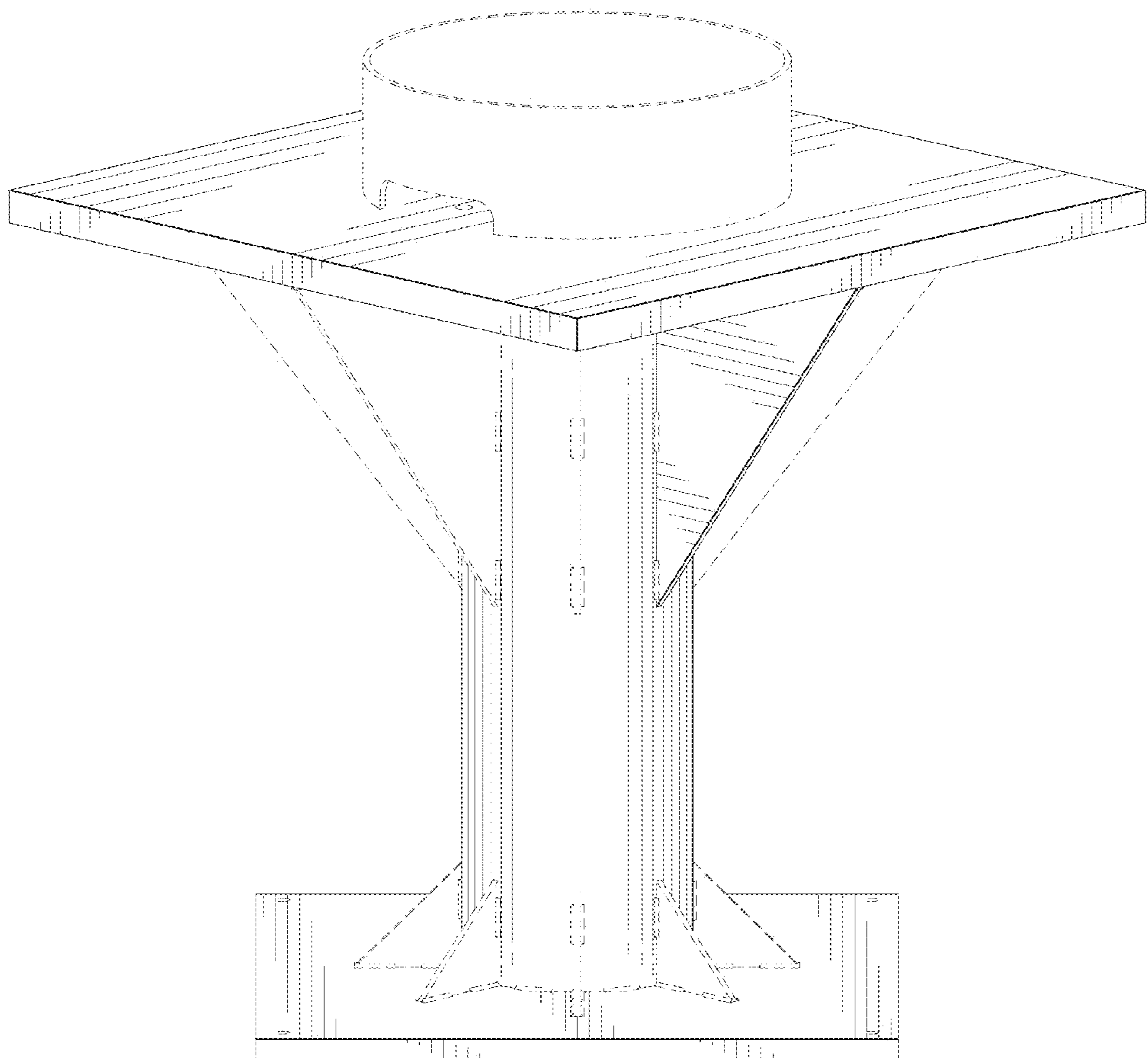
Delta Scientific Corp., “Crash-Rated Cable & Chain Beam Barriers” Pamphlet, printed in 2017, 4 pages.

Delta Scientific Corp., “DSC600 Series—New Crash-Resistant Fixed Bollard Modules Protect Facilities from Terrorist & Errant Vehicles” Pamphlet, printed in 2017, 4 pages.

Delta Scientific Corp., “HD300 High Security All Electric Barrier” Leaflet, printed in 2017, 2 pages.

* cited by examiner

FIG. 1



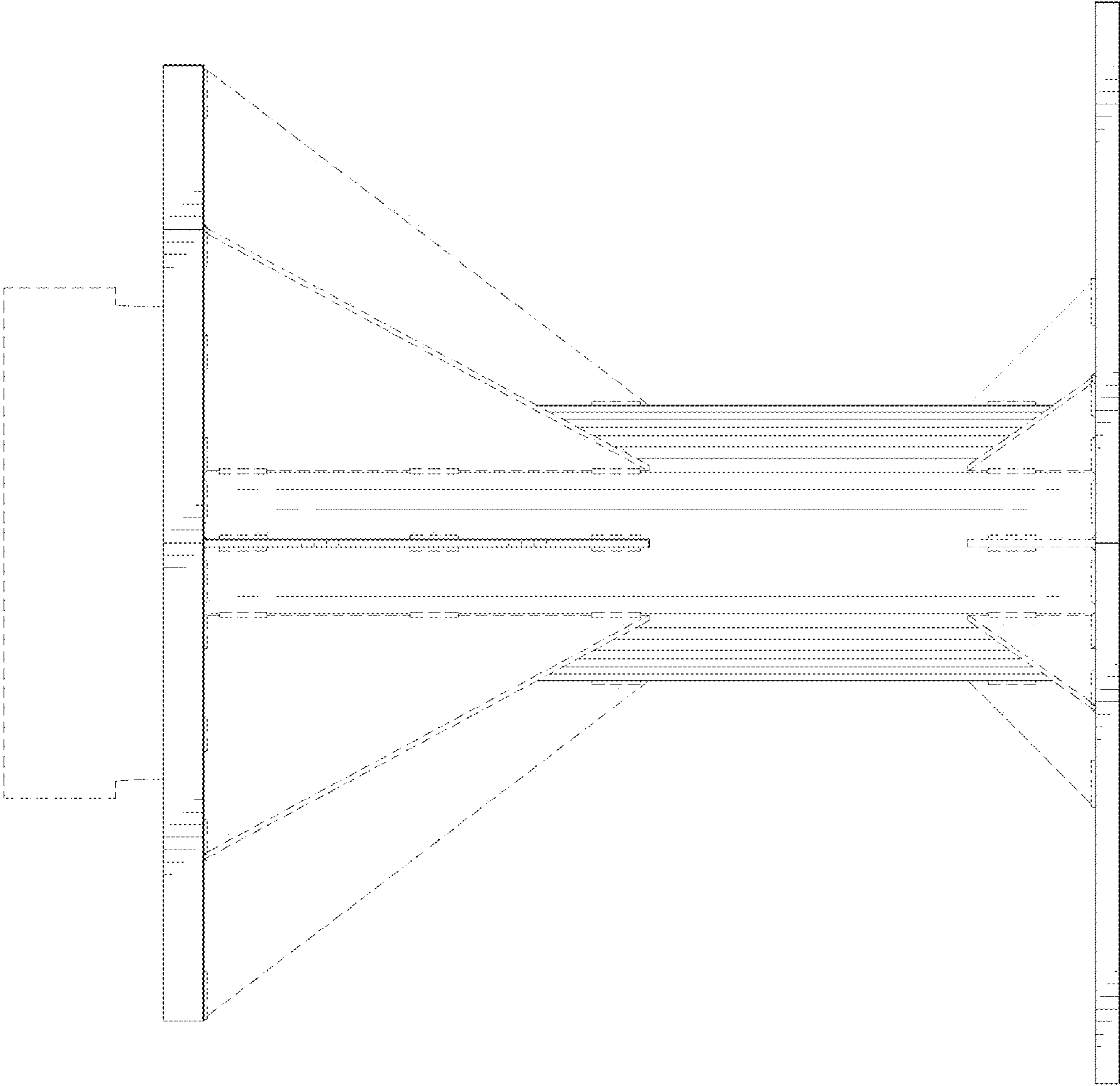


FIG. 2

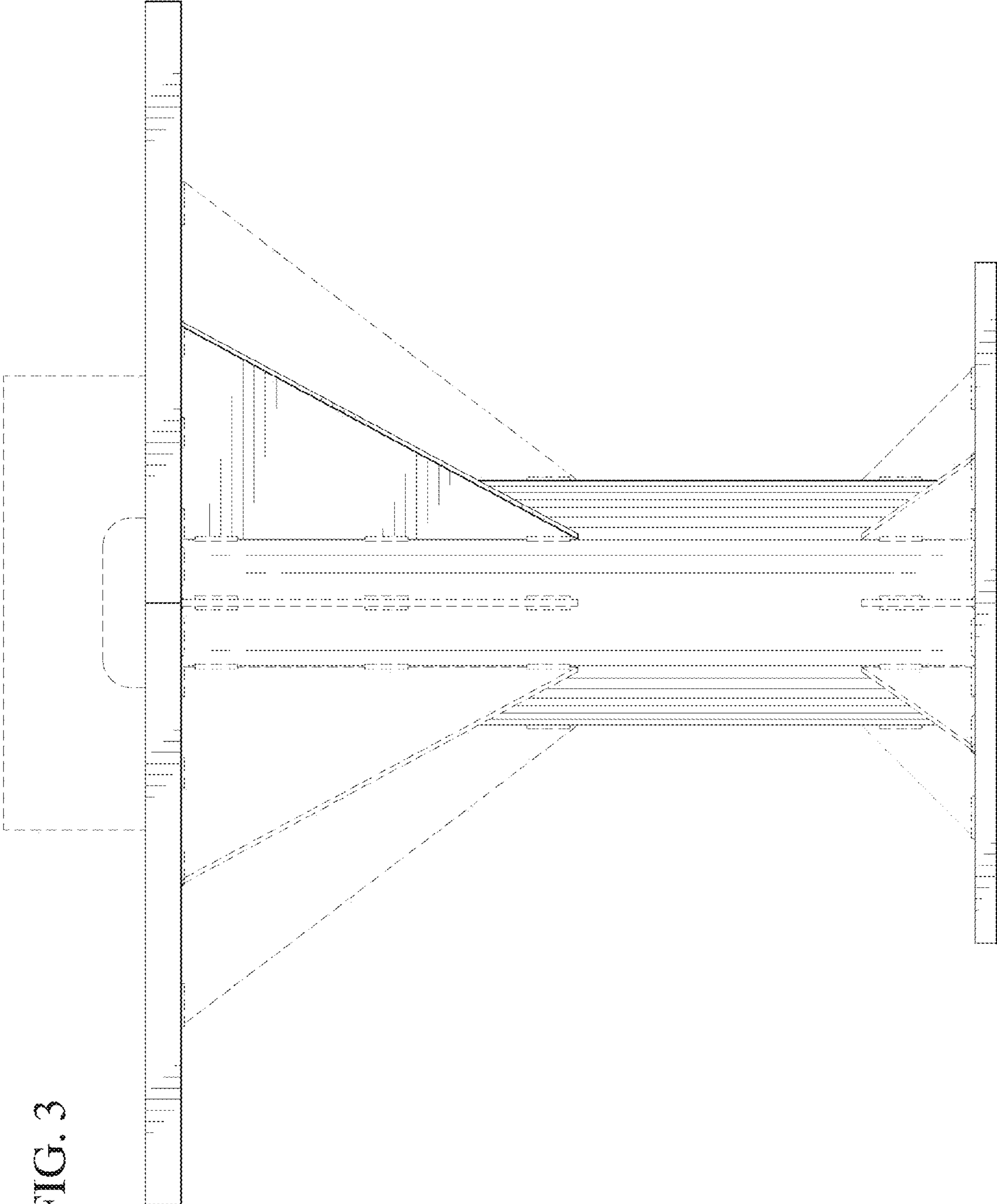


FIG. 3

FIG. 4

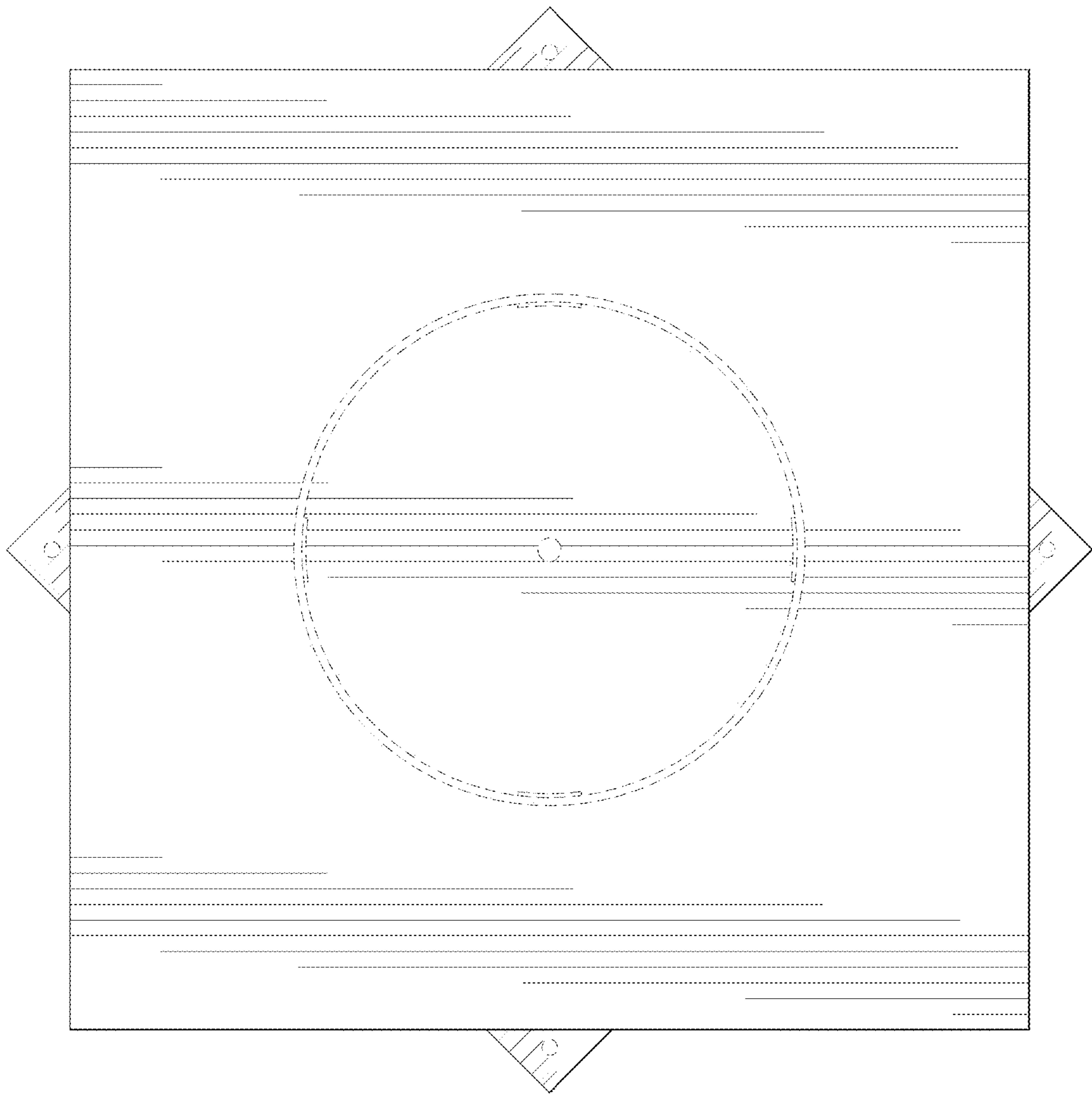


FIG. 5

