



US00D903901S

(12) **United States Design Patent** (10) **Patent No.:** **US D903,901 S**
Griffin (45) **Date of Patent:** **** Dec. 1, 2020**

(54) **MEDICAL INSTRUMENTS TRAY**
(71) Applicant: **Practicon, Inc.**, Greenville, NC (US)
(72) Inventor: **Bradley P. Griffin**, Greenville, NC (US)
(73) Assignee: **PRACTICON, INC.**, Greenville, NC (US)

(**) Term: **15 Years**

(21) Appl. No.: **29/629,265**
(22) Filed: **Dec. 12, 2017**
(51) **LOC (12) Cl.** **24-02**
(52) **U.S. Cl.**
USPC **D24/229**
(58) **Field of Classification Search**
USPC D24/107, 216, 224-232; D3/203.1, 276,
D3/277, 291, 306, 304

(Continued)

(56) **References Cited**

U.S. PATENT DOCUMENTS

4,798,292 A 1/1989 Hauze
D313,651 S * 1/1991 Michelson D24/217
(Continued)

FOREIGN PATENT DOCUMENTS

EP 0750517 A1 1/1997
EP 1053755 A2 11/2000
EP 0804253 B1 8/2001

OTHER PUBLICATIONS

Practicon Introduces Updated Cool Cassette 2 Instrument Trays. Online, published date Oct. 30, 2017. Retrieved on Feb. 2, 2019 from URL: <http://www.orthodonticproductsonline.com/2017/10/practicon-introduces-updated-cool-cassette-2-instrument-trays/>.*

Primary Examiner — Michael C Stout
Assistant Examiner — Omeed Agilee
(74) *Attorney, Agent, or Firm* — Ward and Smith, P.A.; Ryan K. Simmons

(57) **CLAIM**

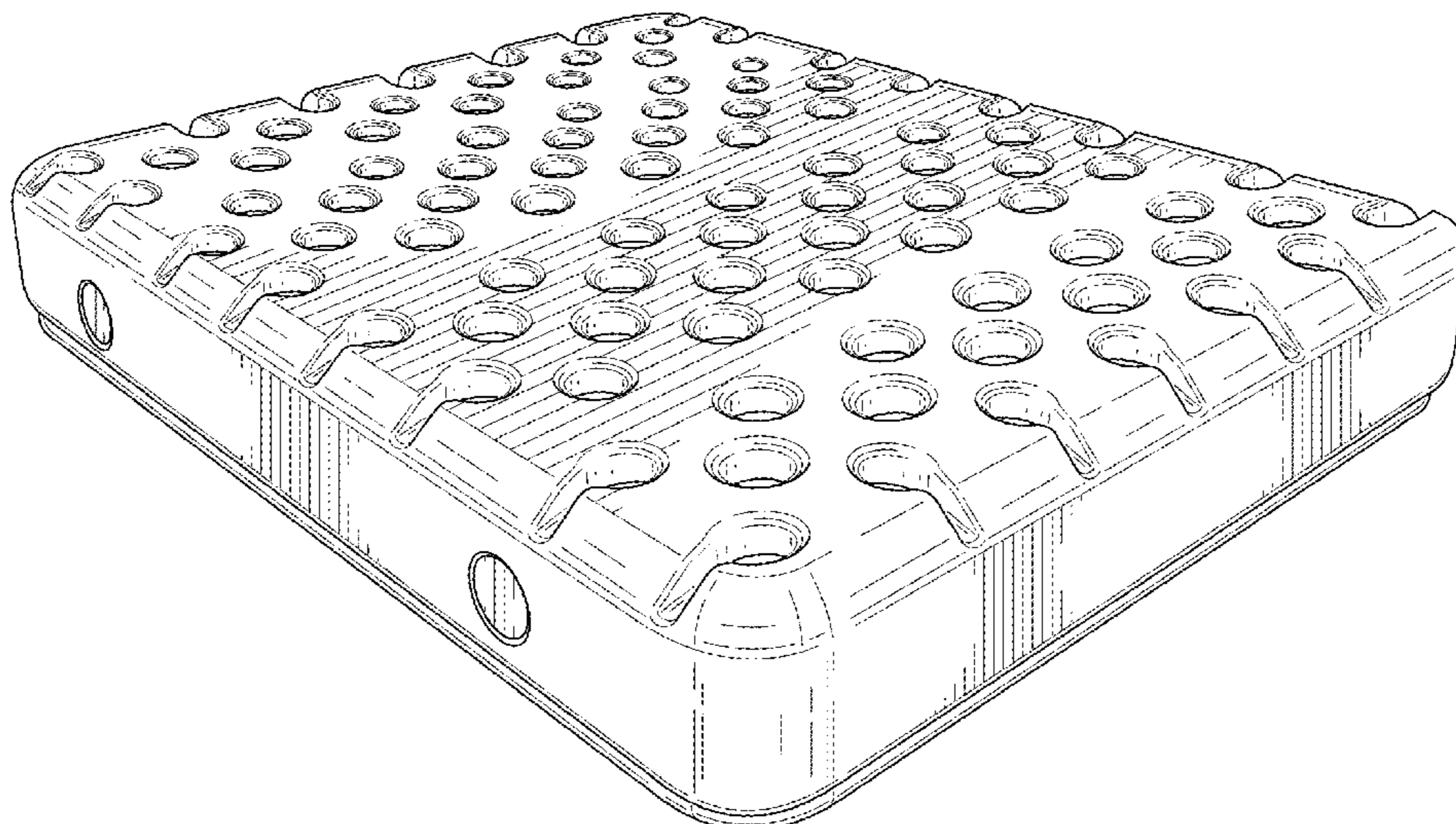
The ornamental design for a medical instruments tray, as shown and described.

DESCRIPTION

FIG. 1 is a top perspective view of a medical instruments tray showing a new design;
FIG. 2 is a bottom perspective view thereof;
FIG. 3 is a top plan view thereof;
FIG. 4 is a bottom plan view thereof;
FIG. 5 is a left side elevation view thereof;
FIG. 6 is a right side elevation view thereof;
FIG. 7 is a front elevation view thereof;
FIG. 8 is a rear elevation view thereof;
FIG. 9 is a top perspective view of a cover portion of the medical instruments tray of FIG. 1;
FIG. 10 is a bottom perspective view thereof;
FIG. 11 is a top plan view thereof;
FIG. 12 is a bottom plan view thereof;
FIG. 13 is a left side elevation view thereof;
FIG. 14 is a right side elevation view thereof;
FIG. 15 is a front elevation view thereof;
FIG. 16 is a rear elevation view thereof;
FIG. 17 is a top perspective view of a bottom portion of the medical instruments tray of FIG. 1;
FIG. 18 is a bottom perspective view thereof;
FIG. 19 is a bottom plan view thereof;
FIG. 20 is a top plan view thereof;
FIG. 21 is a left side elevation view thereof;
FIG. 22 is a right side elevation view thereof;
FIG. 23 is a front elevation view thereof; and,
FIG. 24 is a rear elevation view thereof.

In the drawings the broken lines are for the purpose of illustrating environment only and form no part of the claimed design.

1 Claim, 24 Drawing Sheets



US D903,901 S

Page 2

(58) **Field of Classification Search**

CPC ... A61L 2/20; A61L 2/26; A61B 19/02; A61B
50/00

See application file for complete search history.

(56) **References Cited**

U.S. PATENT DOCUMENTS

D339,424 S * 9/1993 Riley D24/217
5,279,800 A 1/1994 Berry, Jr.
5,284,632 A * 2/1994 Kudla A61L 2/26
422/297
D359,126 S * 6/1995 Hovatter D24/229
D369,415 S * 4/1996 Boulton D24/224
6,116,452 A 9/2000 Hamel et al.
6,193,932 B1 * 2/2001 Wu A61L 2/07
206/210
6,264,902 B1 7/2001 Howlett
6,365,115 B1 4/2002 Wood
6,379,631 B1 4/2002 Wu
6,572,819 B1 6/2003 Wu et al.

6,692,693 B2 2/2004 Wu
7,021,485 B1 4/2006 Baker et al.
D530,824 S * 10/2006 Bennison D24/217
D639,546 S * 6/2011 MacNeill D3/203.1
8,272,508 B2 9/2012 Bettenhausen et al.
D699,371 S * 2/2014 Williams D24/230
D732,187 S * 6/2015 Houkal D24/227
D764,068 S * 8/2016 Tipton D24/217
D783,177 S * 4/2017 Kawamura D24/227
9,610,126 B2 * 4/2017 Griffin A61B 50/30
D838,004 S * 1/2019 Houkal D24/230
D840,053 S * 2/2019 Kamees D24/230
2005/0095169 A1 5/2005 Su-Syin
2005/0161355 A1 * 7/2005 Matthis A61C 19/02
206/370
2007/0104609 A1 5/2007 Powell
2008/0159918 A1 7/2008 Wu
2011/0071572 A1 3/2011 Sixto et al.
2015/0122682 A1 * 5/2015 Kerboul A61C 3/04
206/370
2017/0136467 A1 * 5/2017 Johns B01L 9/06

* cited by examiner

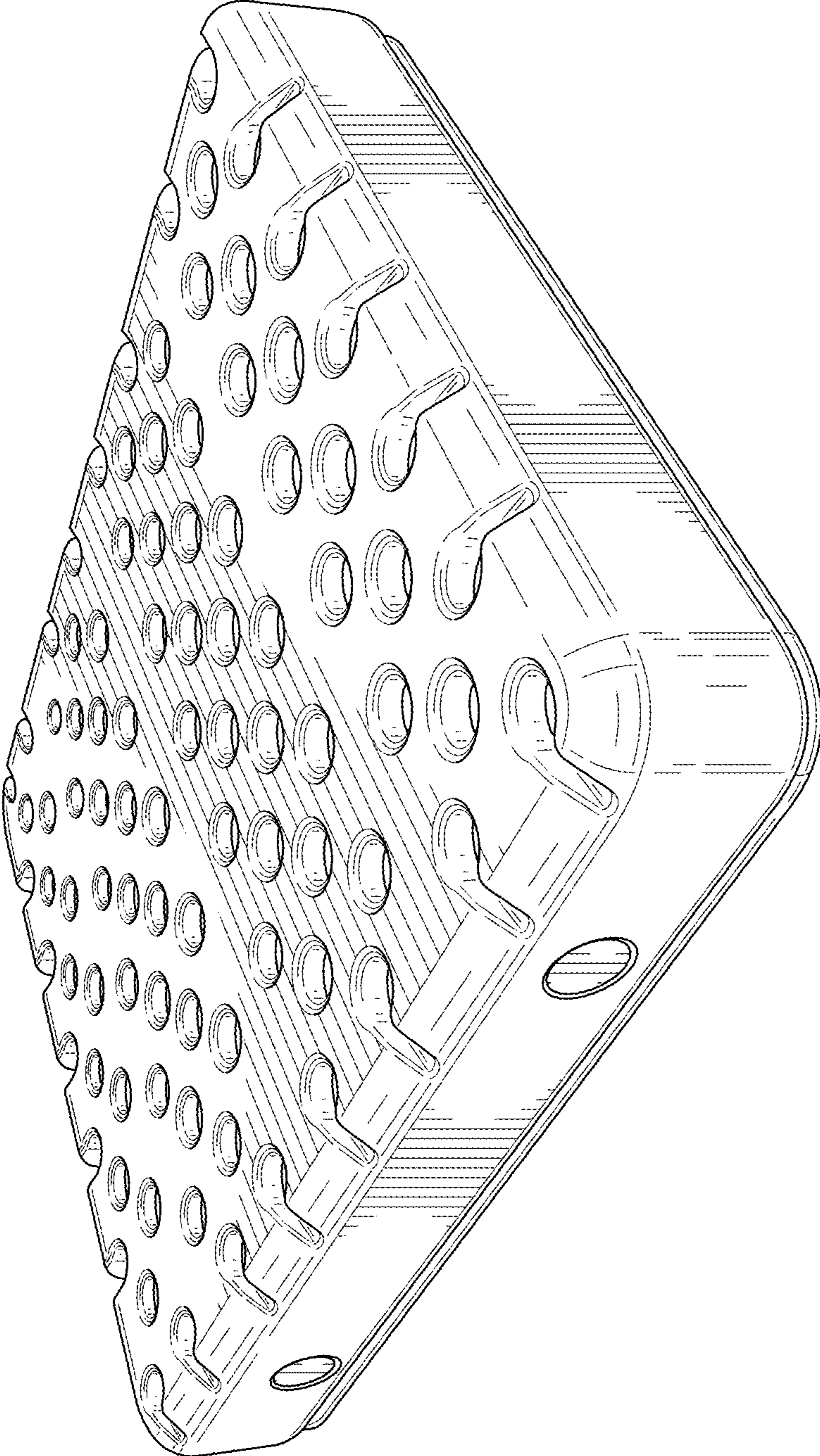


FIG. 1

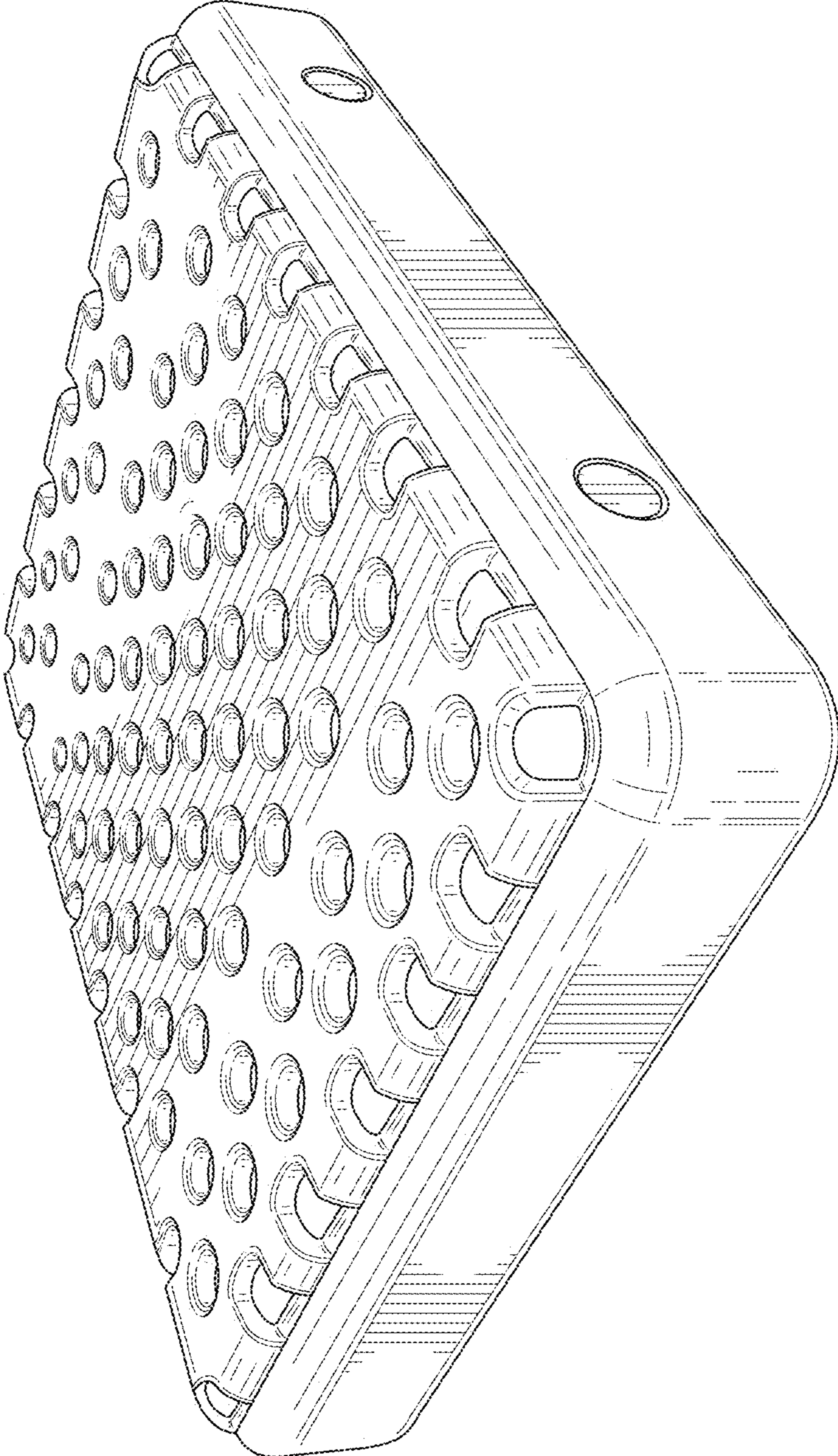


FIG. 2

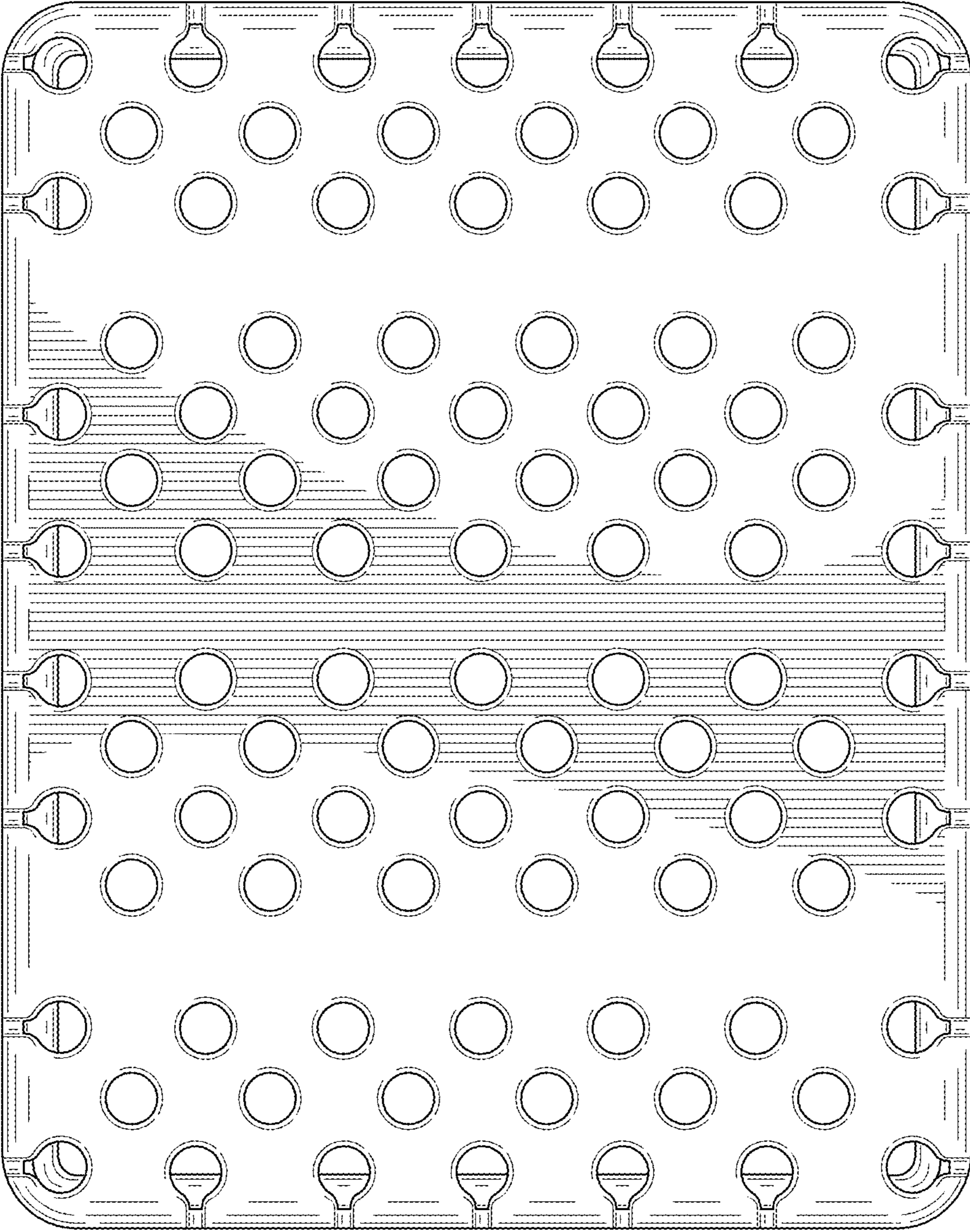


FIG. 3

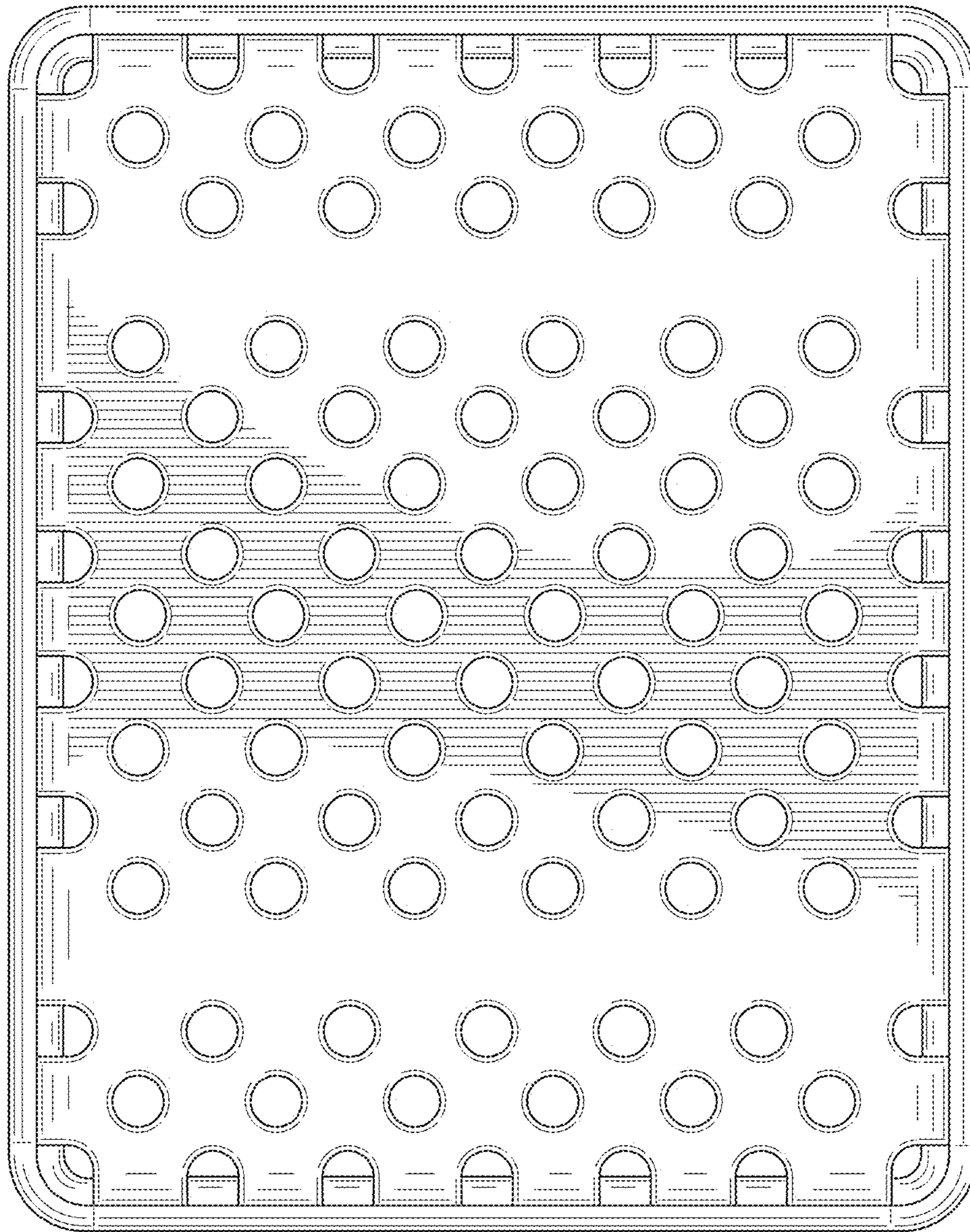


FIG. 4

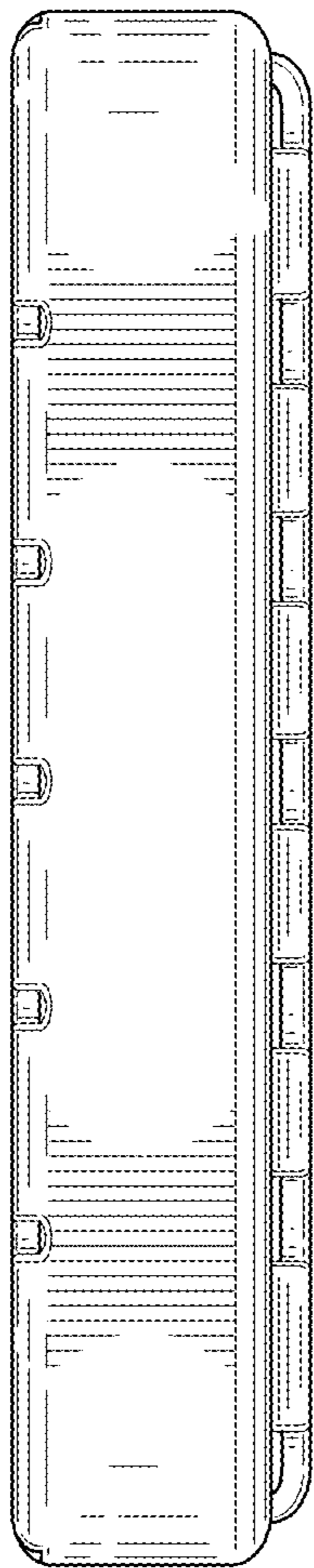


FIG. 5

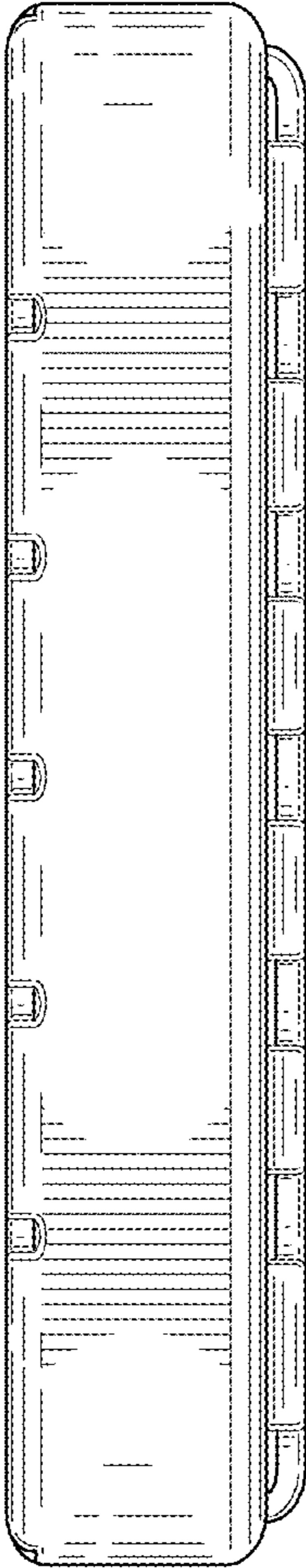


FIG. 6

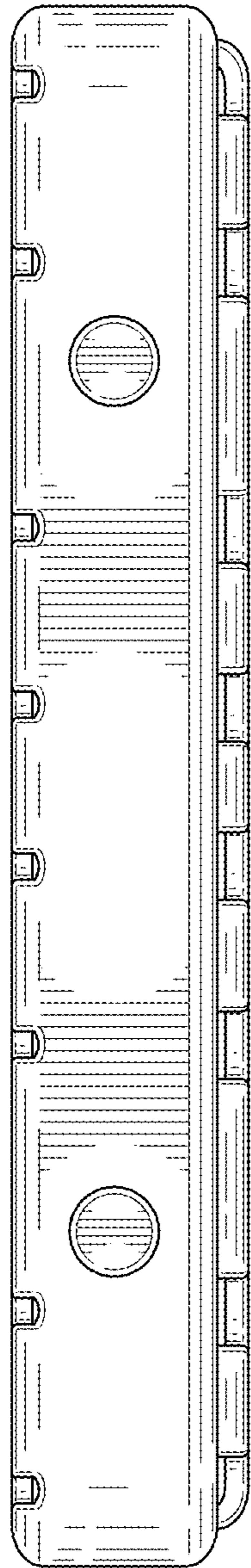


FIG. 7

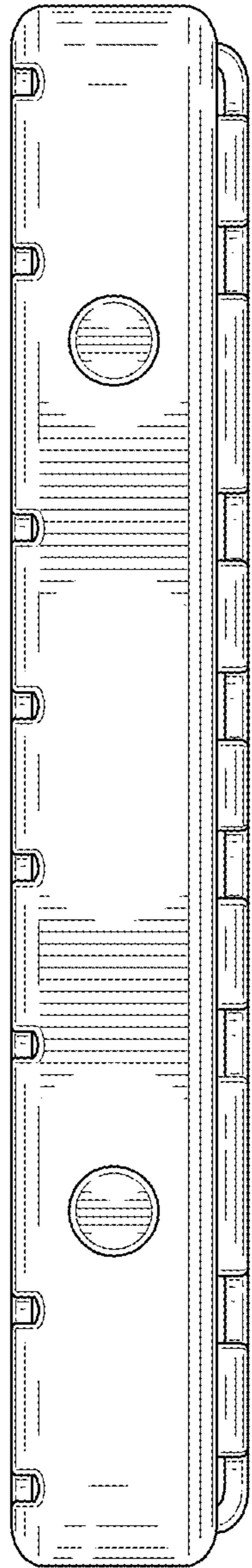


FIG. 8

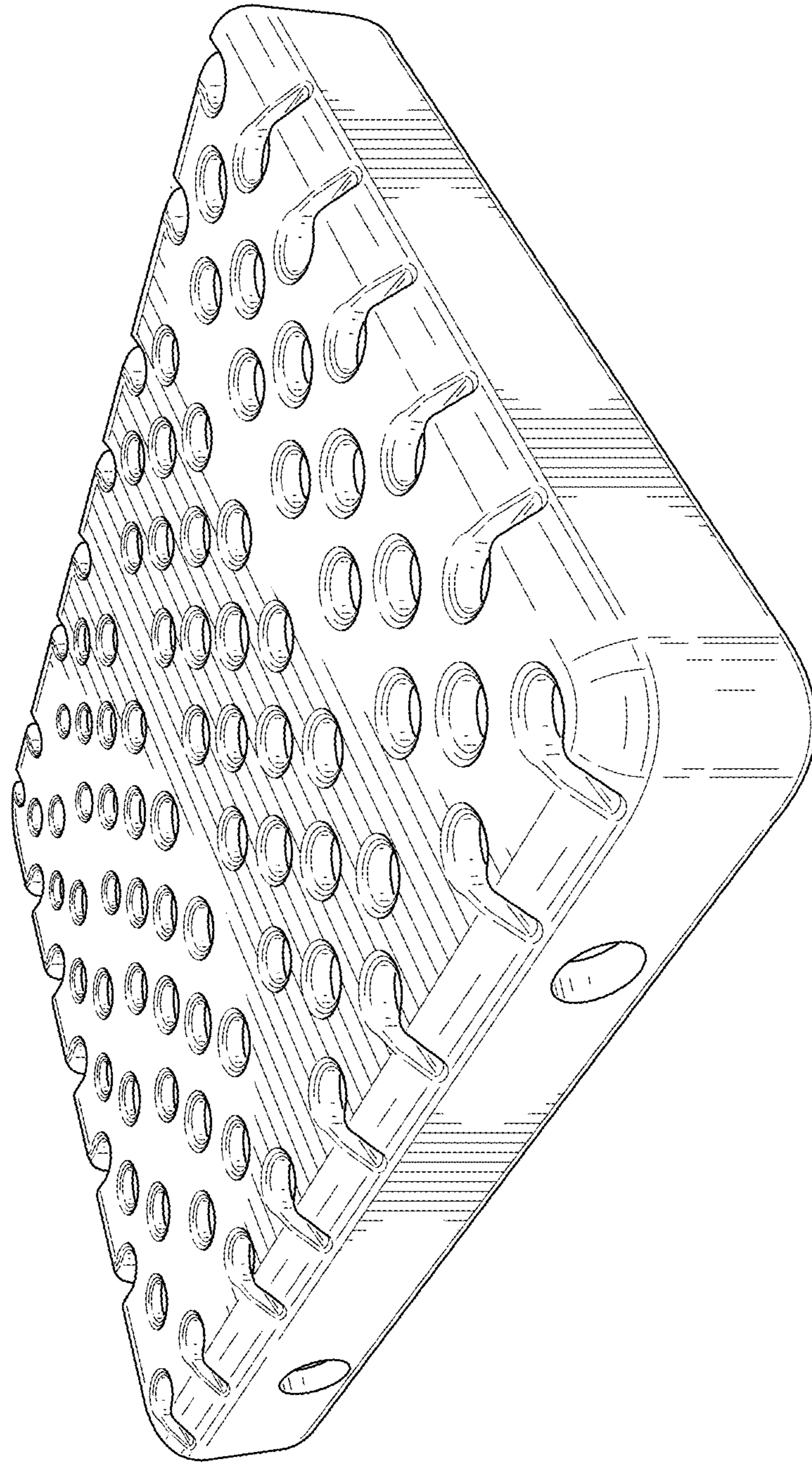


FIG. 9

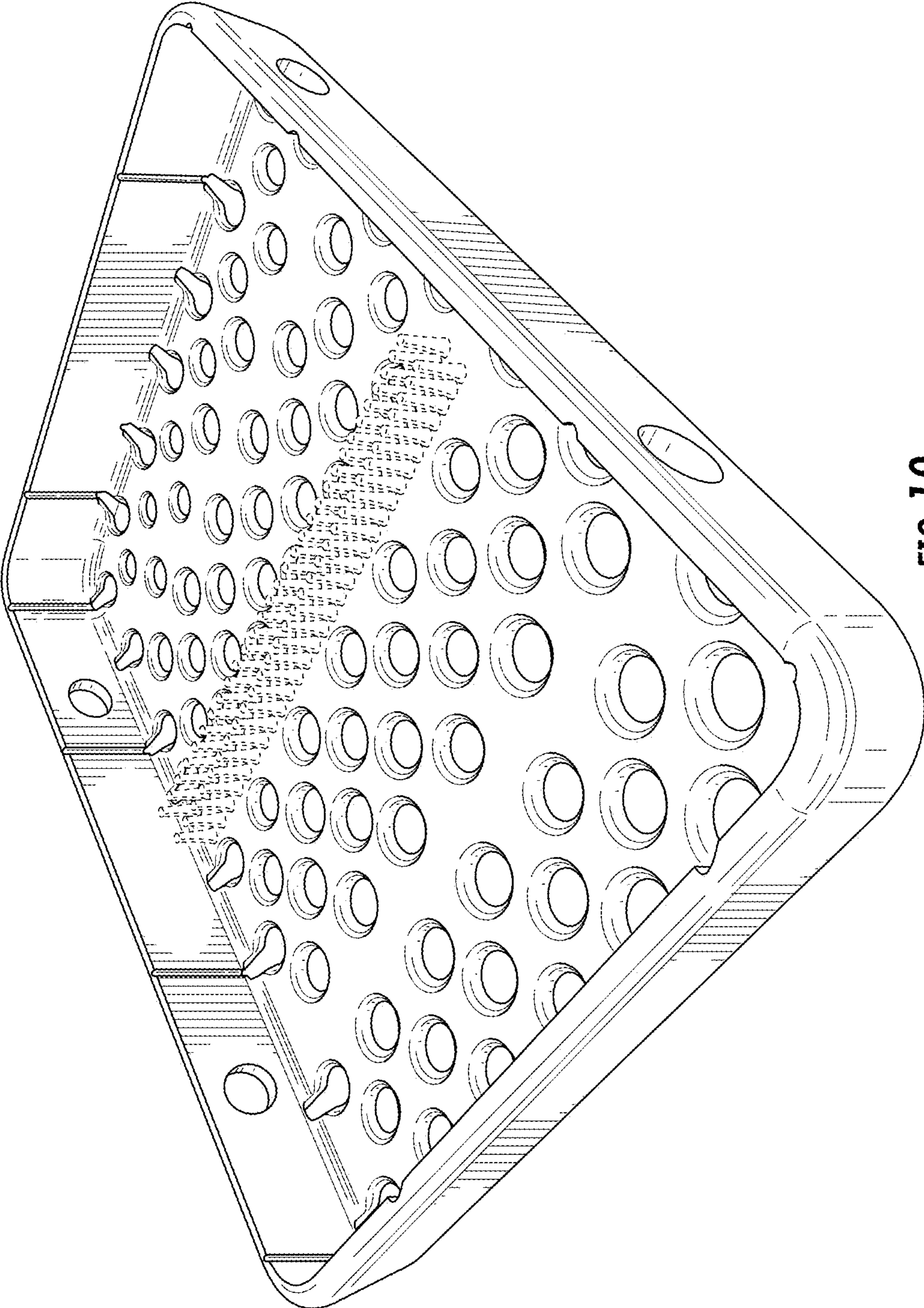


FIG. 10

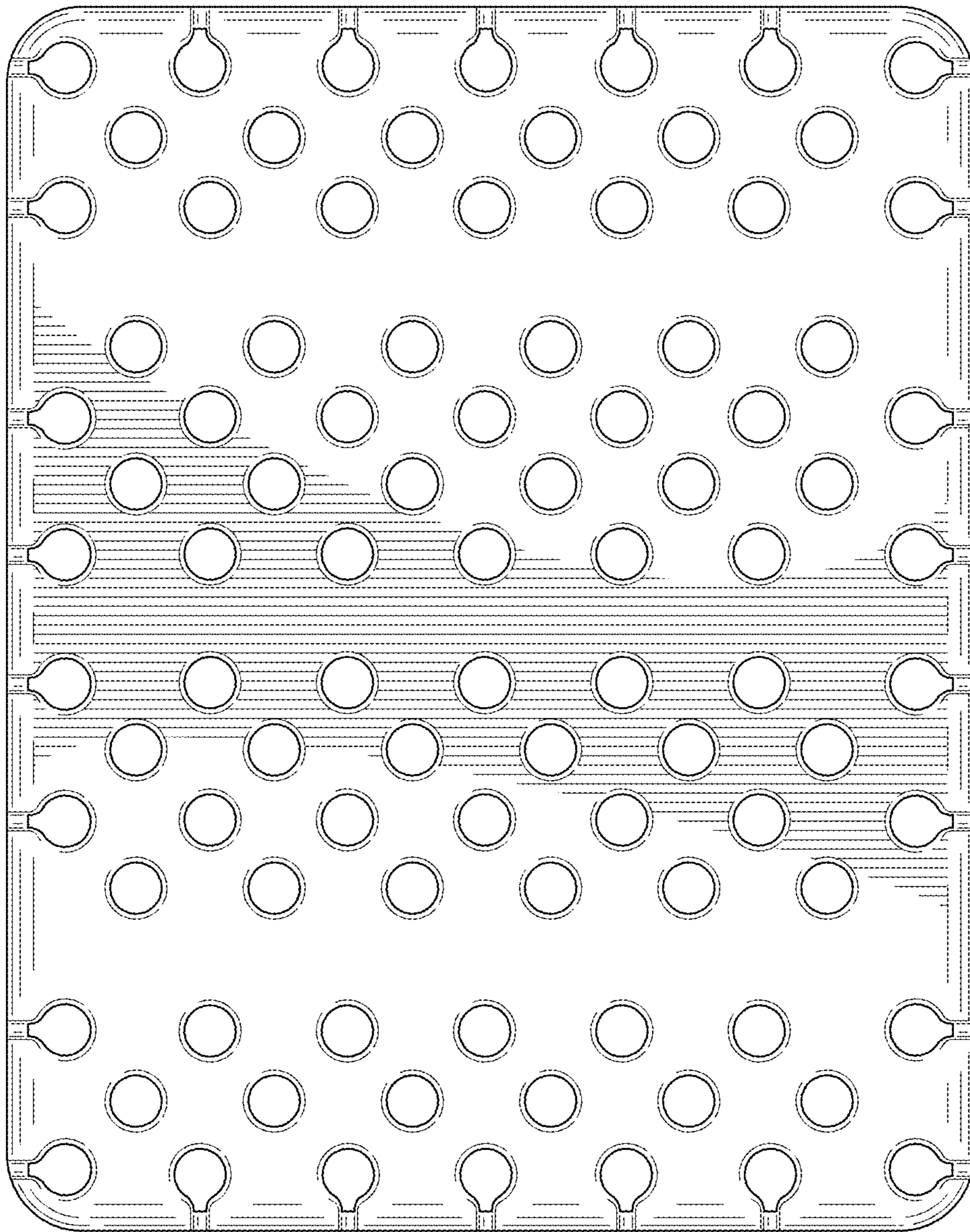


FIG. 11

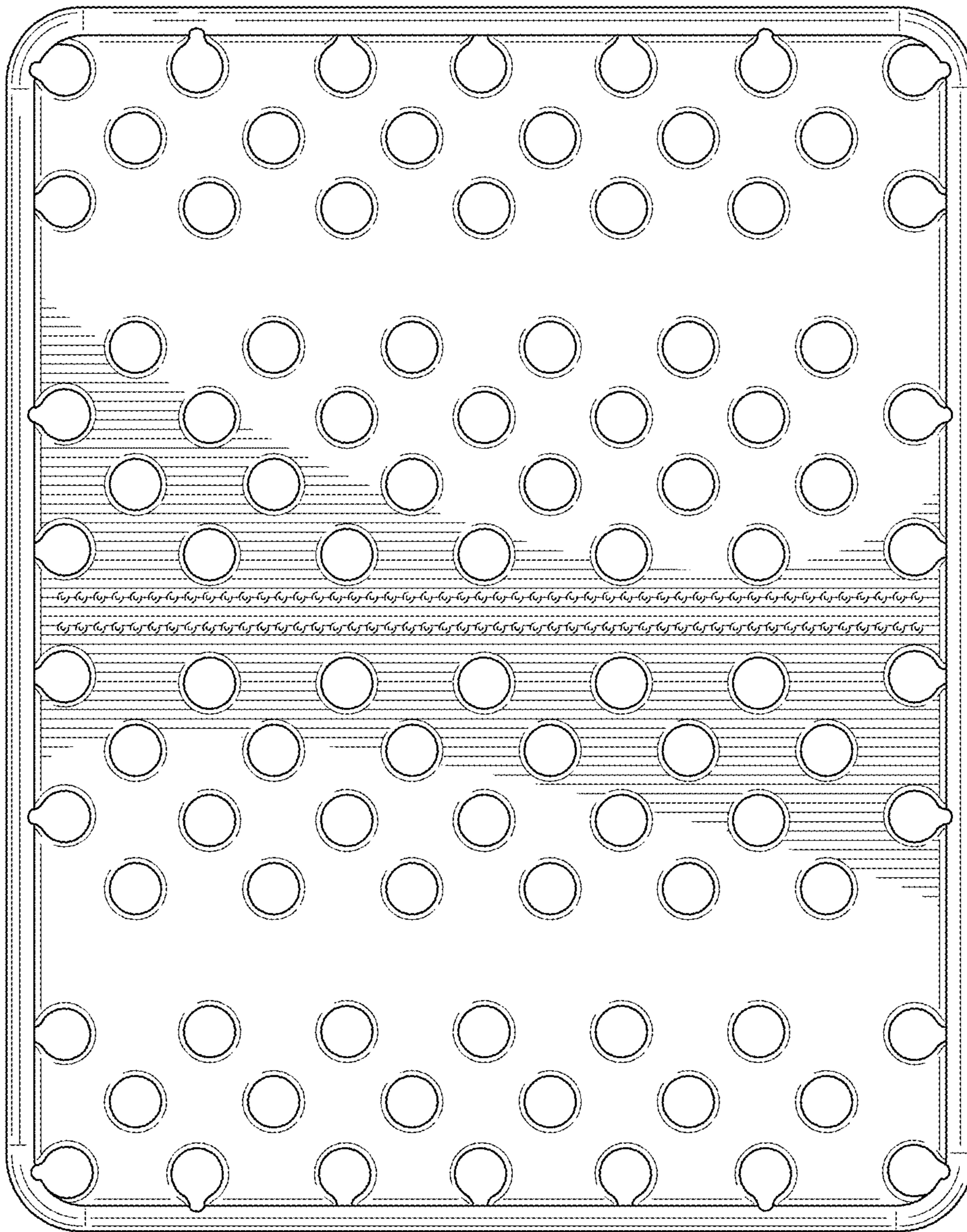


FIG. 12

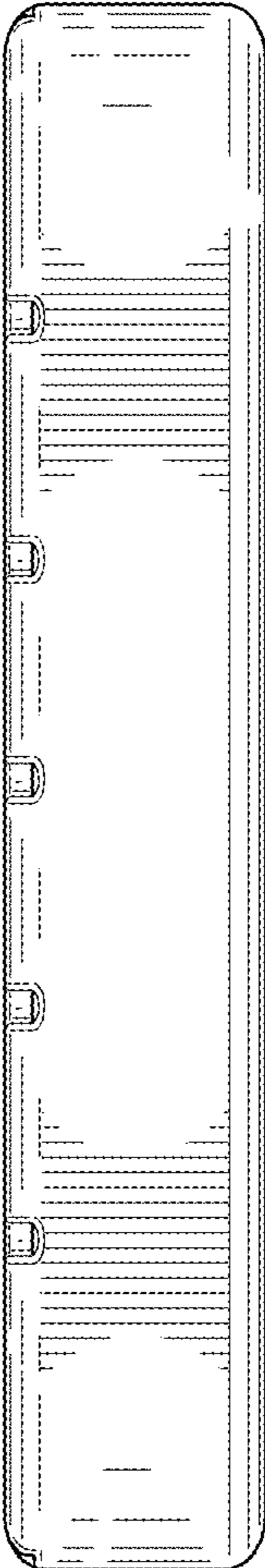


FIG. 13

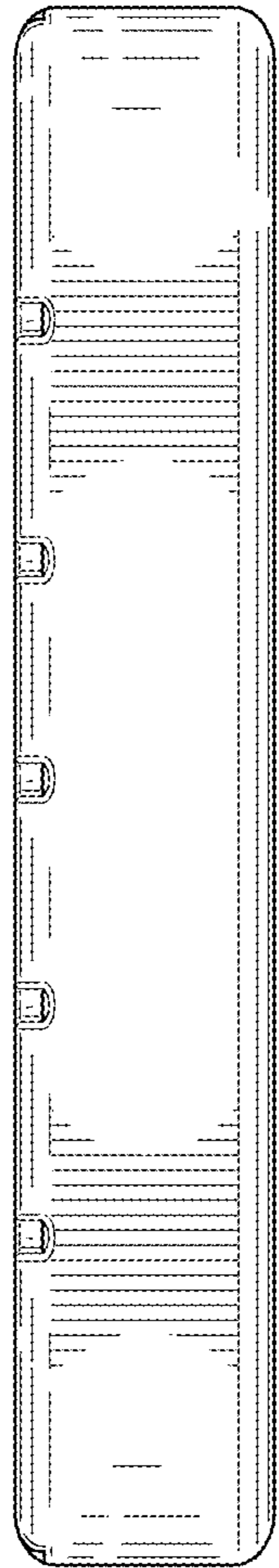


FIG. 14

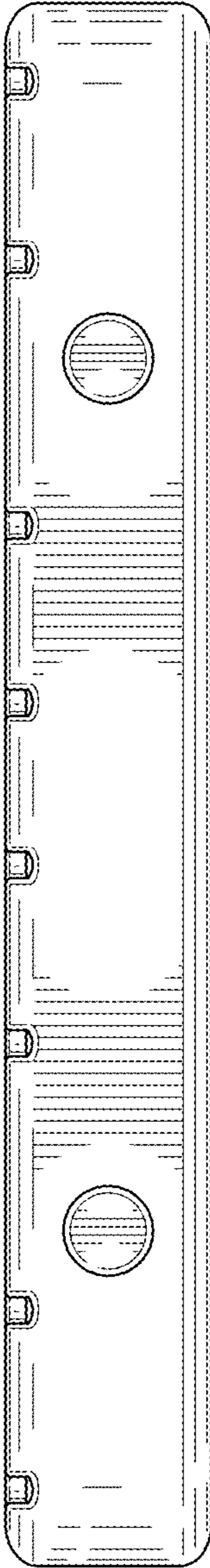


FIG. 15

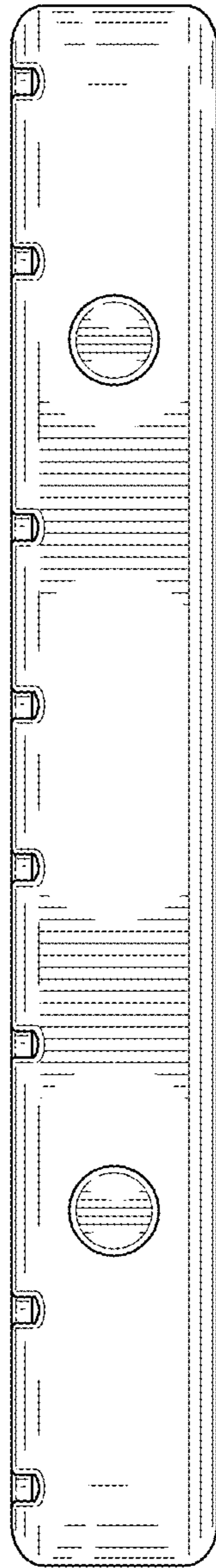


FIG. 16

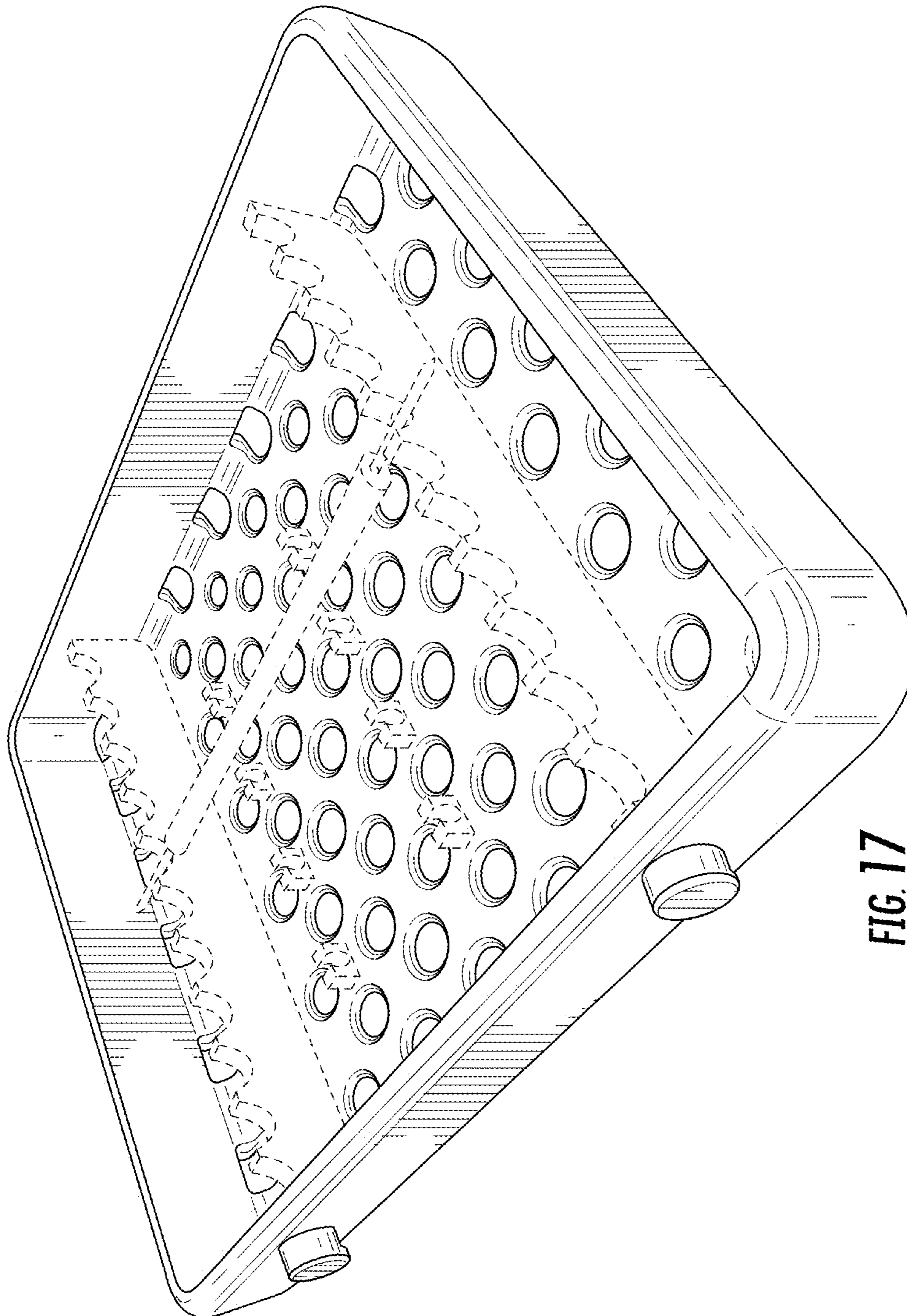


FIG. 17

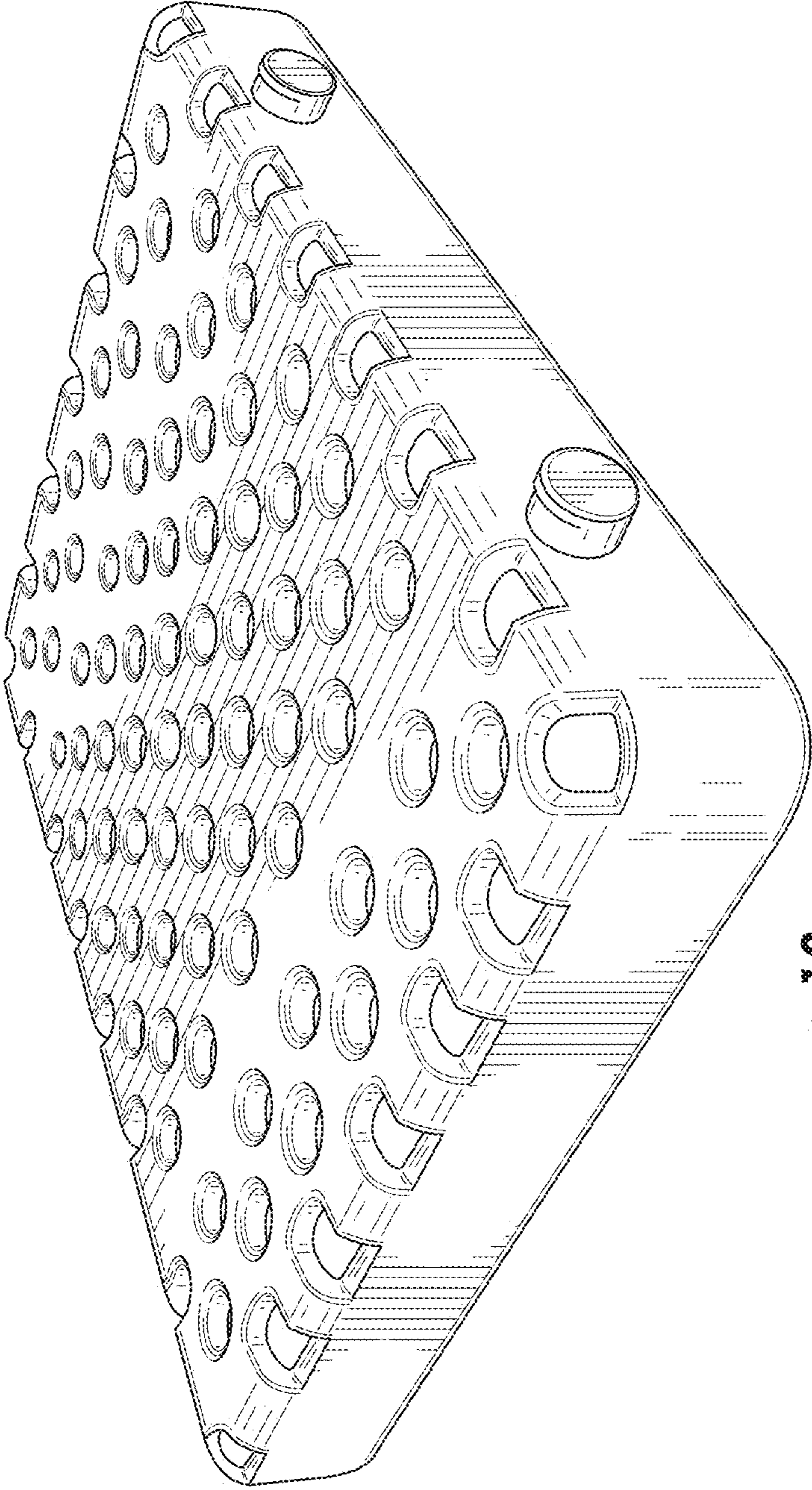


FIG. 18

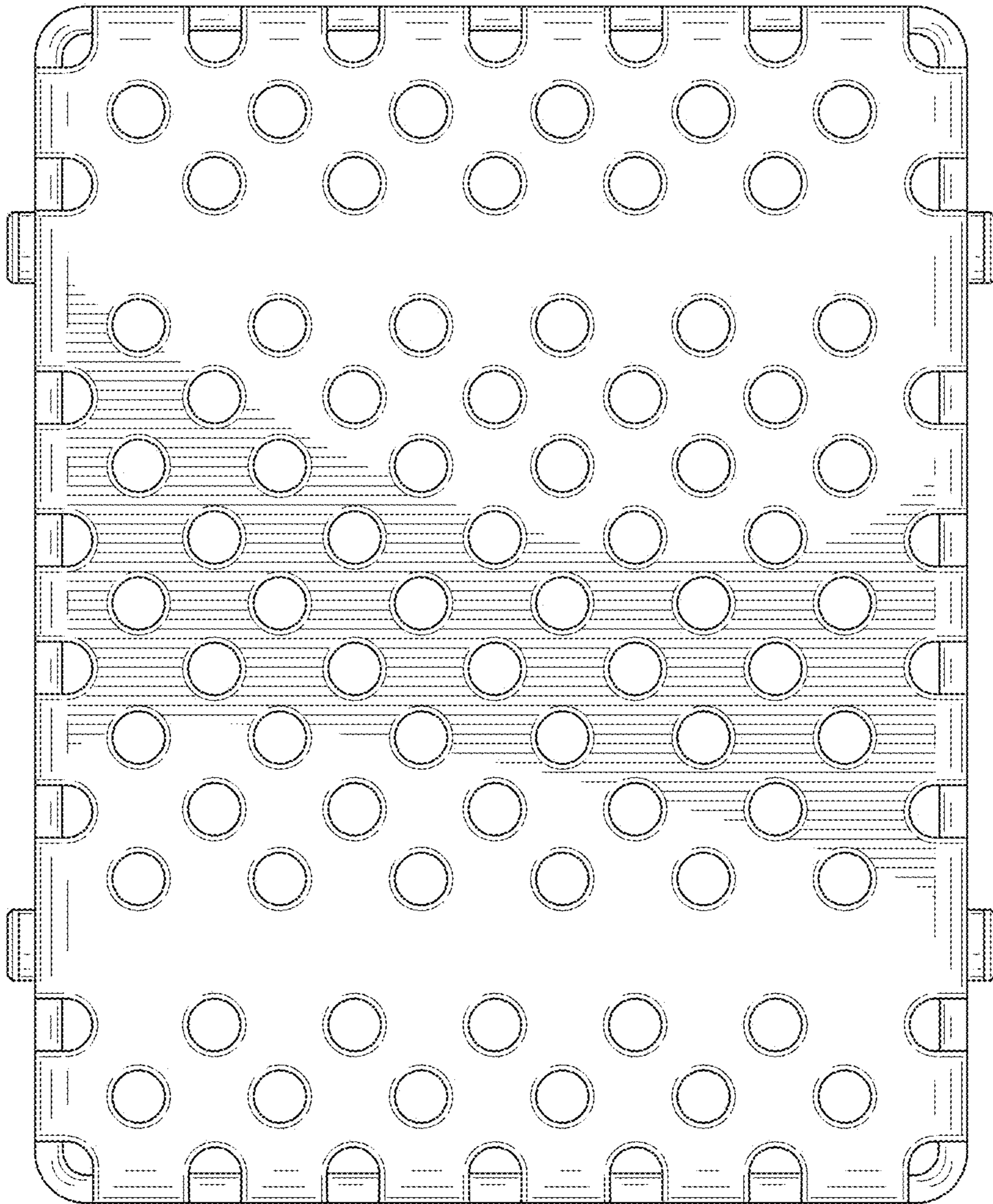


FIG. 19

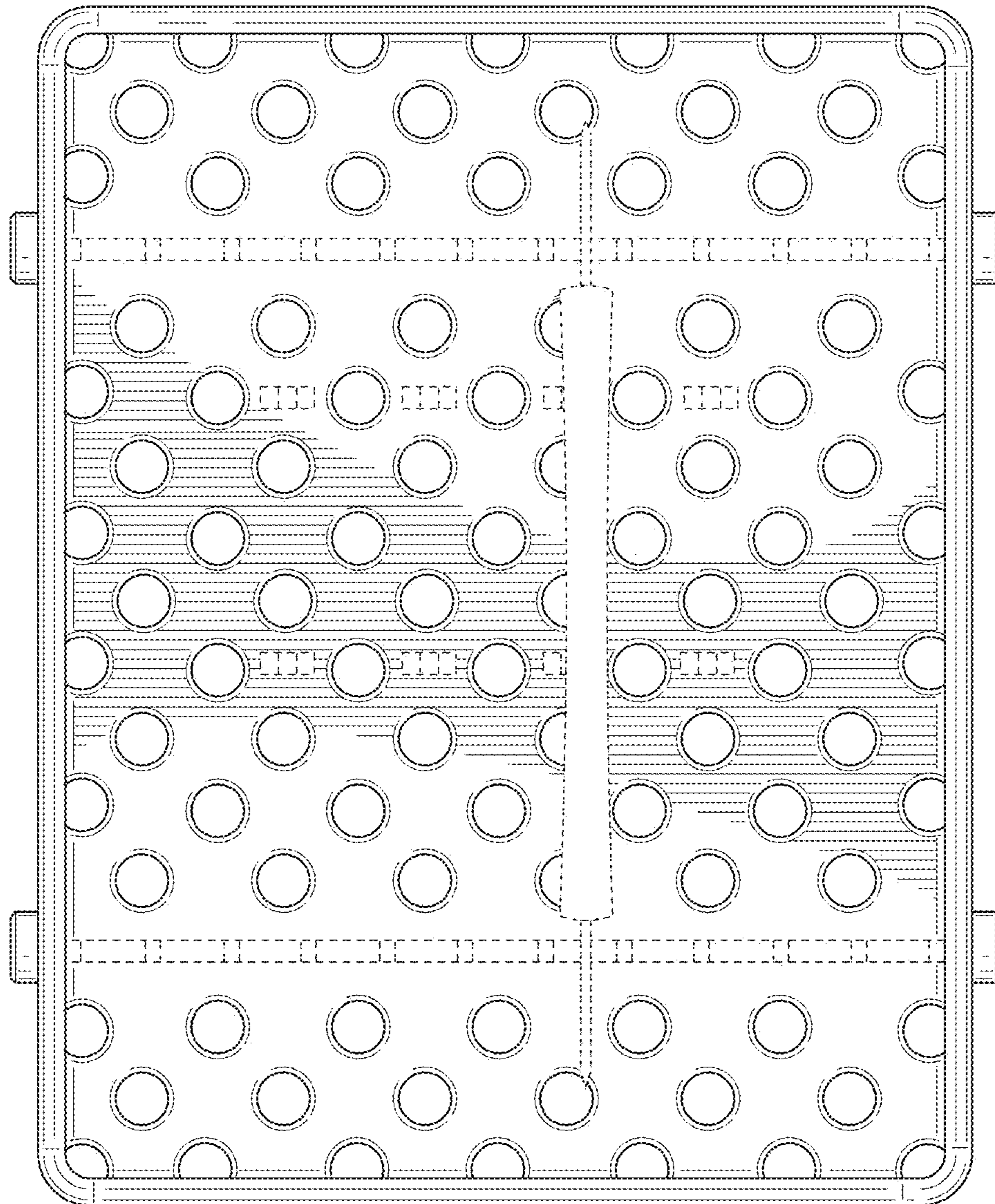


FIG. 20

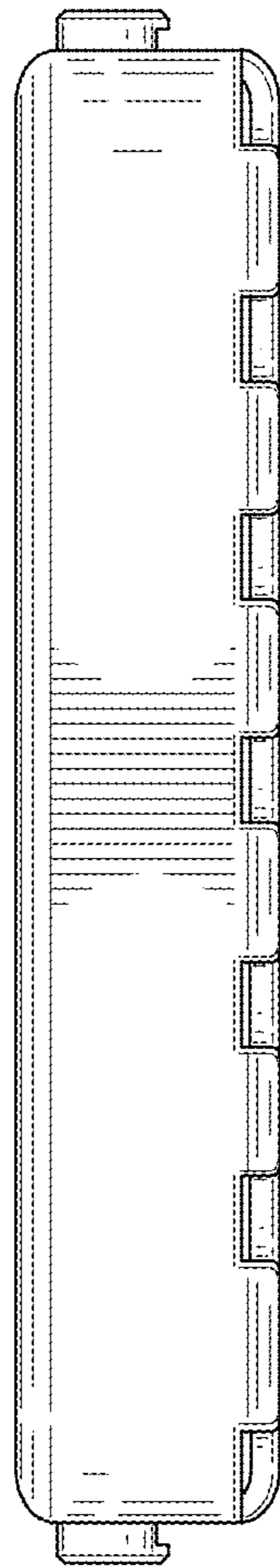


FIG. 21

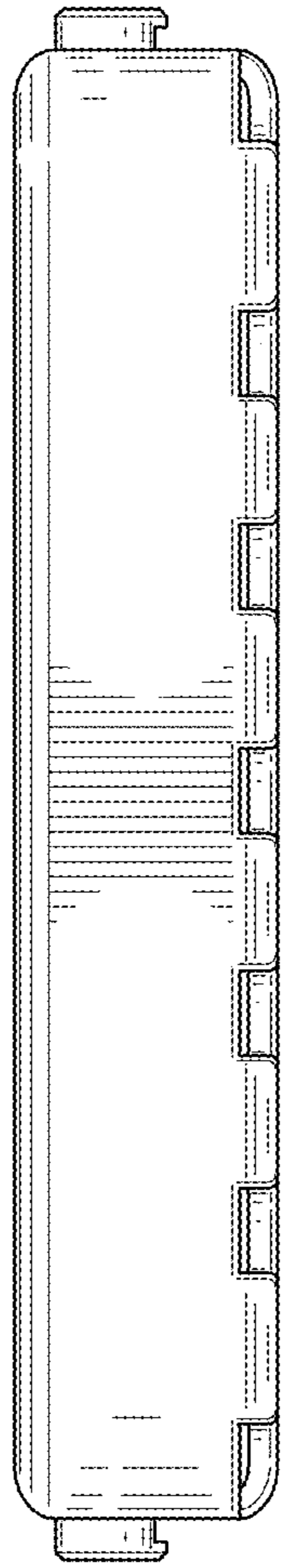


FIG. 22

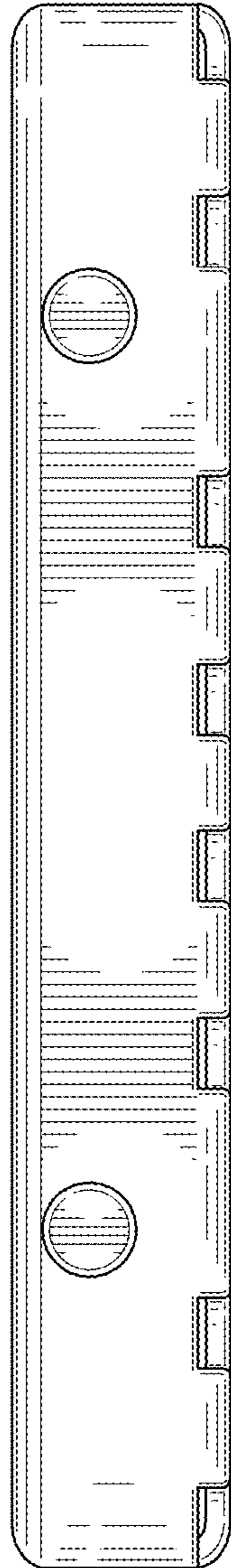


FIG. 23

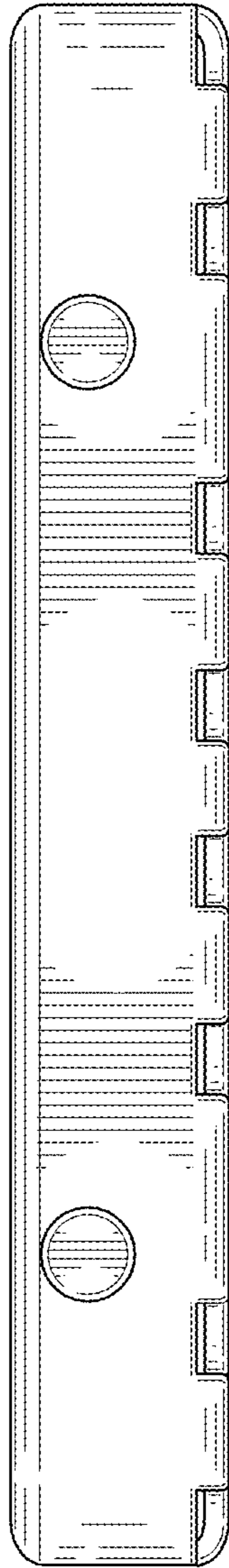


FIG. 24