



US00D903900S

(12) **United States Design Patent** (10) **Patent No.:** **US D903,900 S**
Arlington (45) **Date of Patent:** **** Dec. 1, 2020**

(54) **SLIDE HOLDER**

(71) Applicant: **The Research Institute at Nationwide Children's Hospital**, Columbus, OH (US)

(72) Inventor: **Mitchell D. Arlington**, Marysville, OH (US)

(73) Assignee: **Research Institute at Nationwide Children's Hospital**, Columbus, OH (US)

(**) Term: **15 Years**

(21) Appl. No.: **29/689,517**

(22) Filed: **Apr. 30, 2019**

(51) **LOC (12) Cl.** **24-02**

(52) **U.S. Cl.**
USPC **D24/227; D24/225**

(58) **Field of Classification Search**
USPC **D24/216, 217, 219, 223-227, 229-232; D10/81**

CPC **B01L 3/508; G01N 1/2813; G02B 27/32**
See application file for complete search history.

(56) **References Cited**

U.S. PATENT DOCUMENTS

- D293,024 S * 12/1987 Holewinski D24/226
- 4,819,804 A * 4/1989 Levy B65D 85/48
206/456
- D320,448 S * 10/1991 Short D24/225
- D359,127 S * 6/1995 Biesecker D24/227
- D380,765 S * 7/1997 Kernan D16/236
- D456,083 S * 4/2002 Clark D24/225
- 9,034,634 B2 * 5/2015 Miller B01L 3/5027
435/283.1
- D750,800 S * 3/2016 Ito D24/225

- D867,613 S * 11/2019 Ohmura D24/226
- D876,666 S * 2/2020 Fisch D24/225
- D879,996 S * 3/2020 Fisch D24/225
- D879,997 S * 3/2020 Fisch D24/225
- D879,998 S * 3/2020 Fisch D24/225
- 2016/0147056 A1 * 5/2016 Corwin G02B 27/32
359/391

OTHER PUBLICATIONS

Nano-Z Series. Online, published date unknown. Retrieved on Jun. 22, 2020 from URL: <http://www.madcitylabs.com/nanozseries.html>.*

* cited by examiner

Primary Examiner — Susan Bennett Hattan

Assistant Examiner — Omeed Agilee

(74) *Attorney, Agent, or Firm* — John A. Yirga, Esq.; Tarolli, Sundheim, Covell & Tummino LLP

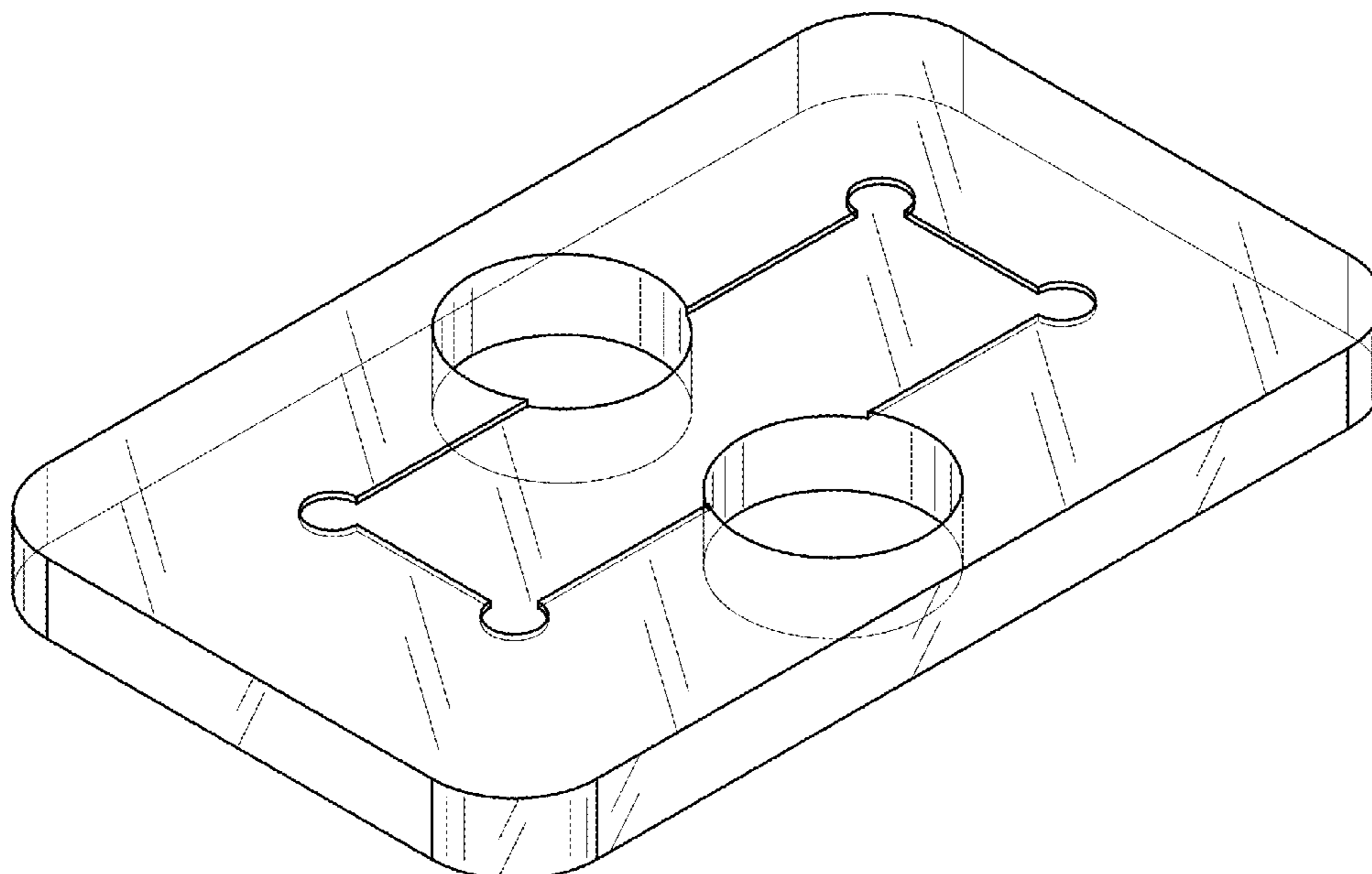
(57) **CLAIM**

The ornamental design for a slide holder, as shown and described.

DESCRIPTION

FIG. 1 is a top perspective view of a slide holder; FIG. 2 is a bottom perspective view thereof; FIG. 3 is a top plan view thereof; FIG. 4 is a bottom plan view thereof; FIG. 5 is a left side elevation view thereof; FIG. 6 is a right side elevation view thereof; FIG. 7 is a front elevation view thereof; FIG. 8 is a rear elevation view thereof; FIG. 9 is a section view of FIG. 3 along section lines 9-9; and, FIG. 10 is a section view of FIG. 3 along section lines 10-10. The broken lines in the drawings depict portions of the slide holder that form no part of the claimed design.

1 Claim, 7 Drawing Sheets



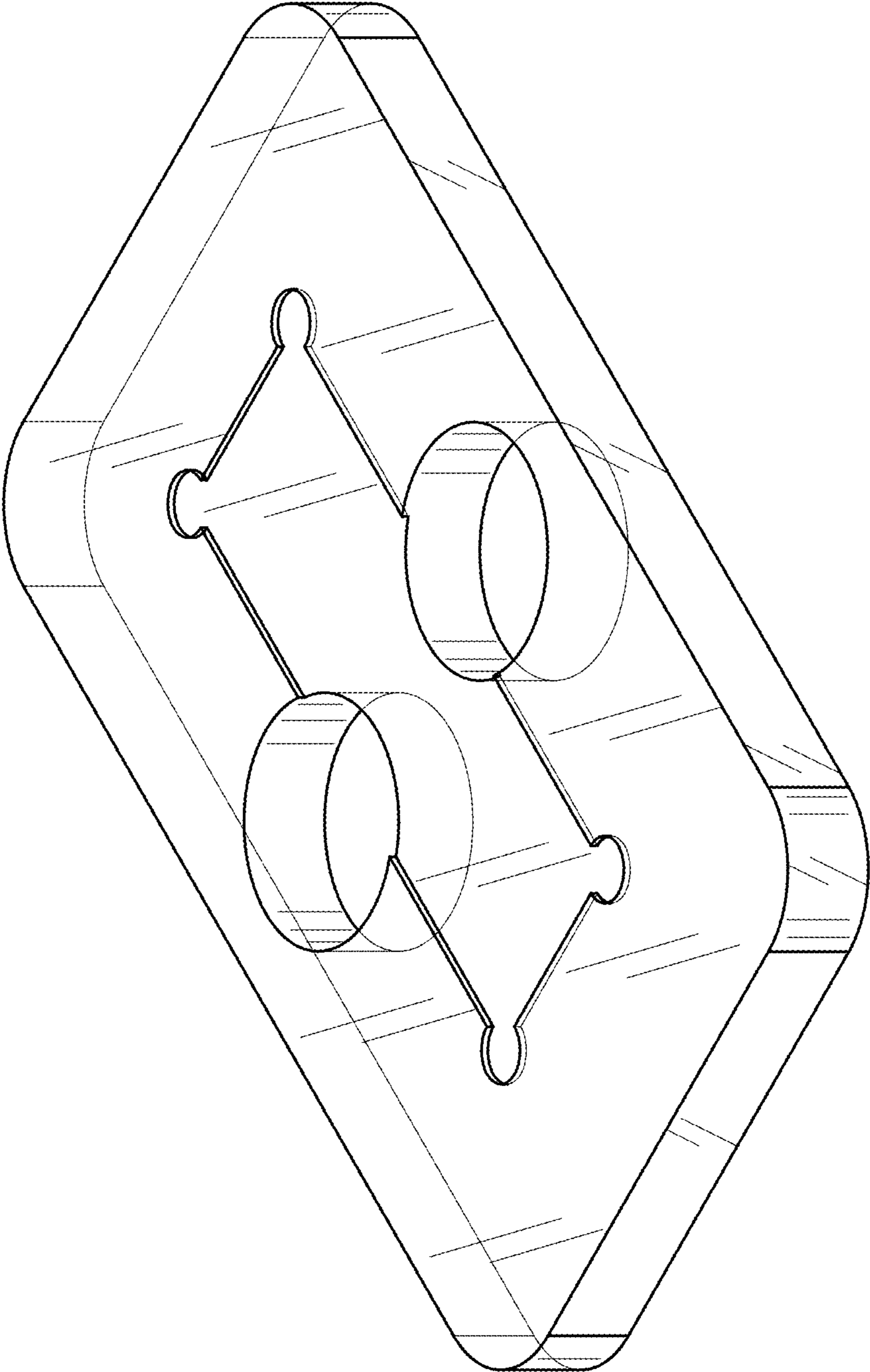


FIG. 1

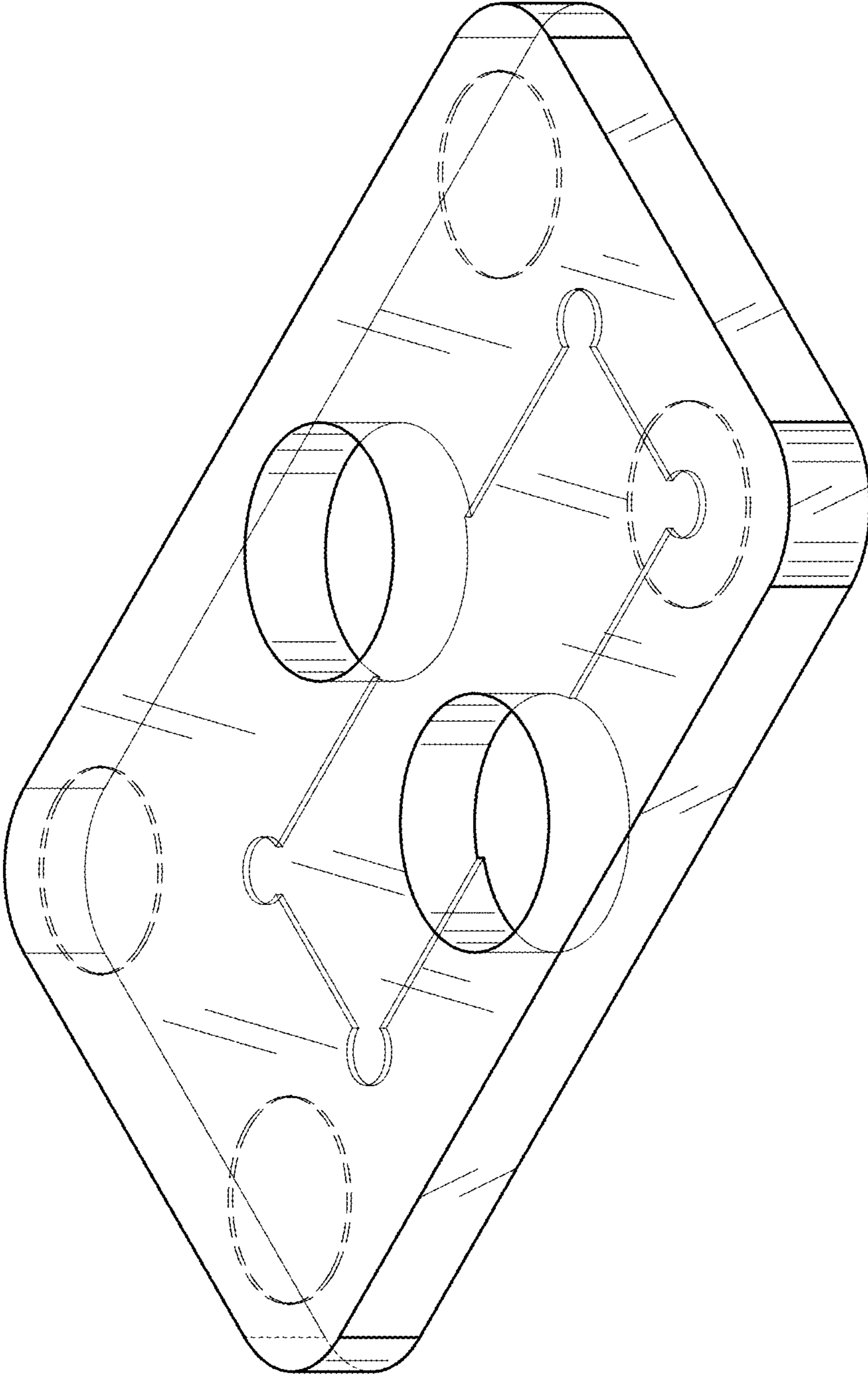


FIG. 2

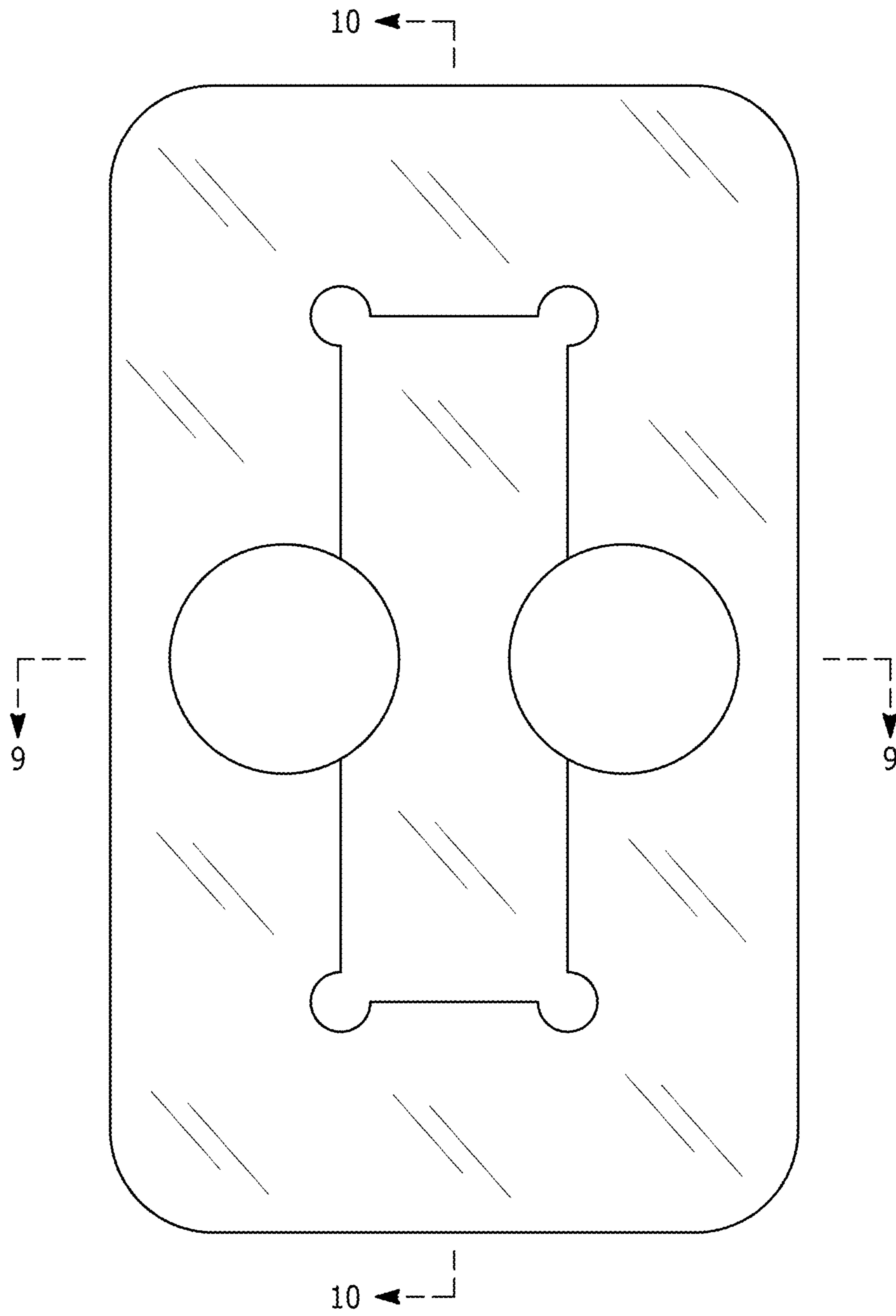


FIG. 3

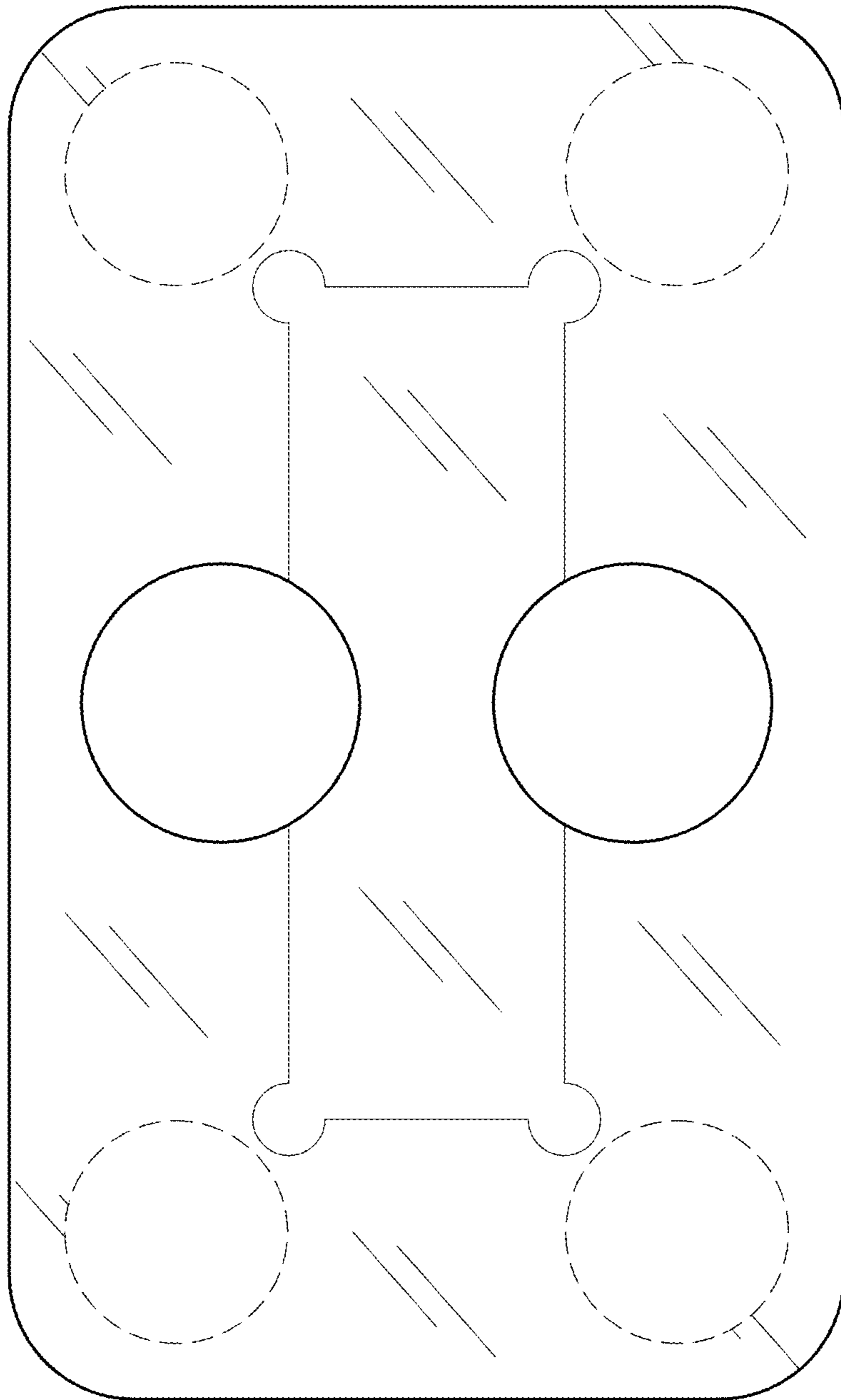


FIG. 4

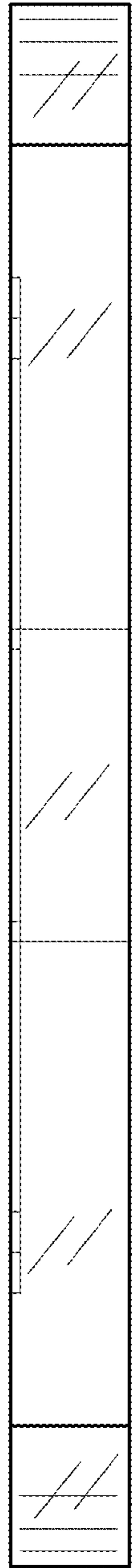


FIG. 5

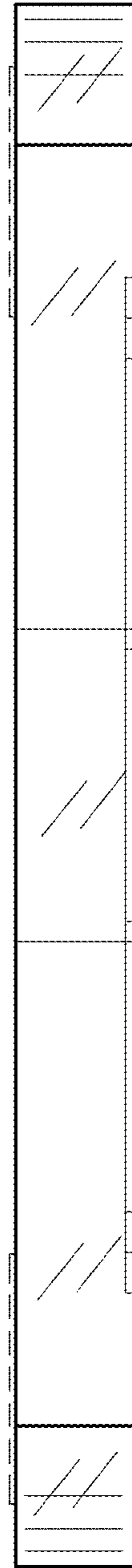


FIG. 6



FIG. 7



FIG. 8

