



US00D903899S

(12) **United States Design Patent**
Self et al.

(10) **Patent No.:** **US D903,899 S**

(45) **Date of Patent:** **** Dec. 1, 2020**

(54) **PROCESS PLATE**

(71) Applicant: **Becton, Dickinson and Company,**
Franklin Lakes, NJ (US)

(72) Inventors: **Brian A. Self,** Monkton, MD (US);
Dwight Livingston, Fallston, MD (US)

(73) Assignee: **Becton, Dickinson and Company,**
Franklin Lakes, NJ (US)

(**) Term: **15 Years**

(21) Appl. No.: **29/664,909**

(22) Filed: **Sep. 28, 2018**

(51) **LOC (12) Cl.** **24-02**

(52) **U.S. Cl.**
USPC **D24/224; D24/229**

(58) **Field of Classification Search**
USPC D24/107, 121-123, 216-217, 219,
D24/223-226, 227, 229-231, 232;
D6/406.1-406.3, 406.6; D3/203.1, 304;
D19/37
CPC B01L 3/50853; B01L 9/065; B01L 9/543
See application file for complete search history.

(56) **References Cited**

U.S. PATENT DOCUMENTS

D337,165 S	7/1993	Malinoff	
D420,743 S	2/2000	Monks	
6,558,631 B1 *	5/2003	Day	B01L 3/5085 206/538
6,601,725 B2	8/2003	Lafond et al.	
D574,506 S	8/2008	Monks	
D598,566 S *	8/2009	Allaer	D24/230
D608,013 S	1/2010	Coulling et al.	
D618,820 S	6/2010	Wilson et al.	
D624,194 S	9/2010	Pack et al.	
D673,294 S	12/2012	Motadel	
D677,400 S	3/2013	Blaettler et al.	
D690,027 S	9/2013	Motadel	
D697,227 S	1/2014	Motadel	

D699,371 S	2/2014	Williams et al.
D699,859 S	2/2014	Motadel
D702,854 S	4/2014	Nakahana et al.
D703,345 S	4/2014	Tajima et al.
8,728,415 B2	5/2014	Seippel

(Continued)

FOREIGN PATENT DOCUMENTS

AU 201614442 C1 11/2016

OTHER PUBLICATIONS

US D878,623 S, 03/2020, Self et al. (withdrawn)
(Continued)

Primary Examiner — Janice Hallmark

Assistant Examiner — Omeed Agilee

(74) *Attorney, Agent, or Firm* — Lerner, David,
Littenberg, Krumholz & Mentlik, LLP

(57) **CLAIM**

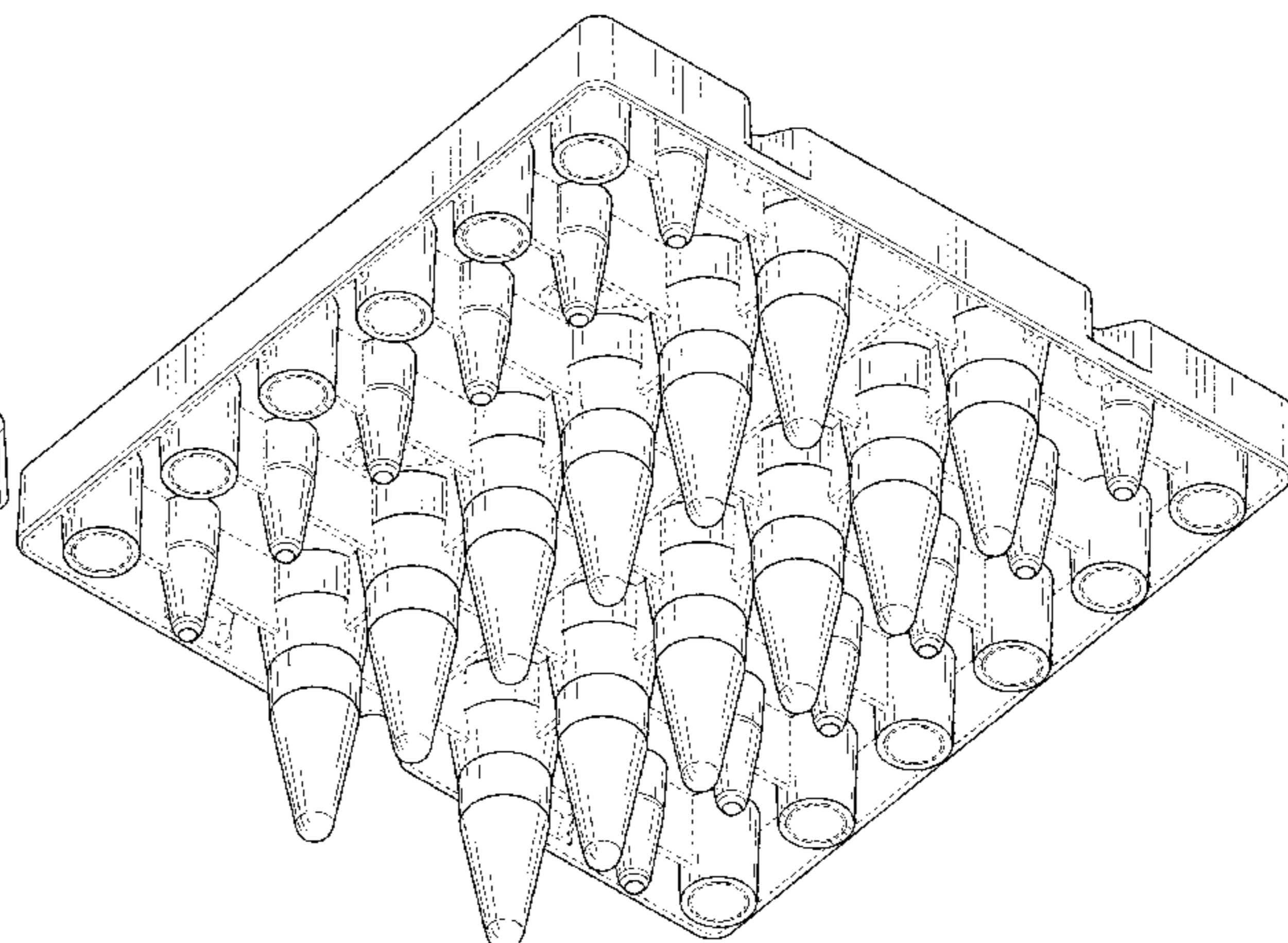
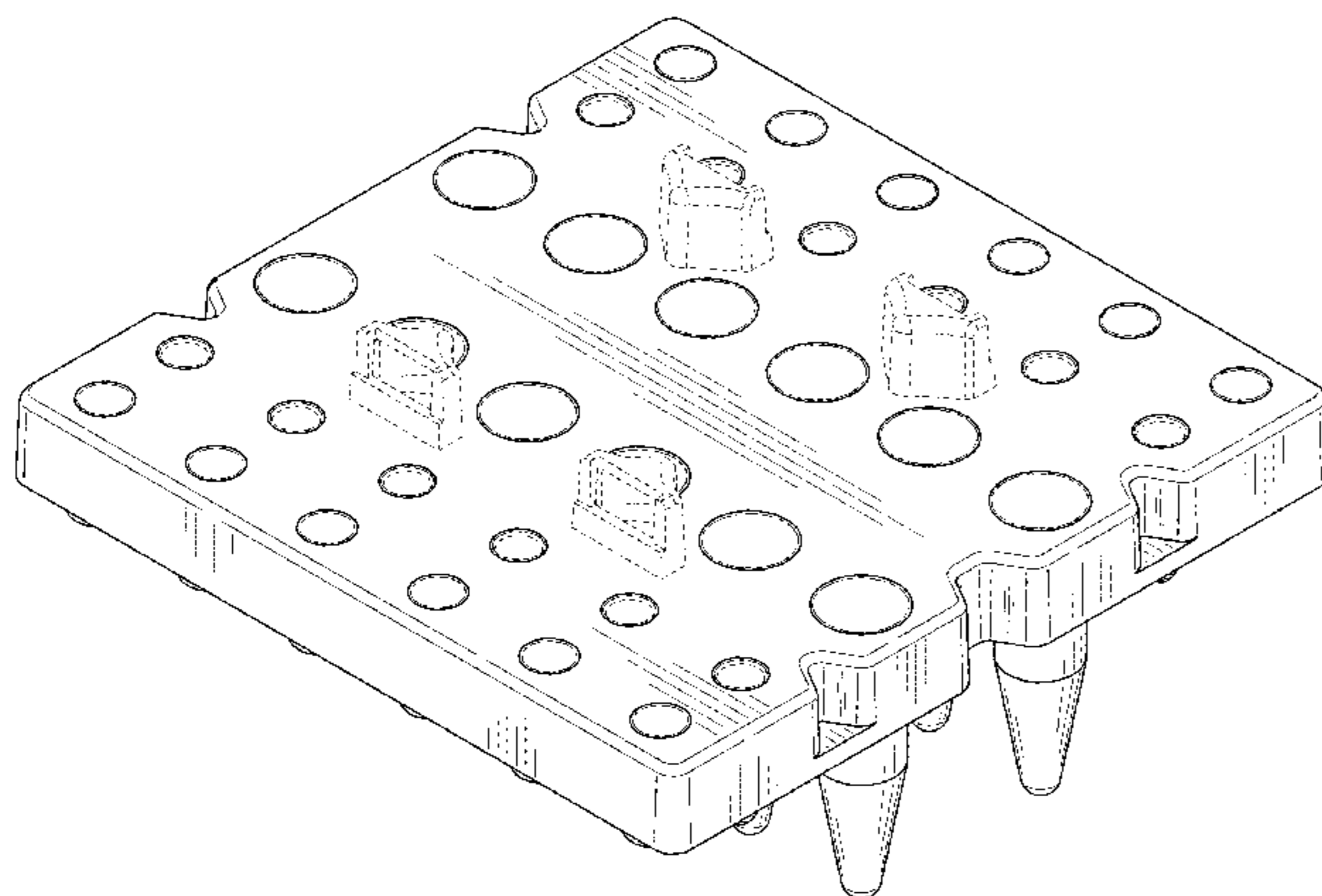
The ornamental design for a process plate, as shown and described.

DESCRIPTION

FIG. 1 is a front perspective view of a process plate according to our design;
FIG. 2 is a front elevation view thereof;
FIG. 3 is a rear elevation view thereof;
FIG. 4 is a right side elevation view thereof;
FIG. 5 is a left side elevation view thereof;
FIG. 6 is a top plan view thereof;
FIG. 7 is a bottom plan view thereof; and,
FIG. 8 is a rear bottom perspective view thereof.

The broken lines of even length shown in the drawings depict portions of the process plate that form no part of the claimed design. The broken lines of uneven length shown in the drawings depict boundary lines that form no part of the claimed design.

1 Claim, 6 Drawing Sheets



(56)

References Cited

U.S. PATENT DOCUMENTS

D710,024 S 7/2014 Guo
 D718,465 S 11/2014 Tajima et al.
 D729,942 S 5/2015 Keizer et al.
 9,180,456 B2 11/2015 Malinoski et al.
 D778,459 S 2/2017 Tajima
 D792,981 S 7/2017 Tajima
 D793,573 S 8/2017 Karmeniemi
 9,802,196 B2* 10/2017 Taunk B01L 3/50825
 D815,753 S* 4/2018 Curry D24/227
 D825,774 S 8/2018 Becton
 D826,425 S* 8/2018 Muller D24/230
 D827,149 S 8/2018 Becton
 D844,806 S* 4/2019 Johns D24/227
 D848,638 S 5/2019 Sims et al.
 D849,961 S* 5/2019 Muller D24/224
 D854,707 S* 7/2019 Jakobsen D24/230
 D862,724 S* 10/2019 Sims D24/224
 D868,289 S* 11/2019 Muller D24/230
 D868,996 S* 12/2019 Muller D24/230
 2005/0136546 A1 6/2005 Berndt et al.
 2006/0257292 A1 11/2006 Motadel
 2008/0284602 A1 11/2008 Morris et al.

2010/0080734 A1 4/2010 Brophy et al.
 2010/0119418 A1 5/2010 Clements et al.
 2010/0314051 A1 12/2010 Barger et al.
 2012/0257953 A1* 10/2012 Williams B01L 9/543
 414/802
 2013/0161225 A1 6/2013 Lepot
 2014/0205518 A1 7/2014 Malinoski et al.
 2014/0234182 A1* 8/2014 Motadel B01L 9/543
 422/526
 2016/0319329 A1 11/2016 Natale et al.

OTHER PUBLICATIONS

Design U.S. Appl. No. 29/657,941, filed Jul. 26, 2018, entitled "Process Plate".
 Design U.S. Appl. No. 29/658,064, filed Jul. 27, 2018, entitled "Process Plate".
 Design U.S. Appl. No. 29/732,678, filed Apr. 27, 2020 entitled "Process Plate."
<https://www.google.com/search?q=process+plate&source=lnms&tbm=isch&sa=X&ved=> Aug. 12, 2019.
 Canadian Examination Report for Application No. 195890 dated Sep. 3, 2020, 4 pages.

* cited by examiner

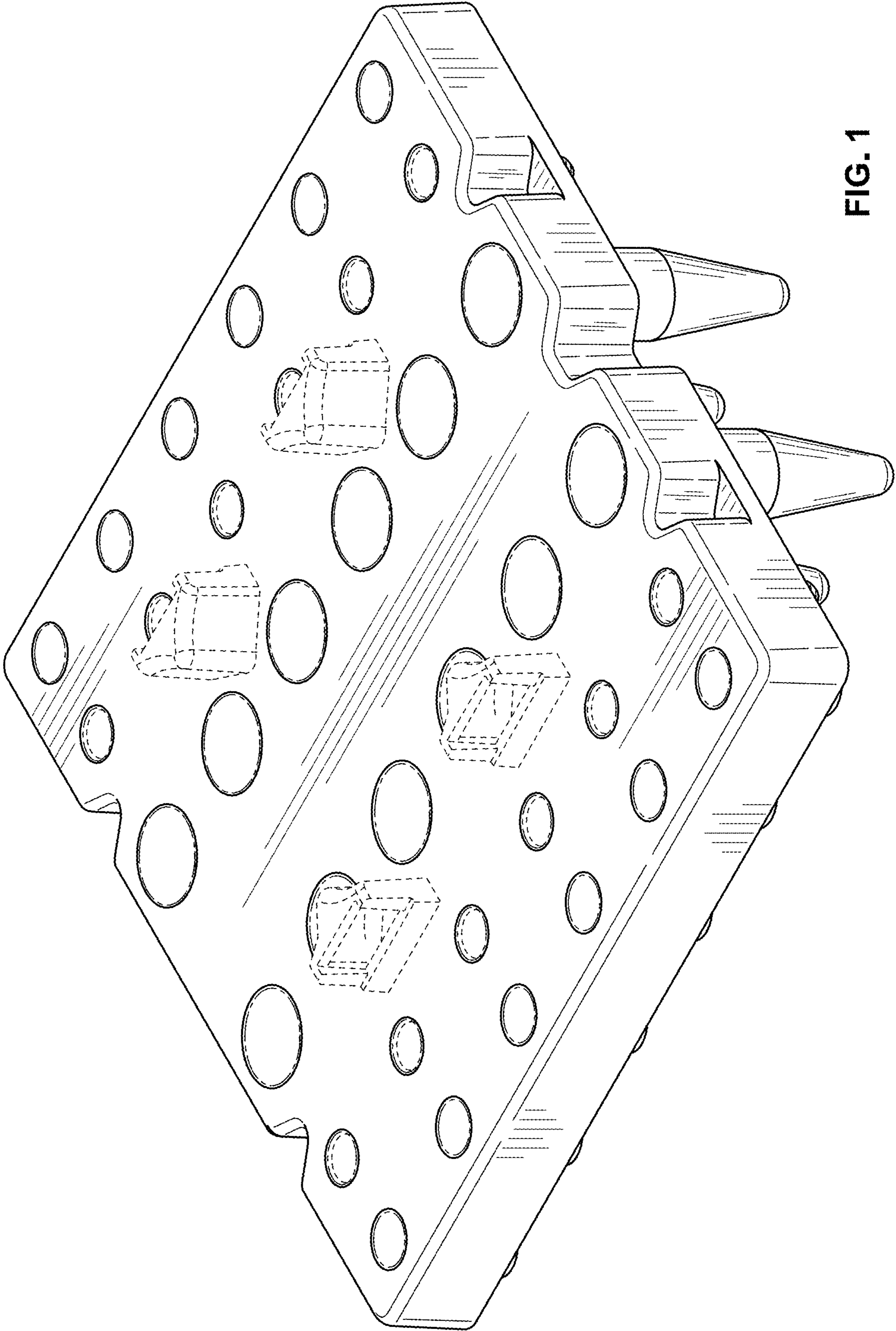


FIG. 1

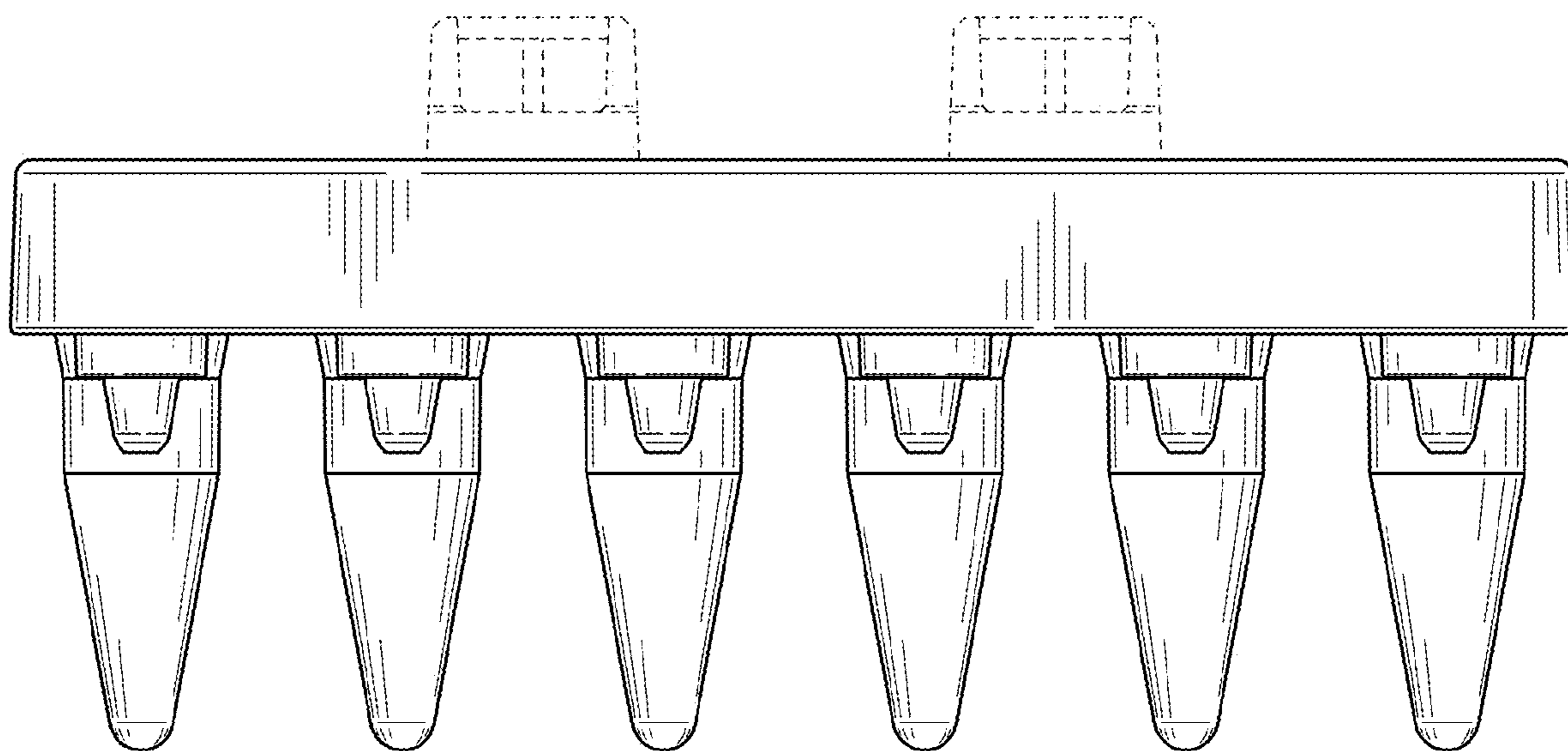


FIG. 2

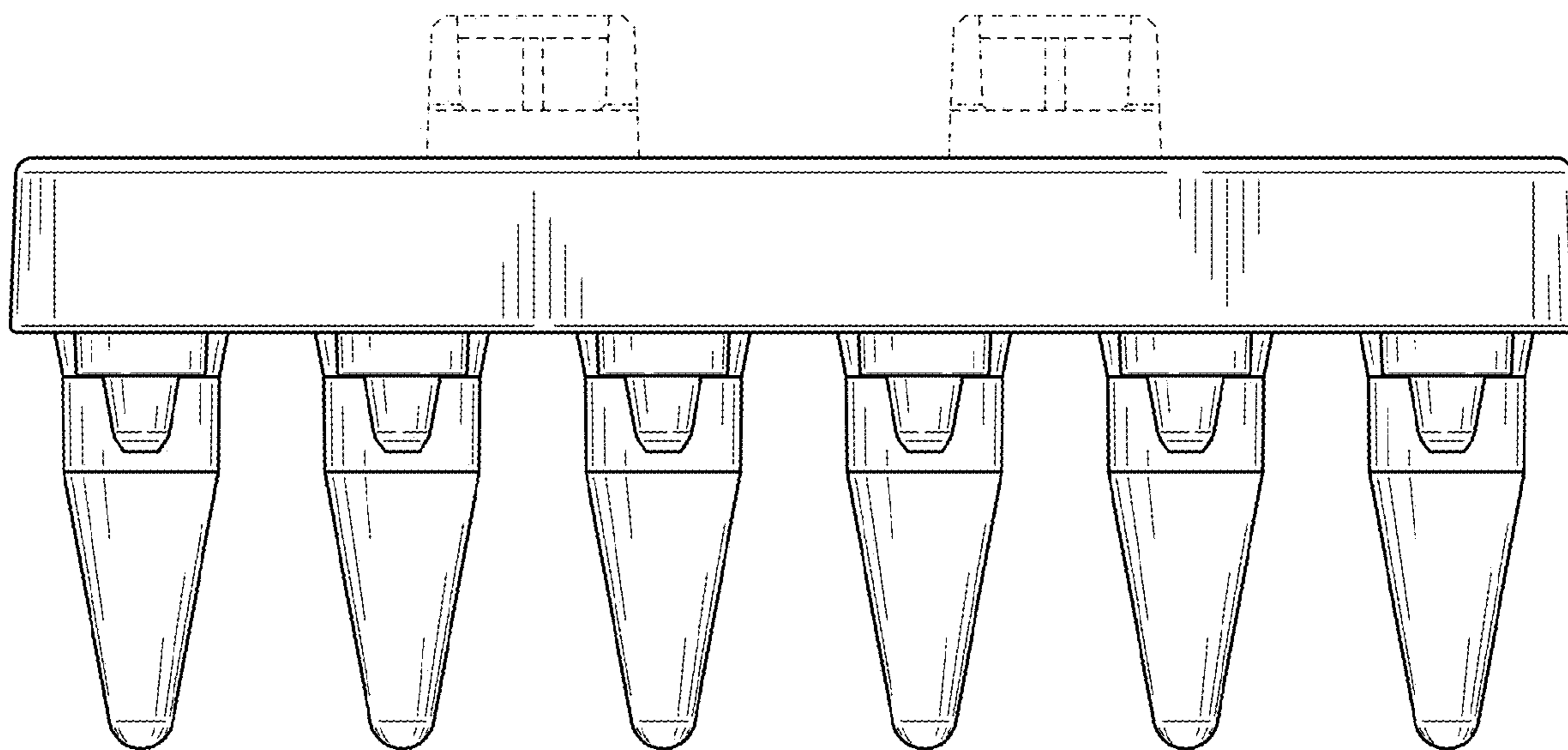


FIG. 3

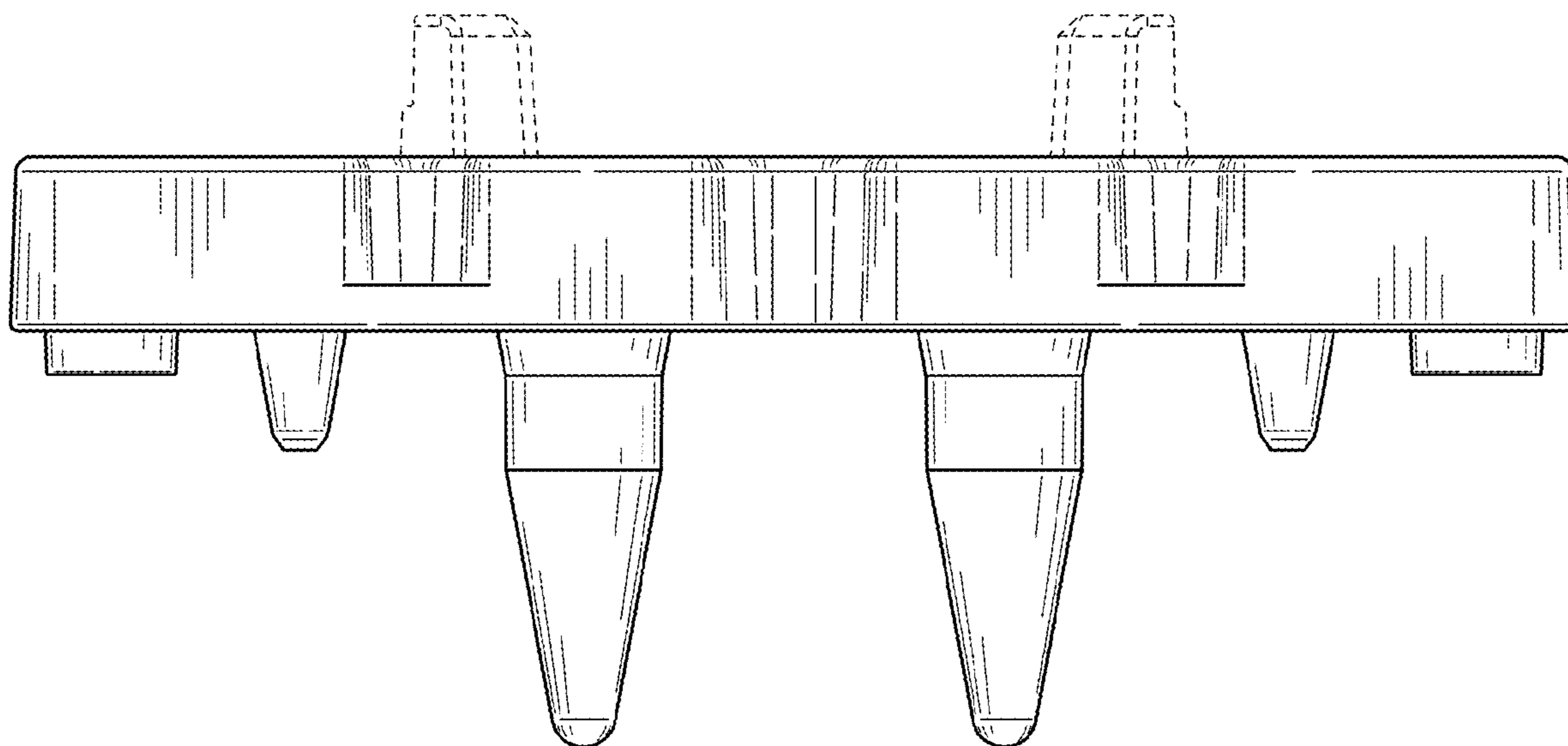


FIG. 4

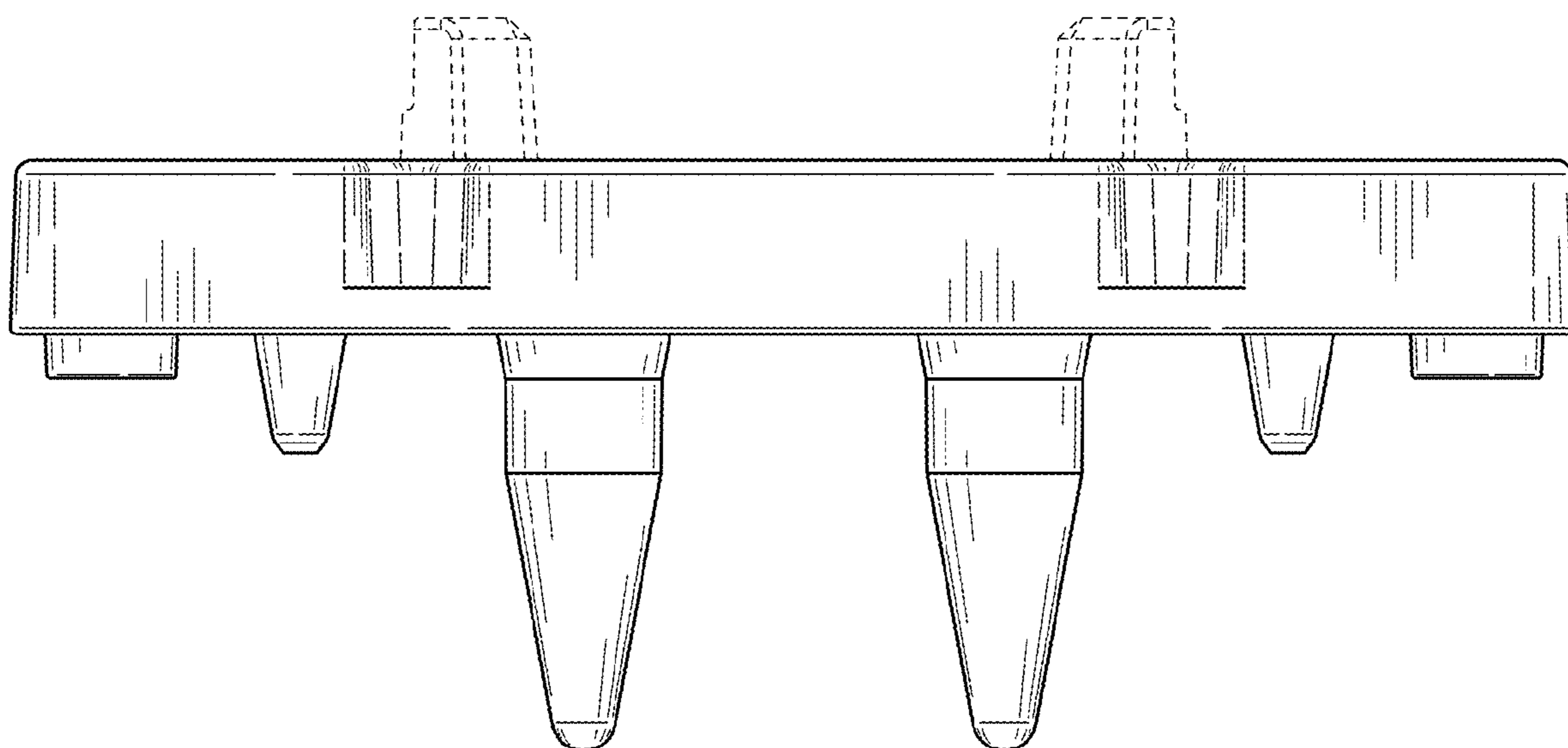


FIG. 5

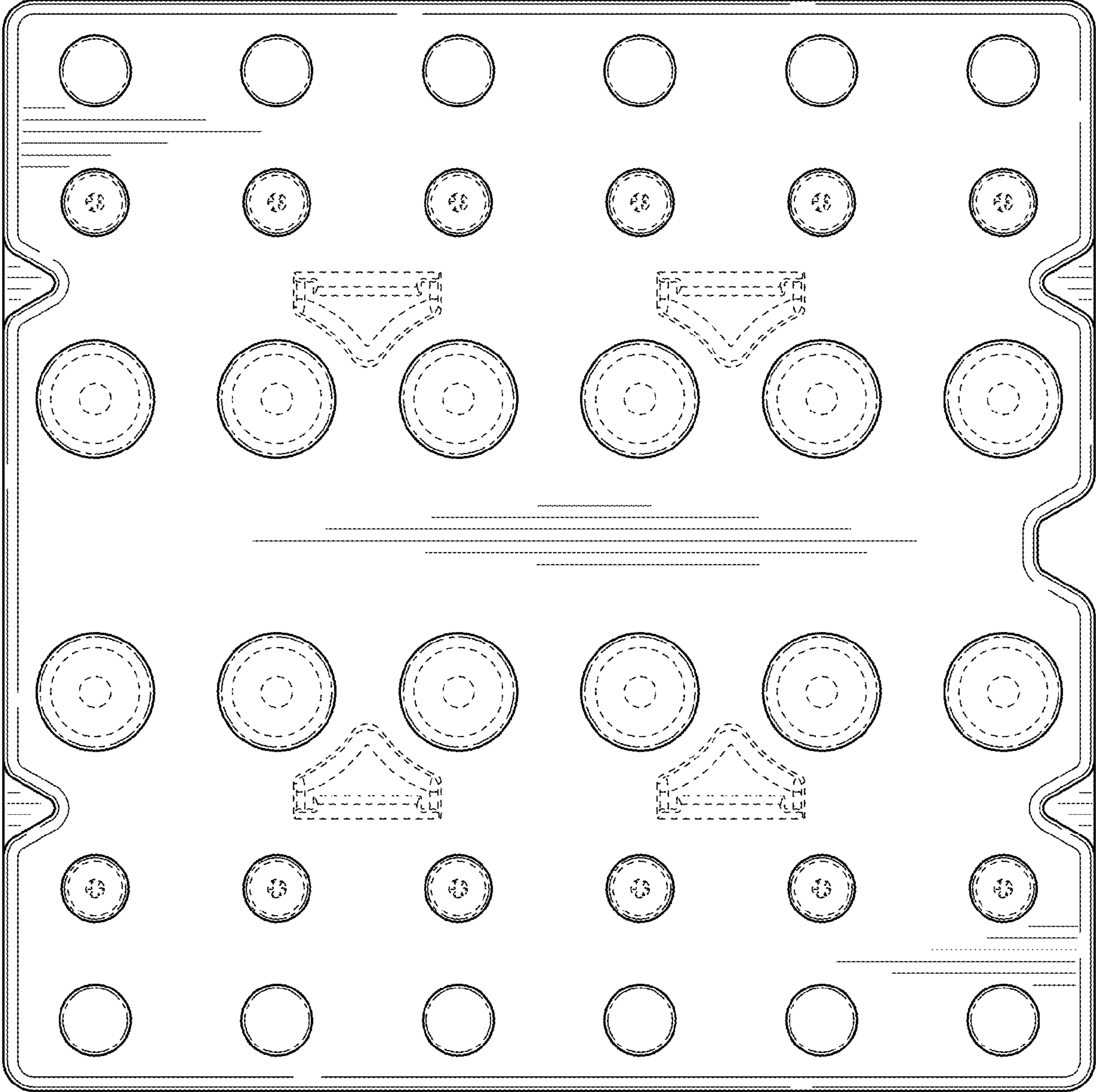


FIG. 6

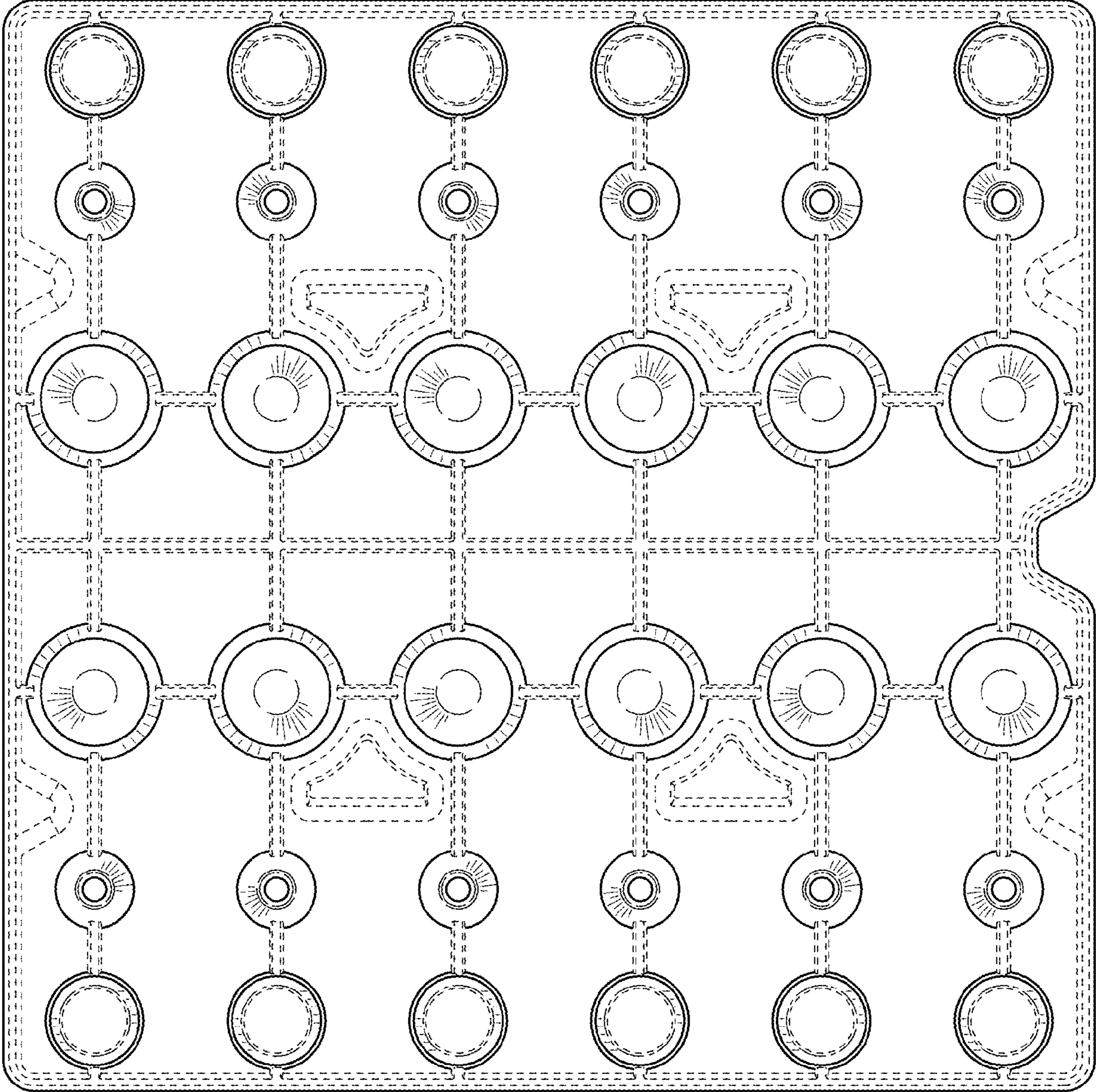


FIG. 7

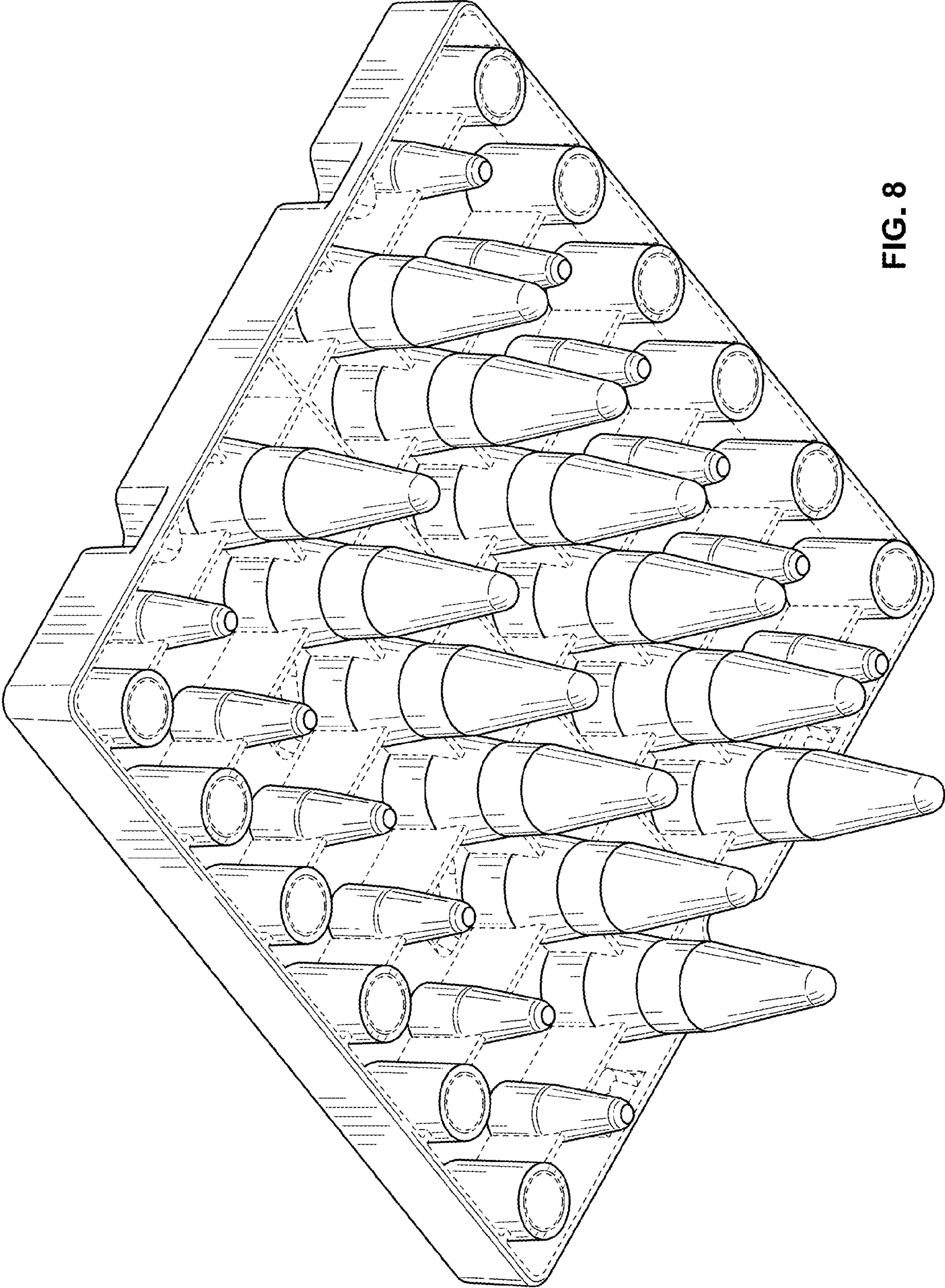


FIG. 8