



US00D903898S

(12) **United States Design Patent** (10) **Patent No.:** **US D903,898 S**  
**Nagy et al.** (45) **Date of Patent:** **\*\* Dec. 1, 2020**

(54) **SAMPLING ASSEMBLY**  
(71) Applicant: **Gentueri Inc.**, Madison, WI (US)  
(72) Inventors: **Randolph James Nagy**, Madison, WI (US); **Todd Bakken**, Madison, WI (US)  
(73) Assignee: **Gentueri Inc.**, Madison, WI (US)  
(\*\*) Term: **15 Years**  
(21) Appl. No.: **29/664,304**  
(22) Filed: **Sep. 24, 2018**  
(51) **LOC (12) Cl.** ..... **24-02**  
(52) **U.S. Cl.**  
USPC ..... **D24/224**  
(58) **Field of Classification Search**  
USPC ..... D24/107, 121-123, 216-217, 219, D24/223-227, 229-231, 232; D9/504, D9/516, 519, 529, 549, 574, 715, 719; D3/201, 203.1, 203.2  
CPC ..... B29C 65/665; A61B 10/0045  
See application file for complete search history.

D676,572 S \* 2/2013 Tarriff ..... D24/224  
8,685,346 B2 4/2014 Logel et al.  
8,932,542 B2 1/2015 Schaefer et al.  
(Continued)

**FOREIGN PATENT DOCUMENTS**

CN 201530203369 \* 6/2015

**OTHER PUBLICATIONS**

SwabSaver. Online, published date unknown. Retrieved on Feb. 23, 2020 from URL: <http://www.gentueri.com/swabsaver>.\*

(Continued)

*Primary Examiner* — Susan Bennett Hattan  
*Assistant Examiner* — Omeed Agilee  
(74) *Attorney, Agent, or Firm* — Michael Best & Friedrich LLP

(57) **CLAIM**

The ornamental design for a sampling assembly, as shown and described.

(56) **References Cited**

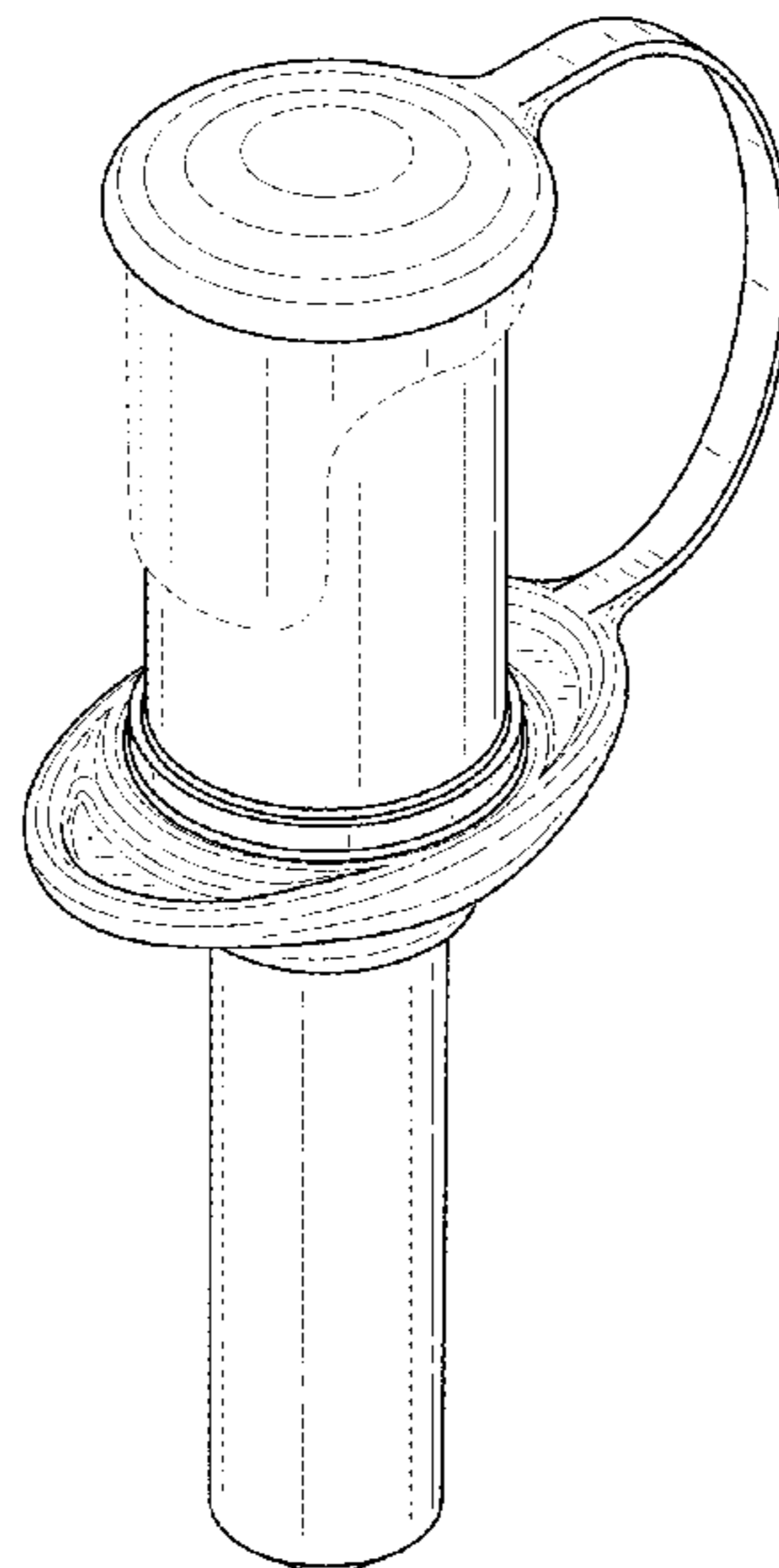
**U.S. PATENT DOCUMENTS**

D296,241 S \* 6/1988 Miskinis ..... D23/262  
5,012,941 A \* 5/1991 Abrams ..... B29C 65/665  
215/250  
5,114,003 A 5/1992 Jackisch et al.  
D335,924 S \* 5/1993 Nilsson ..... D24/115  
5,859,374 A 1/1999 Mink et al.  
6,299,842 B1 10/2001 Kozak et al.  
D591,507 S \* 5/2009 Mowe ..... D3/269  
D621,951 S \* 8/2010 Bucholtz ..... D24/224  
7,794,656 B2 9/2010 Liang et al.  
7,854,895 B2 \* 12/2010 Gallagher ..... A61B 10/0045  
422/423  
D644,337 S \* 8/2011 Belfance ..... D24/224  
D650,629 S \* 12/2011 Gilbert ..... D7/392.1  
D659,848 S \* 5/2012 TerMaat ..... D24/224

**DESCRIPTION**

FIG. 1 is a front perspective view of a sampling assembly. FIG. 2 is a front view of the sampling assembly in FIG. 1. FIG. 3 is a rear view of the sampling assembly in FIG. 1. FIG. 4 is a right side view of the sampling assembly in FIG. 1. FIG. 5 is a left side view of the sampling assembly in FIG. 1. FIG. 6 is a top view of the sampling assembly in FIG. 1; and, FIG. 7 is a bottom view of the sampling assembly in FIG. 1. The broken lines in the drawings depict portions of the sampling assembly that form no part of the claimed design.

**1 Claim, 7 Drawing Sheets**



(56)

**References Cited**

## U.S. PATENT DOCUMENTS

D724,236 S \* 3/2015 Motadel ..... D24/227  
9,044,007 B2 6/2015 Sadler  
9,052,254 B2 6/2015 Sangha  
9,103,749 B2 8/2015 Nagy  
9,217,697 B2 12/2015 U'Ren et al.  
D749,420 S \* 2/2016 Kahlau ..... D9/420  
9,248,449 B2 2/2016 Knight  
D760,489 S \* 7/2016 De La Torre ..... D3/203.1  
D795,448 S \* 8/2017 Zhou ..... D24/222  
D856,148 S \* 8/2019 Lucas, Jr. .... D9/523  
2003/0129738 A1 7/2003 Sorenson et al.  
2009/0095699 A1 \* 4/2009 Milante ..... A61J 1/03  
215/217  
2009/0155838 A1 6/2009 Hale  
2012/0045826 A1 2/2012 Yantz et al.  
2013/0196841 A1 8/2013 Dobrowolski  
2013/0213828 A1 8/2013 Chatterjee et al.  
2013/0266492 A1 10/2013 Daub et al.  
2015/0289856 A1 10/2015 Saqi et al.  
2015/0291338 A1 10/2015 Chen  
2017/0248498 A1 8/2017 Kendall et al.

## OTHER PUBLICATIONS

Garvin et al., "The forensiX Evidence Collection Tube and Its Impact on DNA Preservation and Recovery", BioMed Research International, Sep. 19, 2013 vol. 2013 Article ID 105797 ( 7 Pages).  
Bhambhani et al., "Selection of Containers/Closures for Use in Lyophilization Application: Possibilities and Limitations", American Pharmaceutical Review, May 1, 2010 (8 Pages).

\* cited by examiner

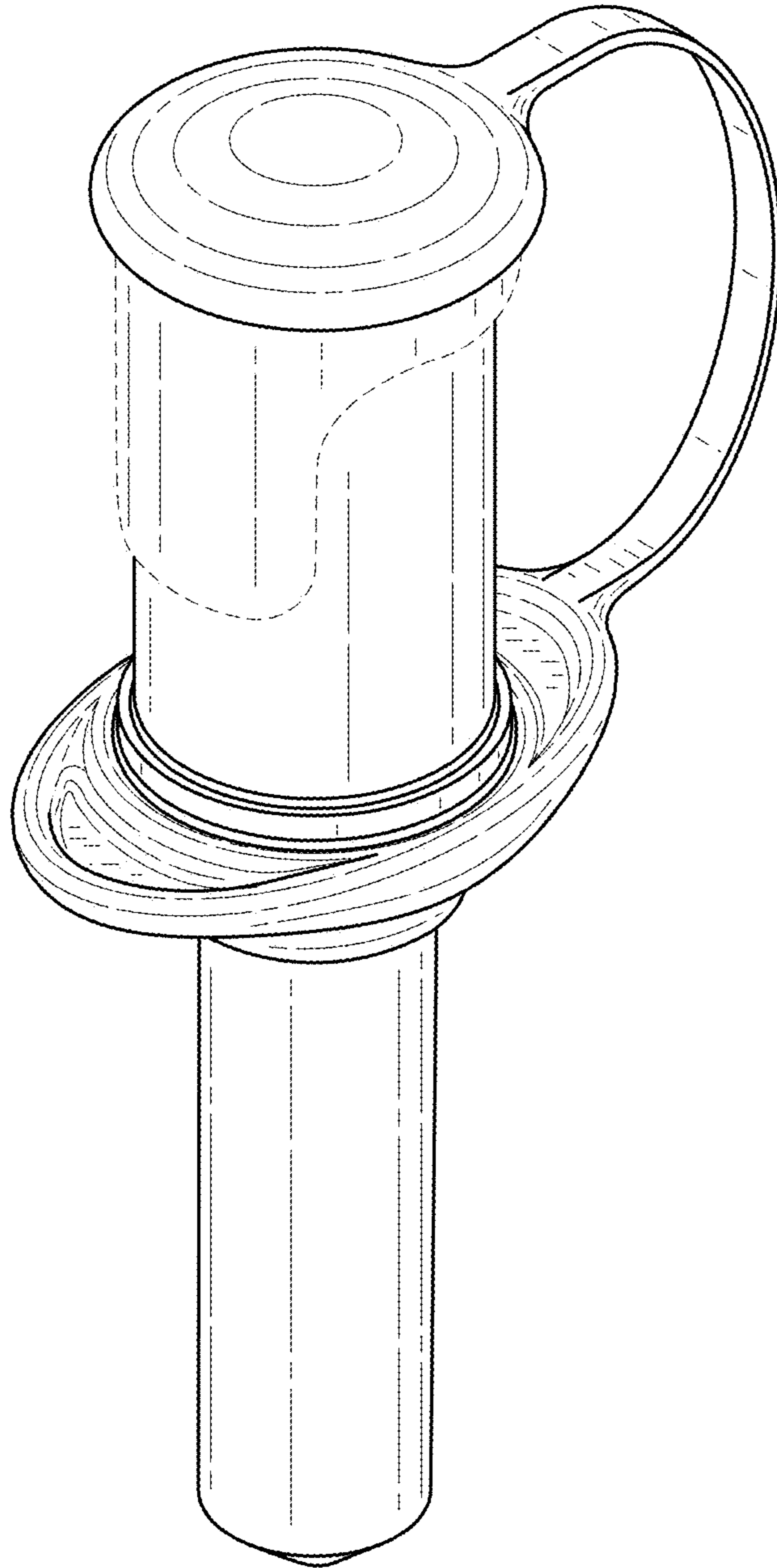


FIG. 1

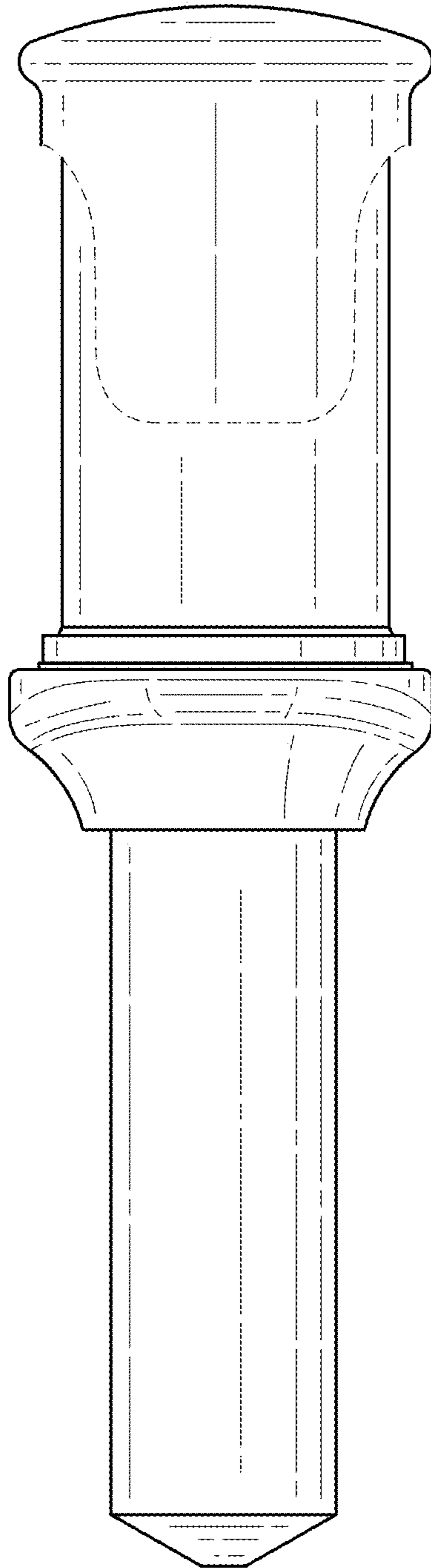


FIG.2

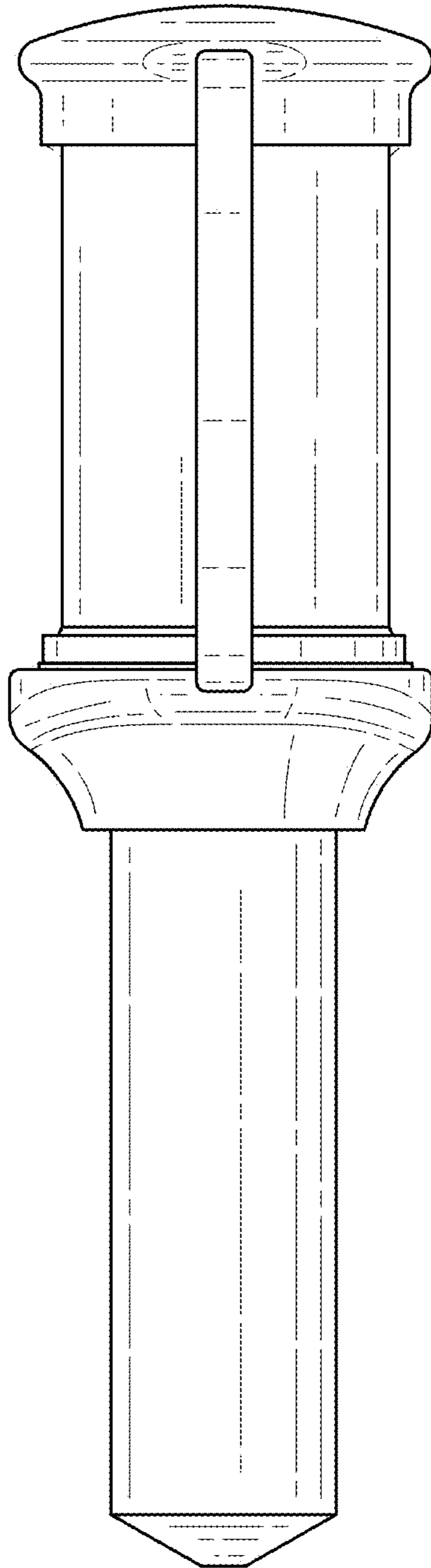


FIG.3

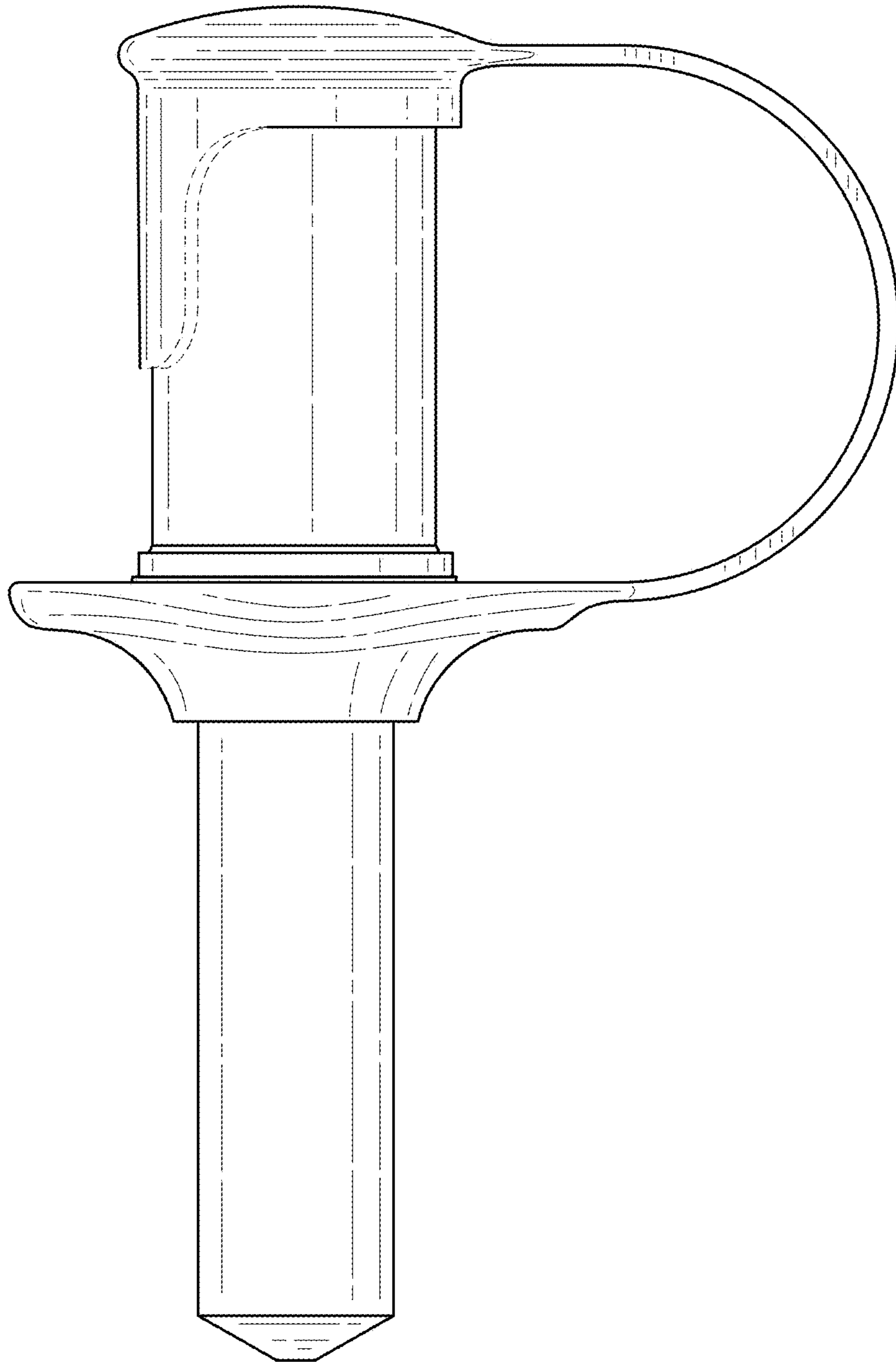


FIG.4

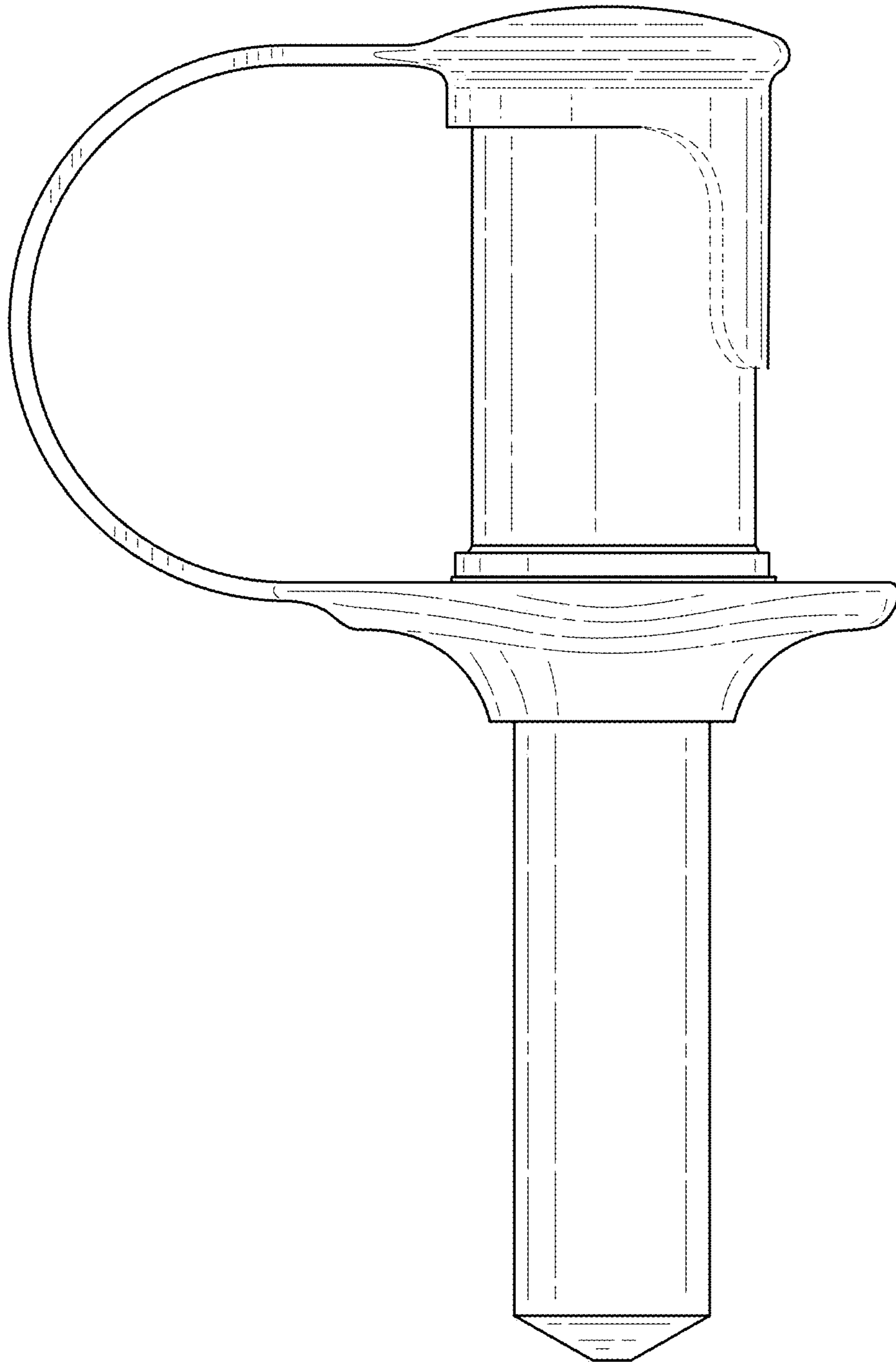


FIG.5

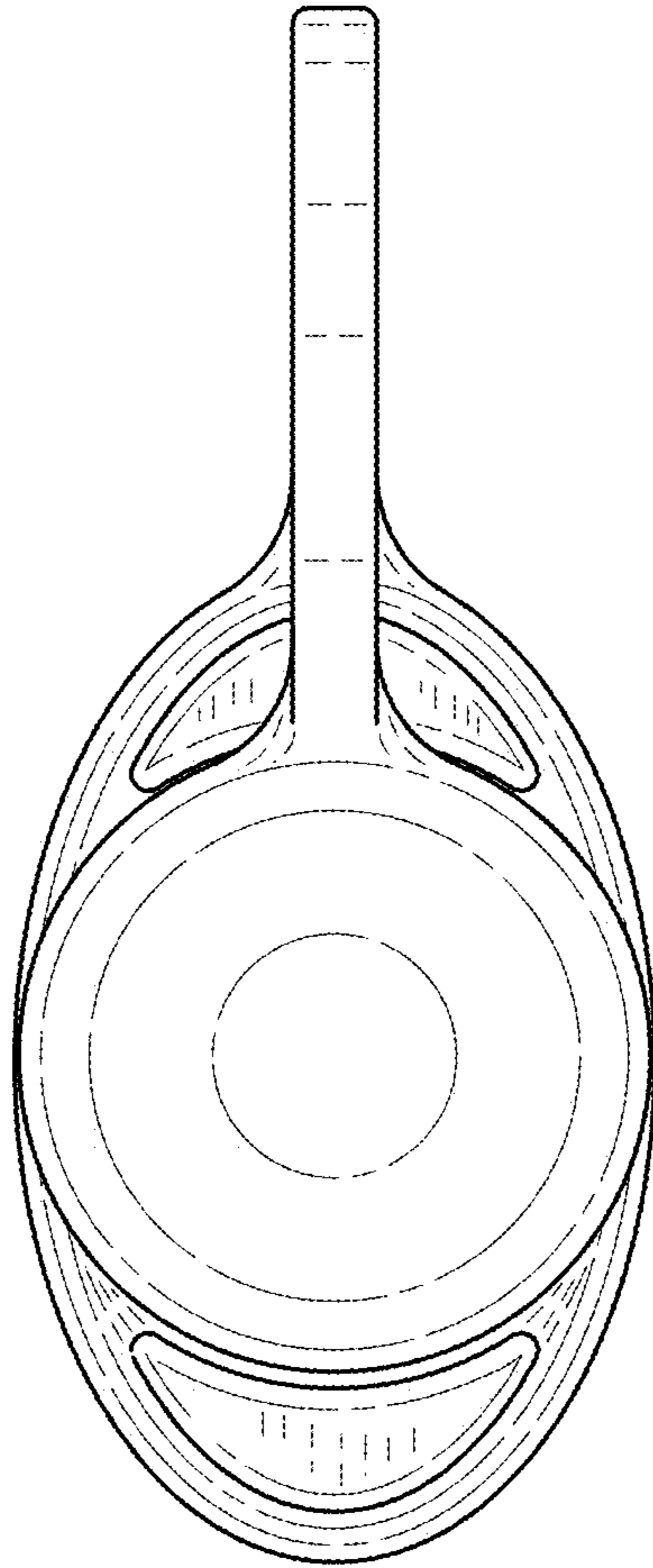


FIG.6



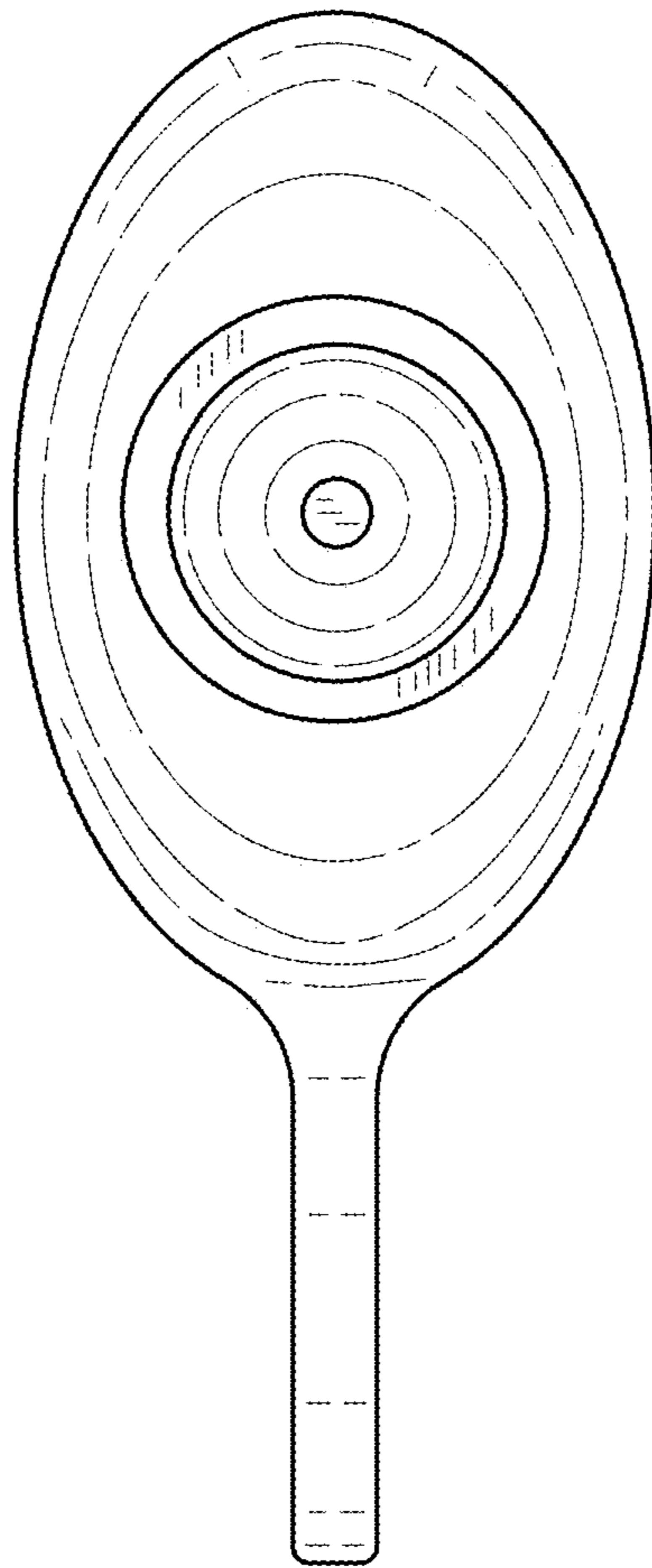


FIG.7