



US00D903896S

(12) **United States Design Patent**
Tianhao et al.

(10) **Patent No.:** **US D903,896 S**
(45) **Date of Patent:** **** Dec. 1, 2020**

(54) **DIAGNOSTIC TESTING DEVICE**

(71) Applicant: **LEADWAY (HK) LIMITED**, Hong Kong (CN)

(72) Inventors: **Li Tianhao**, Hangzhou (CN); **Tao Liping**, Hangzhou (CN)

(73) Assignee: **LEADWAY (HK) LIMITED**, Hong Kong (CN)

(**) Term: **15 Years**

(21) Appl. No.: **29/643,124**

(22) Filed: **Apr. 4, 2018**

(30) **Foreign Application Priority Data**

Dec. 4, 2017 (CN) 2017 3 0609842

(51) **LOC (12) Cl.** **24-02**

(52) **U.S. Cl.**
USPC **D24/223**

(58) **Field of Classification Search**
USPC D24/107, 108, 112–114, 127, 130, 133,
D24/169, 186, 216–217, 219, 222–226,
D24/227, 231, 232; D10/81

(Continued)

(56) **References Cited**

U.S. PATENT DOCUMENTS

D383,549 S * 9/1997 Arnett D10/81
6,372,516 B1 * 4/2002 Sun B01L 3/5023
422/408

(Continued)

FOREIGN PATENT DOCUMENTS

EM 005797537-0002 * 10/2018

OTHER PUBLICATIONS

False positive. Online, published date Feb. 28, 2017. Retrieved on Jul. 11, 2019 from URL: https://glowing.com/community/topic/72057594040002688/false-positive.*

Primary Examiner — Janice Hallmark
Assistant Examiner — Omeed Agilee
(74) *Attorney, Agent, or Firm* — Acuity Law Group, PC;
Michael A. Whittaker

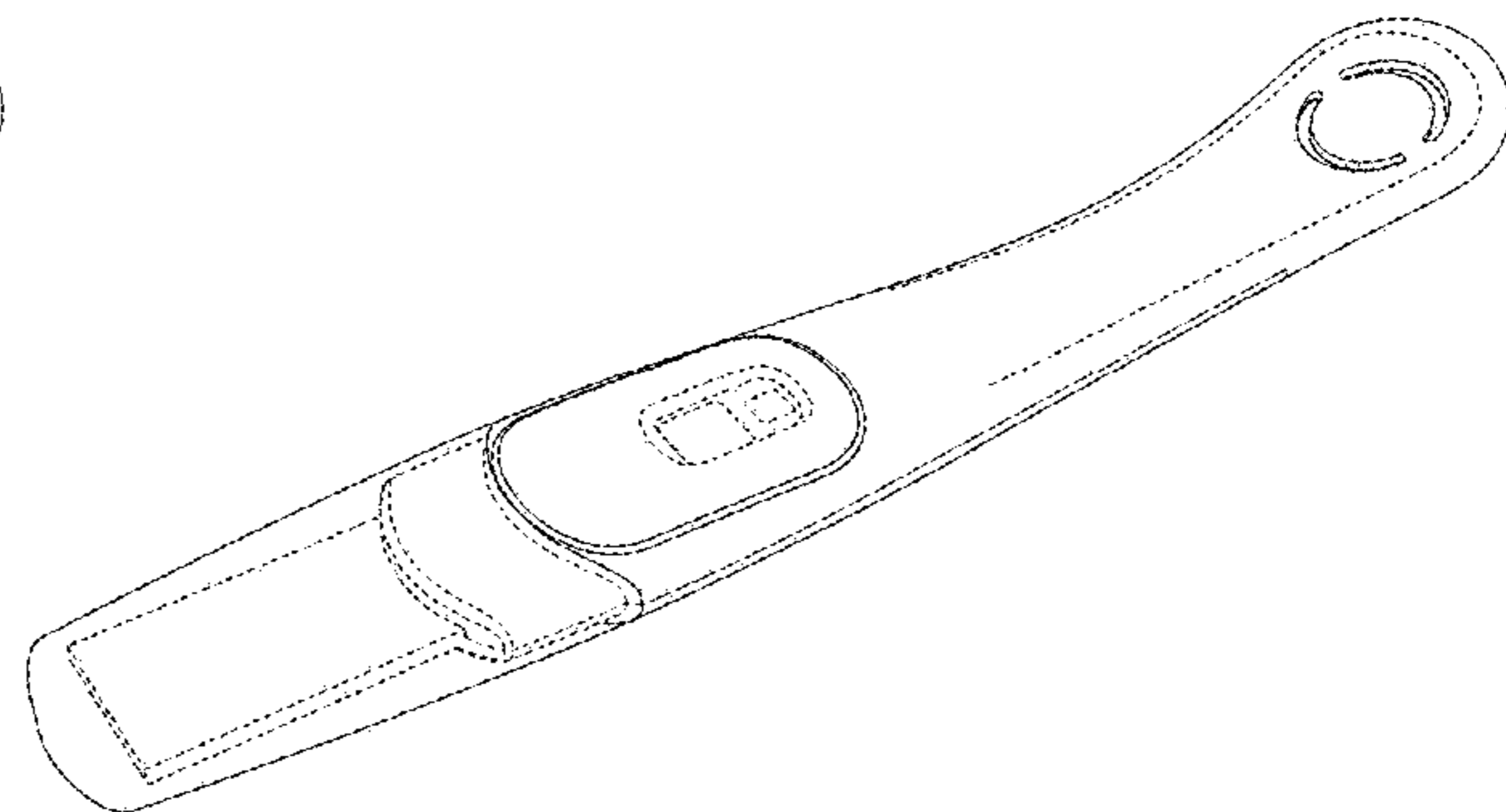
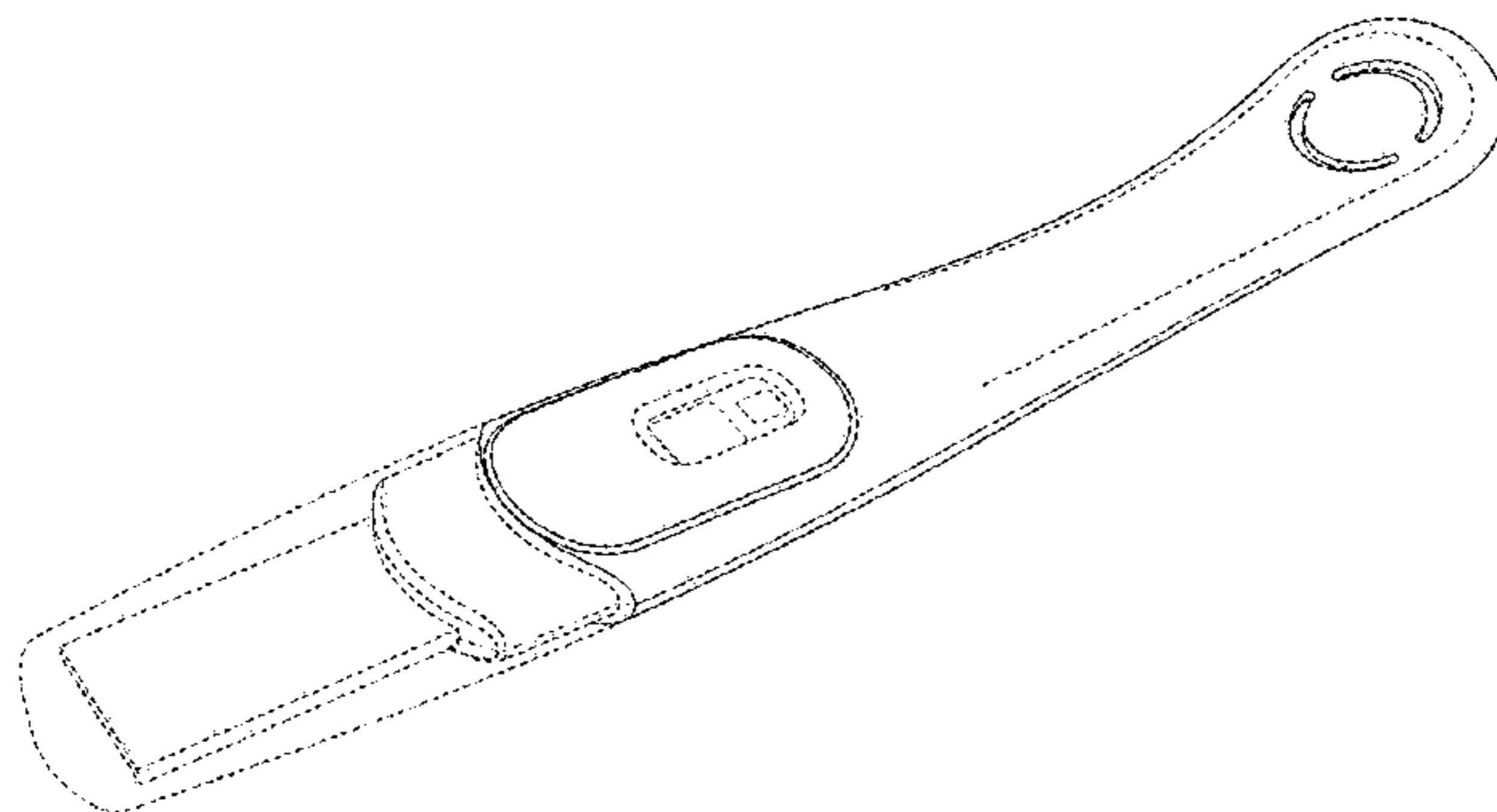
(57) **CLAIM**

The ornamental design for a diagnostic testing device, as shown and described.

DESCRIPTION

FIG. 1 is a top plan view of a first embodiment of a diagnostic testing device;
FIG. 2 is a first side elevation view of the first embodiment;
FIG. 3 is a second side elevation of the first embodiment;
FIG. 4 is a bottom plan view of the first embodiment;
FIG. 5 is an enlarged rear elevation view of the first embodiment;
FIG. 6 is an enlarged front elevation view of the first embodiment;
FIG. 7 is a perspective view of the top and first side of the first embodiment.
FIG. 8 is a top plan view of a second embodiment of a diagnostic testing device;
FIG. 9 is a first side elevation view of the second embodiment;
FIG. 10 is a second side elevation of the second embodiment;
FIG. 11 is a bottom plan view of the second embodiment;
FIG. 12 is an enlarged rear elevation view of the second embodiment;
FIG. 13 is an enlarged front elevation view of the second embodiment; and,
FIG. 14 is a perspective view of the top and first side of the second embodiment.
The broken lines in the drawings depict portions of the diagnostic testing device that form no part of the claimed design.

1 Claim, 14 Drawing Sheets



(58) **Field of Classification Search**

CPC G01N 33/76; G01N 33/558; G01N
33/54386; G01N 21/8483

See application file for complete search history.

(56) **References Cited**

U.S. PATENT DOCUMENTS

D491,274 S	6/2004	Dubniczki et al.	
D499,812 S	12/2004	Wu	
D509,901 S	9/2005	Phelan et al.	
D523,964 S	6/2006	Phelan et al.	
D530,825 S	10/2006	Lee et al.	
D537,167 S	2/2007	Sigel et al.	
D537,531 S *	2/2007	Sigel	D24/223
D548,359 S	8/2007	Illein et al.	
D554,765 S	11/2007	Wendling	
D557,815 S	12/2007	Lee et al.	
D570,490 S	6/2008	Laverack	
D575,876 S	8/2008	Laverack	
D576,737 S *	9/2008	Lee	D24/216
D672,880 S	12/2012	Laverack et al.	
D676,144 S	2/2013	Laverack et al.	
D676,569 S	2/2013	Laverack et al.	
D694,903 S	12/2013	Laverack et al.	
D698,457 S *	1/2014	Canova	D24/223
8,828,329 B2 *	9/2014	Sturman	G01N 21/8483 422/402
D735,351 S *	7/2015	Laverack	D24/223
9,151,754 B2	10/2015	Snowden et al.	
D789,519 S *	6/2017	Ratjen	D24/112
D837,975 S *	1/2019	Protasiewicz	D24/113
2008/0124244 A1	5/2008	Sigel et al.	
2010/0240149 A1	9/2010	Nazareth et al.	
2013/0157379 A1 *	6/2013	Nazareth	G01N 33/76 436/501

* cited by examiner

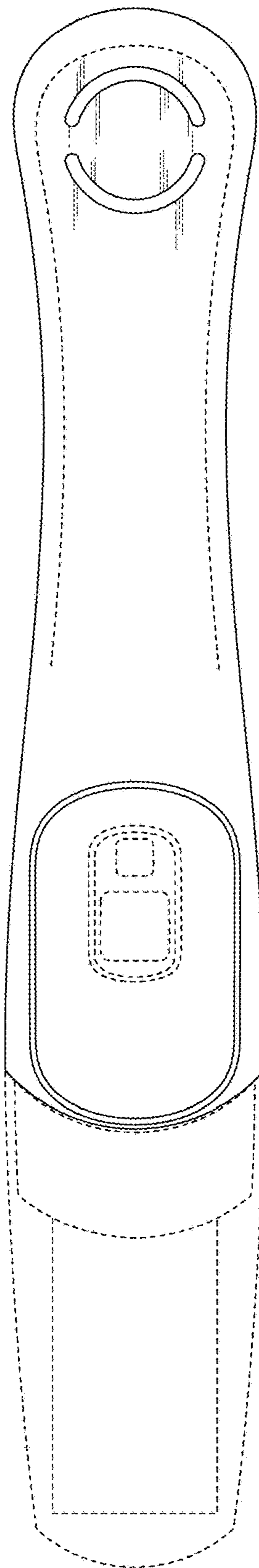


FIG. 1

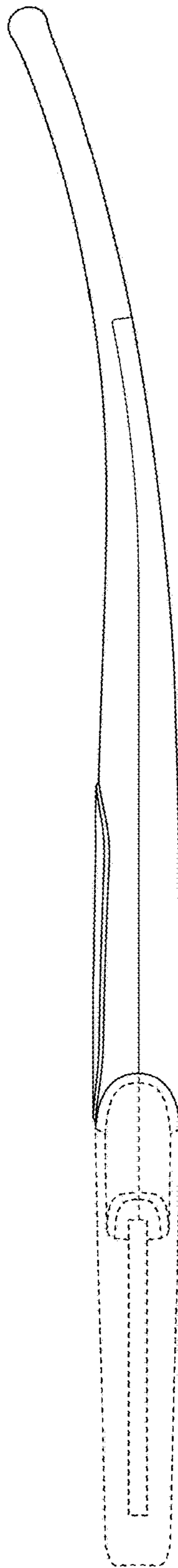


FIG. 2

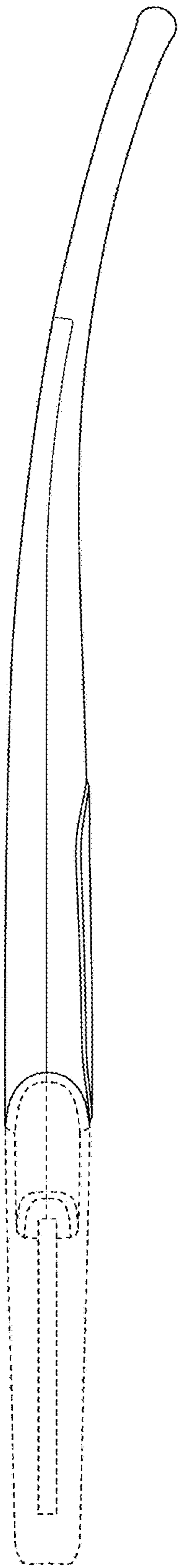


FIG. 3

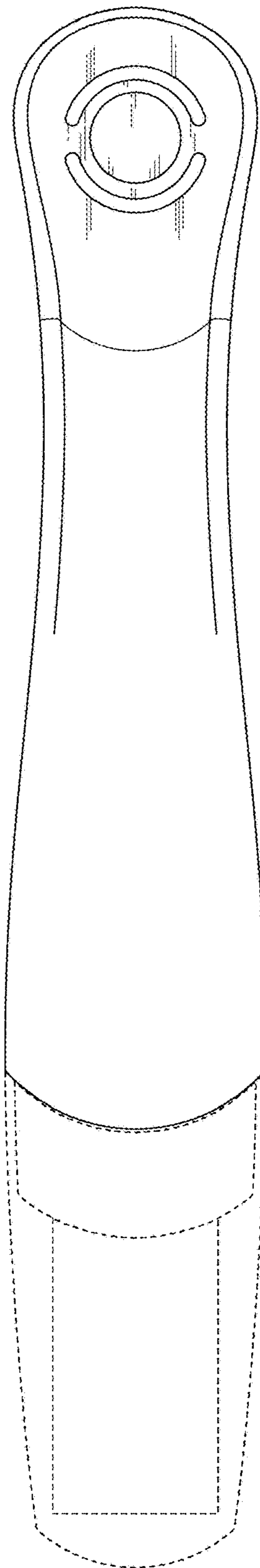


FIG. 4

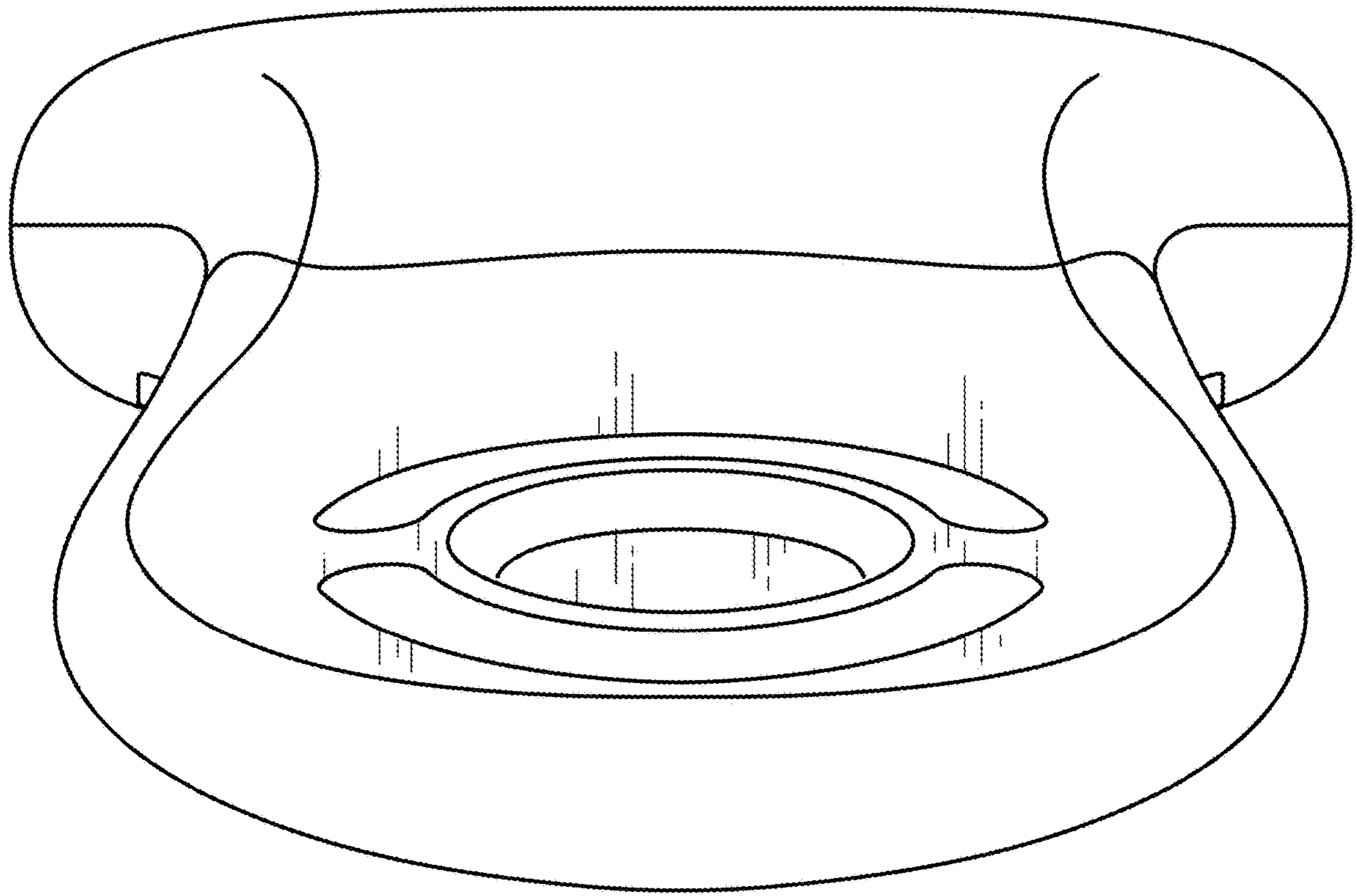


FIG. 5

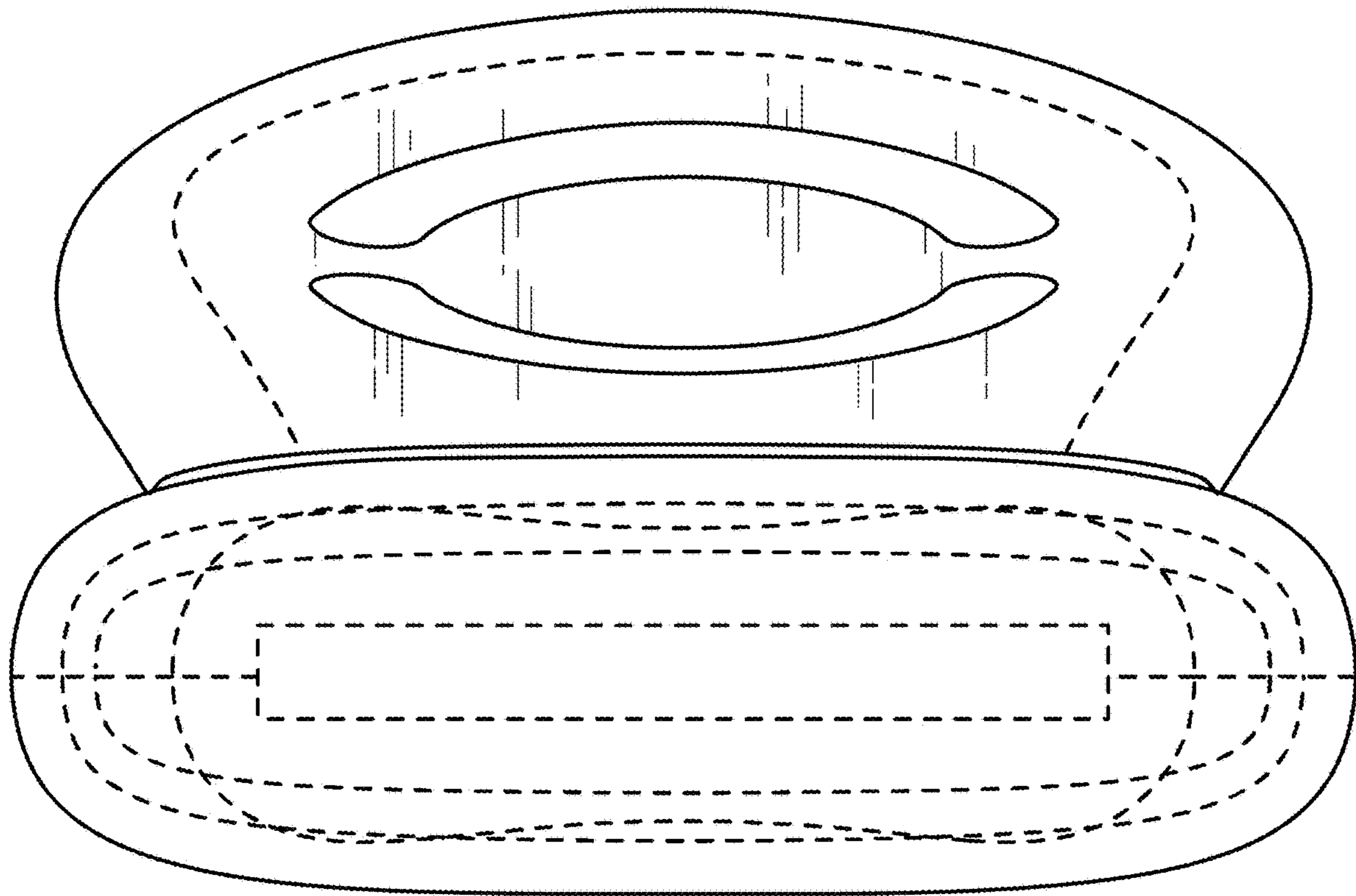


FIG. 6

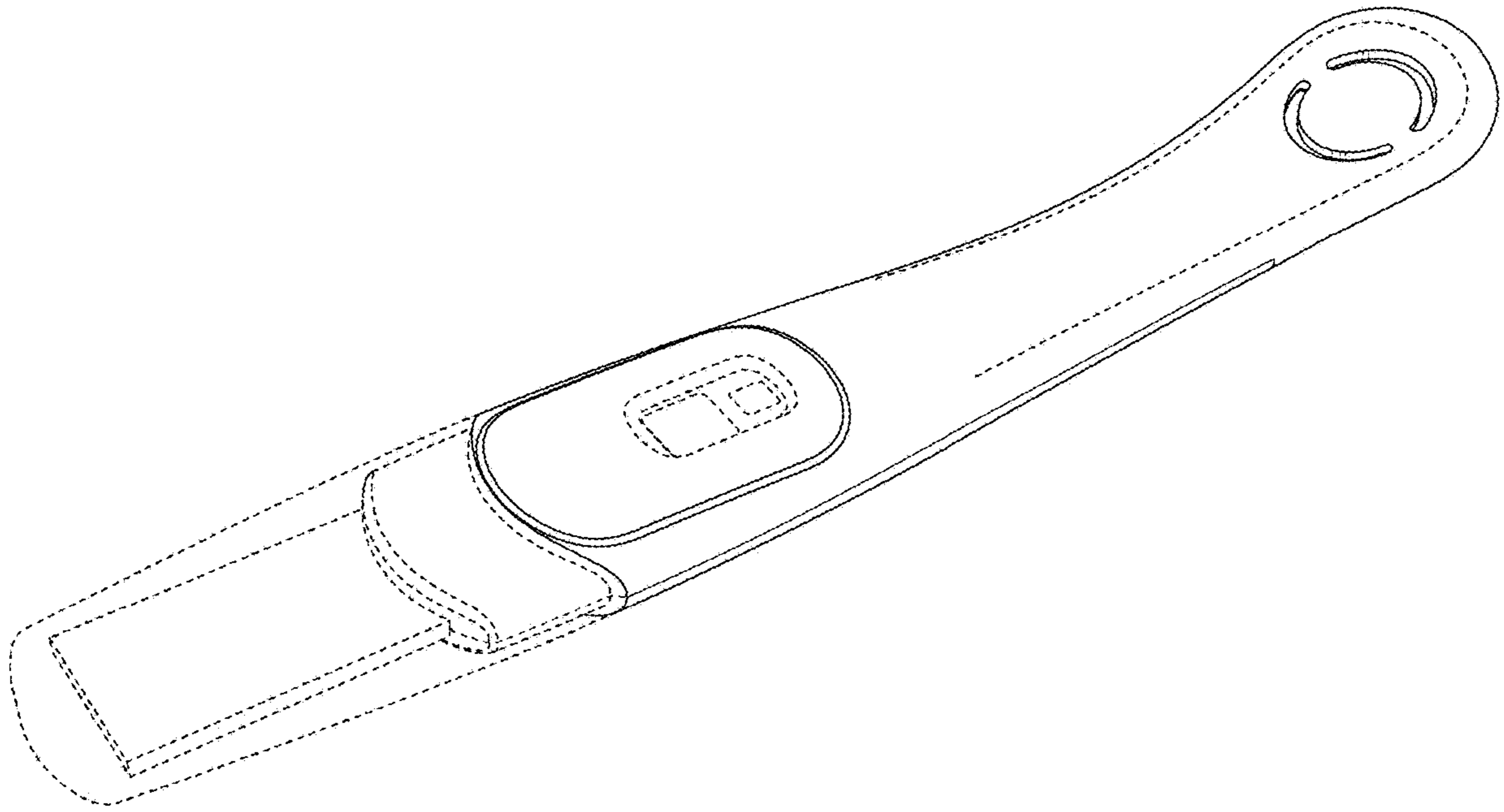


FIG. 7

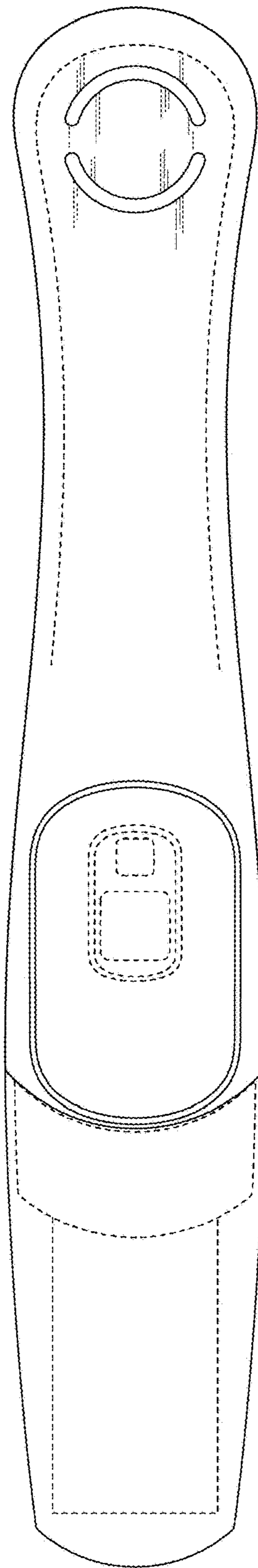


FIG. 8

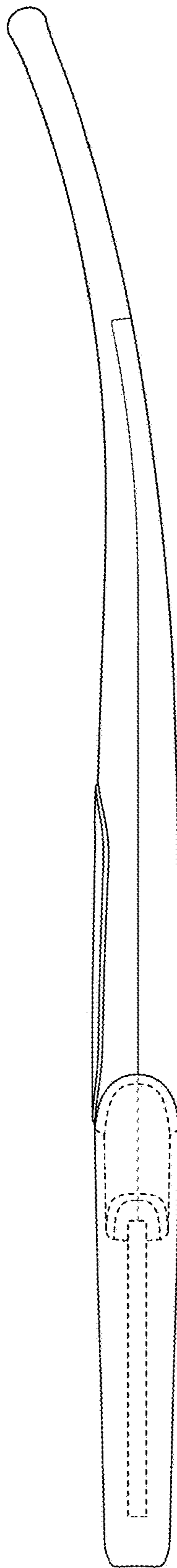


FIG. 9

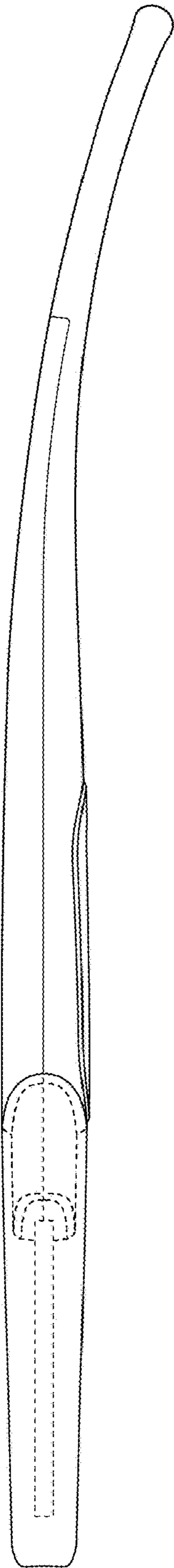


FIG. 10

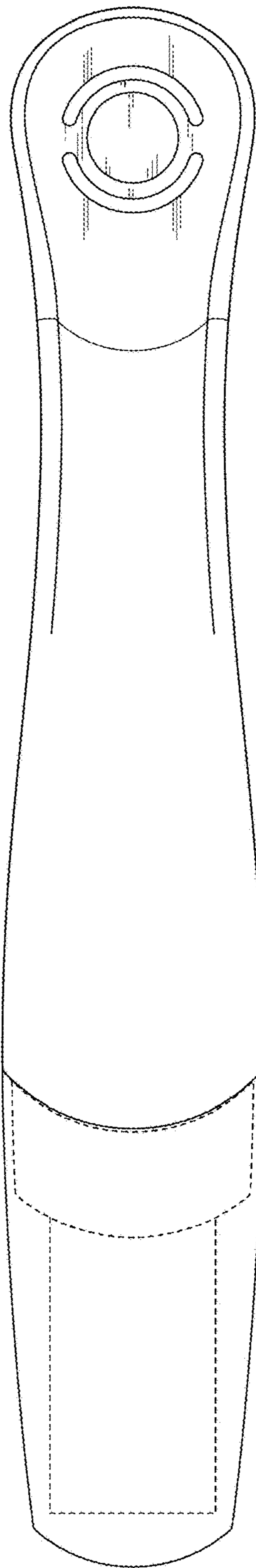


FIG. 11

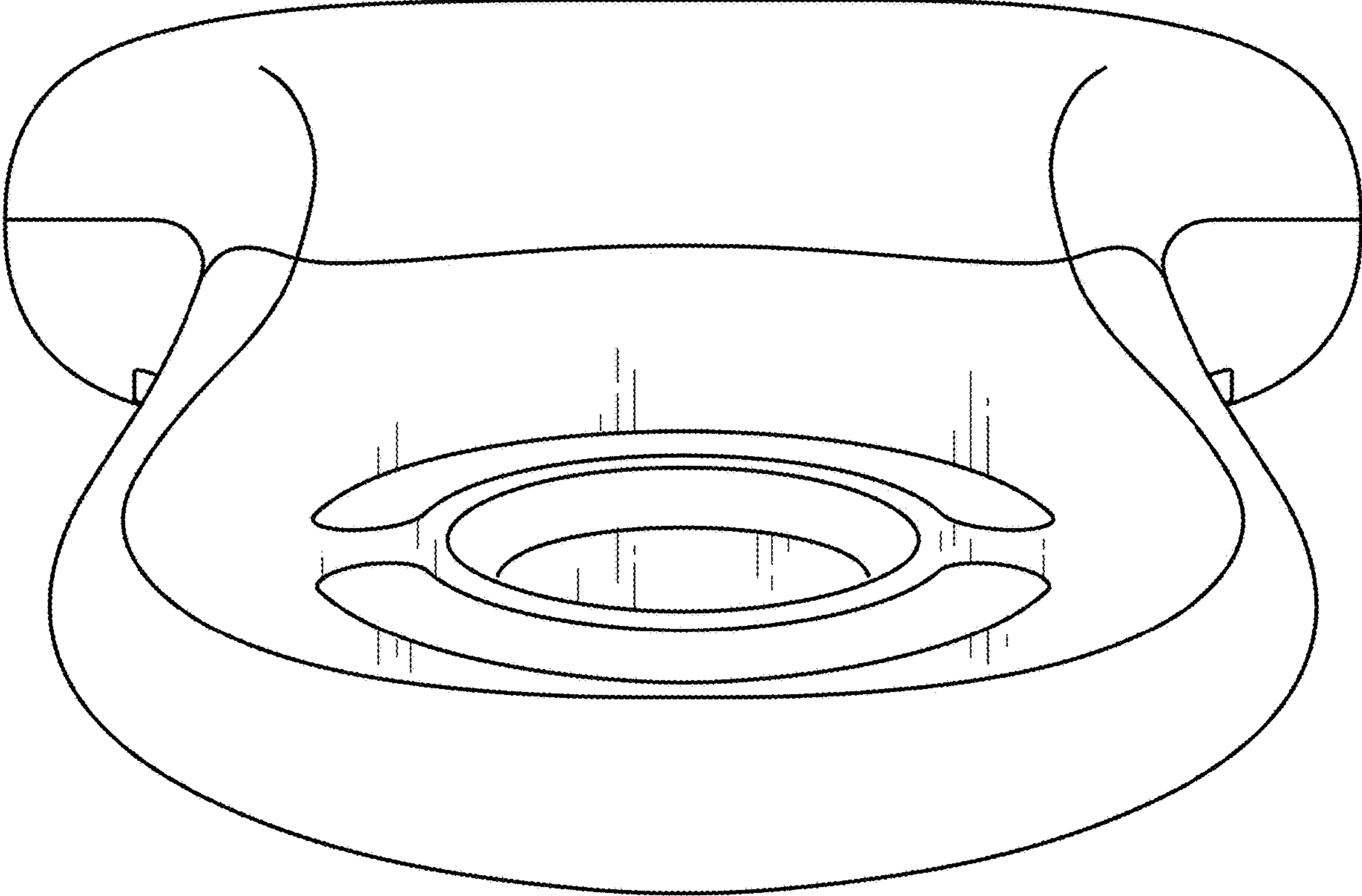


FIG. 12

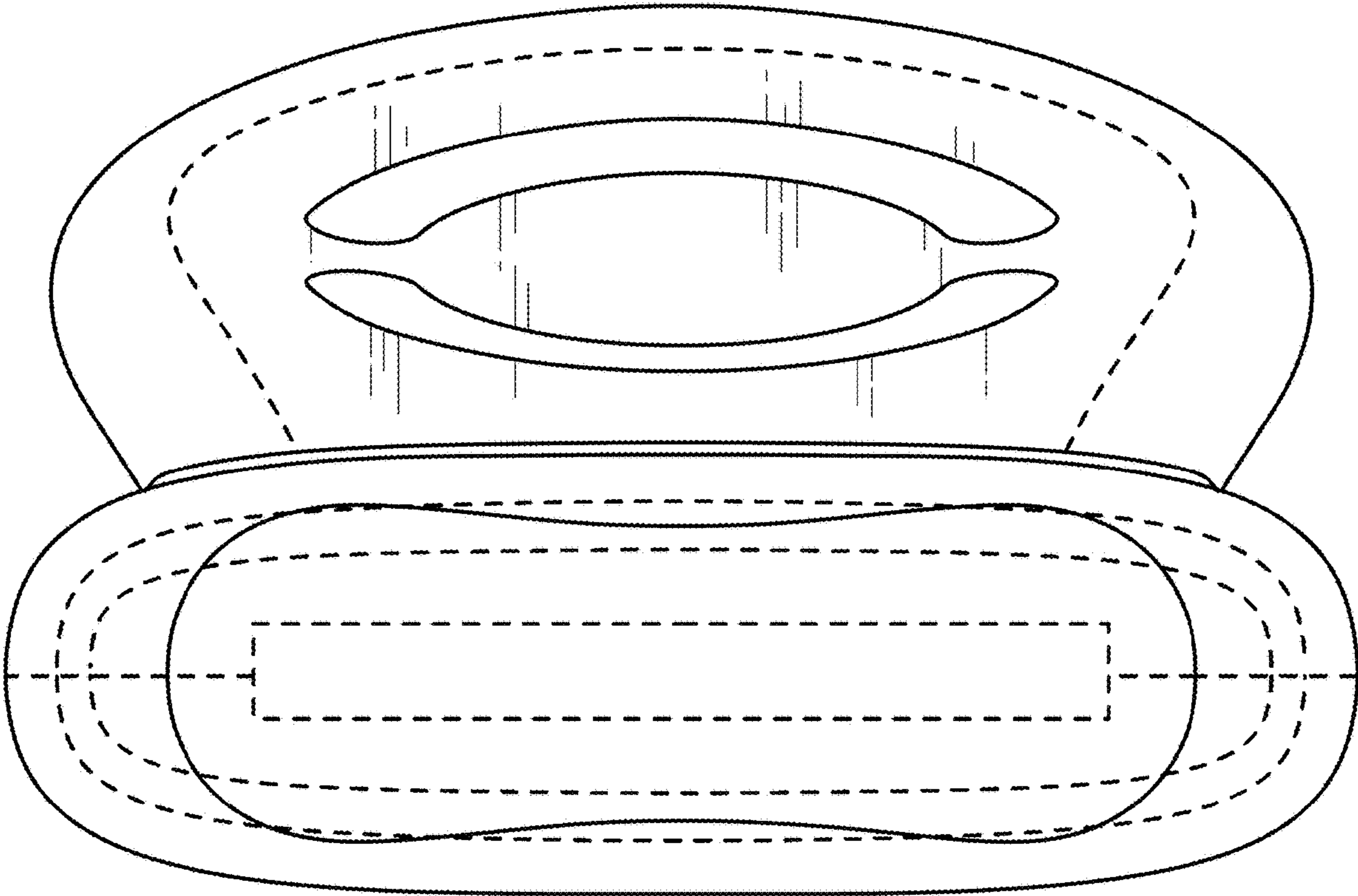


FIG. 13

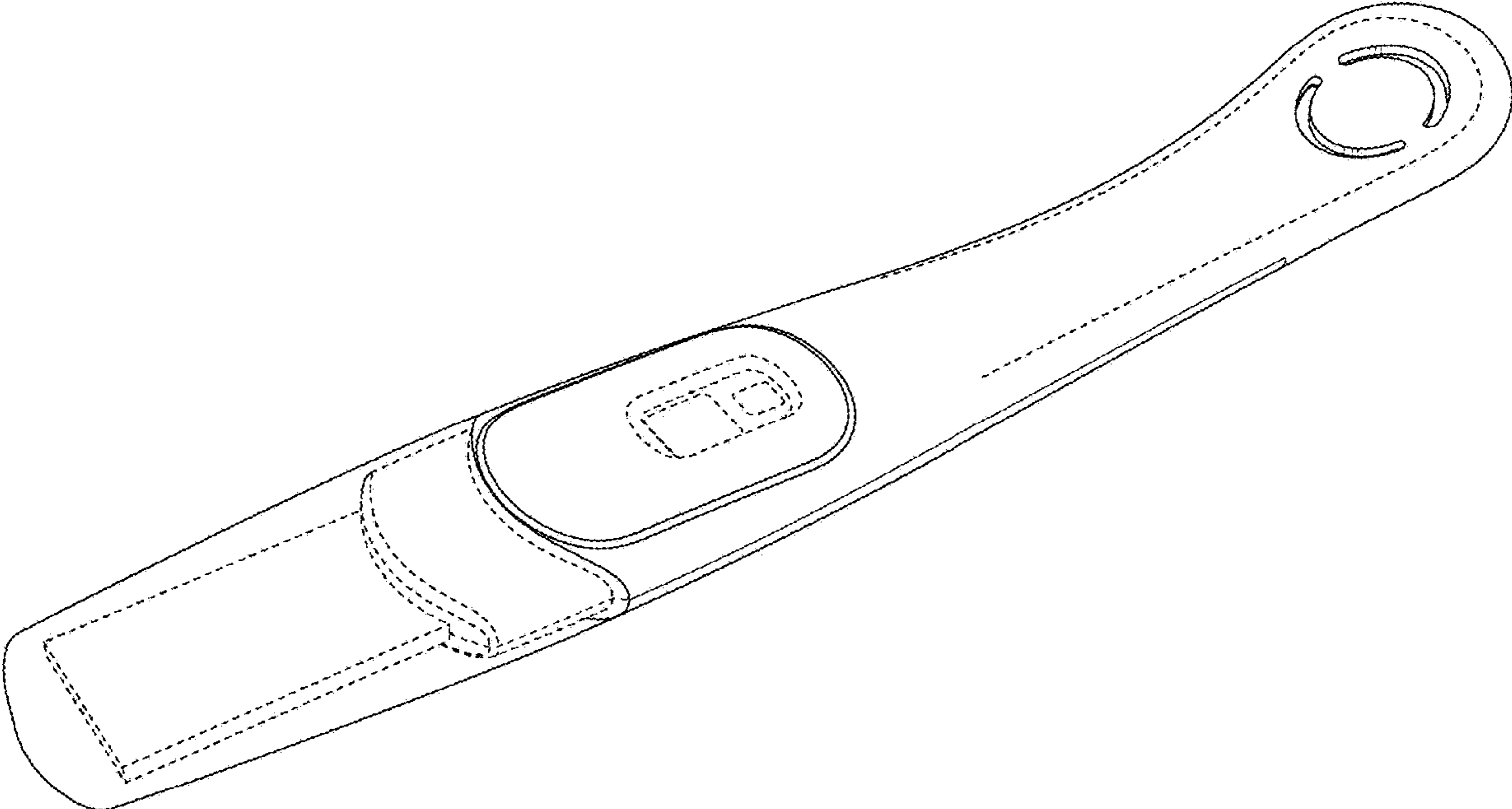


FIG. 14