



US00D903894S

(12) **United States Design Patent** (10) **Patent No.:** **US D903,894 S**
Zhou et al. (45) **Date of Patent:** **** Dec. 1, 2020**

(54) **MICROTOME**

(56) **References Cited**

(71) Applicant: **LEICA MICROSYSTEMS LTD., SHANGHAI, Shanghai (CN)**
(72) Inventors: **Gang Zhou, Shanghai (CN); Jingtian Zhang, Shanghai (CN); Zheguang Fan, Shanghai (CN); Xiang Liang, Shanghai (CN)**
(73) Assignee: **LEICA MICROSYSTEMS LTD. SHANGHAI, Shanghai (CN)**
(**) Term: **15 Years**
(21) Appl. No.: **29/715,316**
(22) Filed: **Dec. 1, 2019**

U.S. PATENT DOCUMENTS

3,212,379 A * 10/1965 McCormick G01N 1/06 83/167
D326,921 S * 6/1992 Holbl D24/216
D383,548 S * 9/1997 Hoelbl D24/216
D668,347 S * 10/2012 Hoelbl D24/216
10,345,198 B2 * 7/2019 Walter G01N 1/06
10,422,724 B2 * 9/2019 Bui B26D 7/015
D872,297 S * 1/2020 Zhou D24/216
2004/0261597 A1 * 12/2004 Thiem G01N 1/06 83/703
2008/0072722 A1 * 3/2008 Tanki G01B 11/2408 83/74
2019/0195743 A1 * 6/2019 Rich G01N 1/06
* cited by examiner

Primary Examiner — Anhdao Doan
(74) *Attorney, Agent, or Firm* — Hodgson Russ LLP

Related U.S. Application Data

(62) Division of application No. 29/635,585, filed on Jan. 31, 2018, now Pat. No. Des. 872,297.

(57) **CLAIM**

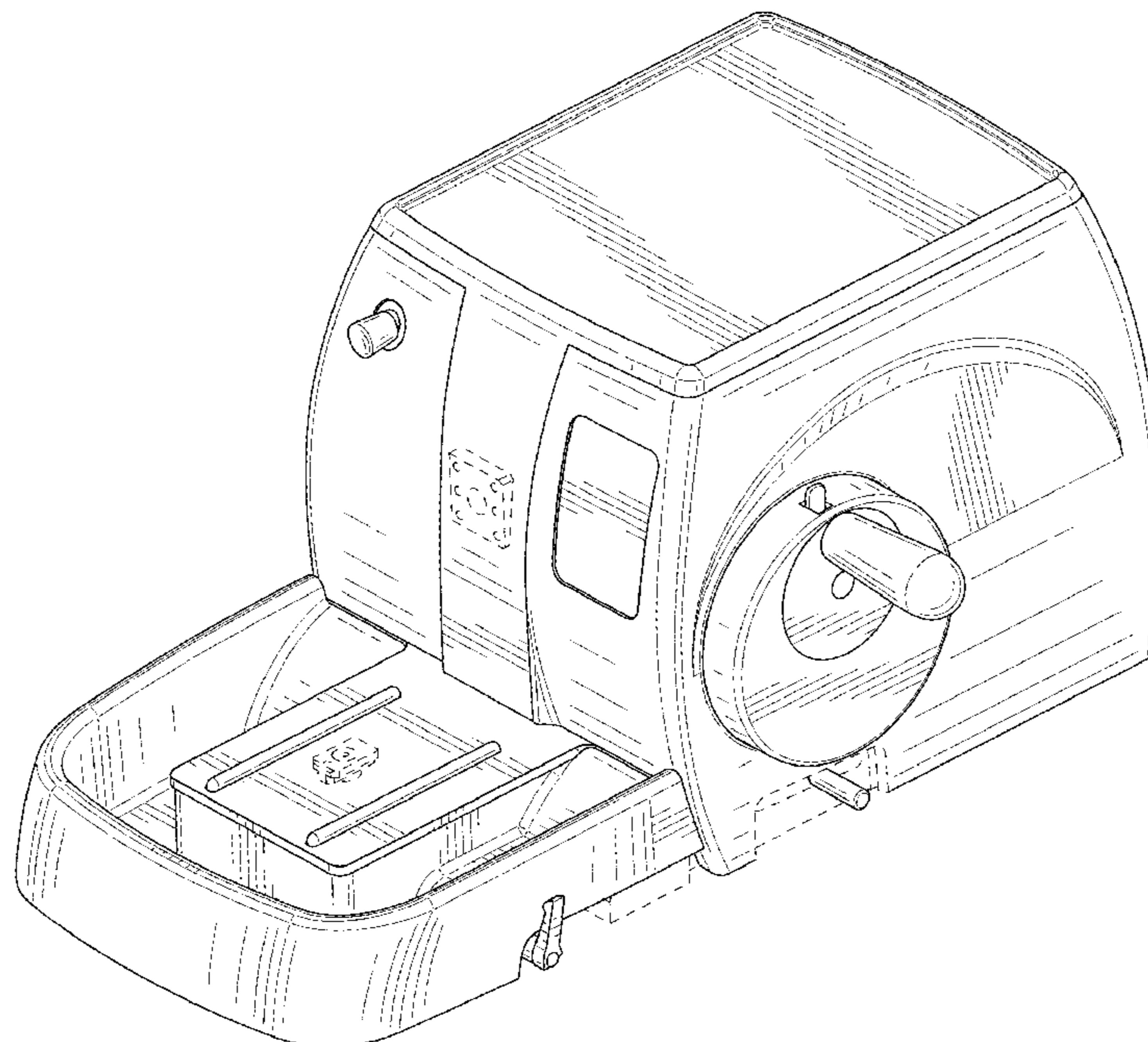
The ornamental design for a microtome, as shown and described.

DESCRIPTION

(30) **Foreign Application Priority Data**
Nov. 30, 2017 (CN) 2017 3 0601491
(51) **LOC (12) Cl.** **24-01**
(52) **U.S. Cl.**
USPC **D24/216**
(58) **Field of Classification Search**
USPC D24/107, 185, 186, 216, 231–234; D10/81
CPC G01N 1/06; G01N 1/31; G01N 2001/061; G01N 2001/065; Y10T 83/202; Y10T 436/11; Y10T 436/112499
See application file for complete search history.

FIG. 1 is a front-top-right side perspective view of a microtome;
FIG. 2 is a front-top-left side perspective view thereof;
FIG. 3 is a front elevation view thereof;
FIG. 4 is a rear elevation view thereof;
FIG. 5 is a right side elevation view thereof;
FIG. 6 is a left side elevation view thereof;
FIG. 7 is a top plan view thereof; and,
FIG. 8 is a bottom plan view thereof.
The broken lines illustrate unclaimed portions of the microtome that form no part of the claimed design.

1 Claim, 8 Drawing Sheets



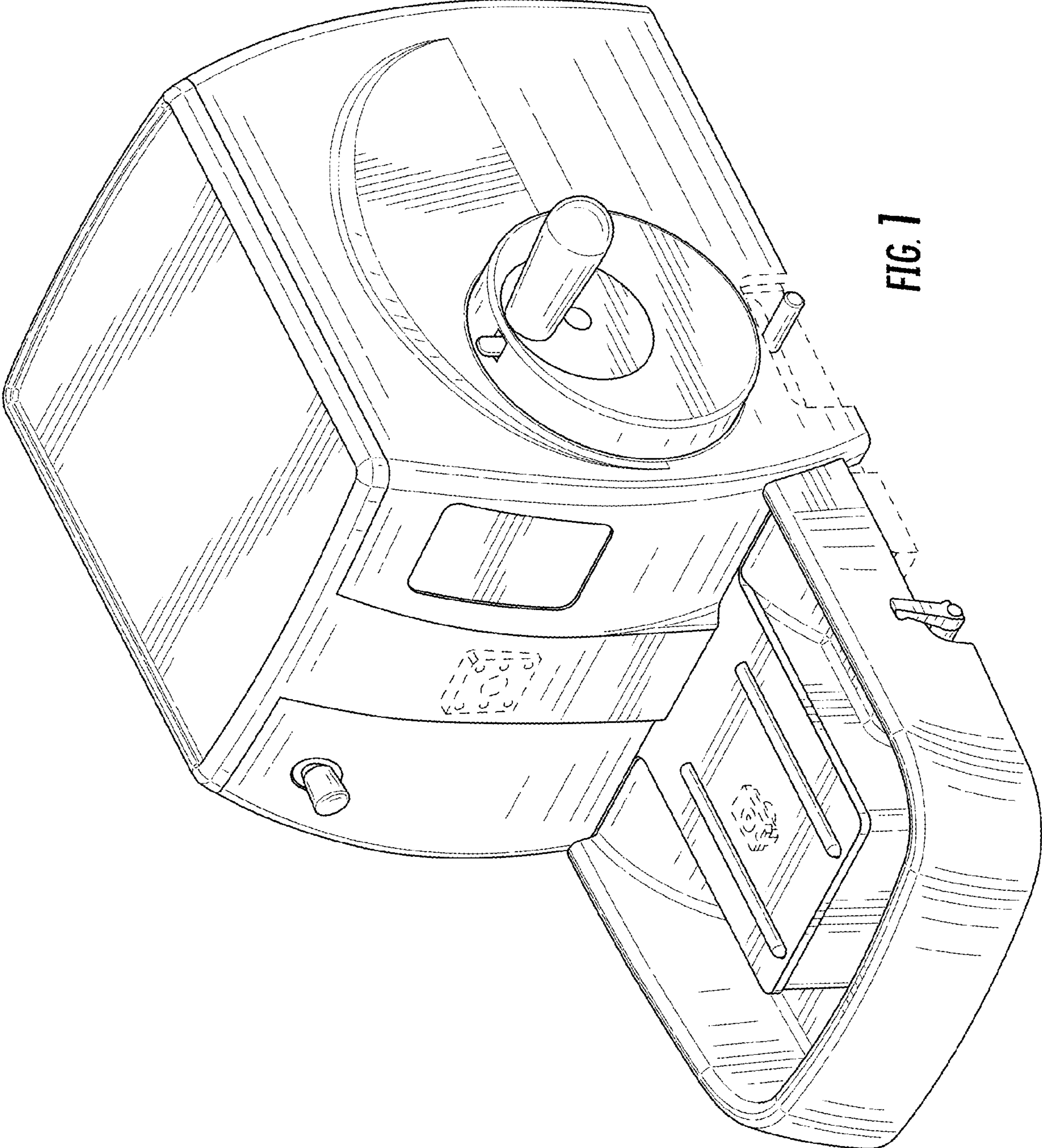


FIG. 1

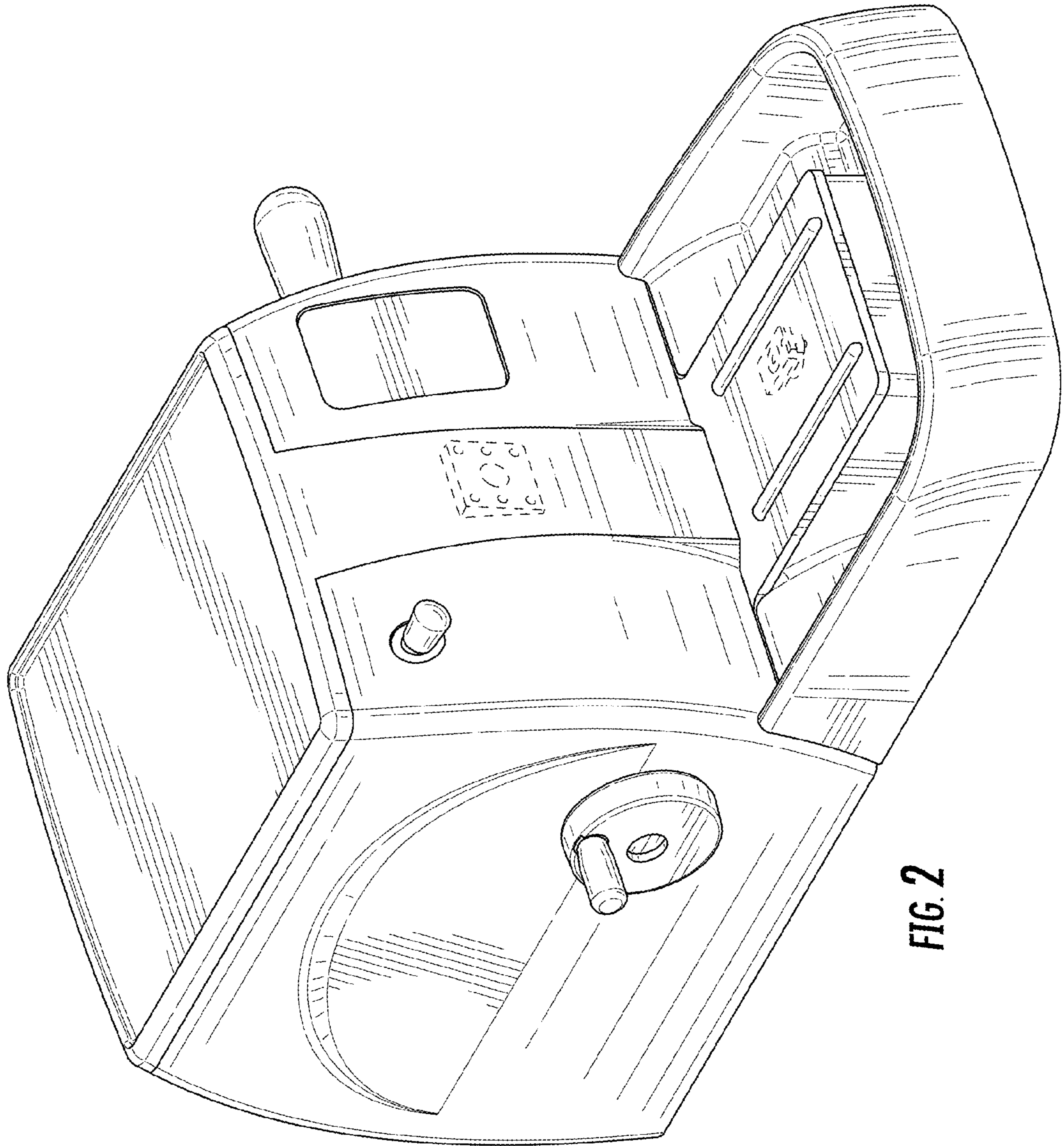


FIG. 2

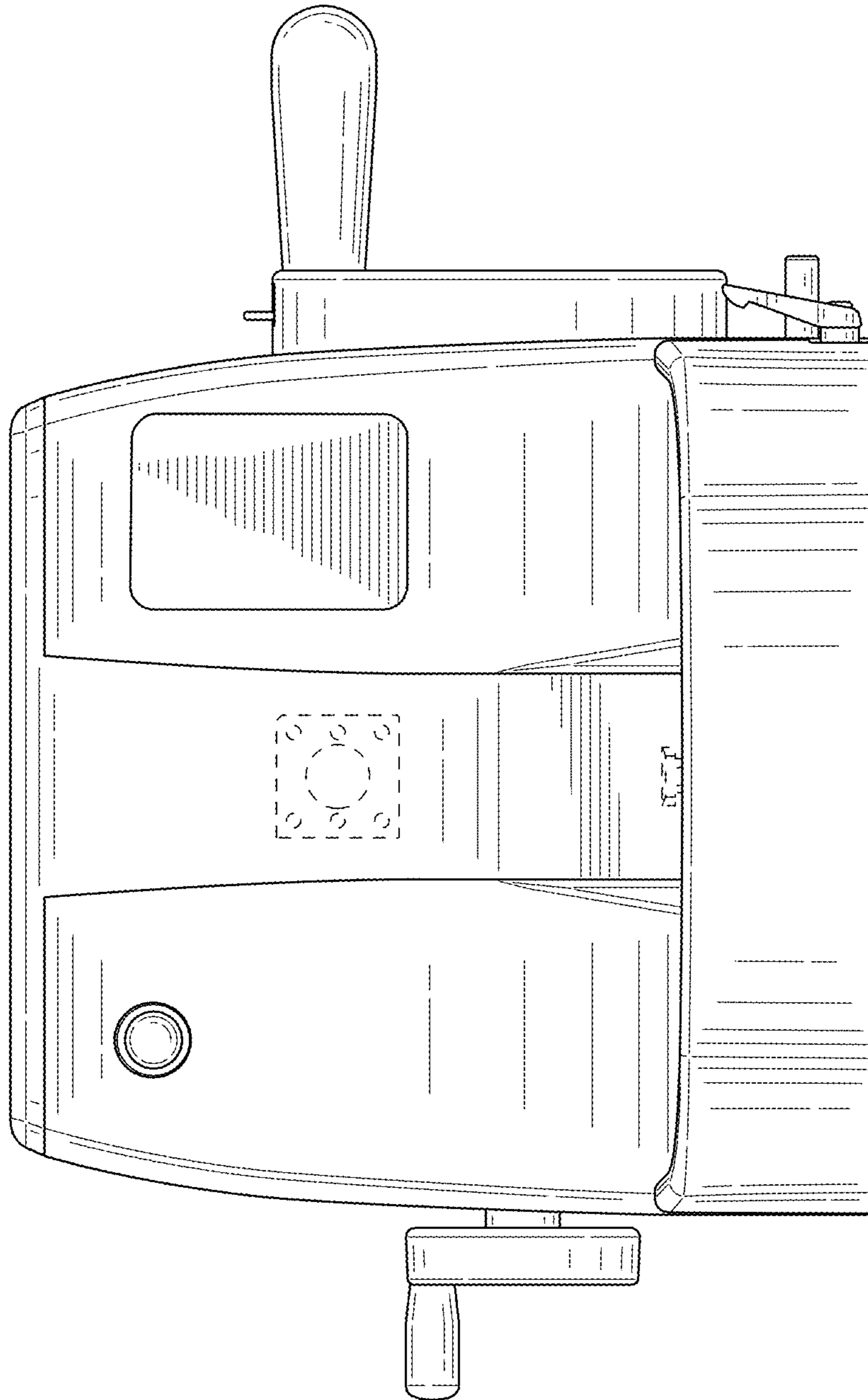


FIG. 3

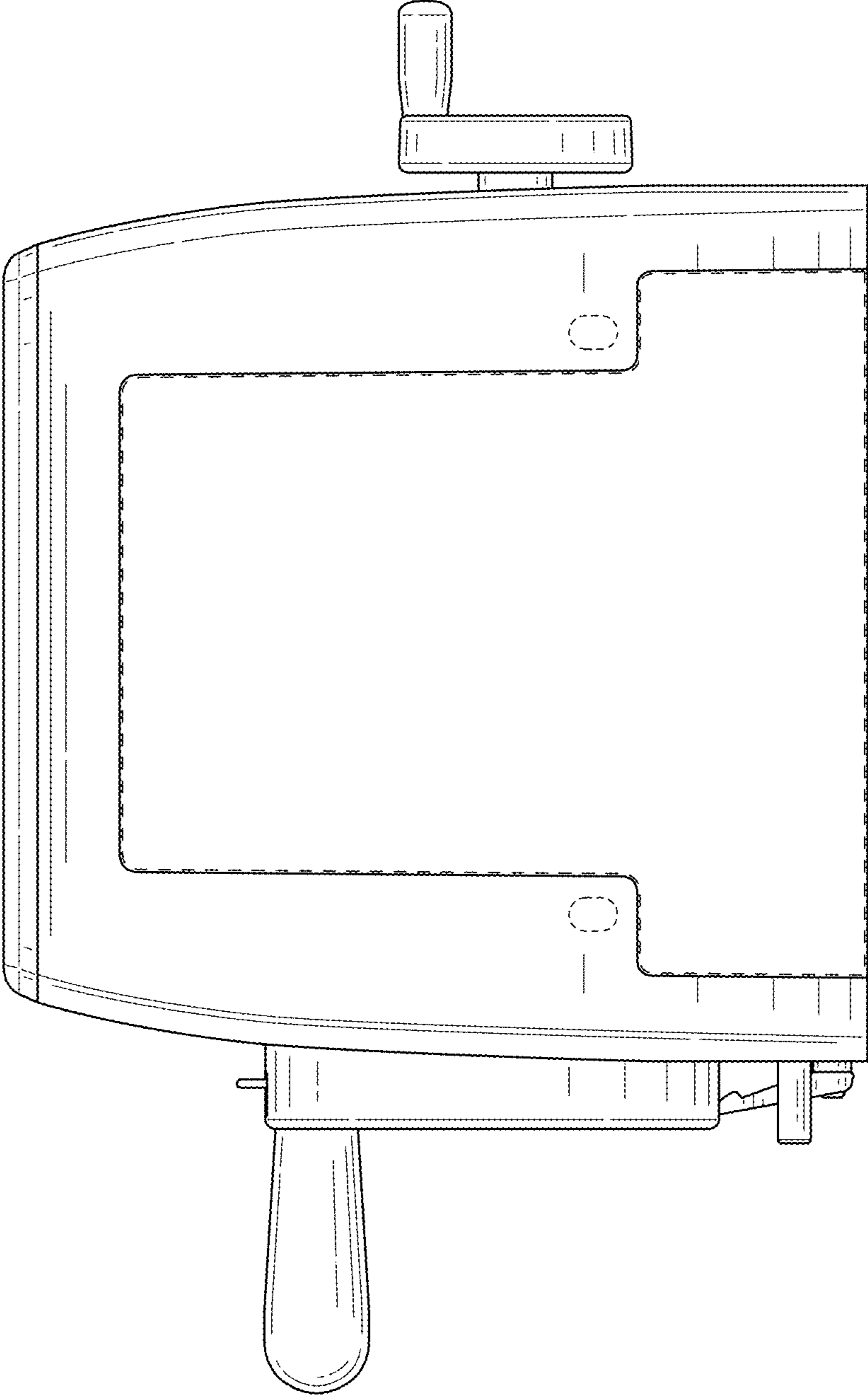


FIG. 4

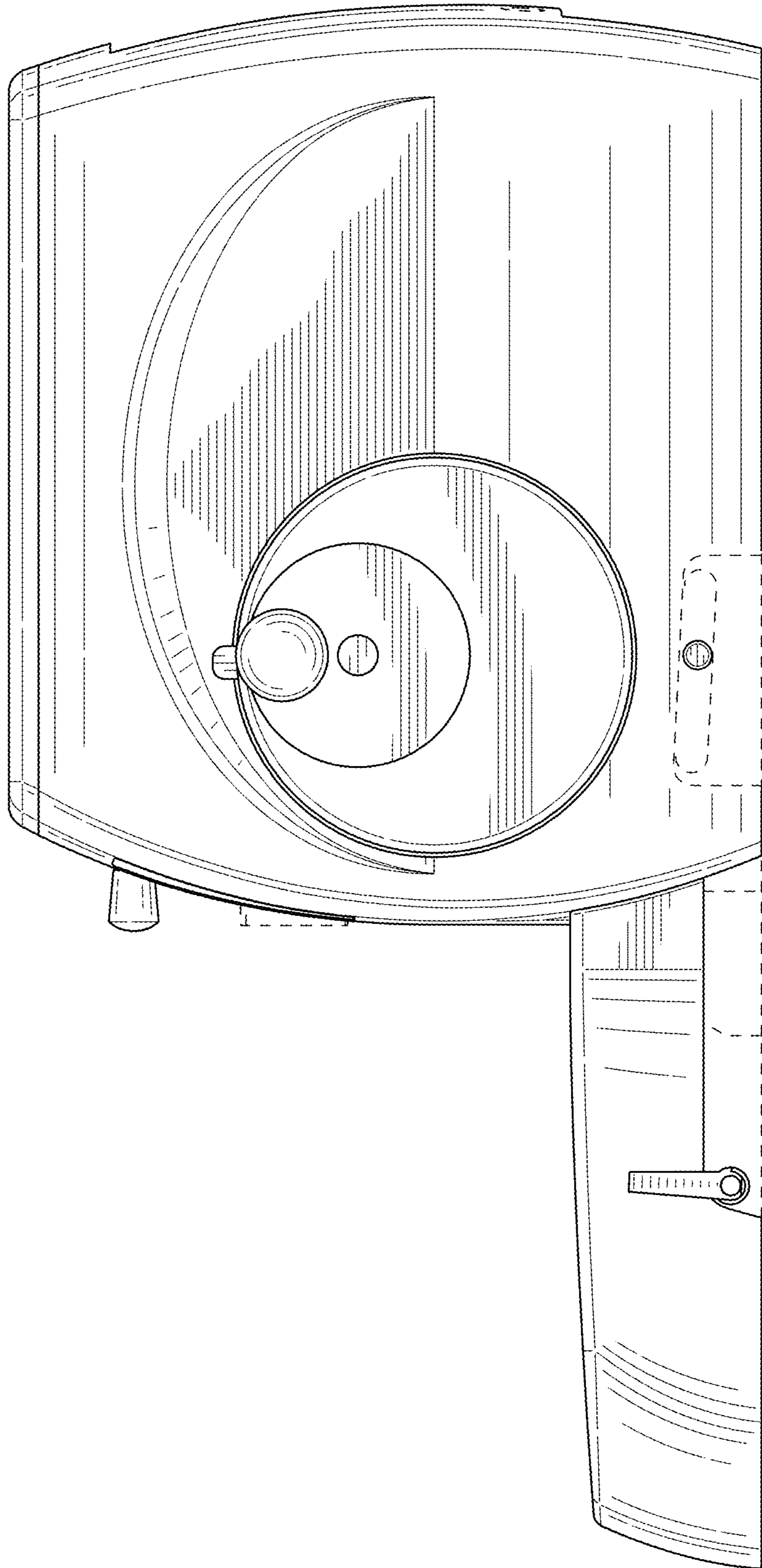


FIG. 5

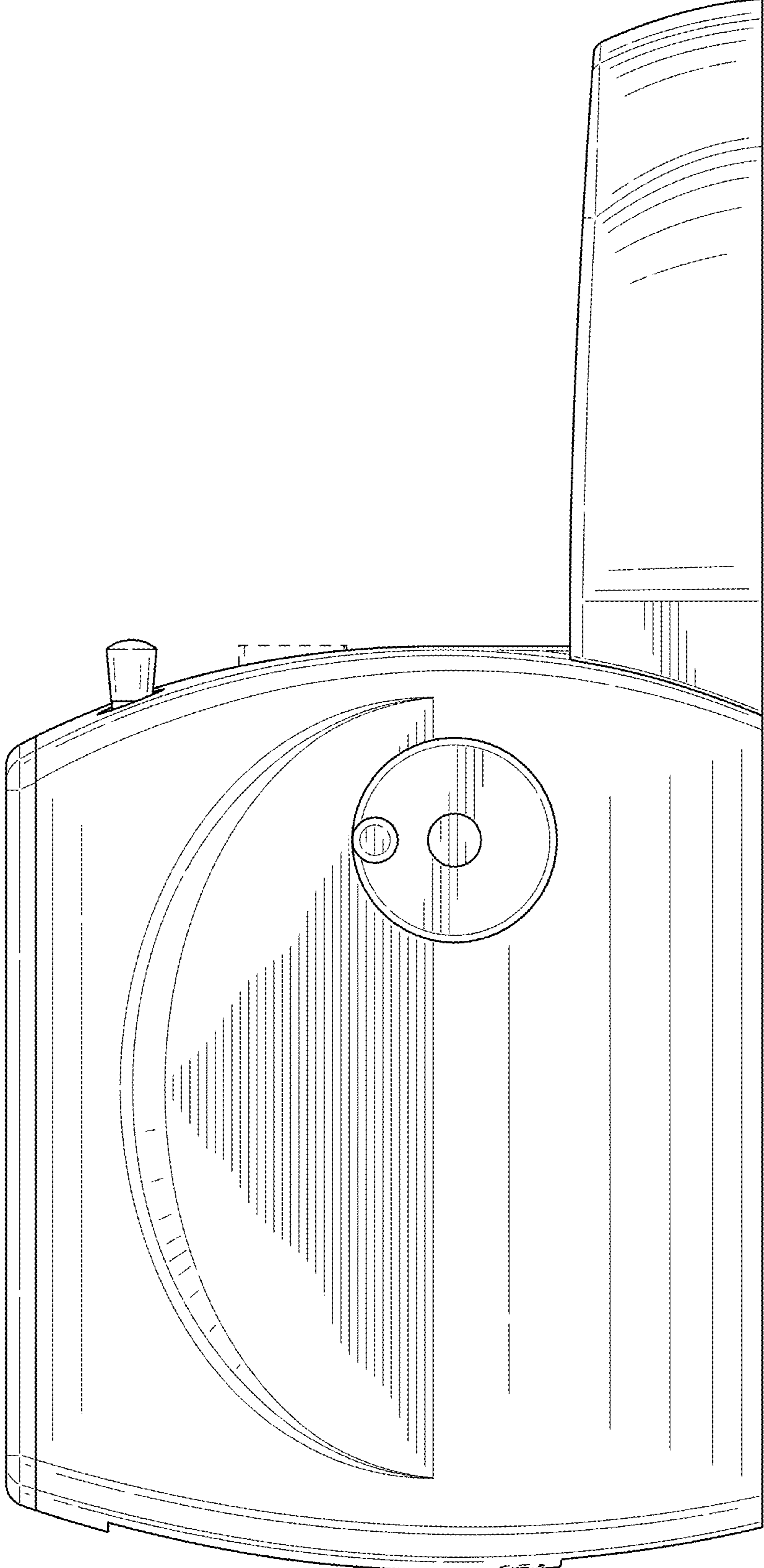


FIG. 6

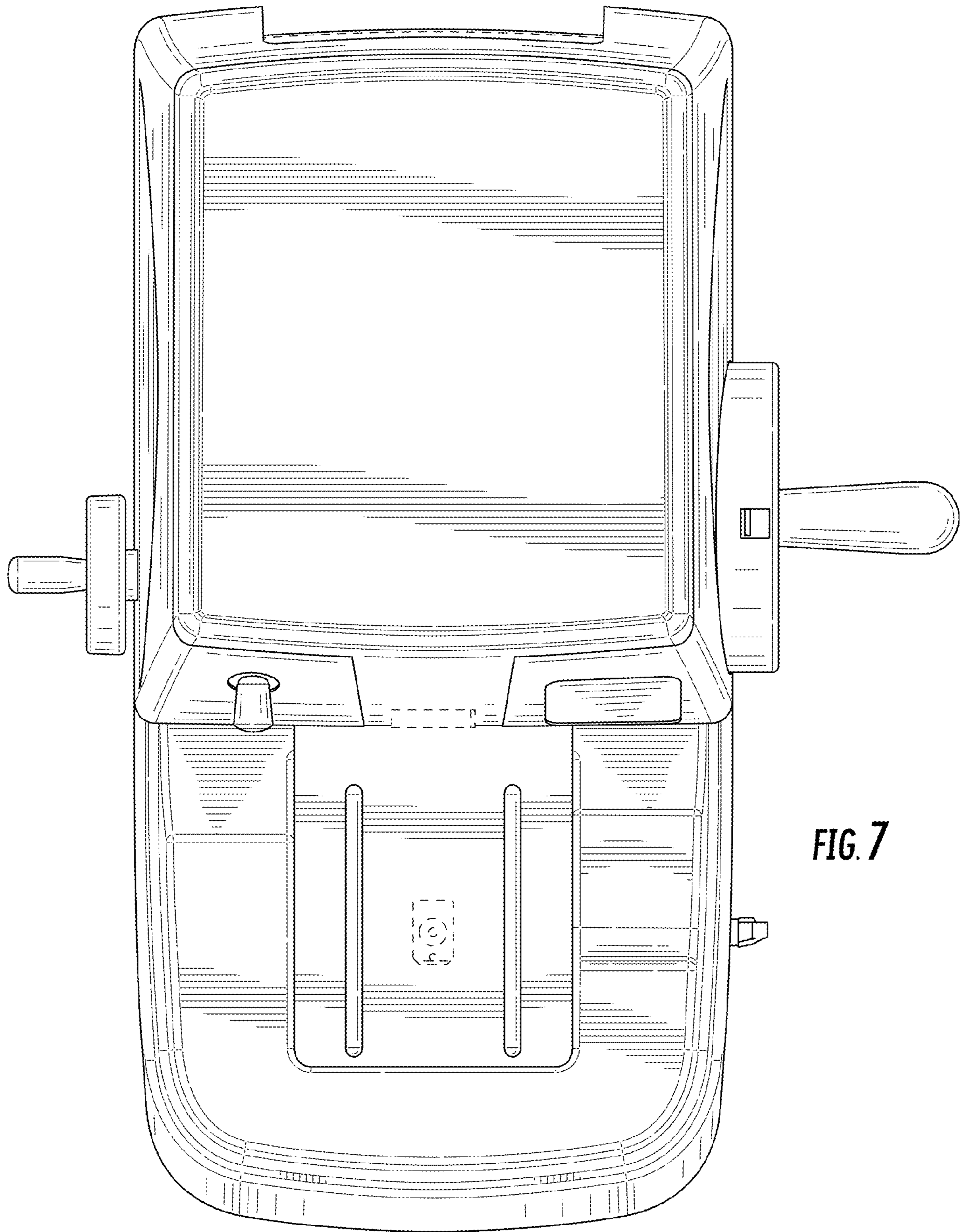


FIG. 7

