



US00D903893S

(12) **United States Design Patent** (10) **Patent No.:** **US D903,893 S**
Zhou et al. (45) **Date of Patent:** **** Dec. 1, 2020**

(54) **MICROTOME**

(56) **References Cited**

(71) Applicant: **LEICA MICROSYSTEMS LTD., SHANGHAI, Shanghai (CN)**
(72) Inventors: **Gang Zhou, Shanghai (CN); Jingtian Zhang, Shanghai (CN); Zheguang Fan, Shanghai (CN); Xiang Liang, Shanghai (CN)**
(73) Assignee: **LEICA MICROSYSTEMS LTD. SHANGHAI, Shanghai (CN)**
(**) Term: **15 Years**
(21) Appl. No.: **29/715,315**
(22) Filed: **Dec. 1, 2019**

U.S. PATENT DOCUMENTS

3,212,379 A * 10/1965 McCormick G01N 1/06
83/167
D326,921 S * 6/1992 Holbl D24/216
D383,548 S * 9/1997 Hoelbl D24/216
D668,347 S * 10/2012 Hoelbl D24/216
10,345,198 B2 * 7/2019 Walter G01N 1/06
10,422,724 B2 * 9/2019 Bui B26D 7/015
D872,297 S * 1/2020 Zhou D24/216
2004/0261597 A1 * 12/2004 Thiem G01N 1/06
83/703
2008/0072722 A1 * 3/2008 Tanki G01B 11/2408
83/74
2019/0195743 A1 * 6/2019 Rich G01N 1/06

* cited by examiner

Primary Examiner — Anhdao Doan
(74) *Attorney, Agent, or Firm* — Hodgson Russ LLP

(57) **CLAIM**

The ornamental design for a microtome, as shown and described.

DESCRIPTION

FIG. 1 is a front-top-right side perspective view of a microtome;
FIG. 2 is a front-top-left side perspective view thereof;
FIG. 3 is a front elevation view thereof;
FIG. 4 is a rear elevation view thereof;
FIG. 5 is a right side elevation view thereof;
FIG. 6 is a left side elevation view thereof;
FIG. 7 is a top plan view thereof; and,
FIG. 8 is a bottom plan view thereof.
The broken lines illustrate unclaimed portions of the microtome that form no part of the claimed design.

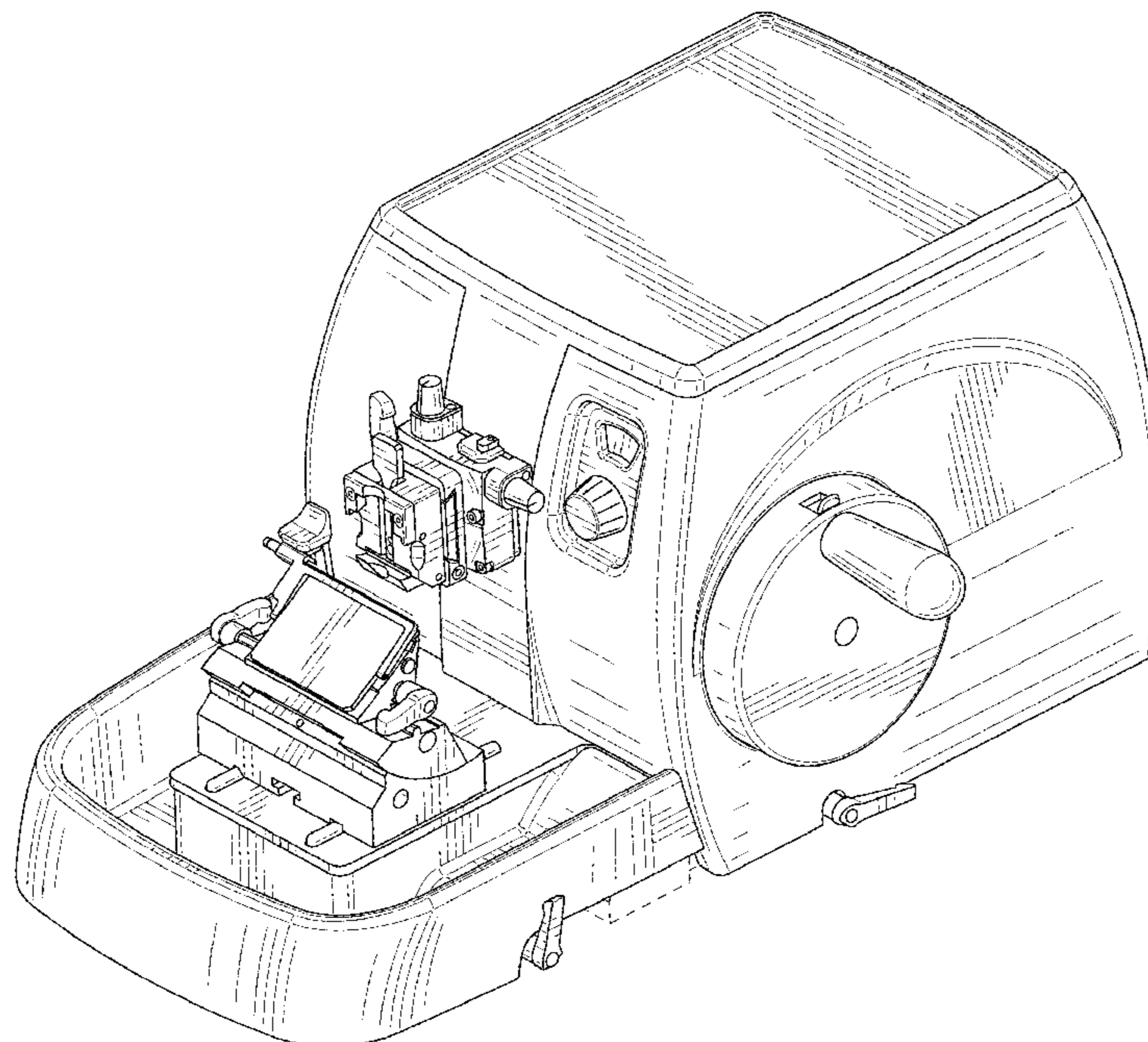
Related U.S. Application Data

(62) Division of application No. 29/635,585, filed on Jan. 31, 2018, now Pat. No. Des. 872,297.

Foreign Application Priority Data

Nov. 30, 2017 (CN) 2017 3 0601491
(51) **LOC (12) Cl.** **24-01**
(52) **U.S. Cl.**
USPC **D24/216**
(58) **Field of Classification Search**
USPC D24/107, 185, 186, 216, 231–234;
D10/81
CPC G01N 1/06; G01N 1/31; G01N 2001/061;
G01N 2001/065; Y10T 83/202; Y10T
436/11; Y10T 436/112499
See application file for complete search history.

1 Claim, 8 Drawing Sheets



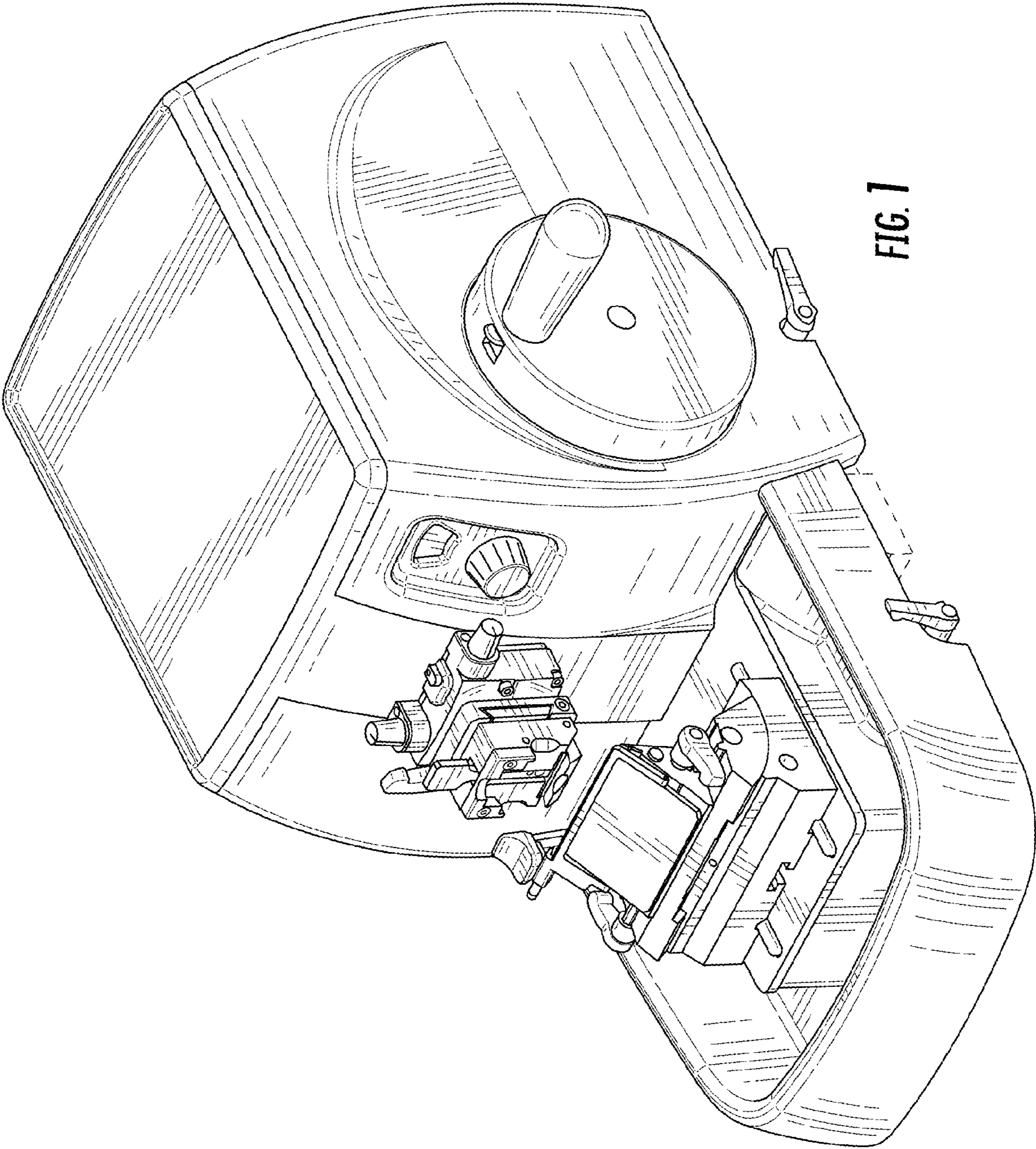


FIG. 1

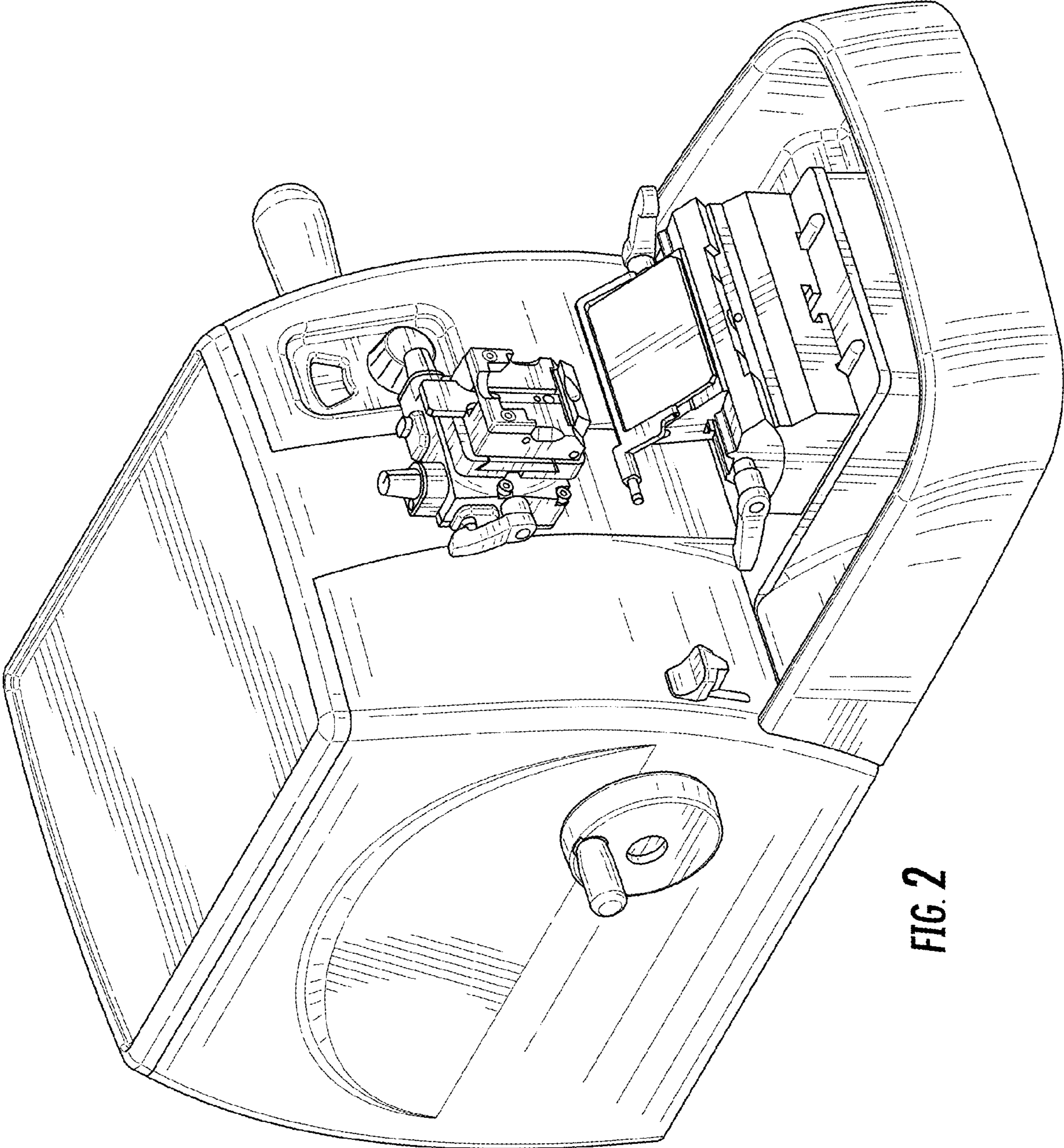


FIG. 2

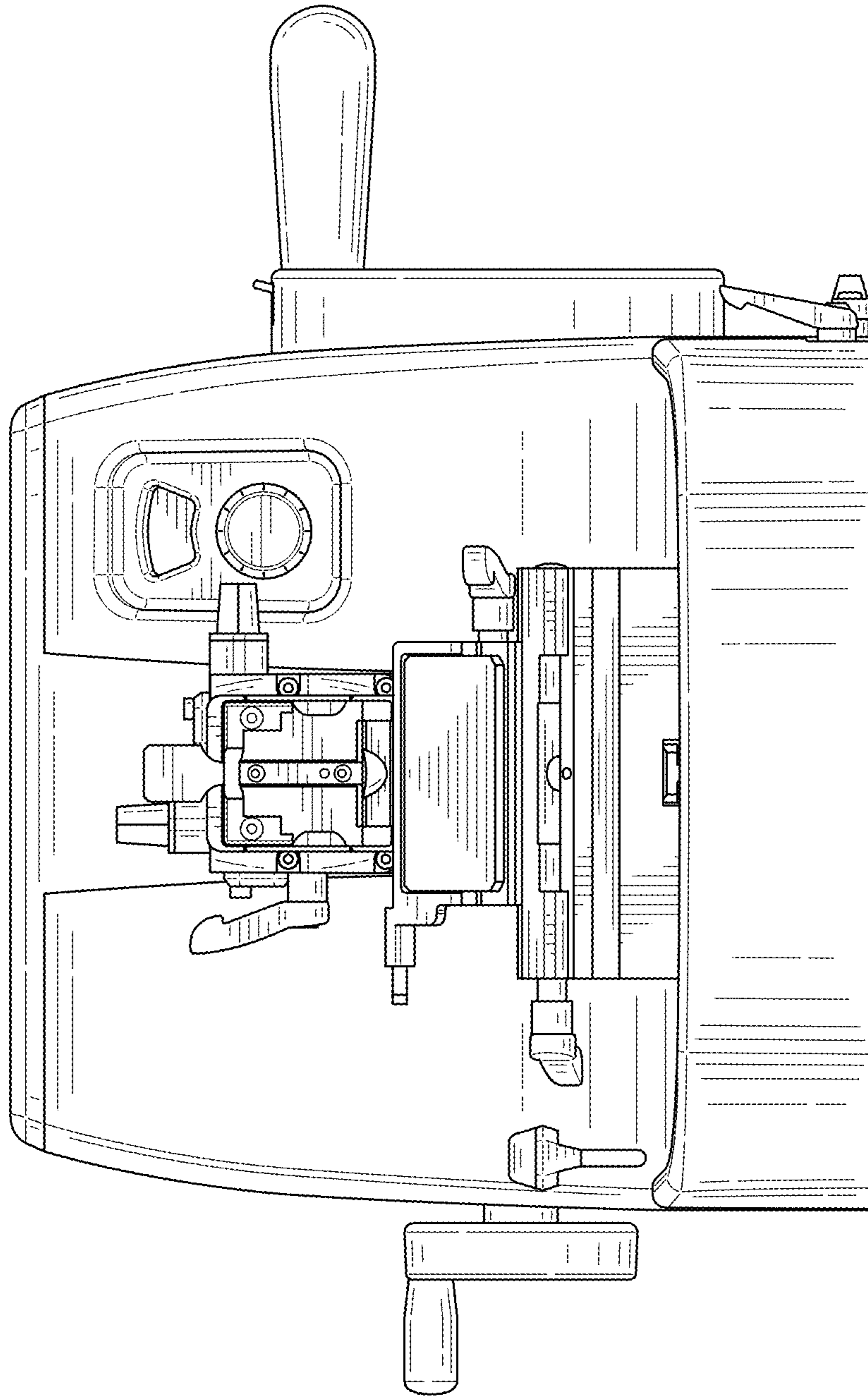


FIG. 3

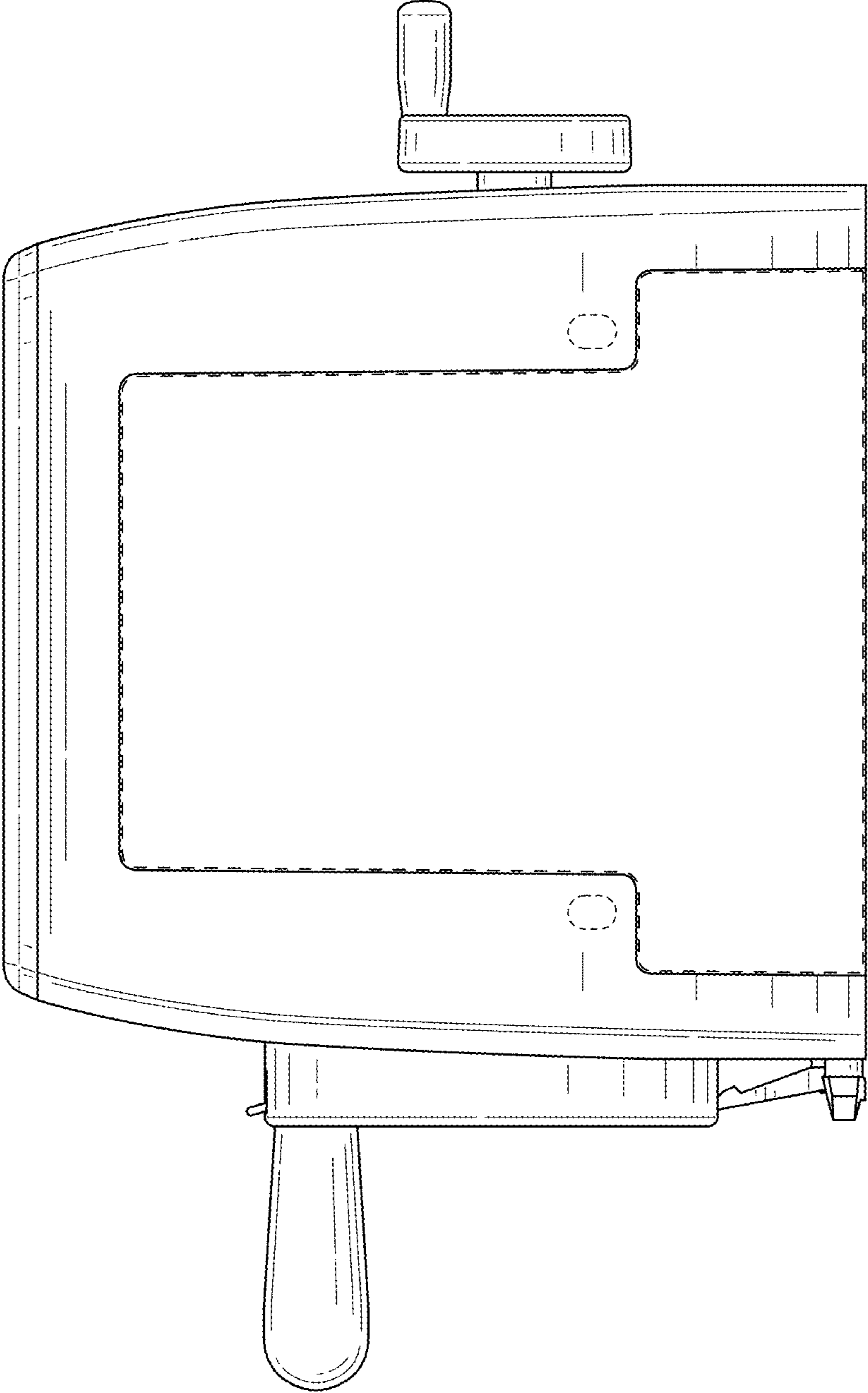


FIG. 4

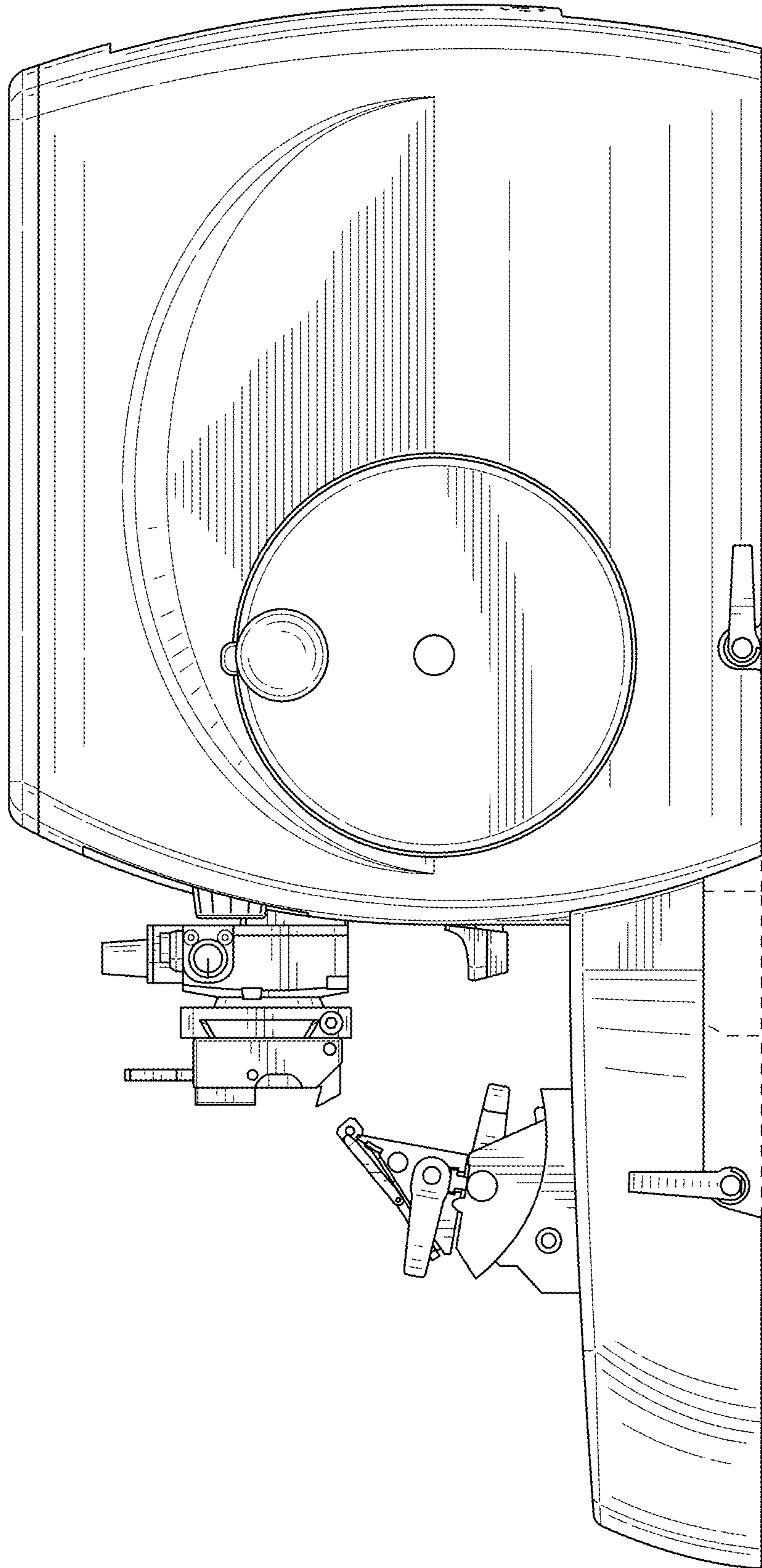


FIG. 5

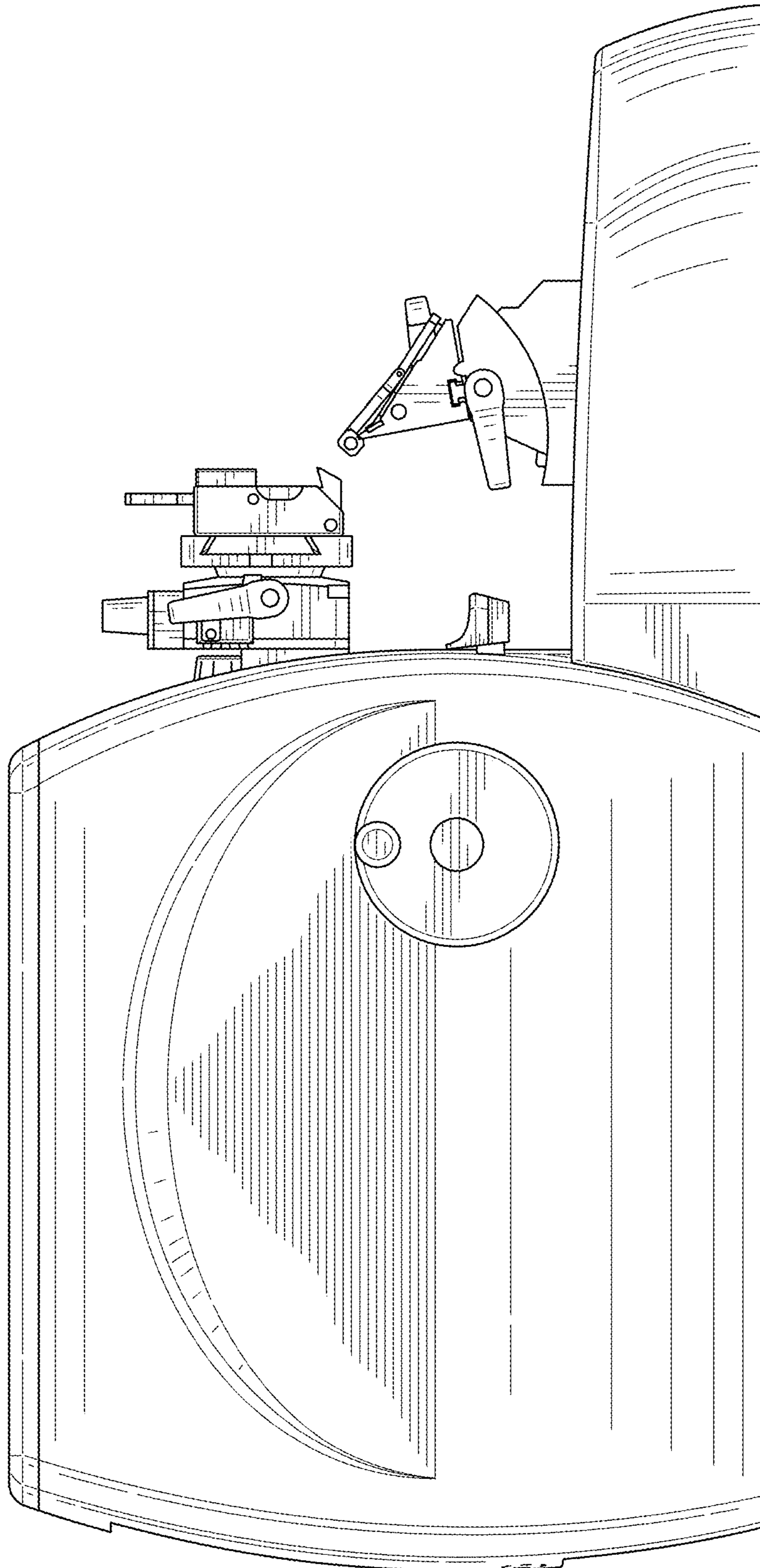


FIG. 6

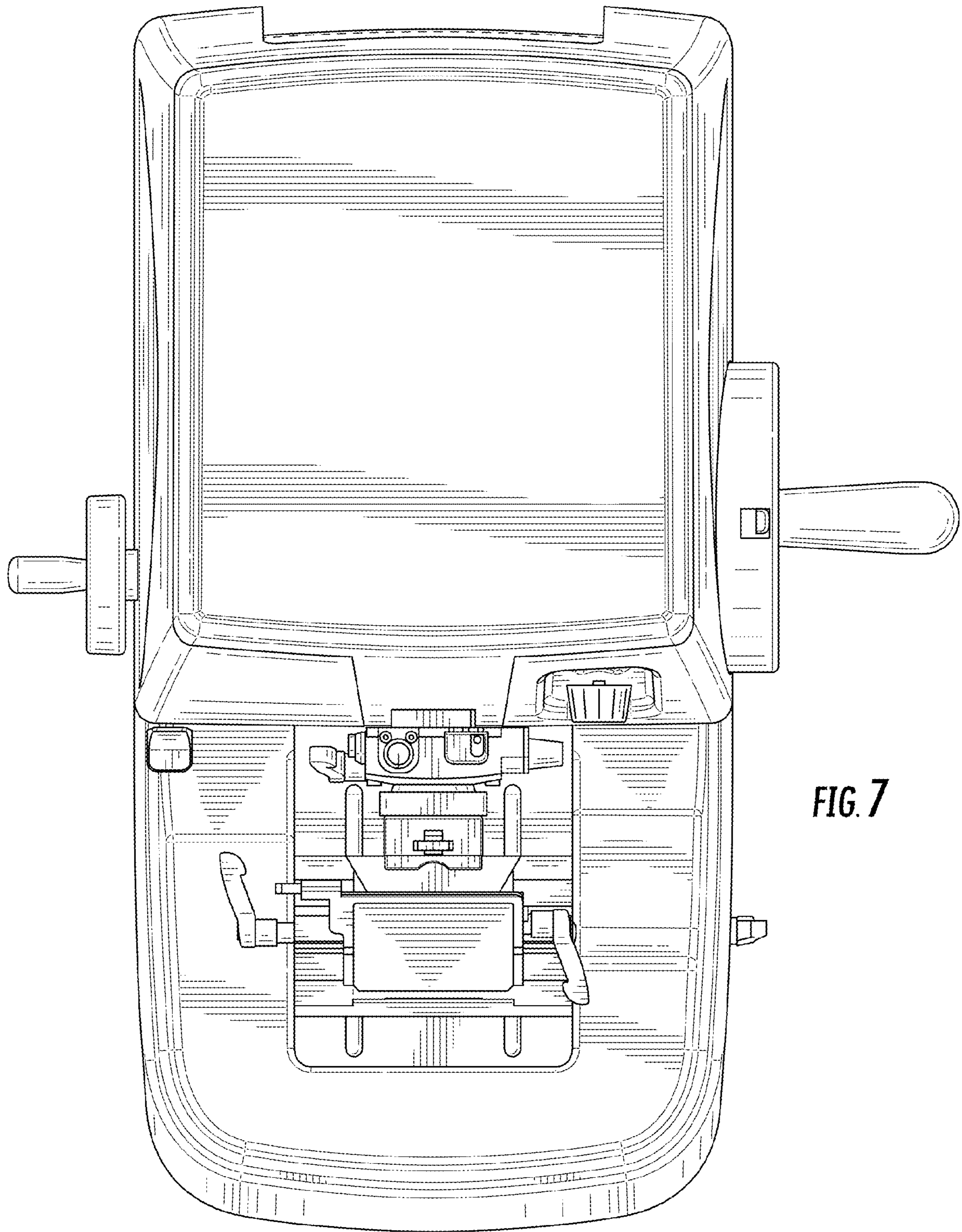


FIG. 7

