



US00D903889S

(12) **United States Design Patent** (10) **Patent No.:** **US D903,889 S**  
**Luo et al.** (45) **Date of Patent:** **\*\* Dec. 1, 2020**

(54) **SKIN CARE APPARATUS**  
 (71) Applicant: **Shenzhen Hongwang Nicemay Electric Co., Ltd**, Shenzhen (CN)  
 (72) Inventors: **Dewei Luo**, Shenzhen (CN); **Kaiqiang Qiu**, Shenzhen (CN)  
 (73) Assignee: **SHENZHEN HONGWANG NICEMAY ELECTRIC CO., LTD**, Shenzhen (CN)

D685,491 S \* 7/2013 Coral ..... D24/215  
 D725,788 S \* 3/2015 Matsushita ..... D24/211  
 D728,115 S \* 4/2015 Matsushita ..... D24/211  
 D756,527 S \* 5/2016 Cole ..... D24/200  
 D770,635 S \* 11/2016 Cole ..... D24/200  
 D844,797 S \* 4/2019 Matsushita ..... D24/211  
 D844,799 S \* 4/2019 Kim ..... D24/214  
 D845,496 S \* 4/2019 Cole ..... D24/200  
 D857,907 S \* 8/2019 Luo ..... D24/211  
 D858,786 S \* 9/2019 Luo ..... D24/214  
 D865,206 S \* 10/2019 Matsushita ..... D24/211  
 D866,789 S \* 11/2019 Yamazaki ..... D24/215  
 D868,277 S \* 11/2019 Yamazaki ..... D24/211  
 10,470,970 B2 \* 11/2019 Nazarian ..... A61H 15/00

(\*\*) Term: **15 Years**

(21) Appl. No.: **29/687,003**

(22) Filed: **Apr. 9, 2019**

(30) **Foreign Application Priority Data**

Oct. 11, 2018 (CN) ..... 2018 3 0567590

(51) **LOC (12) Cl.** ..... **28-03**

(52) **U.S. Cl.**  
USPC ..... **D24/211**

(58) **Field of Classification Search**  
USPC ..... D24/200, 211, 212, 213, 214, 215  
CPC ..... A61H 7/003; A61H 7/007; A61H 15/00  
See application file for complete search history.

(56) **References Cited**

**U.S. PATENT DOCUMENTS**

D457,643 S \* 5/2002 Qi ..... D24/214  
 D608,897 S \* 1/2010 Cole ..... D24/200  
 D611,159 S \* 3/2010 Cole ..... D24/200  
 D620,597 S \* 7/2010 Cole ..... D24/200  
 D638,132 S \* 5/2011 Cole ..... D24/200  
 D656,621 S \* 3/2012 Matsushita ..... D24/215  
 D666,304 S \* 8/2012 Matsushita ..... D24/215  
 D668,771 S \* 10/2012 Matsushita ..... D24/211  
 D669,998 S \* 10/2012 Matsushita ..... D24/215  
 D674,500 S \* 1/2013 Matsushita ..... D24/211

(Continued)

*Primary Examiner* — Cynthia Ramirez  
*Assistant Examiner* — Michael A Maharajh

(57) **CLAIM**

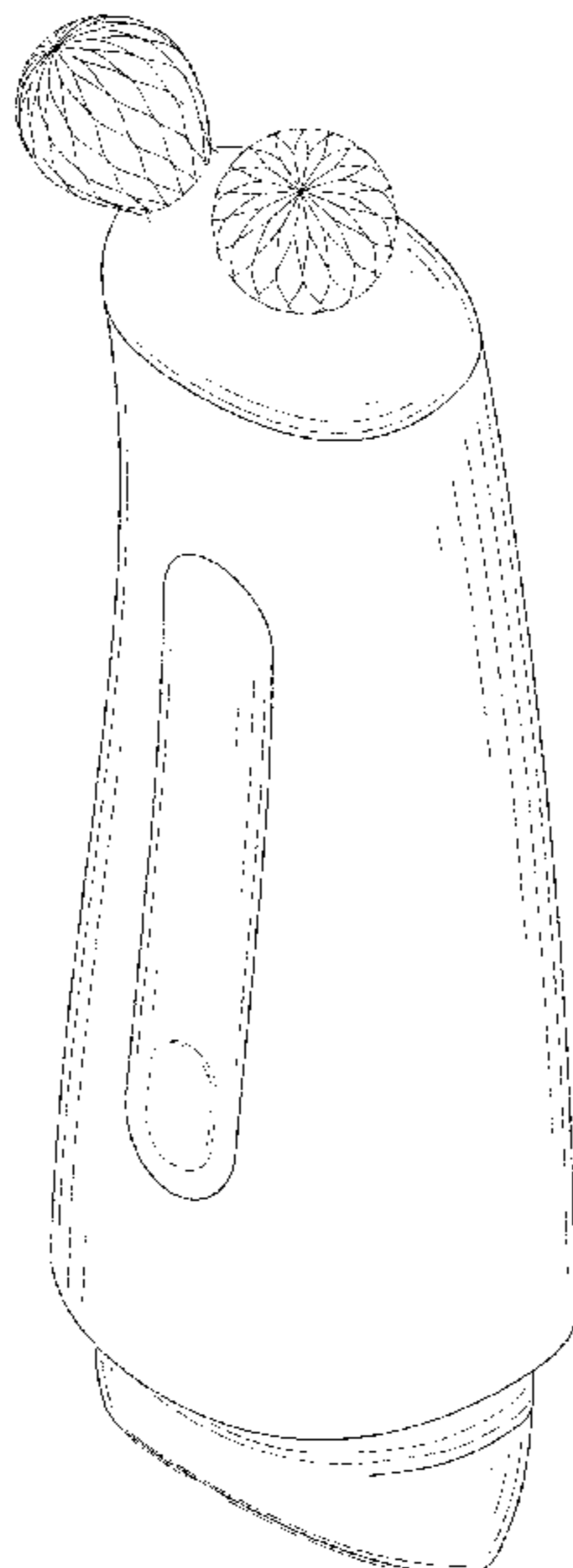
The ornamental design for a skin care apparatus, as shown and described.

**DESCRIPTION**

FIG. 1 is a perspective view of a skin care apparatus showing my new design;  
 FIG. 2 is another perspective view thereof;  
 FIG. 3 is a front elevational view thereof;  
 FIG. 4 is a rear elevational view thereof;  
 FIG. 5 is a left side elevational view thereof;  
 FIG. 6 is a right side elevational view thereof;  
 FIG. 7 is a top plan view thereof;  
 FIG. 8 is a bottom plan view thereof;  
 FIG. 9 is another top perspective view thereof; and,  
 FIG. 10 is a bottom perspective view thereof.

The broken lines in the drawings are for the purpose of illustrating portions of the skin care apparatus which form no part of the claimed design. The top lid and charging bottom cap shown in broken lines in FIGS. 9 and 10 are to show environment which form no part of the claimed design.

**1 Claim, 10 Drawing Sheets**



(56)

**References Cited**

U.S. PATENT DOCUMENTS

D872,294 S *	1/2020	Yu .....	D24/214
D887,572 S *	6/2020	Matsushita .....	D24/211
2014/0288473 A1 *	9/2014	Matsushita .....	A61H 15/00 601/137
2018/0116903 A1 *	5/2018	Matsushita .....	A61H 15/00
2019/0008718 A1 *	1/2019	Matsushita .....	A61H 15/0092

\* cited by examiner

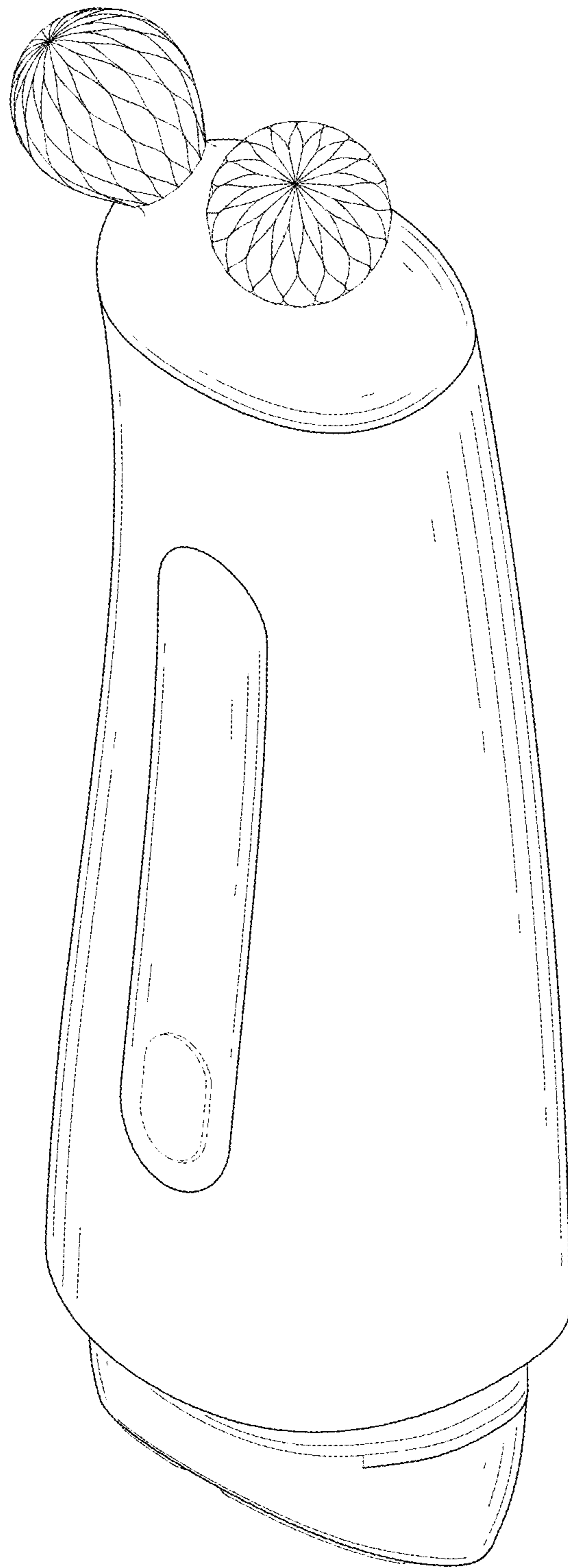


FIG. 1

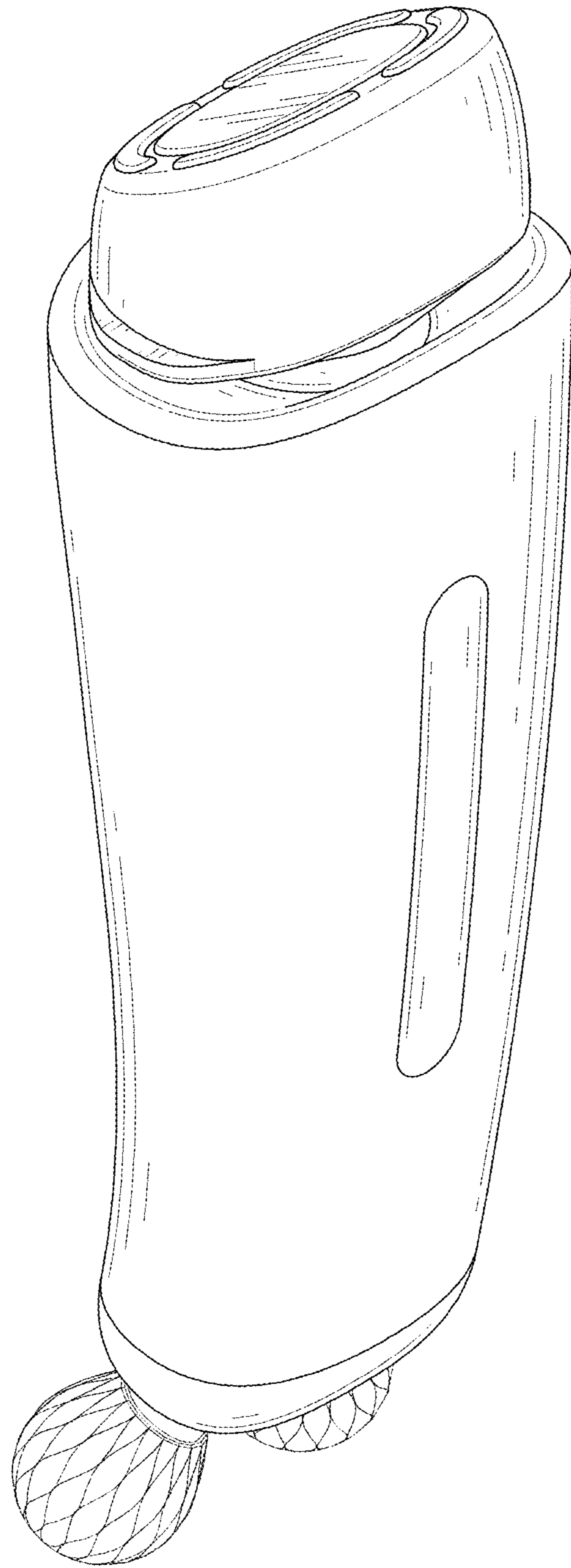


FIG. 2

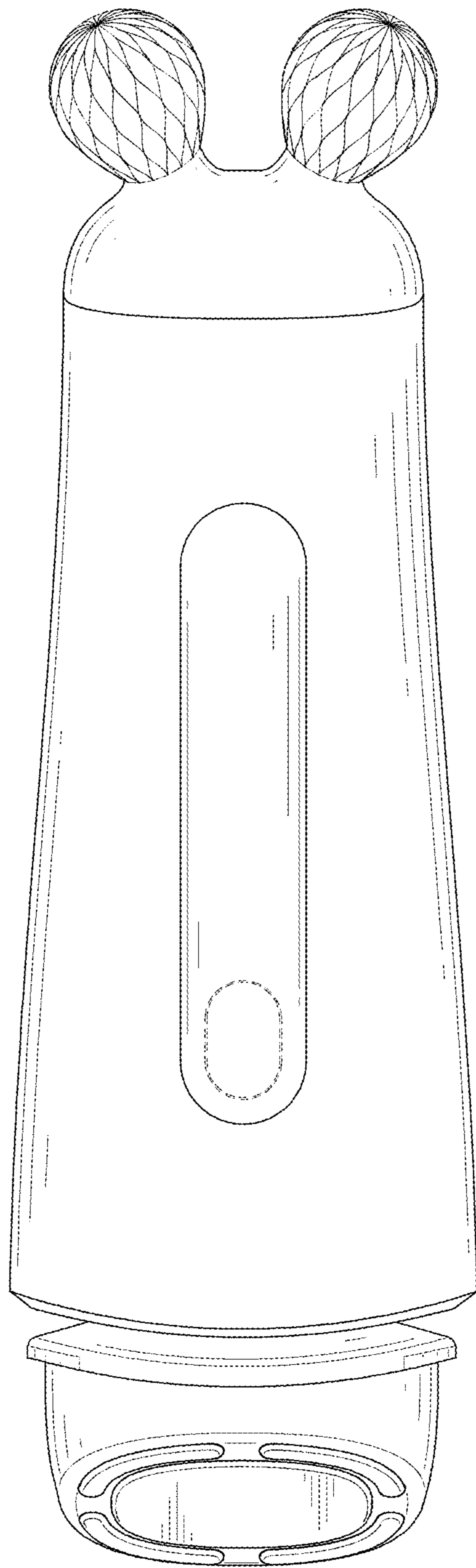


FIG. 3

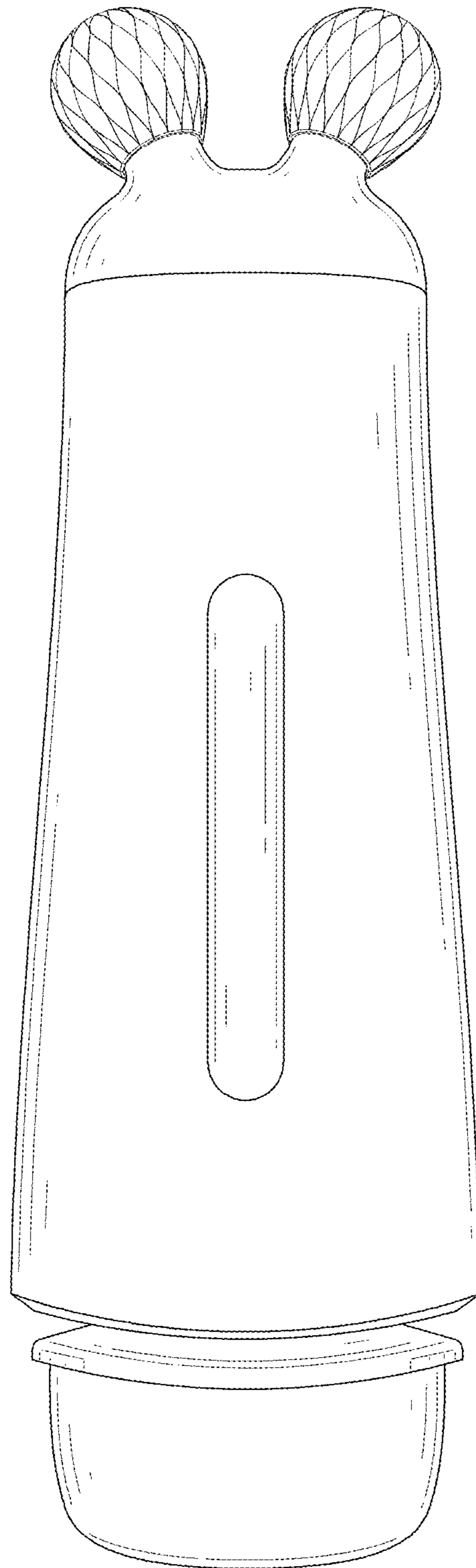


FIG. 4

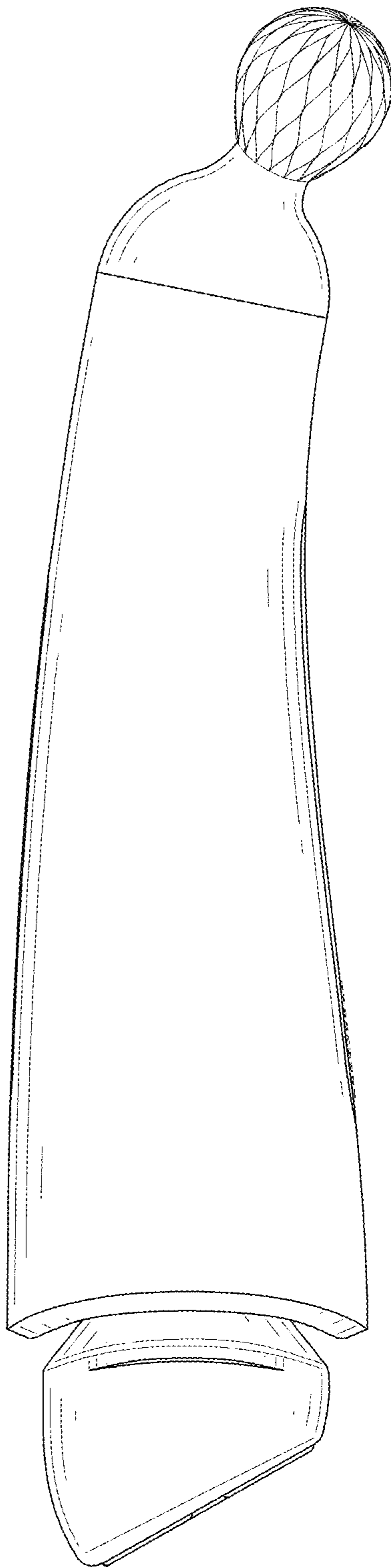


FIG. 5

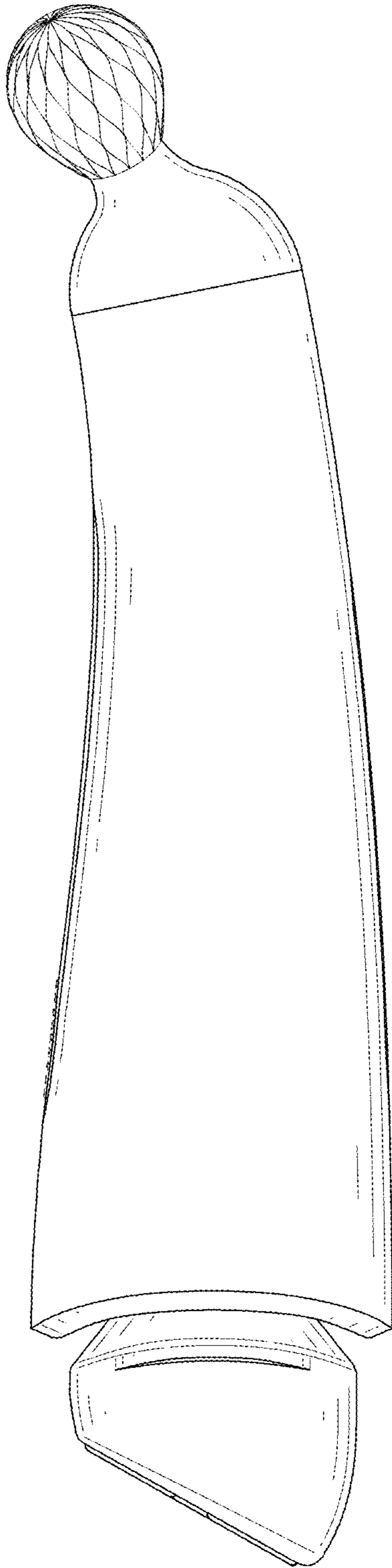


FIG. 6



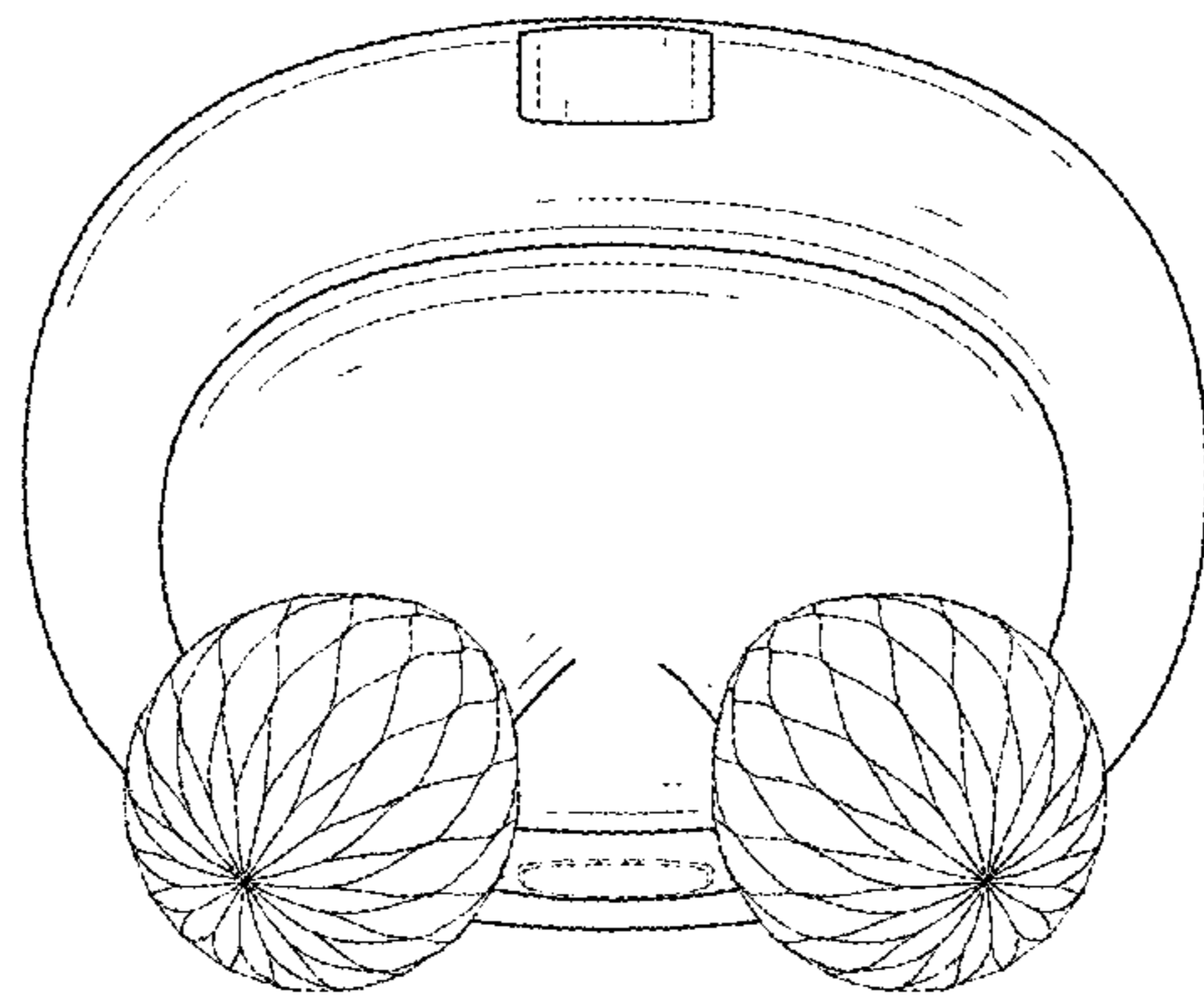


FIG. 7

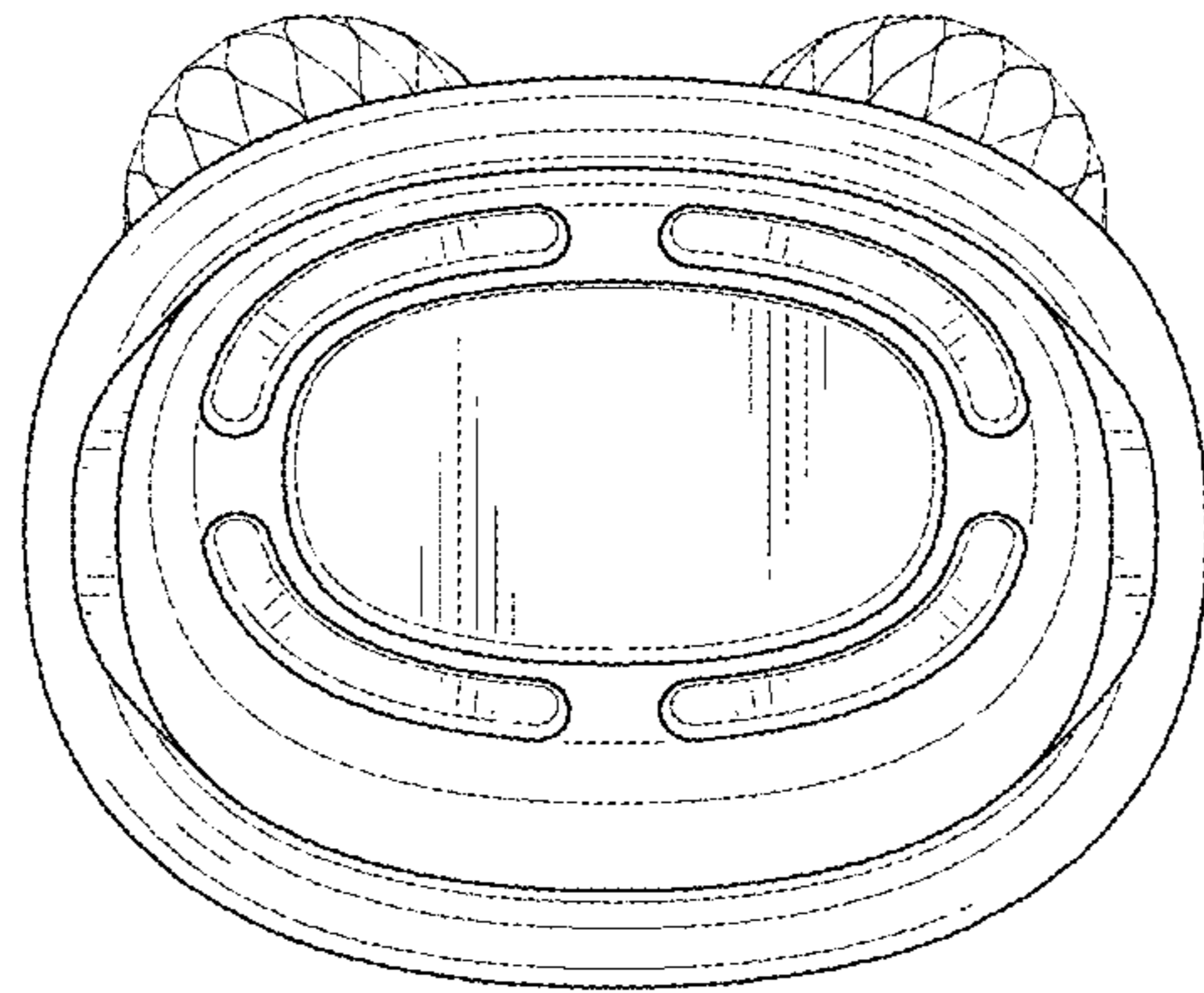


FIG. 8

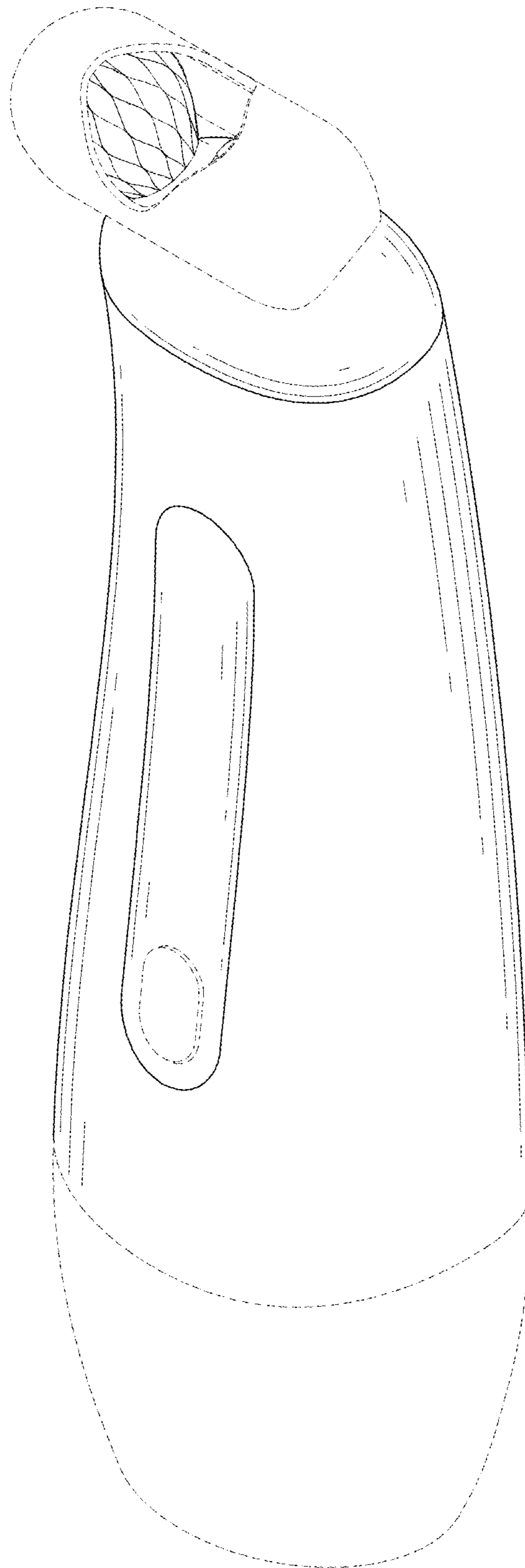


FIG. 9

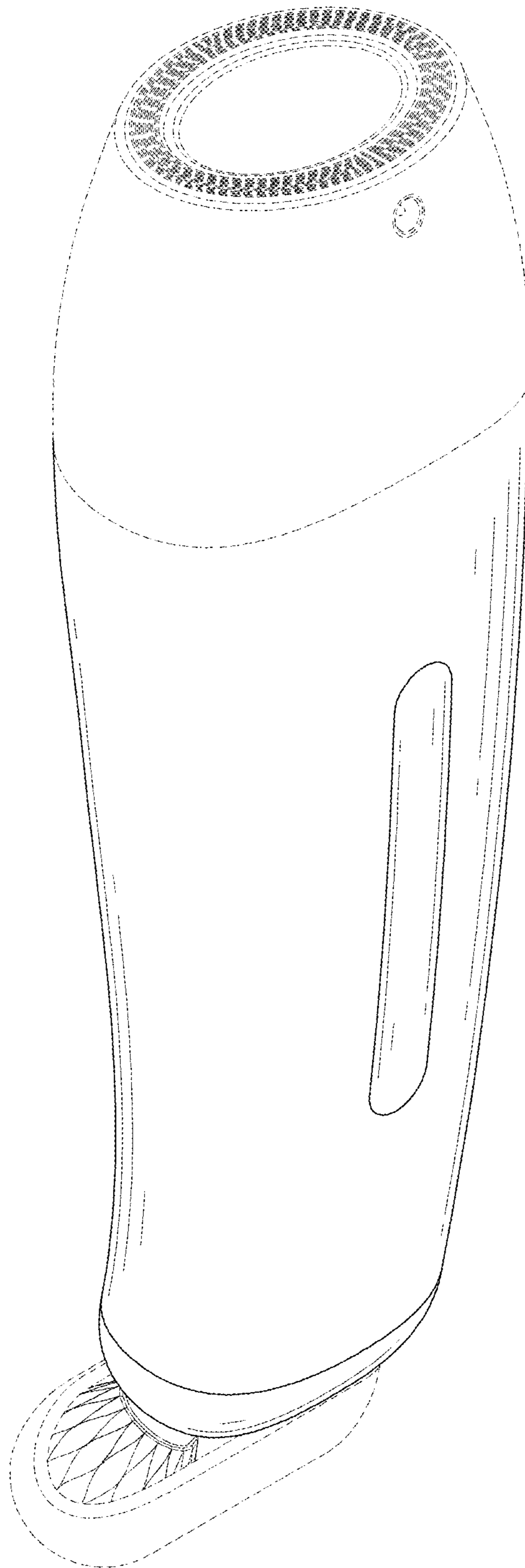


FIG. 10